

SIEMENS
Ingenuity for Life

Type VBII Visible Blade Disconnect Switches

Product Guide

Description

Siemens Type VBII visible blade disconnect switches meet either UL98 or UL1741 requirements and can be used in either service entrance or branch circuit applications. 30-600A, 3-pole switches are offered in both fusible and non-fusible versions. They are rated 240V AC or 600V AC or DC max. All are load break rated. All 240 and 600V AC switches are also horsepower rated. Fusible switches are factory supplied with Class H fuse provisions and can be field converted to accept Class R fuses only. 600V fusible switches can also be easily converted to accept Class J fuses.

All have flange mounted operating handles rated for Type 1, 3R, 4X, or 12 applications.

Panel mounted switches allow for variable depth with either rigid shaft drive in all ratings or with cable drive in 30-200A ratings. Labor saving flange mounted switch assemblies are also available in 30-200A ratings.

240 and 600V AC disconnects are UL recognized under file number E121152, Vol. 3 and CSA certified under file number 154852.

600V DC disconnects are specifically designed for photovoltaic applications. They are UL recognized under file number E 335018, Vol. 3 and are rated to switch three separate 600V DC circuits with a single 3 pole switch.

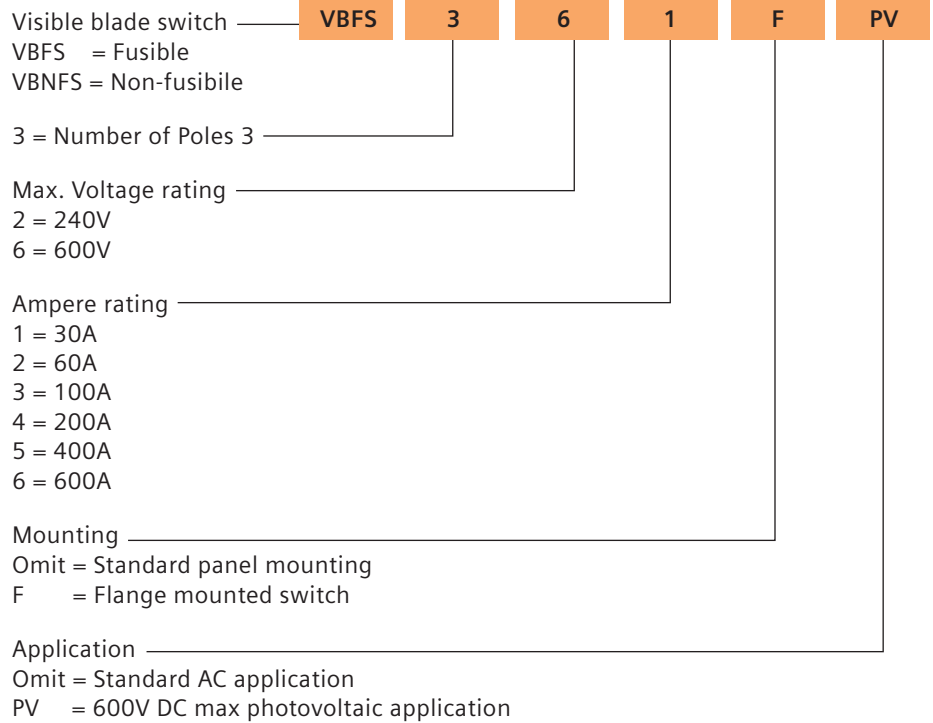


Type VBII Disconnect Switches

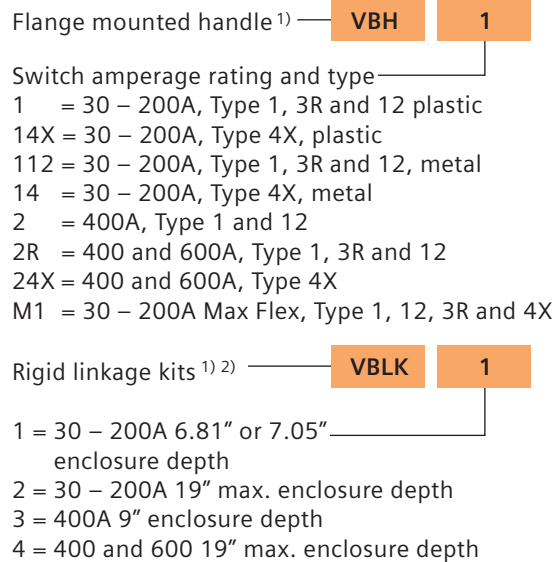
30 – 600A, fusible and non-fusible

Catalog numbering system	2
Features	3
Ordering information	3
Switch selection	4
Handle and linkage kit selection	4
Accessories selection	5-6
UL and CSA characteristics	7
Crimp lug application data	8
Lug wire ranges switch dimensions	9
Handle mounting and cutout dimensions	10-11
Replacement parts	12

Catalog numbering system for switch assemblies



Catalog numbering system for operating handles and linkage kits



1) Supplied as standard on flange mounted switches.

2) Use cable kit in lieu of rigid linkage kit for Max-Flex operated switches.

Type VBII Disconnect Switches

30 – 600A, with flange mounted operating handle

Features

- 30-600A, 600VAC and DC ratings
- Both fusible and non-fusible switch assemblies are available
- 240 and 600V AC switches are suitable for both main and branch circuit applications
- UL Recognized and CSA Certified
- Visible blade quick-make and break switching action
- Panel and flange mounted assemblies facilitate installation
- Panel mounted switches are variable depth
- AC short circuit rating of 10,000 AIC with class H fuse, and of 200,000 AIC with Class R or J fuses
- 600V DC switches are UL recognized in file # E335018, Vol. 3 and have a short circuit rating of 10,000 AIC with Class K, J or R fuses
- Flange mounted handles with Type 1, 12, 3R and 4X ratings are padlockable in the OFF position with up to (3) padlocks with 5/16 hasps
- Meets NFPA79 requirements
- A complete line of auxiliary contacts are available
- Load break and horsepower rated
- Defeatable cover interlock standard with all handles
- Line and load lugs supplied as standard



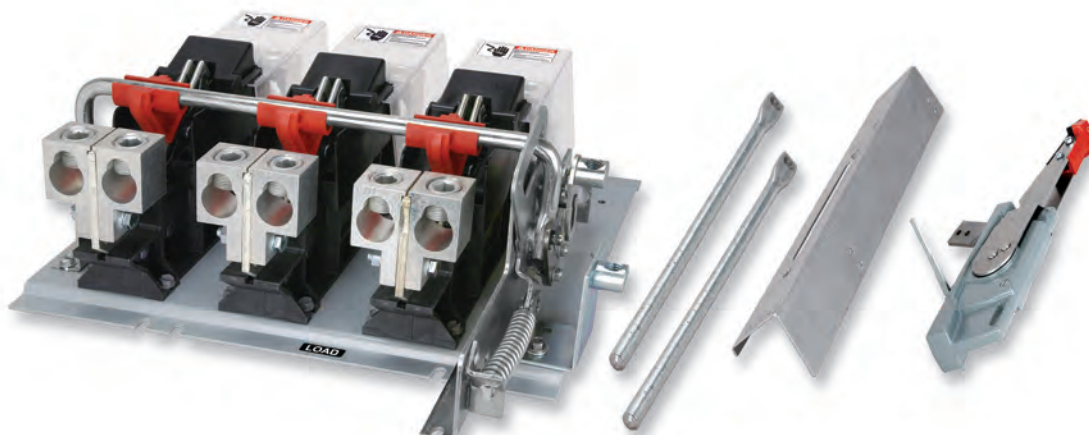
VBFS361, VBLK1 and VBH1



VBFS363F

Ordering Information

1. Determine the ratings required (amps, volts, HP, fusible, non-fusible), the mounting needed (panel or flange), and select the appropriate switch.
2. For panel mounted switches with a rigid operating shaft (30–600A), order panel mounted switch, flange mounted operating handle and rigid linkage kit based on depth required and NEMA Type (1, 12, 3R or 4X) handle required.
3. For panel mounted switches with a Max-Flex operator, order panel mounted switch, Max-Flex handle and adapter kit and drive cable.
4. Select accessories if required.



VBNFS366, VBLK4 and VBH2R

Type VBII Disconnect Switches Switch, handle and linkage kit selection

Switches – For standard AC and DC applications

Switch ampere rating	Max. AC voltage rating	Catalog number	3 phase horsepower ratings ¹⁾						600 volts DC (max) ¹⁾
			240 volts AC		480 volts AC		600 volts AC		
			Standard	Max	Standard	Max	Standard	Max	
Fusible panel mounted variable depth switches – 3 pole ²⁾									
30	240	VBFS321	3	7 1/2	—	—	—	—	— ³⁾
60	240	VBFS322	7 1/2	15	—	—	—	— ⁴⁾	
30	600	VBFS361	—	—	5	15	7 1/2	20	15 ⁵⁾
60	600	VBFS362	—	—	15	30	15	50	30 ⁵⁾
100	600	VBFS363	—	—	25	60	30	75	50 ⁵⁾
200	600	VBFS364	—	—	50	125	60	150	50
400	600	VBFS365	—	—	100	250	125	350	— ⁷⁾
600	600	VBFS366	—	—	150	400	200	500	— ⁷⁾
Non-fusible panel mounted variable depth switches – 3 pole ²⁾									
30	600	VBNFS361	—	10	—	20	—	30	15 ⁵⁾
60	600	VBNFS362	—	20	—	50	—	60	30 ⁵⁾
100	600	VBNFS363	—	40	—	75	—	100	50 ⁵⁾
200	600	VBNFS364	—	60	—	125	—	150	50
400	600	VBNFS365	—	125	—	250	—	350	— ⁷⁾
600	600	VBNFS366	—	200	—	400	—	500	— ⁷⁾
Fusible flange mounted switches – 3 pole (includes Type 1, 3R & 12 Rated operating handle) ⁶⁾									
30	240	VBFS321F	3	7 1/2	—	—	—	—	— ³⁾
60	240	VBFS322F	7 1/2	15	—	—	—	—	— ⁴⁾
30	600	VBFS361F	—	—	5	15	7 1/2	20	15 ⁵⁾
60	600	VBFS362F	—	—	15	30	15	50	30 ⁵⁾
100	600	VBFS363F	—	—	60	60	30	75	50 ⁵⁾
200	600	VBFS364F	—	—	100	125	60	150	50
Non-fusible flange mounted switches – 3 Pole (includes Type 1, 3R & 12 rated operating handle) ⁶⁾									
30	600	VBNFS361F	—	10	—	20	—	30	15 ⁵⁾
60	600	VBNFS362F	—	20	—	50	—	60	30 ⁵⁾
100	600	VBNFS363F	—	40	—	75	—	100	50 ⁵⁾
200	600	VBNFS364F	—	30	—	125	—	140	50

Switches – For photovoltaic applications, 600V DC max. ⁸⁾

Switch ampere rating	Catalog number	Rated Isc per NEC Article 690
Fusible panel mounted variable depth switches – 3 pole ²⁾		
30	VBFS361PV	19.2A
60	VBFS362PV	38.4A
100	VBFS363PV	64.0A
Non-Fusible panel mounted variable depth switches – 3 pole ²⁾		
30	VBNFS361PV	24.0A
60	VBNFS362PV	48.0A
100	VBNFS363PV	80.0A
Fusible flange mounted variable depth switches – 3 pole (includes Type 1, 3R and 12 rated operating handle) ⁶⁾		
30	VBFS361FPV	19.2A
60	VBFS362FPV	38.4A
100	VBFS363FPV	64.0A
Non-fusible flange mounted variable depth switches -3 pole (includes Type 1, 3R and 12 rated operating handle) ⁶⁾		
30	VBNFS361FPV	24.0A
60	VBNFS362FPV	48.0A
100	VBNFS363FPV	80.0A

Note: Fusible switches include fuse provisions for class H fuses. The load base can be moved to pre-drilled holes for class J fuses. If Class R fuses are required, add a Class R fuse clip kit.

1) Std. – applies when non-time delay fuses are used. Max. – applies when time delay fuses are used.

2) Includes line base, load base, operating mechanism and line and load lugs. Select operating handle and linkage kits from tables on this page.

3) Rated 5 HP at 250V DC.

4) Rated 10 HP at 250V DC.

Flange mounted operating handle

For use with panel mounted switches. Plastic handle included with flange mounted switches as standard.

Catalog number	Handle assembly description
Plastic handles	
VBH1	30-200A Type 1, 3R & 12
VBH14X	30-200A Type 4X
Metal handles	
VBH112	30-200A Type 1, 3R & 12
VBH14	30-200A Type 4X
VBH2	400A Type 1 & 12
VBH2R	400 & 600A Type 1, 3R & 12
VBH24X	400 & 600A Type 4X

Max Flex™ handle and adapter kit

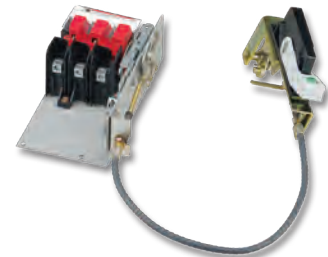
(Type 1, 12, 3R and 4X) Use with 30–200A panel mounted switches and cable kit.

Catalog number	Description
VBHM1	30 - 200A Max-Flex adapter kit

Cable kit

For use with 30-200A panel mounted switches and Max-Flex handle and adapter kit.

Catalog number	Description
FHOECO36	36" long drive cable
FHOECO48	48" long drive cable



VBNFS361, VBHM1 and FHOECO36

Rigid linkage kits

For use with panel mounted switches. Not required for flange mounted switches

Catalog number	Switch ampere rating	Enclosure depth ⁹⁾	
		Min.	Max.
VBLK1	30-200	6.81 ¹⁰⁾	6.81 ¹⁰⁾
VBLK2	30-200	6.81	19.0
VBLK3	400	9.0	9.0
VBLK4	400 & 600	9.0	19.0

5) 600V DC voltage and 600 V DC horsepower rating shown requires (2) poles to be connected in series.

6) Includes line base, load base, operating mechanism, line and load lugs, operating handle and required linkage.

7) Rated 250 DC max.

8) All photovoltaic switches are rated to be used with three separate 600V DC circuits.

9) Dimensions (min and max) from enclosure mounting pan to outside surface of enclosure handle mounting flange.

10) 7.05 for 200A switches.

Type VBII Disconnect Switches Accessories

Class R fuse clip kits

These kits prevent the installation of Class H and K fuses (one kit required per switch).

Catalog number	Description
HR21	30A, 240V kit (HD only)
HR612	30A, 600V kit/60A, 240V kit
HR62	60A, 600V kit
HR63	100A kit
HR64	200A kit
HR656	400A/600A kit

200% neutral kits

UL listed 200%, neutrals are available for 100 and 200A switches. They are typically used with non-linear transformers or where increased neutral ampacity/lug capacity is required.

Switch ampere rating	Kit catalog number	Wire range line and load lugs (Cu/Al)
100	HN263	(2) #14 – 1/0 AWG
200	HN264	(2) #6 AWG – 300 Kcmil

Class J fuse provisions

All 30-600A, 600V fusible switches are field convertible to accept Class J fuses by moving the load base to a pre-drilled J fuse position.

Class T fuse adapter kits

100-600A fusible switches are field convertible to accept Class T fuses. 400-600A switches are field convertible to accept Class T fuses by moving the load base to a pre-drilled fuse position.

Class T fuse adapter kits¹⁾

Catalog number	Description
HT23	100A, 240V kit
HT63	100A, 600V kit
HT24	200A, 240V kit
HT64	200A, 600V kit

■ Built to order. Allow 6-8 weeks for delivery.
1) One kit per pole required.

UL neutral kits

Standard neutral kits can be field installed in 30-100A switches.

Switch ampere rating	Kit catalog number
30A, 600V, 60A 240V	HN612
60A, 600V and 100A	HN63

Window kits (Type 1, 12, 3R and 4X)

Allows viewing of visible blades and of indicating fuses through 200A.

Catalog Number	Description
VBWK1	30A window kit
VBKW2	60 and 100A window kit
VBWK3	200-600A window kit



HR612



HT63



HN612

Type VBII Disconnect Switches Accessories



HA161234



HA261234



HP61



HLC612

Auxiliary contacts

The auxiliary contacts are available in one normally open and one normally closed or two normally open and two normally closed configurations. Siemens offers a PLC Auxiliary Switch (30-200A) that has very low resistance for low voltage and current typical in PLC circuits. Auxiliary contacts make after and break before main switch contacts.

Switch ampere rating	Aux. switch catalog number	Kit ampere rating			Kit horsepower rating		
		125V AC Max.	250V AC Max.	28V DC Max.	125V AC Max.	250V AC Max.	28V DC Max.
With 1 NO and 1 NC isolated contacts							
30-200	HA161234	10	10	—	1/2	3/4	—
400-600	HA165678	10	10	—	1/2	3/4	—
With 2 NO and 2 NC isolated contacts							
30-200	HA261234	10	10	7	1/2	3/4	—
400-600	HA265678	10	10	7	1/2	3/4	—
Low current PLC type with 1 NO and 1 NC gold plated contacts							
30-200	HA361234	10	10	—	1/2	3/4	—
400-600	HA365678	10	10	—	1/2	3/4	—

Internal door latch kits

For use with enclosures with door mounted latching bar. Required when a flange mounted switch is mounted in a Hoffmann or Rittal enclosure provided with an AB cutout.

Catalog number	Description
DKR2	2 point (For use with enclosures less than 40" high)
DKR3	3 point (For use with enclosures 40" or larger in height)

Fuse puller kits

Fuse puller kits are field installable in 30 – 100A switches (one kit is required per 3-pole switch).

Switch ampere rating	Fuse puller kit catalog number
30	HP61
60	HP62 ■
100	HP63 ■

Copper lug kits

All switches are UL approved to accept field installed copper lug kits.

Switch ampere Rating	Copper lug catalog number	Description
30-60	HLC612	(9) Lugs/kit #14 – 4 AWG Cu
100	HLC63 ■	(9) Lugs/kit #14 – 1/0 AWG Cu
200	HLC64 ■	(9) Lugs/kit #6 AWG – 300 Kcmil Cu
400 – 600A	HLC65678	(1) Lugs/kit #1/0 AWG – 600 Kcmil Cu

Equipment ground kits

Equipment ground lug kits are available for all switches.

Switch ampere Rating	Catalog number	Number of terminals	Wire range per terminal (Cu/Al)
30-200	HG61234	2	#14-4 AWG Cu
400 and 600	HG656	4	#14 – 2/0 AWG

■ Built to order. Allow 6 -8 weeks for delivery.

Type VBII Disconnect Switches

Technical characteristics

UL and CSA technical characteristics

Short circuit and horsepower ratings detailed below do not apply to photovoltaic 600V DC switches. PV switches are rated 10kA at 600V DC when protected by class K, J or R fuses rated 600V DC.

Description	Switch ampere rating						
	30	60	100	200	400	600	
AC short circuit rating ¹⁾							
with Class H fuses	10kA	10kA	10kA	10kA	10kA	10kA	
with Class R or J fuses	200kA	200kA	200kA	200kA	200kA	200kA	
with Class T fuses	—	—	200kA	200kA	200kA	200kA	
Maximum horsepower rating ²⁾							
Fusible switches							
240V AC	7.5	15	30	60	125	200	
480V AC	15	30	60	125	250	400	
600V AC	20	50	75	150	350	500	
600V DC	15 ³⁾	30 ³⁾	50 ³⁾	50	— ⁶⁾	— ⁶⁾	
Non-fusible switches ²⁾							
240V AC	10	20	40	60	125	200	
480V AC	20	50	75	125	250	400	
600V AC	30	60	100	150	350	500	
600V DC	15 ³⁾	30 ³⁾	50 ³⁾	50	— ⁶⁾	— ⁶⁾	
Electrical endurance	6000	6000	6000	6000	1000	1000	
Mechanical endurance	10000	10000	10000	8000	6000	5000	
Recommended minimum outside enclosure dimension (inches) (May not meet UL side gutter space requirements when maximum wire size is used or when a neutral is required.)							
Fusible	Height	14.38	16.38	22.00	30.00	56.00	56.00
	Width	8.44	9.68	9.68	14.62	24.65	24.65
	Depth ⁴⁾	7.00	7.00	7.00	7.25	9.25	9.25
Non-Fusible	Height	13.25 ⁵⁾	16.38	22.00	30.00	44.00	44.00
	Width	8.44	9.68	9.68	14.62	24.65	24.64
	Depth ⁴⁾	7.00	7.00	7.00	7.25	9.25	9.25

Enclosure compatibility

Siemens Type VBII disconnects in 30 – 200A ratings are designed to mount in certain Hoffman and Rittal disconnect enclosures with no modification to the handle cutout provided in the enclosure as follows.

Panel mounted 30 – 200A disconnects

Hoffman (Catalog numbers starting with)	Rittal (Catalog numbers starting with)
Type 12, A __SA ⁷⁾	Type 12, E __SA ⁷⁾
Type 12, A __X ⁹⁾ Type 4, A __HS	Type 4, E __HS
Wall mount, C – DSC ⁹⁾	

Flange mounted 30 – 200A disconnects

Hoffman (Catalog numbers starting with)	Rittal (Catalog numbers starting with)
Type 12, A __AB ⁷⁾	Type 12, E __AB ⁷⁾
Type 12, A __SA ⁷⁾ ⁸⁾	Type 12, E __SA ⁷⁾ ⁸⁾
Wall mount, C – DSC ⁸⁾	

Note: These tables above provide a partial listing. Additional enclosures are available which provide a handle cut-out that is compatible with 30 – 200A VB disconnects.

- 1) Ratings apply to fusible switches and also to non-fusible switches when protected by fuses. Non-fusible switches are also rated 10kA when protected by a circuit breaker. The ampere rating of a CB or fuses protecting a non-fusible switch must not exceed the switch ampere rating.
- 2) All AC horsepower ratings shown are for 3-phase motor loads.

- 3) 600V DC horsepower rating shown requires (2) poles to be connected in series.
- 4) Mounting pan to inside surface of handle mounting flange.
- 5) 11.25 for panel mounted switch catalog number VBNFS361.
- 6) Rated 250V DC max.
- 7) Requires internal door latch kit DKR2 or DKR3.
- 8) Requires handle to be removed to install.
- 9) Requires Hoffman supplied universal adapter kit.

Type VBII Disconnect Switches

Crimp and lug wire range application data

All VBII disconnect switches are UL approved to accept the following field installed compression lugs.

Switch setting	Wire size	Burndy		Thomas-Betts				IlSCO			
		Cu only	Cu/Al	Cu only		Cu/Al		CU only		Cu/Al	
30A	#14 – 10						60096 60097				
	#8	YA8C-L Box YA8C-L1 Box		54104 54130		60101 60102 61102		CRA-8		ACL-8 ACN-8	
	#6					61107					
60A	#8	YA8C-L1 Box YA8C-TC14	YA8CA3	54130 54930BE		60102 61102					ACL-8
	#6	YA6C-L Box YA6C	YA6CA1	54105 54905BE		60107 61107		CRB-6 CRB-6L		ACL-6	
	#4			54106		61112		CRB-4			
100A	#4	YA4C-L Box YA4C	YA4CA1	54106 54906BE		61112 60112		CRB-4 CRB-4L		ACL-4	
	#2	YA2C-L2 Box YA2C	YA2CA5	54107		61116		CRB-2 CRB-2L		ACL-2	
	#1	YA1C-L2 YA1C	—	54108 54947BE		61122		CRBB-1-14 CRA-1L		—	
	1/0	—	—	—		61130		—		—	
200A	#2	YA2C-L Box YA2C	YA2CA1	54142-TB		60117		CRB-2 CRB-2L		IACL-2 ACN-2	
	#1	YA1C-L Box YA1C	YA1CA1	54147 54947BE		60123		CRA-1-38 CRA-1L		ACN-1	
	1/0	YA25-L Box YA25	YA25A1	54153-TB 54949BE		60129 61130		CRA-0 CRA-1/0L		IACL-1/0 ACN-1-0	
	2/0	YA26-L3 YA26	YA26A6	54158 54910BE 256-30695-1229		60135 61136		CRA-2/0 CRA-2/0L		ACL-2/0 IACL-2/0	
	3/0	YA27-L3 YA27	YA27A1	54163-TB		60141 61142		CRC-3/0 CRB-3/0L		IACL-3/0 ACL-3/0	
	4/0	YA28-L3 YA28-TC38	YA28A1	54168 256-30695-1253		61148 60147		CRC-4/0 CRB-4/0L		IACL-4/0 ACL-4/0	
	250 Kcmil	YA29-L7	—	54173 54913BE		61156		CRA-250 CRA-250L		IACL-250	
	300 Kcmil	—	—	—		61162		—		—	
400 & 600	2/0	YA26-N	YA26-A1	54160 54951BE		—		—		IACL-2/0 ACN-2/0	
	3/0	YA27-L Box YA27	YA27A3	54165-TB 54965BE		—		CRB-3/0 CRB-3/0L		IACL-3/0 ACN-3/0	
	4/0	YA28-L Box YA28	YA28A3	54170 54970BE		60150		CRB-4/0 CRB-4/0L		IACL-4/0 ACN-4/0	
	250 Kcmil	YA29-L Box YA29	YA29A1	54113 54913BE		61156 60156		CRA-250 CRA-250L		IACL-250 ACL-250	
	300 Kcmil	YA30-L YA30	YA30A1	54414 54914BE		61162 60162		CRA-300 CRA-300L		IACL-300 ACL-300	
	350 Kcmil	YA31-L YA31	YA31A1	54915BE		61165 60165		CRA-350 CRA-350L		IACL-350 —	
	400 Kcmil	YA32-N	—	54116 54916BE		—		—		—	
	500 Kcmil	YA34-L6 YA34-N	—	—		61171		—		IACL-500	

Lugs

30 and 60A switches are suitable for use with 60° or 75°C wire.

100-600A switches are suitable for use with 75°C rated wire.

Wire ranges (Line, load and standard neutral)

Switch ampere rating	UL approved wire range	Lug wire range
30	#14 – 6 AWG (Cu/Al)	#14 – 2 AWG (Cu/Al)
60	#14 – 2 AWG (Cu/Al)	#14 – 2 AWG (Cu/Al)
100	#14 – 1/0 AWG (Cu/Al)	#14 – 1/0 AWG (Cu/Al)
200	#6 AWG 300 Kcmil (Cu/Al)	#6 AWG-300 Kcmil (Cu/Al)
400	1/0 AWG-300 Kcmil (Cu/Al) or (2) 1/0 AWG-250 Kcmil (Cu/Al)	(1) 1/0 AWG – 750 Kcmil (Cu/Al) or (2) 1/0 AWG – 250 Kcmil (Cu/Al)
600	(2) 1/0 AWG-750 Kcmil (Cu/Al) or (4) 1/0 – 250 Kcmil (Cu/Al)	(2) 1/0 AWG – 750 Kcmil (Cu/Al) or (4) 1/0 AWG – 250 Kcmil (Cu/Al)

Type VBII Disconnect Switches

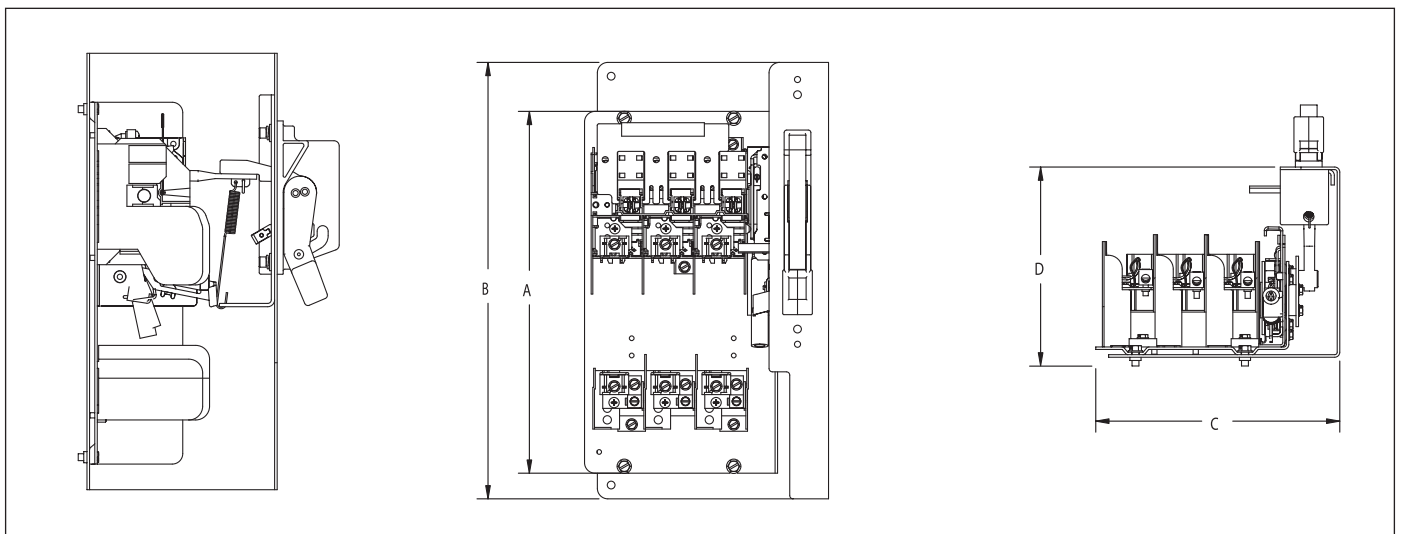
Dimensions

Approximate dimensions

Mounting bracket shown with handle installed is supplied with flange mounted switches only. All panel mounted switches have a "L" shaped mounting pan with a line base, load base (if fusible) and mechanism installed.

Catalog number	Dimensions				
	A	B	C 1)	D (min)	D (max)
Fusible, panel mounted					
VBFS321	11.88	N/A	7.27	6.81	19.00
VBFS322	13.12	N/A	8.65	6.81	19.00
VBFS361 & VBFS361PV	11.88	N/A	7.27	6.81	19.00
VBFS362 & VBFS362PV	13.12	N/A	8.65	6.81	19.00
VBFS363 & VBFS363PV	13.12	N/A	8.65	6.81	19.00
VBFS364	17.00	N/A	14.49	7.05	19.00
VBFS365	26.10	N/A	17.50	8.63	19.00
VBFS366	26.10	N/A	17.50	8.63	19.00
Non-Fusible, panel mounted					
VBNFS361 & VBNFS361PV	9.79	N/A	7.27	6.81	19.00
VBNFS362 & VBNFS362PV	9.79	N/A	8.65	6.81	19.00
VBNFS363 & VBNFS363PV	9.79	N/A	8.65	6.81	19.00
VBNFS364	10.77	N/A	12.49	7.05	19.00
VBNFS365	13.00	N/A	17.50	8.63	19.00
VBNFS366	13.00	N/A	17.50	8.63	19.00
Fusible, flange mounted					
VBFS321F	11.88	14.07	7.47	7.27	N/A
VBFS322F	13.12	15.83	8.85	7.27	N/A
VBFS361F & VBFS361FPV	11.88	14.07	7.47	7.27	N/A
VBFS362F & VBFS362FPV	13.12	15.83	8.85	7.27	N/A
VBFS363F & VBNFS363FPV	13.12	15.83	8.85	7.27	N/A
VBFS364F	17.00	18.20	12.68	7.57	N/A
Non-Fusible, flange mounted					
VBNFS361F & VBNFS361FPV	9.79	11.78	7.47	7.27	N/A
VBNFS362F & VBNFS362FPV	9.79	11.78	8.85	7.27	N/A
VBNFS363F & VBNFS363FPV	9.79	11.78	8.85	7.27	N/A
VBNFS364F	10.77	12.00	12.68	7.57	N/A

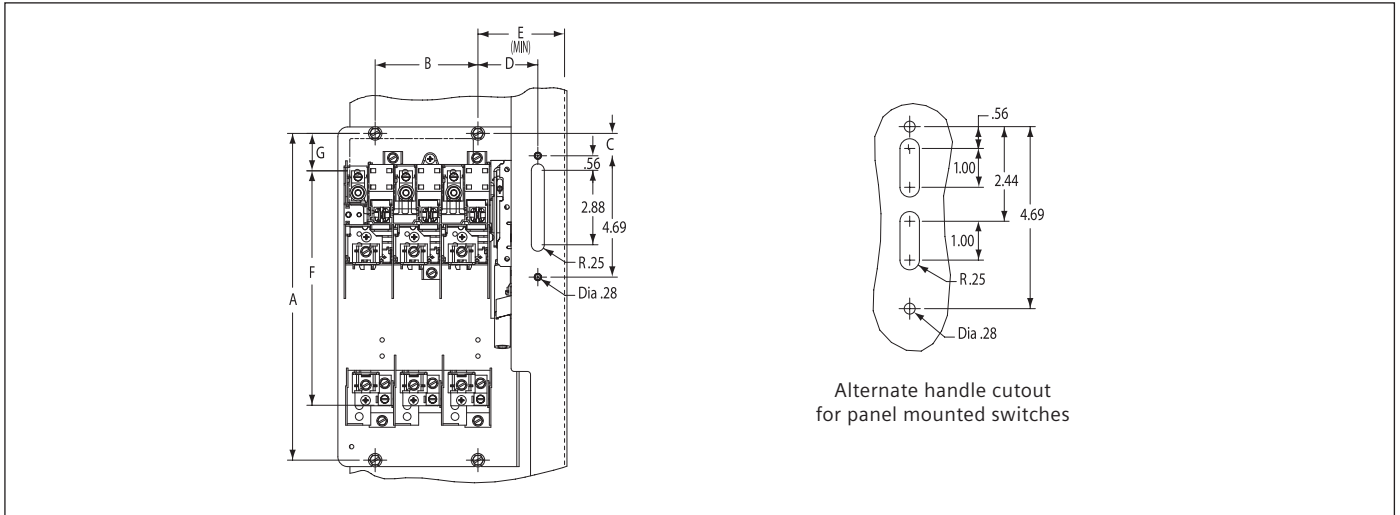
1) Dimension C for panel mounted switches indicates the minimum width from the left hand edge of the switch mounting pan to the right hand inside surface of the enclosure.



Type VBII Disconnect Switches

Dimensions – Mounting, handle and handle cutouts

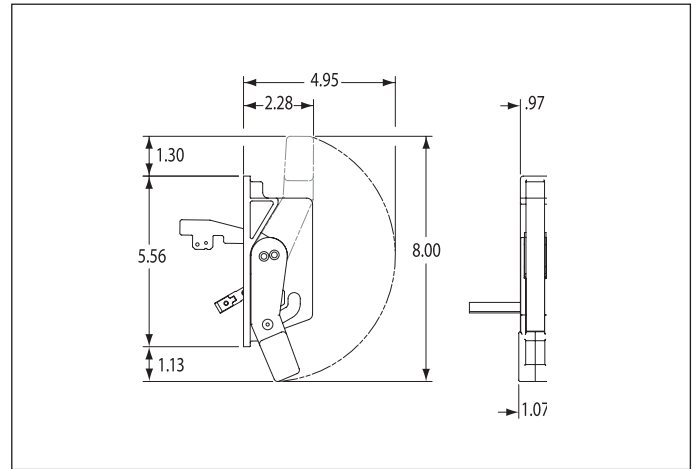
Flange cutout for VBH1 and VBN14X handles and relative location to panel mounted 30-200A switches



For 30 – 200A panel mounted switches 1)

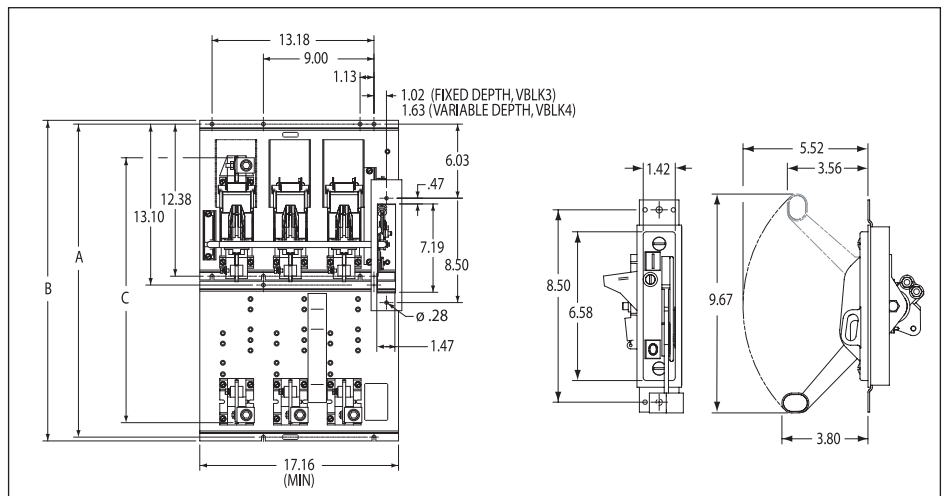
Ampere rating	Dimensions (inches)						
	A	B	C 1)	D	E	F	G
Fusible – 240V							
30	11.38	2.50	.86	2.31	3.35	5.79	1.20
60	12.62	3.97	.86	2.31	3.35	6.56	1.44
Fusible – 600V							
30	11.38	2.50	.86	2.31	3.35	8.54	1.20
60	12.62	3.97	.86	2.31	3.35	9.06	1.44
100	12.62	3.97	.86	2.31	3.35	9.61	1.30
200	16.50	6.50	1.75	2.26	3.29	14.25	1.15
Non-fusible							
30	9.29	2.50	.86	2.31	3.35	N/A	1.20
60	9.29	3.97	.86	2.31	3.35	N/A	1.44
100	9.29	3.97	.86	2.31	3.35	N/A	1.30
200	10.27	6.50	1.75	2.26	3.29	N/A	1.15

VBH1 and VBH14X handle dimensions 1)



Dimensions – Mounting, handle and handle cutout for 400A switches with VBH2 handle

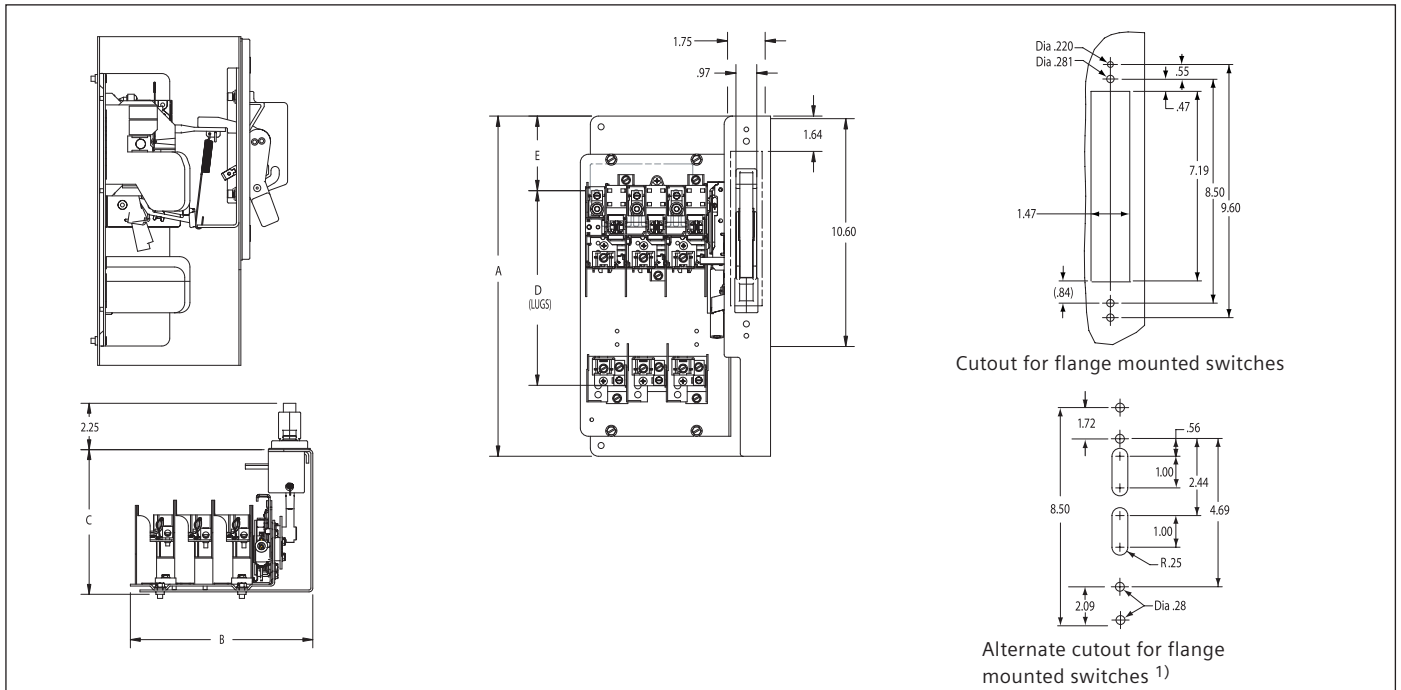
Catalog number	Dimensions (inches)		
	A	B	C
VBSF365	25.50	26.12	21.60
VBNFS365	12.38	13.10	10.09



1) Handle and handle cutout dimensions also apply to VBHM1 Max-Flex handle and adapter kits.

Type VBII Disconnect Switches Dimensions

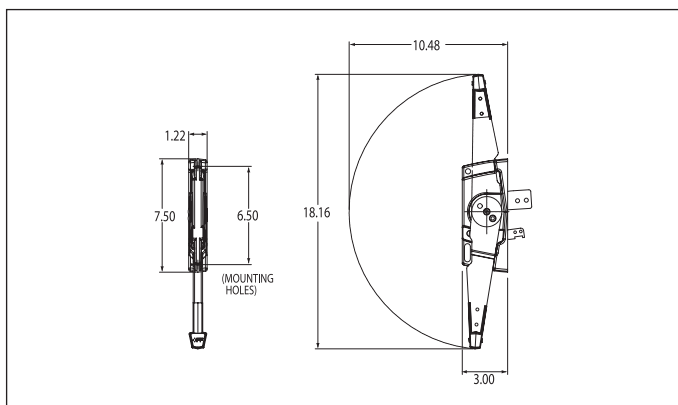
30 – 200A Flange mounted disconnects



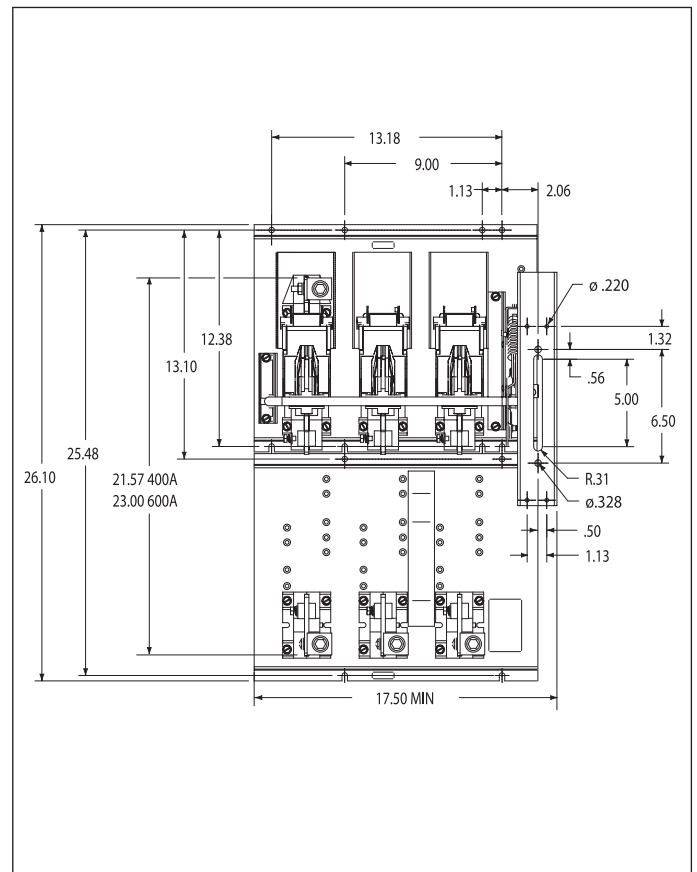
For 30 – 200A flange mounted switches

Catalog number	Dimensions (inches)				
	A	B	C	D	E
Fusible, flange mounted					
VBFS321F	14.07	7.47	7.40	5.79	3.23
VBFS322F	15.83	8.85	7.40	6.56	3.47
VBFS361F & VBFS361FPV	14.07	7.47	7.40	8.54	3.23
VBFS362F & VBFS362FPV	15.83	8.85	7.40	9.06	3.47
VBFS363F & VBFS363FPV	15.83	8.85	7.40	9.61	3.32
VBFS364F	18.20	12.68	7.70	14.25	2.29
Non-Fusible, flange mounted					
VBNFS361F & VBNFS361FPV	11.78	7.47	7.40	3.89	3.23
VBNFS362F & VBNFS362FPV	11.78	8.85	7.40	3.95	3.47
VBNFS363F & VBNFS363FPV	11.78	8.85	7.40	4.03	3.32
VBNFS364F	12.00	12.68	7.70	6.27	2.29

VBH2R/24X Handle dimensions



Mounting and handle cutout for 400 and 600A switches with VBH2R/24X handle



1) Requires handle to be removed from flange mounted switch assembly and mounted to the enclosure flange.

Type VBII Disconnect Switches Replacement parts

Note: Line bases below do not apply to 600V DC photovoltaic switches.



HBB612



HFB62



HFB612

Ampere rating	Load base	Load base	Lugs
Fusible 3-pole ⁵⁾			240V Max.
30	HFB21 ¹⁾	HBB21 ¹⁾	HL612 ²⁾
60	HFB22 ¹⁾	HBB22 ¹⁾	HL612 ²⁾
Fusible 3-pole ⁵⁾			600V Max.
30	HFB612 ¹⁾	HBB612 ¹⁾	HL612 ²⁾
60	HFB62 ¹⁾	HBB62 ¹⁾	HL612 ²⁾
100	HFB63 ¹⁾	HBB63 ¹⁾	HL63 ²⁾
200	HFB64 ¹⁾	HBB64 ¹⁾	HL64 ²⁾
400	HFB65 ^{3) 6)}	HBB656 ^{3) 6)}	HL65678 ⁴⁾
600	HFB66 ^{3) 6)}	HBB656 ^{3) 6)}	HL65678 ⁴⁾
Non-fusible 3-pole 30 – 600A ⁵⁾			600V Max.
30	HNB612 ¹⁾	—	HL612 ²⁾
60	HNB623 ¹⁾	—	HL612 ²⁾
100	HNB623 ¹⁾	—	HL63 ²⁾
200	HNB64 ¹⁾	—	HL64 ²⁾
400	HNB65 ^{3) 6)}	—	HL65678 ⁴⁾
600	HNB66 ^{3) 6)}	—	HL65678 ⁴⁾

- 1) Lugs included.
- 2) Three lugs included in kit.
- 3) Lugs are not included.
- 4) One lug per kit.
- 5) One per switch required unless otherwise noted.
- 6) One required per pole.

Published by
Siemens Industry, Inc. 2017.

Siemens Industry, Inc.
5400 Triangle Parkway
Norcross, GA 30092

For more information, please contact
our Customer Support Center.
Phone: 1-800-241-4453
E-mail: info.us@siemens.com

usa.siemens.com/switches

U.S. Order No.: SSB-R-VBIIIG-1117 BA
Printed in U.S.A.
© 2017 Siemens Industry, Inc.

The technical data presented in this document is based on an actual case or on as-designed parameters, and therefore should not be relied upon for any specific application and does not constitute a performance guarantee for any projects. Actual results are dependent on variable conditions. Accordingly, Siemens does not make representations, warranties, or assurances as to the accuracy, currency or completeness of the content contained herein. If requested, we will provide specific technical data or specifications with respect to any customer's particular applications. Our company is constantly involved in engineering and development. For that reason, we reserve the right to modify, at any time, the technology and product specifications contained herein.