

Product data sheet

Specifications



Circuit breaker, PowerPact B, 20A, 1 pole, 480Y/277VAC, 18kA, I-Line, thermal magnetic, 80%, A

BDA140201

Product availability : Stock - Normally stocked in distribution facility

Price* : 309.00 USD

Main

Range	PowerPact
Product name	PowerPact B
Device short name	BD 020
Product or Component Type	Circuit breaker
Device Application	Distribution

Complementary

Line Rated Current	20 A
Number of Poles	1P
Control Type	Toggle
Breaking capacity code	D
Breaking capacity	25 kA 208Y/120 V AC 50/60 Hz UL 489 25 kA 240 V AC 50/60 Hz UL 489 18 kA 480Y/277 V AC 50/60 Hz UL 489 14 kA 125 V DC 50/60 Hz UL 489 10 kA 600/347 V AC 50/60 Hz UL 489
[Ue] rated operational voltage	240 V AC 50/60 Hz UL 489
Network Frequency	50/60 Hz
[Ics] rated service breaking capacity	25 kA 220...240 V AC 50/60 Hz IEC 60947-2
[Uimp] rated impulse withstand voltage	8 kV IEC 60947-2
Trip unit technology	Thermal-magnetic
Continuous current rating	80 %
[Ui] rated insulation voltage	800 V IEC 60947-2
Suitability for isolation	Yes IEC 60947-2
Utilisation category	Category A
Mechanical durability	20000 cycles IEC 947-1 Annex K ed 5.2
Electrical durability	10000 cycles IEC 947-1 Annex K ed 5.2 440 V In
Connection pitch	1.06 in (27 mm)
AWG gauge	AWG 14...AWG 2/0 aluminium/copper

* Price is "List Price" and may be subject to a trade discount – check with your local distributor or retailer for actual price.

Local signalling	Presence of auxiliary contacts flag green)
Mounting mode	I-Line
Electrical connection	I-Line connection line Lugs load
Mounting Height	1.50 in (38.1 mm)
Tightening torque	31.86...38.94 lbf.in (3.6...4.4 N.m) 0.00...0.01 in ² (2.5...6 mm ²) (AWG 14...AWG 10) 44.25...54.87 lbf.in (5...6.2 N.m) 0.02...0.11 in ² (10...70 mm ²) (AWG 8...AWG 2/0)
Power wire stripping length	0.79 in (20 mm)
Color	Gray RAL 7016)
9 mm pitches	3
Height	5.39 in (137 mm)
Width	1.06 in (27 mm)
Depth	3.50 in (89 mm)
Net Weight	1.41 lb(US) (0.6375 kg)
Quantity per Set	Set of 1
Phase connection	A

Environment

Quality labels	CE
Standards	CSA C22.2 No 5 UL 489 EN/IEC 60947-2 EN/IEC 60947-5-1 GB 14048.2 NEMA AB1 NMX J-266
Product certifications	UL IEC CCC EAC CSA NOM
IP degree of protection	Front cover IP40 IEC 60529
IK degree of protection	IK07 IEC 62262
Pollution degree	3 IEC 60947-1
Ambient air temperature for operation	-13...158 °F (-25...70 °C)
Ambient Air Temperature for Storage	-58...185 °F (-50...85 °C)
Operating altitude	< 6561.68 ft (2000 m) without derating 5000 m with derating

Ordering and shipping details

Category	01133-BDA I-LINE BREAKER
Discount Schedule	DE2
GTIN	3606481151490
Nbr. of units in pkg.	1
Package weight(Lbs)	28.48 oz (807.4 g)
Returnability	Yes
Country of origin	MX

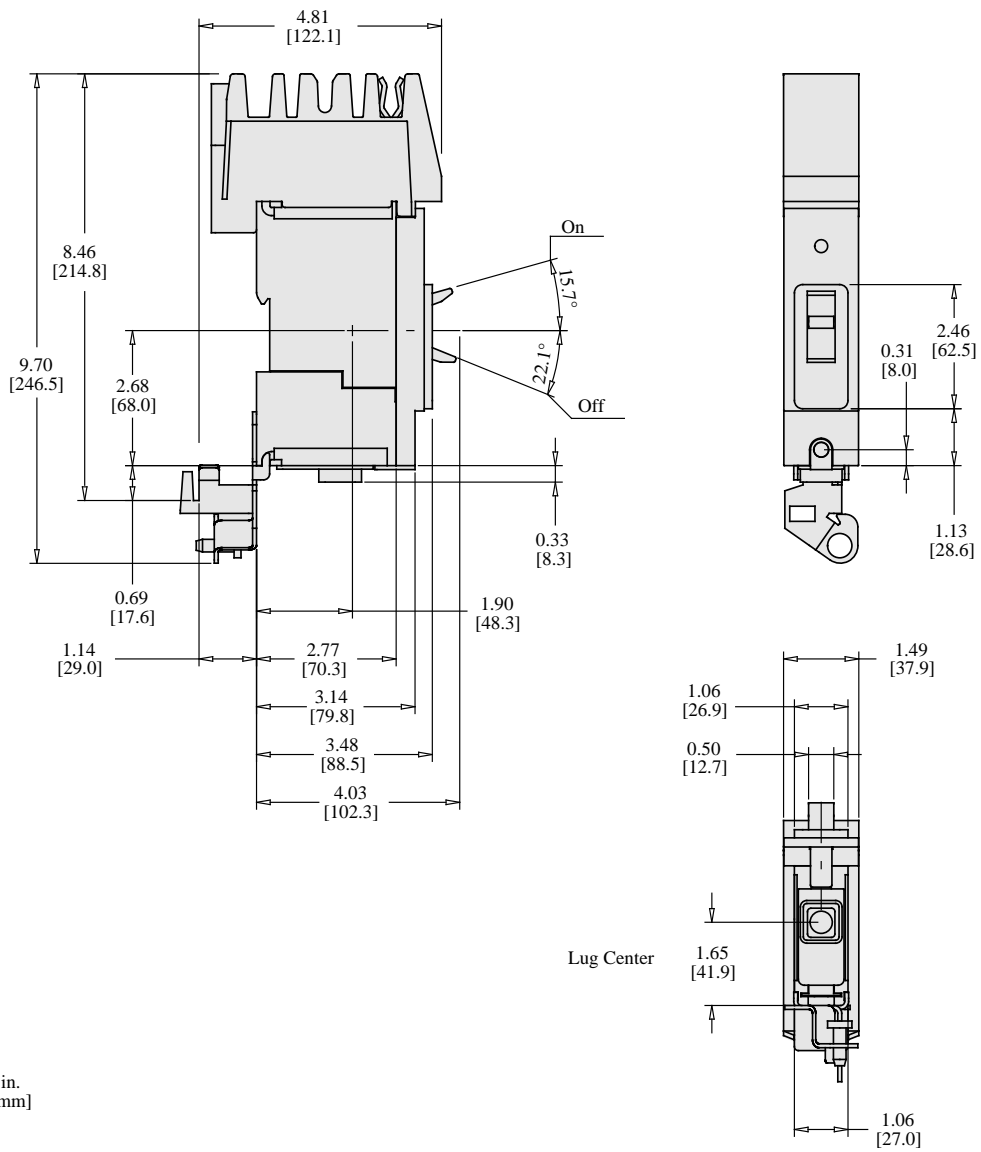
Packing Units

Unit Type of Package 1	PCE
Package 1 Height	1.69 in (4.3 cm)
Package 1 width	8.11 in (20.6 cm)
Package 1 Length	12.72 in (32.3 cm)

Offer Sustainability

Sustainable offer status	Green Premium product
California proposition 65	WARNING: This product can expose you to chemicals including: DINP, which is known to the State of California to cause cancer, and DIDP, which is known to the State of California to cause birth defects or other reproductive harm. For more information go to www.P65Warnings.ca.gov
REACH Regulation	REACH Declaration
EU RoHS Directive	Compliant EU RoHS Declaration
Mercury free	Yes
RoHS exemption information	Yes
China RoHS Regulation	China RoHS declaration Product out of China RoHS scope. Substance declaration for your information.
Environmental Disclosure	Product Environmental Profile
WEEE	The product must be disposed on European Union markets following specific waste collection and never end up in rubbish bins.
PVC free	Yes
Halogen content performance	Halogen free product

Dimensions



in.
[mm]

ALL DIMENSIONS ARE APPROXIMATE.
 ALSO REFER TO CAD, TECHNICAL DRAWINGS, AND DOCUMENTATION.