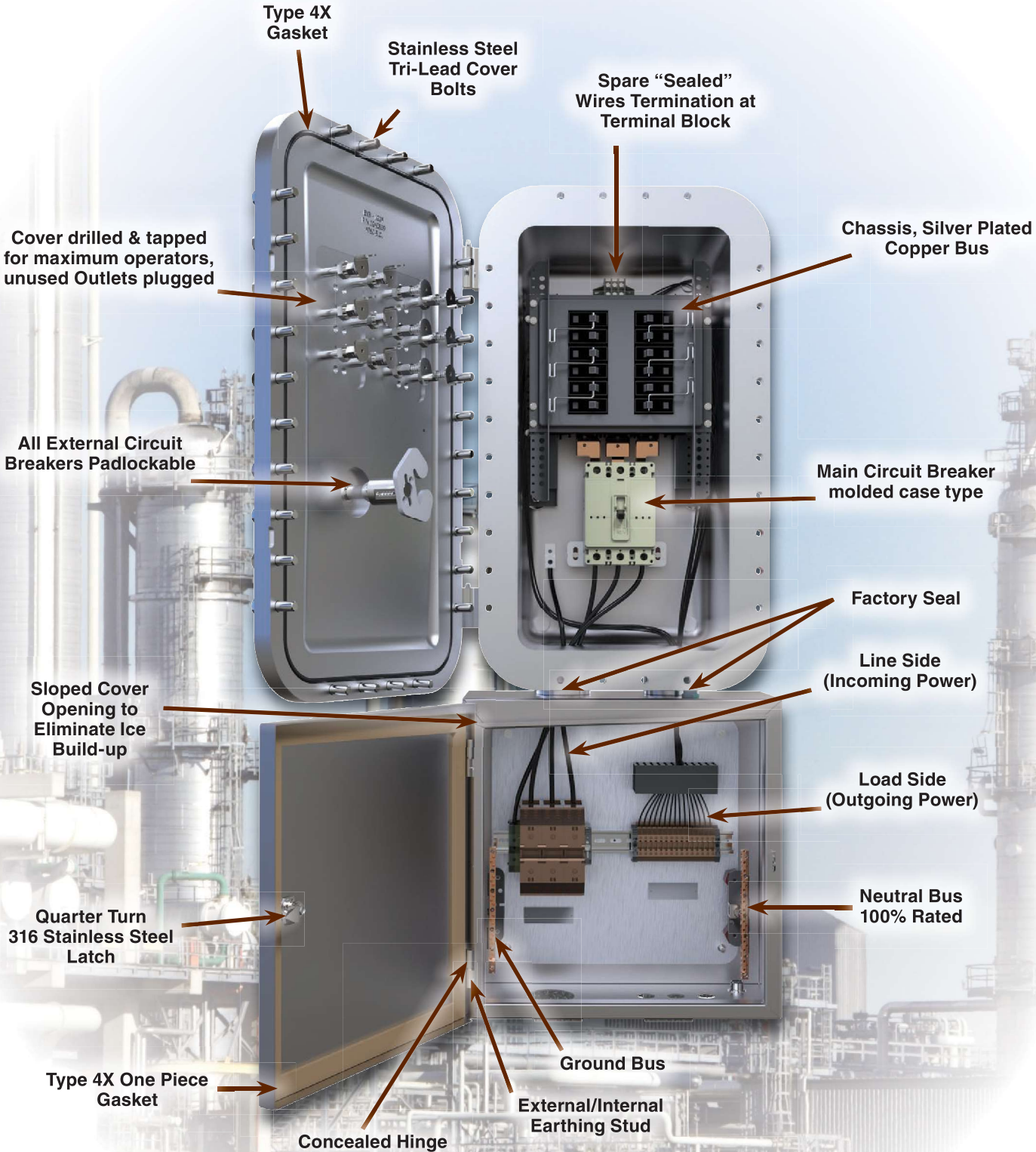


DISTRIBUTION EQUIPMENT
D2LC SERIES





DISTRIBUTION EQUIPMENT
D2LC SERIES

FACTORY SEALED CIRCUIT BREAKER PANELBOARDS



Class I, Div. 2, Groups B, C & D (Type 7)
Class II, Div. 2, Groups E, F & G (Type 9)
Class III, Div. 1 & 2
Class I, Zone 2, Group IIB + H2
TYPE 3, 4, 4X, 7 (B,C,D), 9 (E,F,G)



UL Classified – Standard 877, 1203



CSA Certified – Standard C22.2, Nos. 29, 30

FEATURES-SPECIFICATIONS

Features

- All hardware is stainless steel, cover bolts are quick release Tri-Lead.
- Line and load connection are pre-wired for ease of installation.
- Standard wiring chamber is stainless steel, bottom entry.
- Both enclosures are set up as a standard feature for breather/drain fittings and base to cover static ground strap.
- All circuit breakers are pad lockable in the “ON” or “OFF” positions for up to three padlocks (to allow ease of lock out – tag out capabilities).
- Silver plated copper bus panelboard interiors are standard and the cover of the explosion proof enclosure is pre-drilled for future expansion or changing breakers in the field.
- External ground lug standard.
- Solid neutral (tin plated) standard for single and three phase.
- 50°C calibrated circuit breakers are available upon request, with a “V” suffix rating.

Materials

- **Breaker enclosure:** Cast copper free aluminum (less than 1/10 of 1%)
- **Cover Bolts:** Type 316 stainless steel quick turn (Tri-Lead), finish Aluminum Lacquer Paint.
- **Wiring enclosure:** 316L Stainless Steel 14 gauge.

Electrical Ratings

- Single Phase – 120/240VAC, 3 Wire, 60hz
- Three Phase – 120/208VAC, 4 Wire, 60Hz
- Main Circuit Breaker MCCB Type (150AF/15 to 150AT for the 12 Circuit, 225AF/15 to 225AT for the 18, 24, 30, 36 & 42 Circuit), Standard AIC rating is 14KAIC at 480VAC, however higher interrupting capacity rating are available up to 65KAIC.
- MLO main lug Silver Plated Copper Bus Bars only (100A Rated for 12 Circuit, 225A FOR 18, 24, 30, 36 & 42)
- Branch Breakers (120/240VAC Quicklag Bolt-On Trip Ranges
 - » Standard BAB (10KAIC) Thermal Magnetic Breaker, 10, 15, 20, 25, 30, 35, 40, 45, 50, 55, 60, 70, 80, 90, 100 amp trip rating.

- » Higher Rated QBHW (22KAIC) Thermal Magnetic Breaker, 10, 15, 20, 25, 30, 35, 40, 45, 50, 55, 60, 70, 80, 90, 100 amp trip rating.
- » Ground Fault QBGF GFI (5mA Sensitivity) Type, 1 and 2 pole, 15, 20, 25, 30, 40, (50A available in two pole only).
- » Equipment Protection QBGEP EPD (30mA Sensitivity) Type, 15, 1 and 2 pole, 20, 25, 30, 40, (50A available in two pole only).
- » High Intensity Discharge BAB HID, 1 and 2 Pole, 15, 20, 25, 30, 40, 50, 60 amp rating.

MODIFICATIONS

CATALOG NO.	DESCRIPTION
KIT-251	Grounding kit, 100 AMP
KIT-252	Grounding kit, 225 AMP
B7SF	Special baked epoxy finish
B7EYEBOLT	Eye bolts for ease of installation
B7GSN	Kit to ground neutral bar



FACTORY SEALED CIRCUIT BREAKER PANELBOARDS



Class I, Div. 2, Groups B, C, D
(Type 7 for Gas Group)
Class I, Zone 2, Groups IIB+H2, IIA
Class II, Div. 2, Groups F, G
(Type 9 for Dust Group)
Class III, Div. 1 & 2
TYPE 3, 4, 4X, 7 & 9

 Classified – File E83969
 Certified – File LR11713

Catalog Numbers on this page are for the basic Termination Enclosure with distribution, neutral, ground bar and terminal blocks plus a Breaker Enclosure with internal pan. Enclosures are connected together with factory poured sealing chambers and mounted on aluminum frame for wall mounting.

External breaker handles and internal branch breakers are not included and must be ordered as separate items for factory installation.

CIRCUIT BREAKER RATINGS

TYPE	NO. OF POLES	VOLT	AMPERES SYMMETRICAL
BAB [Ⓛ]	1	120	10,000 AIC
BAB [Ⓛ]	2	120/240	10,000 AIC
BAB [Ⓛ]	3	240	10,000 AIC
QBHW	1	120/240	22,000AIC
QBHW	2	120/240	22,000AIC
QBHW	2	240	22,000AIC
QBHW	3	240	22,000AIC
BABSWN [Ⓛ]	1	120/240	10,000 AIC
BABSWN [Ⓛ]	2	120/240	10,000 AIC
QBGF	1	120	10,000 AIC
QBGF	2	120/240	10,000 AIC
QBGFEP	1	120	10,000 AIC
QBGFEP	2	120/240	10,000 AIC
BAB*D [Ⓛ]	1	120	10,000 AIC
BAB*D [Ⓛ]	2	120/240	10,000 AIC

D2LC FACTORY SEALED LIGHTING PANELBOARD

MAIN LUG ONLY

ELECTRICAL RATING	# OF BRANCH POLES	MAIN LUG RATING AMPS	CATALOG NO. BASIC ENCLOSURE	MAIN WIRE RANGE	PANEL SIZE	ENCLOSURE EXB	ENCLOSURE TERMINAL BOX
SINGLE PHASE 3 WIRE WITH SOLID NEUTRAL 120/240VAC	12	100	D2LC-112-ML100	#14AWG-2/0	A	EXB-12188 N34	USFS181808
	18	225	D2LC-118-ML225	#6AWG-350MCM	B	EXB-12248 N34	USFS181808
	24	225	D2LC-124-ML225	#6AWG-350MCM	B	EXB-12248 N34	USFS181808
	30	225	D2LC-130-ML225	#6AWG-350MCM	C	EXB-12368 N34	USF241808
	36	225	D2LC-136-ML225	#6AWG-350MCM	C	EXB-12368 N34	USF241808
	42	225	D2CL-142-ML225	#6AWG-400MCM	D	EXB-12368 N34	USF241808
THREE PHASE 4 WIRE WITH SOLID NEUTRAL 120/208VAC	12	100	D2LC-312-ML100	#14AWG-2/0	A	EXB-12188 N34	USFS181808
	18	225	D2LC-318-ML225	#6AWG-350MCM	B	EXB-12248 N34	USFS181808
	24	225	D2LC-324-ML225	#6AWG-350MCM	B	EXB-12248 N34	USFS181808
	30	225	D2LC-330-ML225	#6AWG-350MCM	C	EXB-12368 N34	USF241808
	36	225	D2LC-336-ML225	#6AWG-350MCM	C	EXB-12368 N34	USF241808
	42	225	D2CL-342-ML225	#6AWG-400MCM	D	EXB-12368 N34	USF241808

MAIN CIRCUIT BREAKER (MCCB)

ELECTRICAL RATING	# OF BRANCH POLES	MAIN CIRCUIT BREAKER		CATALOG NO. BASIC ENCLOSURE	INCOMING MAIN WIRE RANGE	PANEL SIZE	ENCLOSURE EXB	ENCLOSURE TERMINAL BOX
		FRAME	AMPS					
SINGLE PHASE 3 WIRE WITH SOLID NEUTRAL 120/240VAC	12	EHD	100	D2LC-112-MB100	#14AWG - 1/0	B	EXB-12248 N34	USFS181808
	18	ED	225	D2LC-118-MB225	#4AWG - 4/0	C	EXB-12368 N34	USFS241808
	24	ED	225	D2LC-124-MB225	#4AWG - 4/0	C	EXB-12368 N34	USFS241808
	30	ED	225	D2LC-130-MB225	#4AWG - 4/0	C	EXB-12368 N34	USF241808
	36	ED	225	D2LC-136-MB225	#4AWG - 4/0	C	EXB-12368 N34	USF241808
	42	ED	225	D2CL-142-MB225	#4AWG - 4/0	D	EXB-12368 N34	USF241808
THREE PHASE 4 WIRE WITH SOLID NEUTRAL 120/208VAC	12	EHD	100	D2LC-312-MB100	#14AWG - 1/0	B	EXB-12218 N34	USFS181808
	18	ED	225	D2LC-318-MB225	#4AWG - 4/0	C	EXB-12368 N34	USFS241808
	24	ED	225	D2LC-324-MB225	#4AWG - 4/0	C	EXB-12368 N34	USFS241808
	30	ED	225	D2LC-330-MB225	#4AWG - 4/0	C	EXB-12368 N34	USF241808
	36	ED	225	D2LC-336-MB225	#4AWG - 4/0	C	EXB-12368 N34	USF241808
	42	EC	225	D2CL-342-MB225	#4AWG - 4/0	D	EXB-12368 N34	USF241808

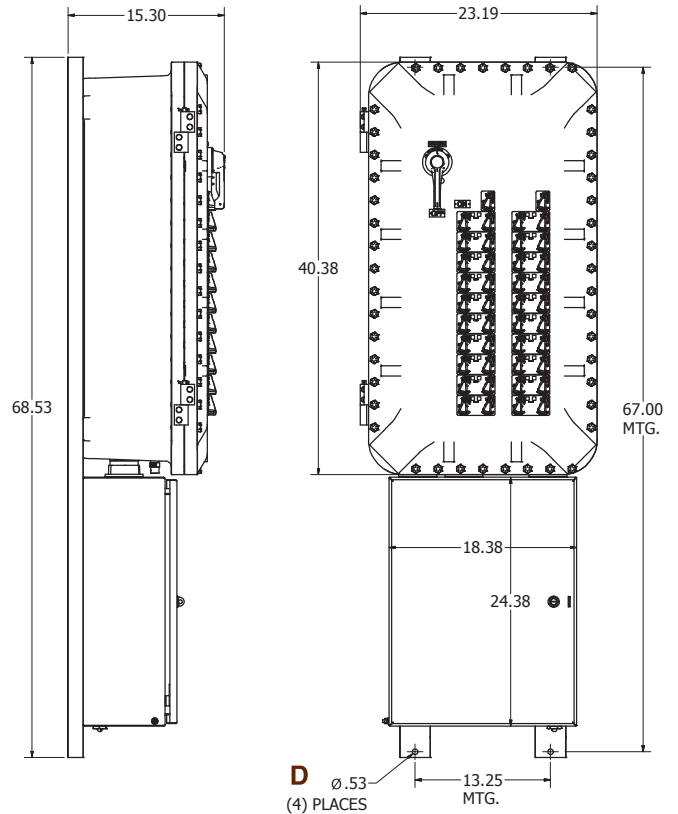
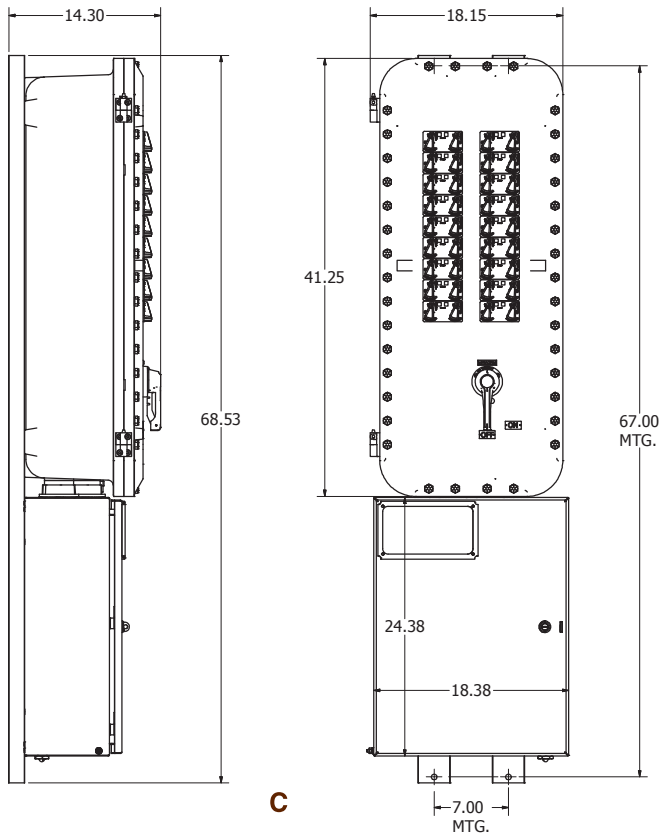
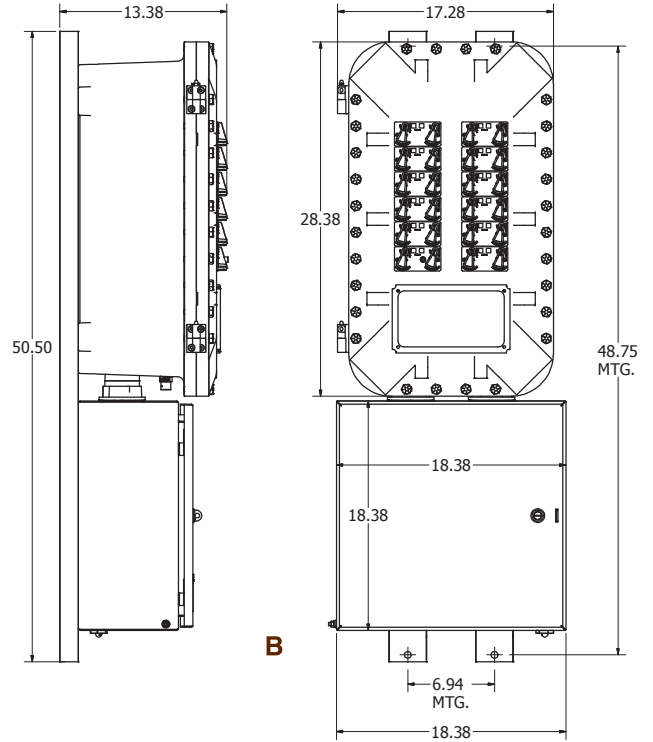
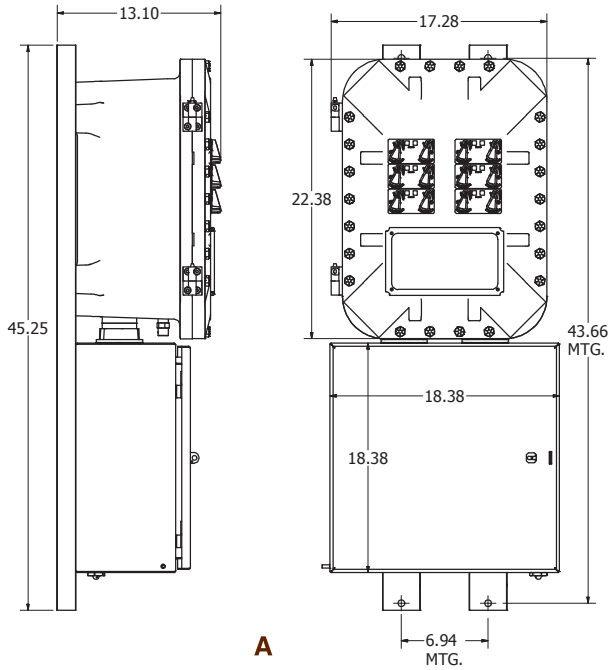
NOTE: To substitute a lower amperage main breaker change last three digits of catalog number to desired amperage.
Example: For a 50 amp main breaker part number = D2L-309-MBQ050
See page DE4 for Branch Breaker Selection
See page DE5 for Dimensions, Wire Range Chart and Wiring Diagrams.
Panels are constructed with Terminal Box on Bottom Feed.
If Bottom Feed is required order modification D2MLBTM for inverted panel with Terminal Box on Bottom.

[Ⓛ] Type BAB also rated for 80V DC at 5,000 AIC.
[Ⓛ] Type BAB* D designed for HID lighting applications.



DISTRIBUTION EQUIPMENT
D2LC SERIES

DIMENSIONAL DRAWINGS





BRANCH BREAKERS ACCESSORIES / OPTIONS



**Class I, Div. 2, Groups B, C, D (Type 7)
Gas Group**
Class I, Zone 2, Groups IIB+H2, IIA
**Class II, Div. 2, Groups F, G (Type 9 Dust
Group)**
Class III, Div. 1 & 2
TYPE 3, 4, 4X, 7 & 9

 Classified – File E83969

 Certified – File LR11713

NOTES:

- 1) Part numbers below include external handle, trip mechanism, locking tab and internal branch circuit breaker.
- 2) Refer to page DE2 for complete ordering information and examples.
- 3) Refer to pages DE3 and DE4 for maximum voltage and ratings of circuit breakers.
- 4) Space = External handle, trip mechanism installed to allow for future installations of breakers.
- 5) Ground Fault and Equipment protection breakers include external button for test purpose.
- 6) Handle only.

BRANCH CIRCUIT BREAKERS

NUMBER OF POLES PER BREAKER	TRIP AMP RATING	BAB FRAME 10KAIC STANDARD	QBHW FRAME 22KAIC HIGH BREAK	QBGF GROUND FAULT 5MA	QBGEQ EQUIPMENT PROTECTION 30MA	BAB FRAME HID HIGH INTENSITY DISCHARGE	BAB FRAME SWITCHED NEUTRAL
(1) ONE POLE 120/240VAC 62.5VDC	SPACE (HANDLE ONLY)	B7BLA1000	B7BLG1000	B7BLC1000	B7BLE1000	B7BLD1000	
	10	B7BLA1010	B7BLG1010				
	15	B7BLA1015	B7BLG1015	B7BLC1015	B7BLE1015	B7BLD1015	
	20	B7BLA1020	B7BLG1020	B7BLC1020	B7BLE1020	B7BLD1020	
	25	B7BLA1025	B7BLG1025	B7BLC1025	B7BLE1025		
	30	B7BLA1030	B7BLG1030	B7BLC1030	B7BLE1030	B7BLD1030	
	35	B7BLA1035	B7BLG1035				
	40	B7BLA1040	B7BLG1040	B7BLC1040	B7BLE1040	B7BLD1040	
	45	B7BLA1045	B7BLG1045				
	50	B7BLA1050	B7BLG1050			B7BLD1050	
	55	B7BLA1055	B7BLG1055				
	60	B7BLA1060	B7BLG1060			B7BLD1060	
	70	B7BLA1070	B7BLG1070				
	80						
	90						
	100		B7BLA1100				
110							
125							



BRANCH BREAKERS ACCESSORIES / OPTIONS

BRANCH CIRCUIT BREAKERS							
NUMBER OF POLES PER BREAKER	TRIP AMP RATING	BAB FRAME 10KAIC STANDARD	QBHW FRAME 22KAIC HIGH BREAK	QBGF GROUND FAULT 5MA	QBGEF EQUIPMENT PROTECTION 30MA	BAB FRAME HID HIGH INTENSITY DISCHARGE	BAB FRAME SWITCHED NEUTRAL
(2) DOUBLE POLE 120/240VAC 80VDC	SPACE (HANDLE ONLY)	B7BLA2000	B7BLG2000	B7BLC2000	B7BLE2000	B7BLD2000	B7BLF2000
	10	B7BLA2010	B7BLG2010				
	15	B7BLA2015	B7BLG2015	B7BLC2015	B7BLE2015	B7BLD2015	B7BLF2015
	20	B7BLA2020	B7BLG2020	B7BLC2020	B7BLE2020	B7BLD2020	B7BLF2020
	25	B7BLA2025	B7BLG2025	B7BLC2025	B7BLE2025		
	30	B7BLA2030	B7BLG2030	B7BLC2030	B7BLE2030	B7BLD2030	B7BLF2030
	35	B7BLA2035	B7BLG2035				
	40	B7BLA2040	B7BLG2040	B7BLC2040	B7BLE2040	B7BLD2040	
	45	B7BLA2045	B7BLG2045				
	50	B7BLA2050	B7BLG2050	B7BLC2050	B7BLE2050	B7BLD2050	
	55	B7BLA2055	B7BLG2055				
	60	B7BLA2060	B7BLG2060			B7BLD2060	
	70	B7BLA2070	B7BLG2070				
	80	B7BLA2080	B7BLG2080				
	90	B7BLA2090	B7BLG2090				
	100	B7BLA2100	B7BLG2100				
110	B7BLA2110	B7BLG2110					
125	B7BLA2125	B7BLG2125					
(2) DOUBLE POLE 240VAC	SPACE (HANDLE ONLY)		B7BLG2000				
	10		B7BLG2010H				
	15		B7BLG2015H				
	20		B7BLG2020H				
	25		B7BLG2025H				
	30		B7BLG2030H				
	35		B7BLG2035H				
	40		B7BLG2040H				
	45		B7BLG2045H				
	50		B7BLG2050H				
	55		B7BLG2055H				
	60		B7BLG2060H				
	70		B7BLG2070H				
	80		B7BLG2080H				
	90		B7BLG2090H				
	100		B7BLG2100H				
110		B7BLG2110H					
125		B7BLG2125H					
(3) THREE POLE 240VAC	SPACE (HANDLE ONLY)	B7BLB3000	B7BLG3000				B7BLF3000
	10	B7BLB3010	B7BLG3010H				
	15	B7BLB3015	B7BLG3015H				B7BLF3015
	20	B7BLB3020	B7BLG3020H				B7BLF3020
	25	B7BLB3025	B7BLG3025H				
	30	B7BLB3030	B7BLG3030H				B7BLF3030
	35	B7BLB3035	B7BLG3035H				
	40	B7BLB3040	B7BLG3040H				
	45	B7BLB3045	B7BLG3045H				
	50	B7BLB3050	B7BLG3050H				
	55	B7BLB3055	B7BLG3055H				
	60	B7BLB3060	B7BLG3060H				
	70	B7BLB3070	B7BLG3070H				
	80	B7BLB3080	B7BLG3080H				
	90	B7BLB3090	B7BLG3090H				
	100	B7BLB3100	B7BLG3100H				
110	B7BLB3110	B7BLG3110H					
125	B7BLB3125	B7BLG3125H					