

Reversing/assignment DC control contactors



Reversing DC control contactors from Eaton's Electrical Sector are excellent for motor-reversing and assignment applications. Devices are field proven in railway systems, off-highway vehicle, mining machinery, and adjustable voltage drive applications.

The reversing/assignment contactor is a double-pole, double-throw non-load break definite purpose DC contactor. A three-position center-off or a two-position magnetically latched configuration is available. The device is rated for 1100A, 1000 Vdc. The reversing contactor includes crossover bus bars for DC motor reversing applications; the assignment contactor omits the crossover bus bars for motor assignment applications (see schematic diagrams on reverse side).

Eaton's rugged, high-performance DC control contactors are excellent for industries demanding reliable control devices.

The customer benefits and values offered by the reversing DC control contactors include:

- High-power devices carrying 1100A at 1000 Vdc in a compact design
- Continuous-duty operating coils with a variety of voltages (28–250 Vdc) to facilitate seamless interface with existing control systems
- Screw-type or faston control terminals on the auxiliary contacts are ideal for connections in railway systems applications
- Bi-directional current-carrying capacity (non-load break)
- Designed to mount directly on a panel
- Can replace four single-pole contactors in DC motor reversing applications
- Can be configured as either a three-position center-off or a two-position magnetically latched
- Easy accessibility to wear parts minimizes labor costs and time for inspection, maintenance and repair

- Auxiliary contacts available in any combination of normally open (NO) or normally closed (NC) circuits, up to a maximum of eight contacts
- Can replace two or four single-pole contactors in DC motor assignment applications

Electrical ratings

- Contactor rating
 - Voltage rating is 1000 Vdc
 - Continuous current rating is 1100A in 55°C ambient
 - Main pole configuration is DPDT
- Interlock rating
 - 5A resistive or 3A inductive at 74 Vdc
 - 3A resistive or 2A inductive at 115 Vdc

Endurance ratings

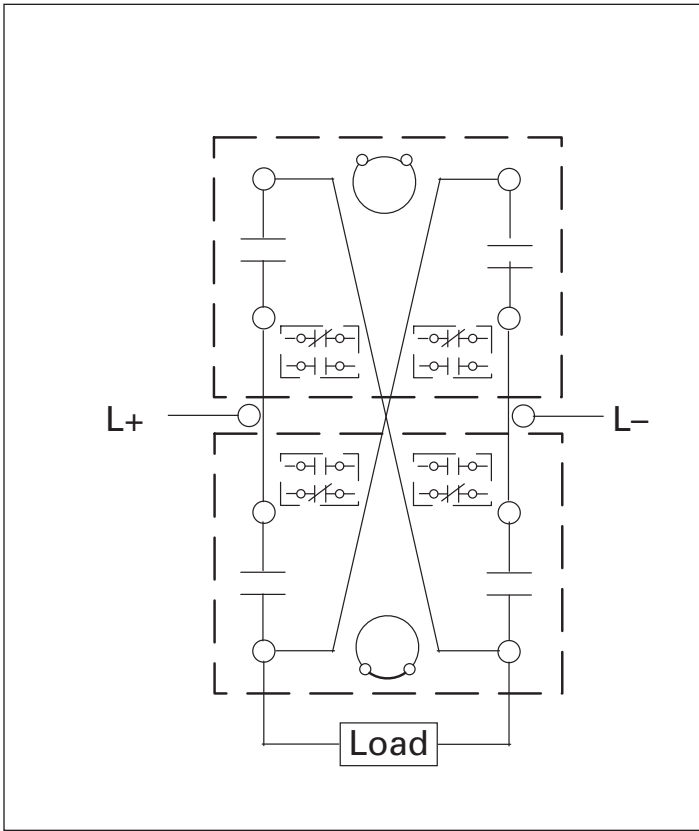
- Mechanical life is 1 million operations

Environmental ratings

- Operating temperature: –40 to 55°C
- Storage temperature: –40 to 65°C

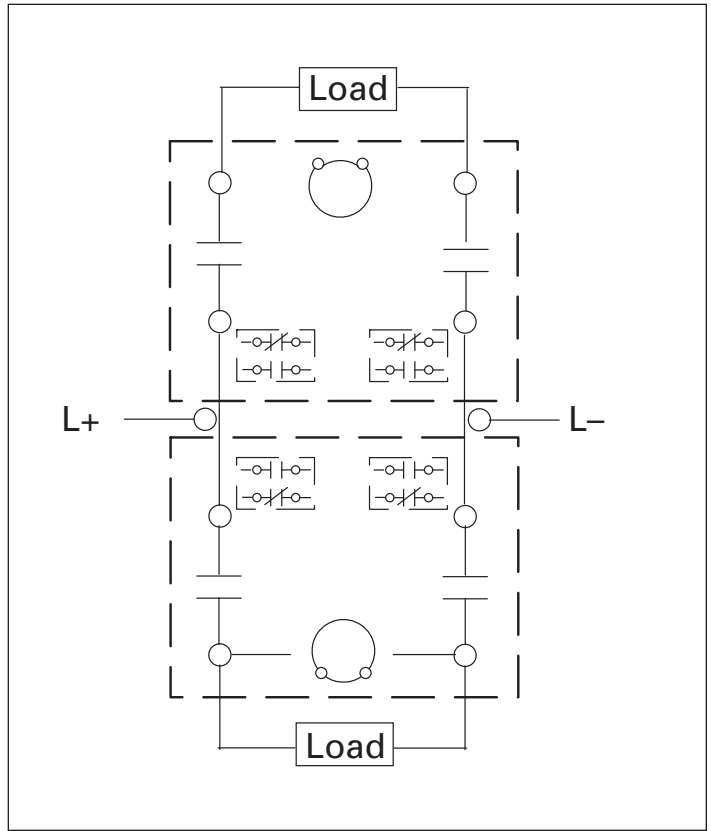


Powering Business Worldwide



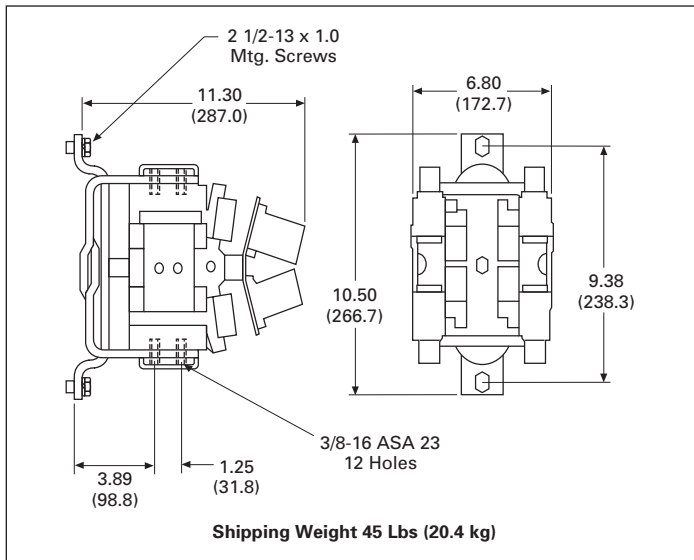
Reversing Contactor Schematic Diagram

This schematic diagram illustrates the device configured with crossover bus bars for a motor reversing application.



Assignment Contactor Schematic Diagram

This schematic diagram illustrates the device without the crossover bus bars used for a motor reversing application.



Reversing Contactor Approximate Dimensions in Inches (mm), and Shipping Weight

Eaton Corporation
 Electrical Sector
 1111 Superior Ave.
 Cleveland, OH 44114
 United States
 877-ETN-CARE (877-386-2273)
 Eaton.com

© 2010 Eaton Corporation
 All Rights Reserved
 Printed in USA
 Publication No. PA05803006E / Z9889
 May 2010



PowerChain Management®

PowerChain Management is a registered trademark of Eaton Corporation.

All other trademarks are property of their respective owners.



Powering Business Worldwide