

GHG 635 explosion protected manual motor starters

25A, 690 VAC non-metallic enclosure

Cl. I, Div. 2, Groups A, B, C, D
Cl. I, Zones 1 & 2, AEx de IIB + H₂, T5, T6
Cl. II, Div. 1, Groups E, F, G

CENELEC - PTB 99
ATEX 1162 Certified
Ex de IIC, T6, Zones 1 & 2
Ex de IIC, T6, Zones 21 & 22
NEMA 4X; IP66

2C

Applications:

- Explosion protected manual motor starters are used in a metallic conduit or cable system for surface mounting to protect motors against overload and phase failure

Features:

- Explosion protected factory sealed circuit breaker and manual motor starter
- Innovative break line in cover allows full wiring access, making installation quick and easy
- Switch handle provides clear indication of switch position
- Lockable handle meets OSHA lockout/tagout requirements; provision for three padlocks
- Large rotary handle provides easy gripping with gloved hands
- Captive cover screws

Certifications and compliances:

- UL/cUL Listed
- Class I, Division 2, Groups A, B, C, D
- Class I, Zones 1 & 2, Ex de IIB+H₂, T6
- Class II, Division 1, Groups E, F, G (cUL)
- CENELEC - PTB 99-ATEX 1162
- Ex de IIC, T6, Zones 1 & 2
- NEMA 4X, IP66

Standard Materials:

- Enclosure – fiberglass-reinforced polyester
 - Non-metallic, corrosion-resistant
 - Increased safety Ex-e protection
 - Impact-resistant
 - NEMA 4X, IP66 protection
 - Enclosure meets UL94-VO
 - UV rated
- Enclosure gasket – silicone
- Handle – impact-resistant thermoplastic
- Cover screws – stainless steel
- Conduit entries – zinc Myers™ hubs
- Mounting plate – brass, for ground continuity



Electrical ratings:

Type of protection	(A)Ex de IIC T5, T6
Rated voltage	Up to 690 VAC
Rated current	Up to 25A
Rated current, aux. contact	2A
Short circuit	See short circuit protection table below
Undervoltage trip	Tripping at 15% - 75% V-rated; switching - on when V>80% V-rated
Connection terminals	Up to 10mm ²
Connection terminals, aux. contact	2 x 2.5 mm ²
Conduit or cable entries	2 x 3/4" Myers hubs
Weight	5.5 lbs. (2.5 kg.)

Short circuit protection:

Setting range	400 VAC AIC	500 VAC AIC	690 VAC AIC
0.1 - 1.6A	N/A ^A	N/A ^A	N/A ^A
1.6 - 2.5A	N/A ^A	N/A ^A	40
2.5 - 4.0A	N/A ^A	60	10
4.0 - 6.3A	N/A ^A	40	7
6.3 - 9.0A	N/A ^A	30	5
9.0 - 12.5A	75	27	4.5
12.5 - 16.0A	60	25	4
16.0 - 20.0A	55	22	3.5
20.0 - 25.0A	50	20	3

Ordering information:

Setting range or rated current	Cat. #
0.10 - 0.16A	GHG 635 1101 L0101
0.16 - 0.25A	GHG 635 1101 L0102
0.25 - 0.40A	GHG 635 1101 L0103
0.40 - 0.63A	GHG 635 1101 L0104
0.63 - 1.00A	GHG 635 1101 L0105
1.00 - 1.60A	GHG 635 1101 L0106
1.60 - 2.50A	GHG 635 1101 L0107
2.50 - 4.00A	GHG 635 1101 L0108
4.00 - 6.30A	GHG 635 1101 L0109
6.30 - 9.00A	GHG 635 1101 L0110
9.00 - 12.50A	GHG 635 1101 L0111
12.50 - 16.00A	GHG 635 1101 L0112
16.00 - 20.00A	GHG 635 1101 L0113
20.00 - 25.00A	GHG 635 1101 L0114

Accessory options:

Description	Suffix
• Without auxiliary contact	1
• With auxiliary contact (1 N.O./1 N.C.).....	2
• With auxiliary contact (2 N.O.).....	3

^A Short-circuit proof. No back-up fuse required.

^B Catalog numbers are shown without auxiliary contacts. To add auxiliary contacts, change last number in "1101" to a '2' or '3'. For example: 1102.

GHG 635 explosion protected manual motor starters

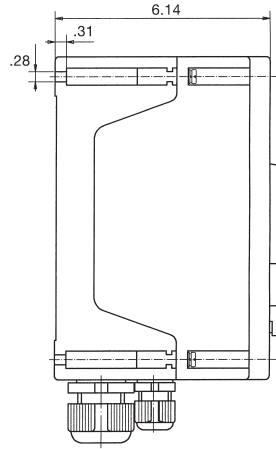
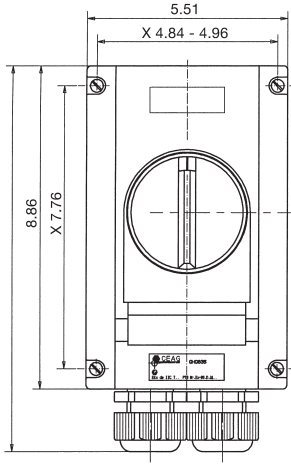
25A, 690 VAC non-metallic enclosure

Cl. I, Div. 2, Groups A, B, C, D
 Cl. I, Zones 1 & 2, AEx de IIB + H₂, T5, T6
 Cl. II, Div. 1, Groups E, F, G

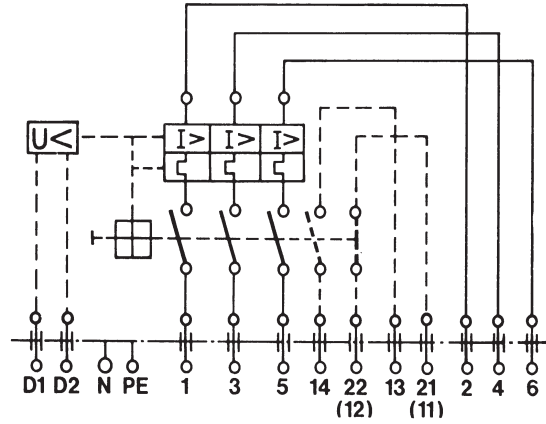
CENELEC - PTB 99
 ATEX 1162 Certified
 Ex de IIC, T6, Zones 1 & 2
 Ex de IIC, T6, Zones 21 & 22
 NEMA 4X; IP66

2C

Dimensions (in inches):



Wiring diagram:



2C