

EMN pushbutton style compact manual IEC starters

Cl. I, Div. 1 & 2, Groups C, D
 Cl. I, Zone 1, Group IIB
 Cl. II, Div. 1 & 2, Groups E, F, G
 Cl. III
 NEMA 3, 4, 7CD, 9EFG

UL/cUL Listed
 Wet Locations

2C

2C

Applications:

- Explosionproof, compact, across-the-line manual IEC starters for single and polyphase VAC motors
- Used on drilling rigs for mud agitators and shakers where flammable or explosive gases are present
- Also used for fans and blowers, pumps, compressors and conveyors

Features:

- Optional gasket protects from mud and hose-directed water
- Option for no top entries provides additional ingress protection
- Lockout/tagout option allows for starter to be locked in OFF position
- Redesigned buttons allow for ease of use with gloves
- Enclosure designed to protect buttons from damage
- Detachable mounting hardware
- Mounting footprint with multiple options for field flexibility

Certifications and compliances:

- Class I, Divisions 1 & 2, Groups C, D
- Class I, Zone 1, Group IIB
- Class II, Divisions 1 & 2, Groups E, F, G
- Class III
- UL1203
- cUL C22.2 No. 30

Environmental ratings:

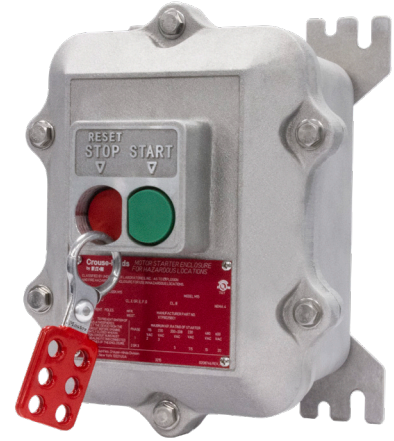
- NEMA 3, 4, 7CD, 9EFG
- Protected from hose-directed water
- NEMA 4X rated when ordered with epoxy powder coat and gasket options

Standard materials:

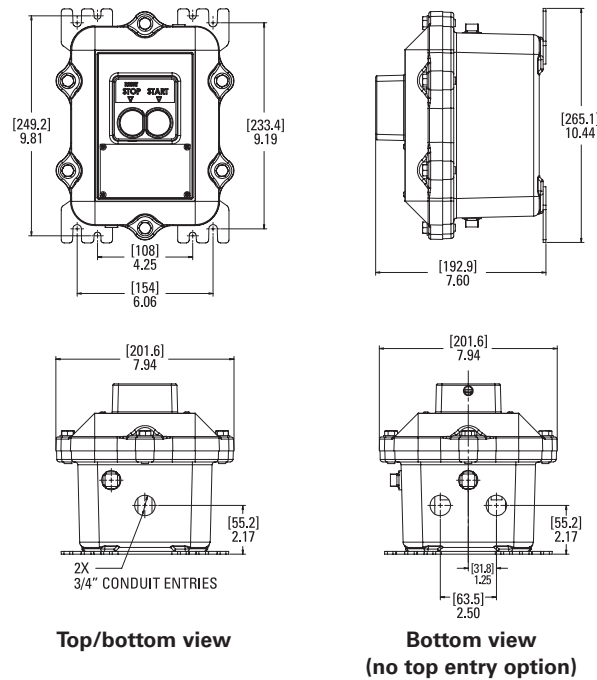
- Enclosure – copper-free aluminum
- Shaft, bearing and bolts – stainless steel
- O-ring gasket – Buna-N (optional)

Electrical ratings:

- IEC Cutler-Hammer Type XTPB manual starter
- 1 to 20 HP
- 2-pole, single-phase AC up to 230 VAC
- 3-pole, three-phase AC up to 600 VAC
- #18 - #10 wire size range



Dimensions:



EMN pushbutton style compact manual IEC starters

Cl. I, Div. 1 & 2, Groups C, D
Cl. I, Zone 1, Group IIB
Cl. II, Div. 1 & 2, Groups E, F, G
Cl. III
NEMA 3, 4, 7CD, 9EFG

UL/cUL Listed
Wet Locations

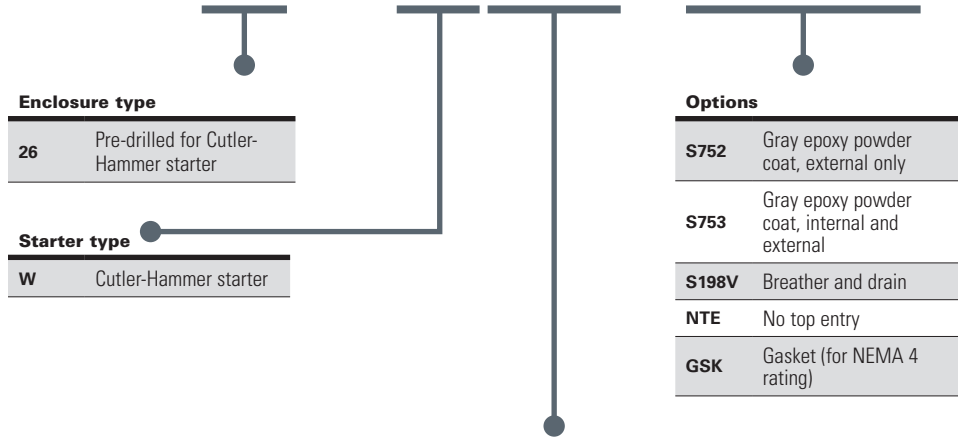
2C

Ordering information:

Part number example

EMN26 WP16 S198V M15

EMN26 WP16 S198V M15



Enclosure type	
26	Pre-drilled for Cutler-Hammer starter

Starter type	
W	Cutler-Hammer starter

Options	
S752	Gray epoxy powder coat, external only
S753	Gray epoxy powder coat, internal and external
S198V	Breather and drain
NTE	No top entry
GSK	Gasket (for NEMA 4 rating)

Suffix	Maximum horsepower						Adjustment range FLA	Rated uninterrupted current
	Single-phase		Three-phase					
	115V	230V	200-208V	230V	480V	600V		
P16	–	–	*	*	*	*	0.10 - 0.16	0.16
P25	–	–	*	*	*	*	0.16 - 0.25	0.25
P40	–	–	*	*	*	*	0.25 - 0.40	0.4
P63	–	–	*	*	*	*	0.40 - 0.63	0.63
001	–	–	*	*	0.5	0.5	0.63 - 1.00	1
1P6	–	0.1	*	*	0.75	0.75	1.00 - 1.60	1.6
2P5	–	0.16	0.5	0.5	1	1.5	1.60 - 2.50	2.5
004	0.12	0.33	0.75	0.75	2	3	2.50 - 4.00	4
6P3	0.25	0.5	1	1	3	5	4.00 - 6.30	6.3
010	0.5	1.5	2	3	5	7.5	6.30 - 10.00	10
012	0.5	2	3	3	7.5	10	8.00 - 12.00	12
016	1	2	3	5	10	10	10.00 - 16.00	16
020	1.5	3	5	5	10	15	16.00 - 20.00	20
025	2	3	5	7.5	15	20	20.00 - 25.00	25

*In this range, calculate motor rating according to rated current. Specified values to NEC Table 430.250.