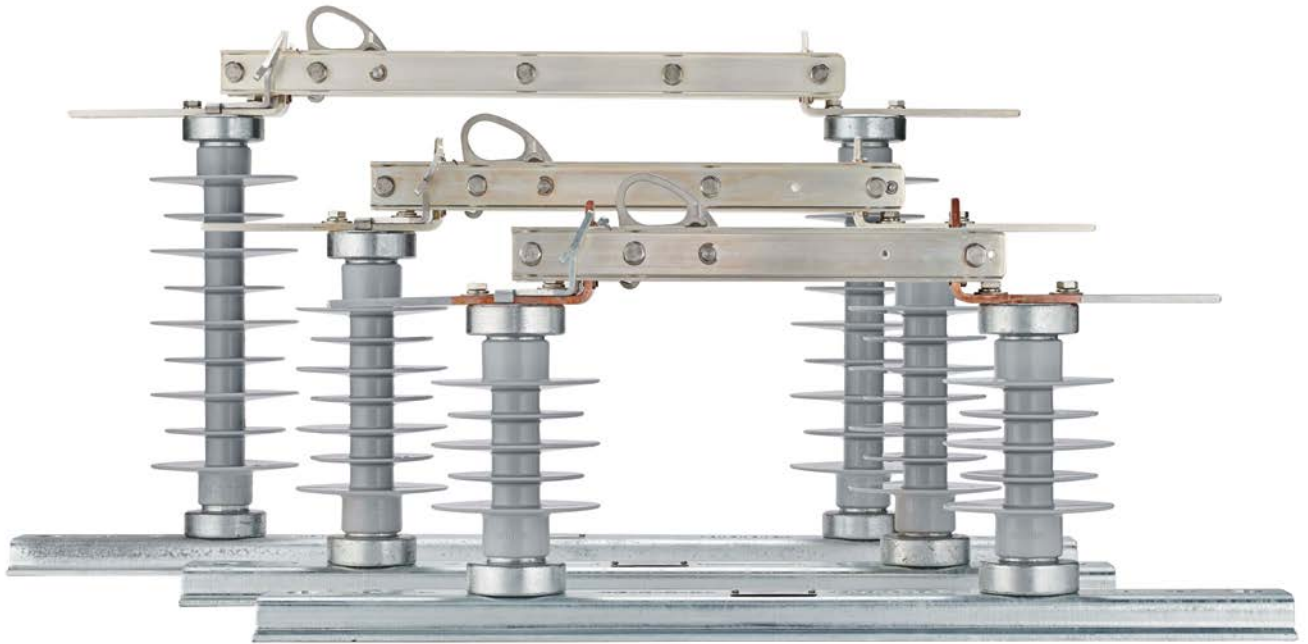


D-73P disconnect and bypass switches



Contents

Description

Page

Contents

D-73P disconnect switch	2
D-73P3 bypass switch	5
D-73P-CD cutout disconnect switch	9
D-73P-LT distribution-class line tap disconnect switch	10
D-73P-VS distribution-class V-style crossarm switch	11
D-73P-TS distribution-class in-line disconnect switch	14



Powering Business Worldwide

D-73P disconnect switch

Eaton has set the new standard of excellence for polymer distribution-class disconnect switches with the introduction of its Cooper Power™ series UltraSIL™ polymer-insulated disconnect switches. Eaton's Cooper Power series D-73P distribution-class, single throw disconnect switch provides a durable, rugged lightweight switch for line sectionalizing or isolating equipment on distribution circuits up to 38 kV. These switches are quality constructed to ensure stable high current capability and full thermal capacity under the required duties of today's load and short circuit conditions.

Features and detailed description

Application

The D-73P disconnect switch is a single-phase hookstick-operated switch to sectionalize or isolate overhead lines on electrical distribution systems up to 38 kV. The switch can be mounted in a vertical, underhung, pole-mounted, or single/double crossarm configuration. A variety of terminal connections are available to customize this switch to fit the user's needs. Contact your Eaton representative for more information.

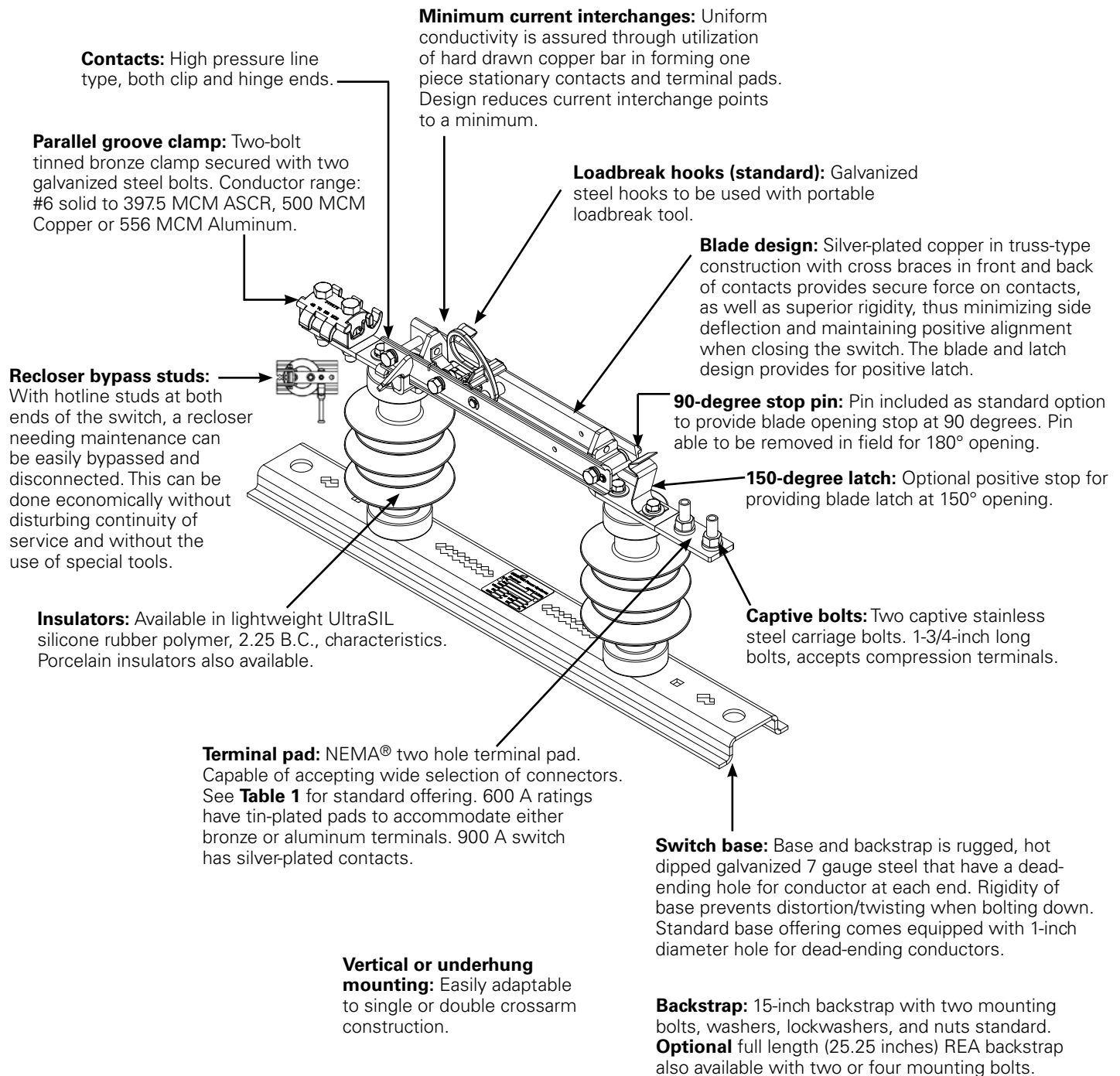


Figure 1. D-73P disconnect switch with features

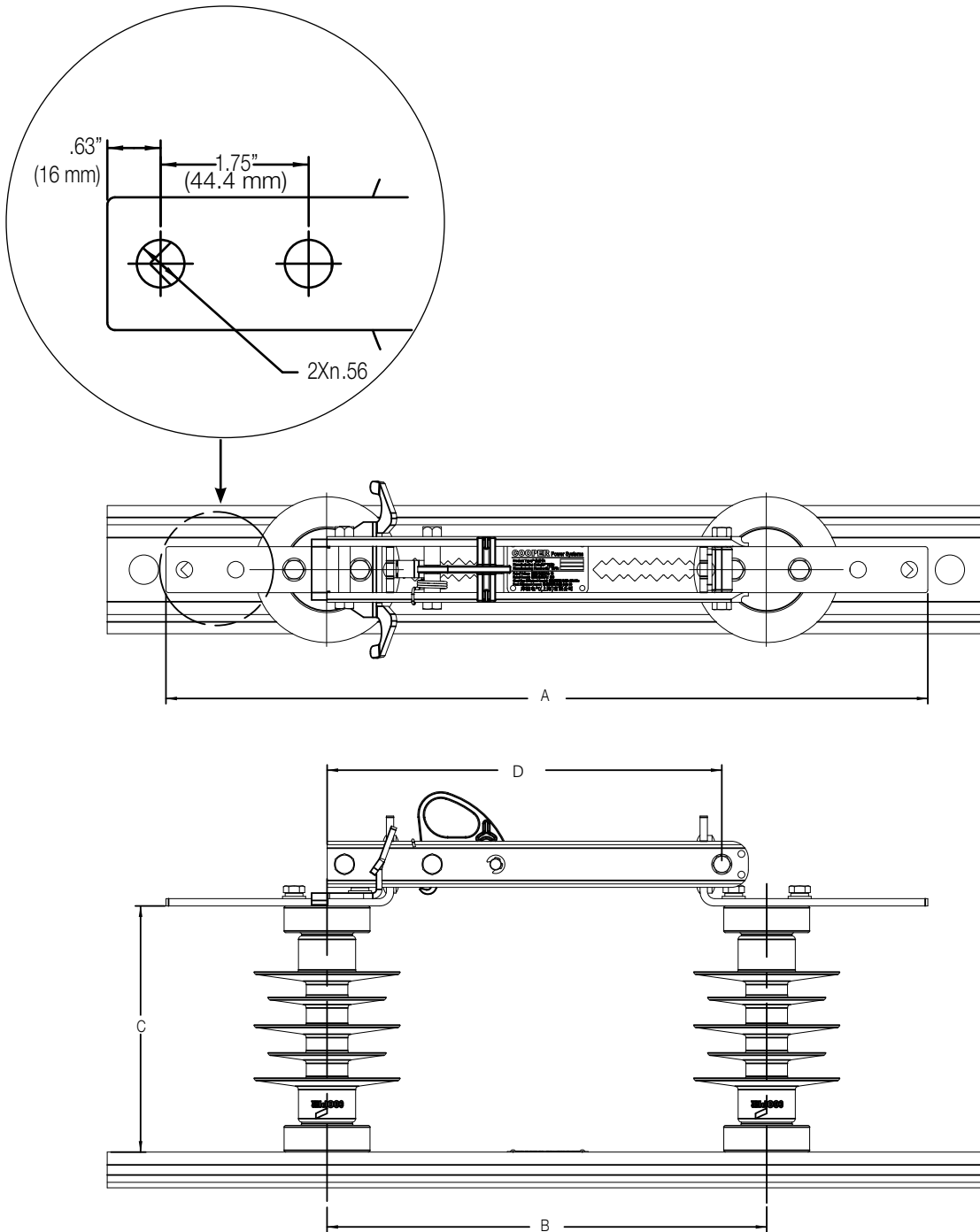
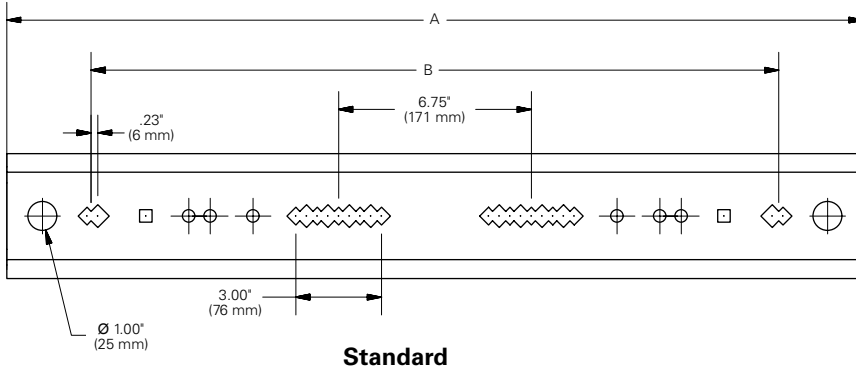


Figure 2. D-73P dimensional data

Table 1. D-73P disconnect switch ratings

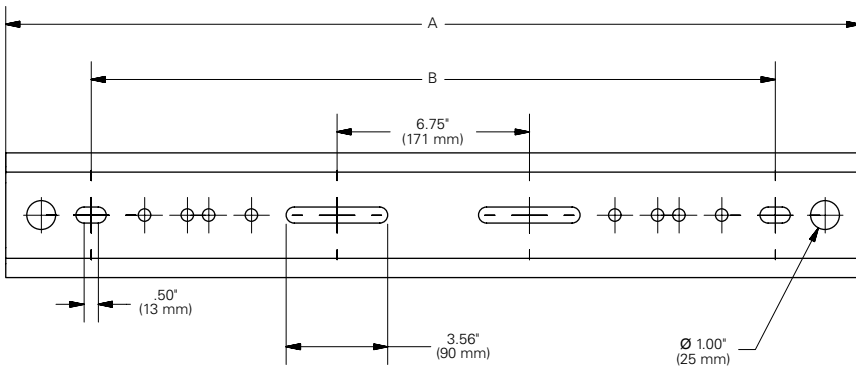
Insulation material	Ratings ①			Catalog number		Dimensional data inches (mm)					Insulator mechanical ratings			
	kV max. design	BIL kV	Peak kA	600 A	900 A	A	B	C	D	Creep	Switch weight lb	Cantilever	Tension, pounds	Torsion ft-lb
UltraSIL Polymer	15.5	110	65	D73P16S0	D73P19S0	26 (660)	15 (381)	8.4 (213)	14.38 (365)	20.2 (513)	26.5	1350	5000	350
UltraSIL Polymer	27	125	65	D73P26S0	D73P29S0	26 (660)	15 (381)	8.4 (213)	14.38 (365)	20.2 (513)	26.5	1350	5000	350
UltraSIL Polymer	27	150	65	D73P36S0	D73P39S0	29 (737)	18 (457)	10.8 (274)	16.75 (425)	28 (711)	33	1350	5000	350
UltraSIL Polymer	38	150	65	D73P46S0	D73P49S0	29 (737)	18 (457)	10.8 (274)	16.75 (425)	28 (711)	33	1350	5000	350
UltraSIL Polymer	38	200	65	D73P56S0	D73P59S0	34 (859)	23 (580)	15.0 (381)	21.3 (542)	38 (965)	45	1350	5000	350

① Meets IEEE Std C37.30.1™-2011 standard. Test reports available upon request.



Standard

Note: Serrated slot base is supplied with 3/8 inches by 9 inches long carriage bolt with square nuts and flat washer.



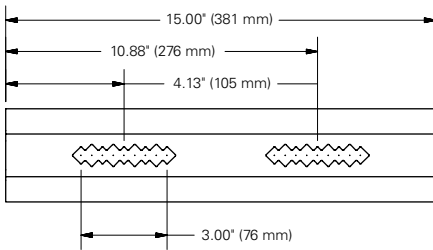
Smooth slot base

Note: Smooth slotted base is supplied with 1/2-inch diameter by 9 inches long carriage bolt with square nuts and flat washer.

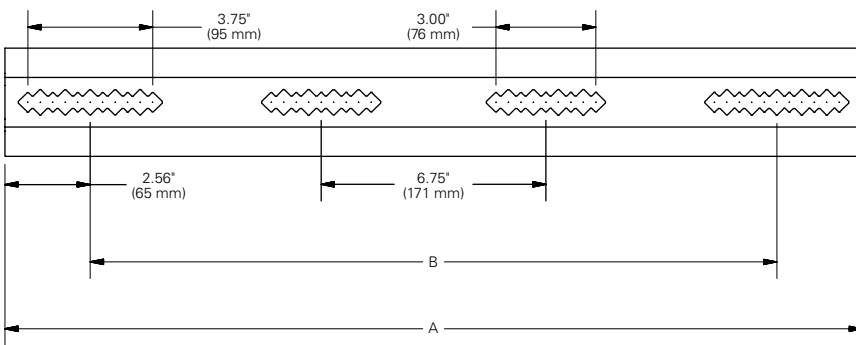
Table 2. Base channels

	BIL	Dimensions in inches (mm)	
		A	B
Standard	110, 125, 150	30.00 (762)	24.09 (612)
	200	37.85 (961)	31.94 (811)
Slotted	110, 125, 150	30.00 (762)	24.00 (610)
	200	31.94 (811)	31.90 (810)

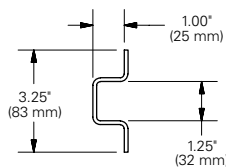
Figure 3. D-73P bases



Standard backstrap



REA serrated slot backstrap



Note: Serrated slot base is supplied with 3/8 inches by 9 inches long carriage bolt with square nuts and flat washer.

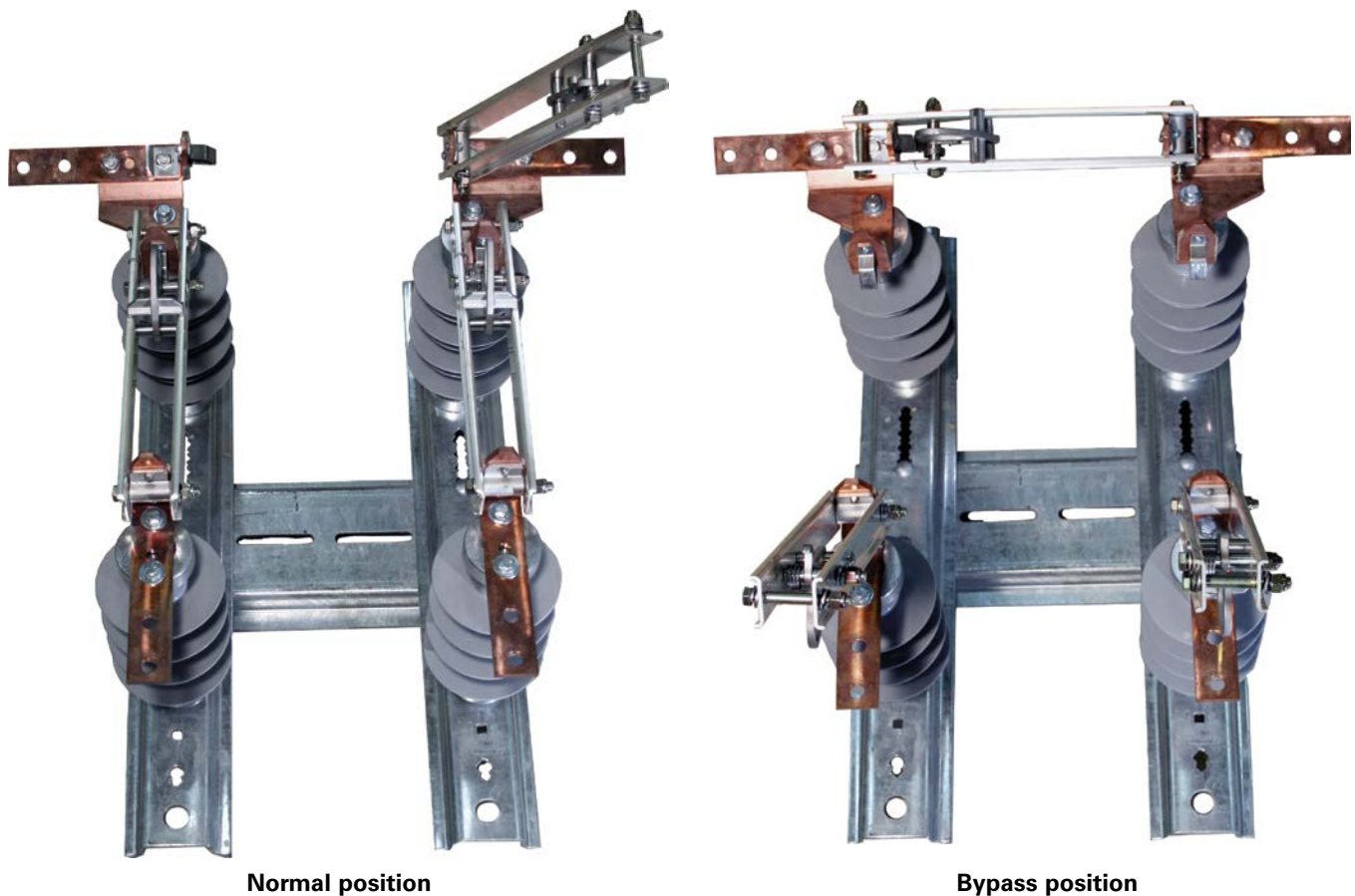
Table 3. REA backstrap

BIL	Dimensions in inches (mm)	
	A	B
110, 125, 150	25.75 (654)	20.63 (524)
200	33.60 (853)	31.94 (811.27)

Figure 4. D-73P backstraps

D-73P3 bypass switch

Eaton provides an economical way for bypassing and disconnecting pole-mounted distribution-class reclosers and regulators, permitting maintenance without disturbing continuity of service with its Cooper Power series UltraSIL polymer-insulated D-73P3 bypass switch.



Normal position

Bypass position

Figure 5. D-73P3 3-pull regulator/recloser bypass switch

Application

The D-73P3 bypass switch incorporates all the advanced design features of the D-73P switch into a compact 3-pull bypass unit. It consists of two hookstick-operated disconnect switches mounted on a galvanized channel with a bypass blade connected across the top terminals of each switch. The bypass blade can be arranged for either right-hand (standard) or left-hand operation (optional).

One mounting channel supports the entire switch for ease of installation and uncluttered appearance. The channel can be either crossarm mounted with a backstrap or bolted directly to a galvanized pole mounting bracket.

All switches have a positive blade lock to prevent opening under high momentary current. Easy opening and closing is assured by bolted braces providing consistent forces behind and in front of front latch mechanism.

The bypass blade is offset 30 degrees from the plane of the disconnect blades, so that the bypass switch can be operated when the switch is mounted vertically.

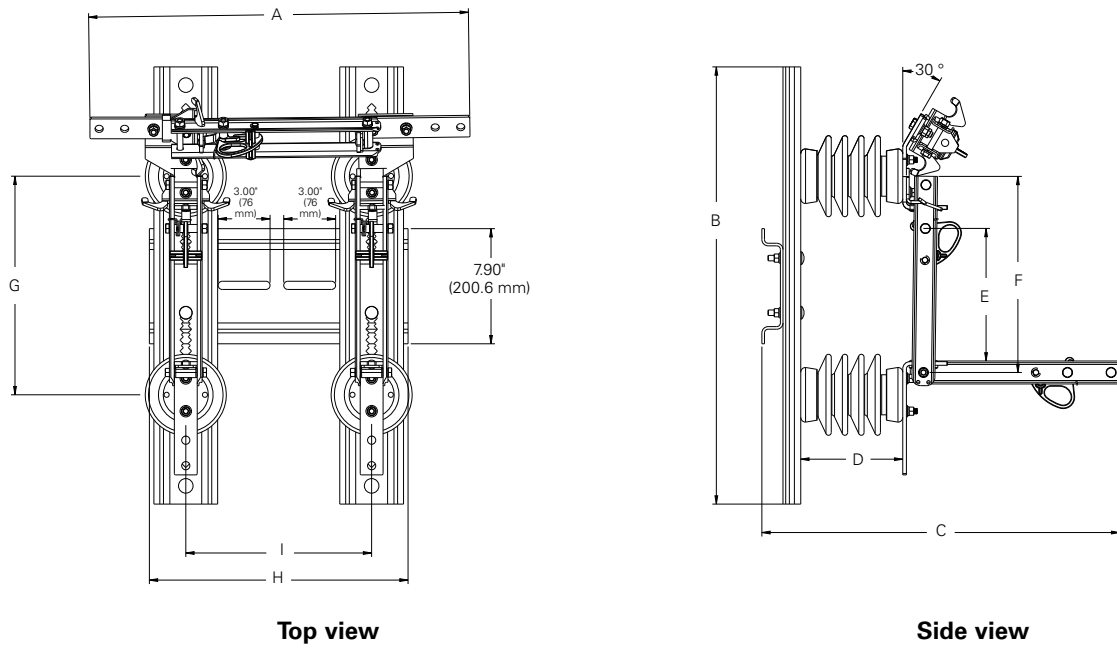


Figure 6. D-73P3 top and side view with dimensional data

Table 4. D-73P3 bypass switch ratings

Insulation material	Ratings			Catalog number		Insulator creep	Weight (lb)	Dimensional data inches (mm)								
	kV max. design	BIL kV	Peak kA	600 A	900 A			A	B	C	D	E	F	G	H	I
UltraSIL Polymer	15.5	110	65	D73316S0	D73319S0	20.2 (513)	62	26 (660)	30 (762)	25.95 (659)	8.4 (213)	9.1 (231)	13.45 (342)	15 (381)	17.75 (451)	12.75 (324)
UltraSIL Polymer	27	125	65	D73326S0	D73329S0	20.2 (513)	62	26 (660)	30 (762)	25.95 (659)	8.4 (213)	9.1 (231)	13.45 (342)	15 (381)	17.75 (451)	12.75 (324)
UltraSIL Polymer	27	150	65	D73336S0	D73339S0	28 (711)	75	29 (660)	30 (762)	28 (711)	10.8 (274)	13 (330)	15.75 (400)	18 (457)	20.75 (527)	15.75 (400)
UltraSIL Polymer	38	150	65	D73346S0	D73349S0	28 (711)	75	29 (660)	30 (762)	28 (711)	10.8 (274)	13 (330)	15.75 (400)	18 (457)	20.75 (527)	15.75 (400)

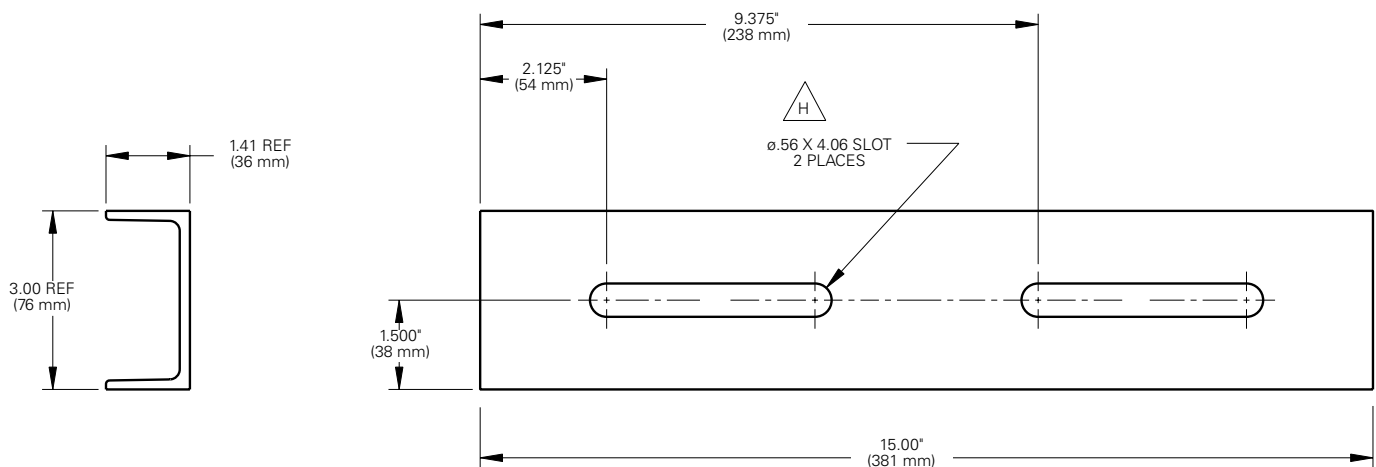


Figure 7. Backstrap for crossarm mount (standard offering)

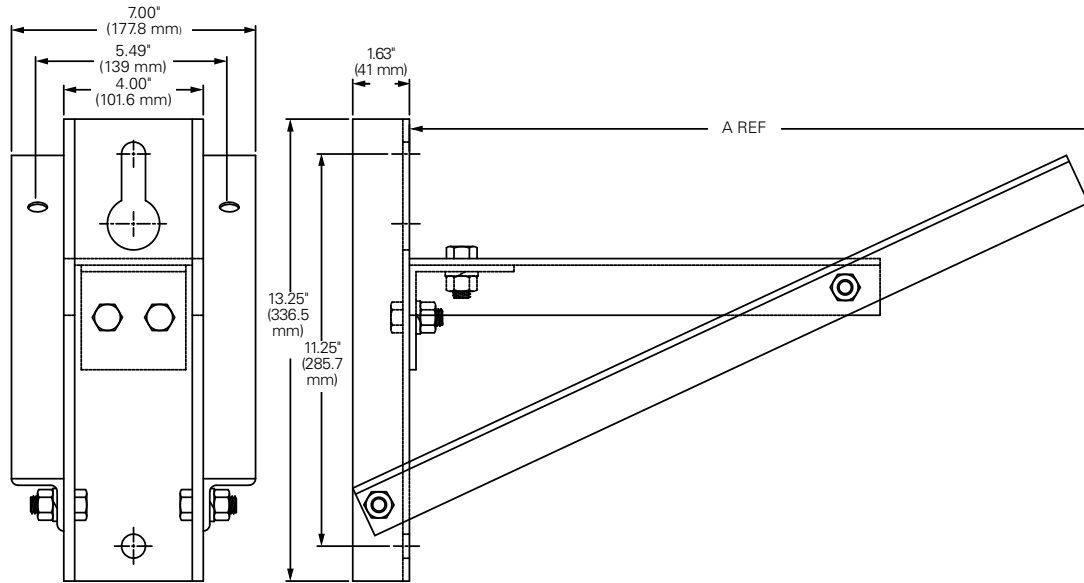


Figure 8. Pole-mount bracket and extended pole-mount bracket

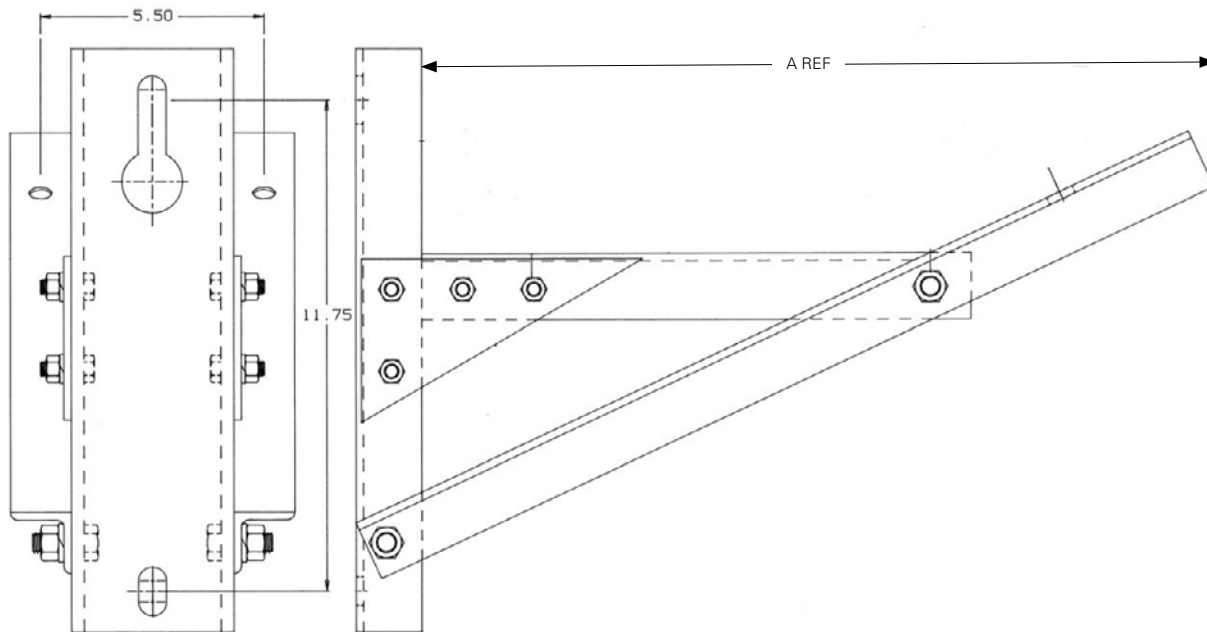


Figure 9. Cluster-mount bracket

Table 5. Pole-mount and cluster-mount brackets

Part Number	Dimension A (inches)	Application
262400-S6	19.57	Pole mount
262400-E-S6	25.45	Pole mount
262400-2-S6	19.57	Cluster mount

Ordering information required

To order a D-73P disconnect or D-73P3 bypass switch, use the catalog number noted in **Table 6**. Modify digits 4–9 to adapt the unit to the specific application.

Table 6. Ordering information

1	2	3	4	5	6	7	8	9																													
D	7	3	P	1	6	S	0	P																													
BASE CATALOG NUMBER																																					
CODE	SWITCHTYPE			CODE	VOLTAGE BIL		CODE	BASE																													
P	Distribution-Class Disconnect Switch (D-73P)			1	15 kV, 110 BIL		0 ①	Serrated Slot																													
3	Distribution-Class Recloser/Regulator Bypass Switch (D-73P3)			2	27 kV, 125 BIL		2	Smooth Slot																													
				3	27 kV, 150 BIL		① Digit 8 always "0" for D-73P3.																														
				4	38 kV, 150 BIL		<table border="1" style="width: 100%; border-collapse: collapse;"> <thead> <tr> <th style="text-align: center;">CODE</th> <th style="text-align: center;">OPTIONS</th> </tr> </thead> <tbody> <tr> <td style="text-align: center;">A</td> <td style="text-align: center;">150-Degree Latch ①</td> </tr> <tr> <td style="text-align: center;">B</td> <td style="text-align: center;">Bypass Studs (D-73P only) ①</td> </tr> <tr> <td style="text-align: center;">C</td> <td style="text-align: center;">Captive Bolts ①</td> </tr> <tr> <td style="text-align: center;">D</td> <td style="text-align: center;">REA Backstrap (2-3/8" x 9" Bolts) (D-73P only) see Figure 4</td> </tr> <tr> <td style="text-align: center;">E</td> <td style="text-align: center;">REA Backstrap (4-3/8" x 9" Bolts) (D-73P only) see Figure 4</td> </tr> <tr> <td style="text-align: center;">L</td> <td style="text-align: center;">Left-Hand Operation (D-73P3 only)</td> </tr> <tr> <td style="text-align: center;">M</td> <td style="text-align: center;">Pole-mount Bracket ② (D-73P3 only) see Figure 8</td> </tr> <tr> <td style="text-align: center;">N</td> <td style="text-align: center;">Without 90° Stop Pin ①</td> </tr> <tr> <td style="text-align: center;">P</td> <td style="text-align: center;">Parallel Groove Clamp ①③</td> </tr> <tr> <td style="text-align: center;">R</td> <td style="text-align: center;">No Backstrap</td> </tr> <tr> <td style="text-align: center;">S</td> <td style="text-align: center;">Stainless Steel Loadbreak Hook ①</td> </tr> <tr> <td style="text-align: center;">U</td> <td style="text-align: center;">Cluster Mounting Bracket (D-73P3 only) see Figure 9</td> </tr> <tr> <td style="text-align: center;">X</td> <td style="text-align: center;">Extended Pole-mount Bracket (D-73P3 only) see Figure 8</td> </tr> </tbody> </table>			CODE	OPTIONS	A	150-Degree Latch ①	B	Bypass Studs (D-73P only) ①	C	Captive Bolts ①	D	REA Backstrap (2-3/8" x 9" Bolts) (D-73P only) see Figure 4	E	REA Backstrap (4-3/8" x 9" Bolts) (D-73P only) see Figure 4	L	Left-Hand Operation (D-73P3 only)	M	Pole-mount Bracket ② (D-73P3 only) see Figure 8	N	Without 90° Stop Pin ①	P	Parallel Groove Clamp ①③	R	No Backstrap	S	Stainless Steel Loadbreak Hook ①	U	Cluster Mounting Bracket (D-73P3 only) see Figure 9	X	Extended Pole-mount Bracket (D-73P3 only) see Figure 8
CODE	OPTIONS																																				
A	150-Degree Latch ①																																				
B	Bypass Studs (D-73P only) ①																																				
C	Captive Bolts ①																																				
D	REA Backstrap (2-3/8" x 9" Bolts) (D-73P only) see Figure 4																																				
E	REA Backstrap (4-3/8" x 9" Bolts) (D-73P only) see Figure 4																																				
L	Left-Hand Operation (D-73P3 only)																																				
M	Pole-mount Bracket ② (D-73P3 only) see Figure 8																																				
N	Without 90° Stop Pin ①																																				
P	Parallel Groove Clamp ①③																																				
R	No Backstrap																																				
S	Stainless Steel Loadbreak Hook ①																																				
U	Cluster Mounting Bracket (D-73P3 only) see Figure 9																																				
X	Extended Pole-mount Bracket (D-73P3 only) see Figure 8																																				
				5 ①	38 kV, 200 BIL																																
				① Digit 5 can only be "5" for D-73P.																																	
				CODE	CURRENT																																
				6	600 A																																
				9	900 A																																
				CODE	INSULATOR MATERIAL																																
				S	Silicone Rubber																																
				P	Porcelain																																

Example: 600 A, 15 kV, D-73P disconnect switch in silicone rubber with standard base and parallel groove clamp = D73P16S0P

① See **Figure 1** on **page 2** for additional details on available options.
 ② 2-bolt backstrap standard for bypass switch.
 ③ Conductor range: #6 solid to 397.5 MCM ASCR, 500 MCM Copper or 556 MCM Aluminum.
Note: Leave digit 9 blank if no option is required.

D-73P-CD cutout disconnect switch

Eaton's Cooper Power series D-73P-CD single insulator cutout disconnect switch is single-phase hookstick-operated switch designed for operation at 600 A and 900 A on overhead distribution circuits rated up to 38 kV, 150 kV BIL. The cutout disconnect style switch is designed for riser pole applications where the switch is easily installed with included crossarm bracket much like a standard cutout. The lightweight switch package reduces the need of double crossarm mounting when using cutout bracket.

The cutout disconnect style switch combines Eaton's Cooper Power series Type L cutout and the live parts of D-73P disconnect switch to provide a rugged and reliable low-cost switching device. The field proven blade design offers silver-plated truss-type construction with cross braces in front and in back of contacts to minimize deflection, maintain positive alignment, and ensure efficient current transfer between blade and contacts.

The D-73P-CD switch comes standard with a loadbreak hook to be used with the tool for opening the switch under load. Loadbreak hooks also act as a blade alignment guide to help in safe, reliable closing operation. The D-73P-CD switch is easy to install using crossarm mounting bracket in the same manner as a cutout. Use a D-73P-CD switch where a lightweight switch package is required.



Figure 11. D-73P-CD disconnect switch with features

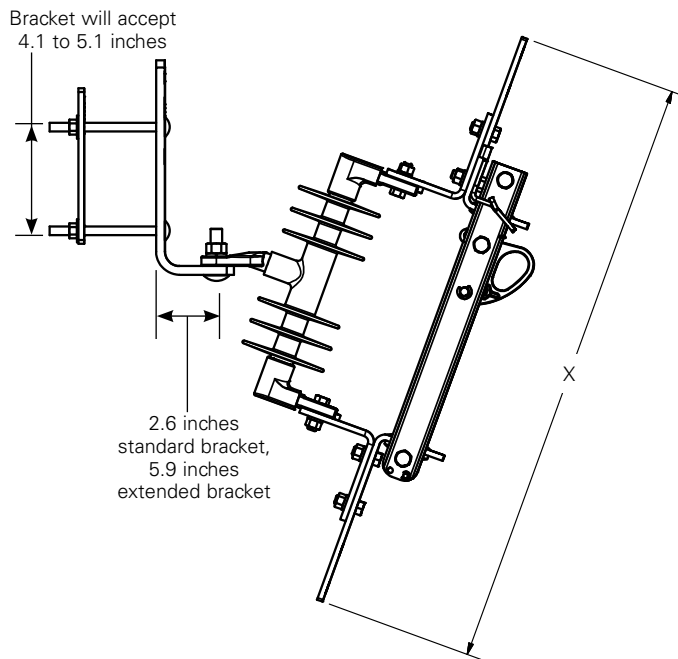


Figure 10. D-73P-CD disconnect switch with features

Table 7. Ratings

Catalog number	Ratings			Dimension	
	Max. voltage (kV)	Amperes (A)	BIL (kV)	Length "X" inches (mm)	Creep
D73CD16S0	15.5	600	110	26 (660)	14.2 (362)
D73CD19S0	15.5	900	110	26 (660)	14.2 (362)
D73CD26S0	27	600	125	26 (660)	14.2 (362)
D73CD29S0	27	900	125	26 (660)	14.2 (362)
D73CD36S0	27	600	150	29.5 (749)	22.3 (566)
D73CD39S0	27	900	150	29.5 (749)	22.3 (566)
D73CD46S0	38	600	150	29.5 (749)	22.3 (566)
D73CD49S0	38	900	150	29.5 (749)	22.3 (566)

① X = total switch length

D-73P-LT distribution-class line tap disconnect switch

Eaton's Cooper Power series D-73P-LT single insulator line tap disconnect switches are a single-phase hookstick-operated switch designed for operation at 600 A and 900 A on distribution circuits to 38 kV, 150 kV BIL.

Line tap style disconnect switches provide a rugged and reliable disconnect option for an assortment of cable-riser and crossover applications. The silver-plated copper truss-type blade assembly provides superior strength and smooth reliable latching mechanism. The D-73P-LT switch comes standard with loadbreak hook to be used with tool for opening switch under load. Loadbreak hooks also act as a blade alignment guide to help in safe, reliable closing operation.

Standard polymer insulators provide reduced weight and added durability for easier installation and enhanced ruggedness in the field. Many available options, accessories, and hanging configurations make the D-73P-LT switch a flexible solution to any overhead line tap application.



Figure 12. D-73P-LT disconnect switch with features

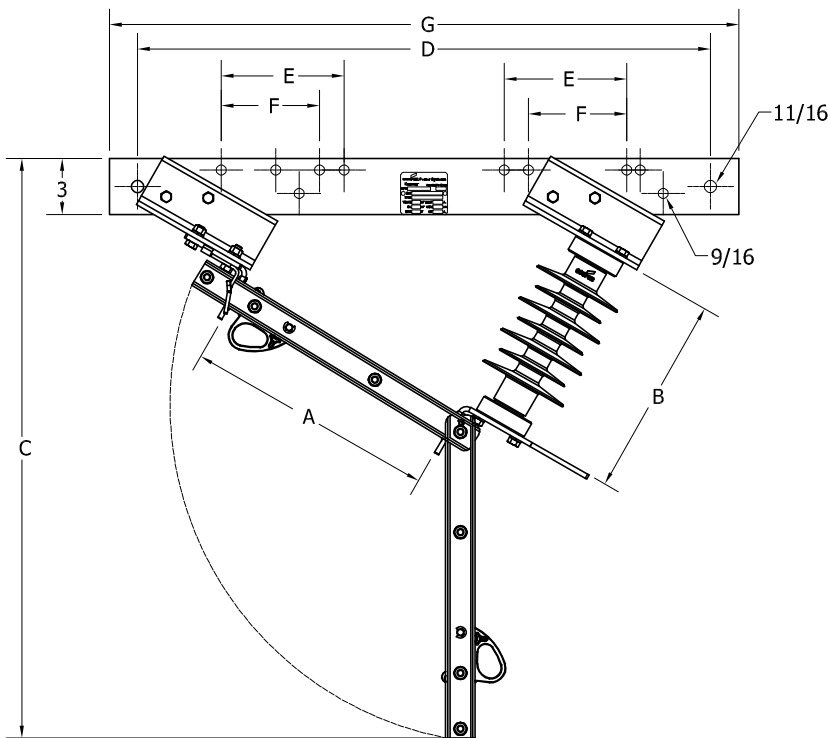
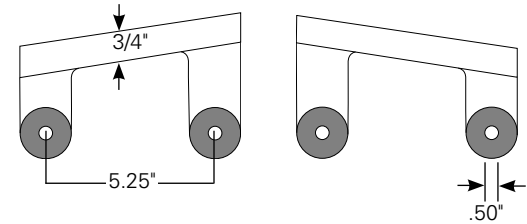
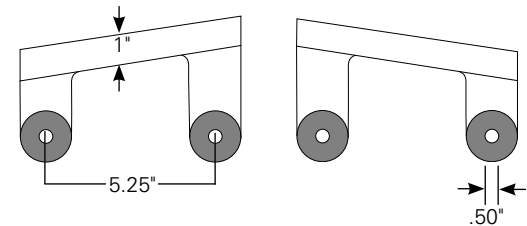


Figure 13. D-73P-LT disconnect switch with features

Angled hanger set 3/4-inch diameter



Angled hanger set 1-inch diameter



Straight hanger set 1-inch diameter

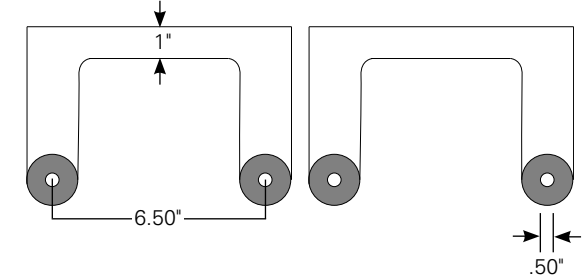


Table 8. Catalog numbers and ratings

Catalog number	Ratings			Dimensional data inches (mm)						
	Max. voltage (kV)	Amperes (A)	BIL (kV)	A	B	C	D	E	F	G
D73LT16S0	15.5	600	110	10.5 (267)	8.375 (213)	28.0 (711)	27.25 (692)	—	5.25 (133)	30.25 (768)
D73LT19S0	15.5	900	110	10.5 (267)	8.375 (213)	28.0 (711)	27.25 (692)	—	5.25 (133)	30.25 (768)
D73LT26S0	27	600	125	10.5 (267)	8.375 (213)	28.0 (711)	27.25 (692)	—	5.25 (133)	30.25 (768)
D73LT29S0	27	900	125	10.5 (267)	8.375 (213)	28.0 (711)	27.25 (692)	—	5.25 (133)	30.25 (768)
D73LT36S0	27	600	150	13.5 (343)	10.75 (273)	31.0 (787)	30.625 (778)	6.50 (165)	5.25 (133)	33.625 (854)
D73LT39S0	27	900	150	13.5 (343)	10.75 (273)	31.0 (787)	30.625 (778)	6.50 (165)	5.25 (133)	33.625 (854)
D73LT46S0	38	600	150	13.5 (343)	10.75 (273)	31.0 (787)	30.625 (778)	6.50 (165)	5.25 (133)	33.625 (854)
D73LT49S0	38	900	150	13.5 (343)	10.75 (273)	31.0 (787)	30.625 (778)	6.50 (165)	5.25 (133)	33.625 (854)

D-73P-VS distribution-class V-style crossarm switch

Eaton designs its Cooper Power series D-73P-VS distribution-class V-style crossarm switches for operation at 600 A and 900 A on distribution circuits rated up to 38 kV, 150 BIL.

The silver-plated copper truss-type blade assembly provides superior strength and smooth reliable latching mechanism. The field proven blade design offers silver-plated truss-type construction with cross braces in front and in back of contacts to minimize deflection, maintain positive alignment, and ensure efficient current transfer between blade and contacts. D-73P-VS switches come standard with a loadbreak hook to be used with tool for opening switch under load. Loadbreak hooks also act as a blade alignment guide to help in safe, reliable closing operation. Standard polymer insulators provide reduced weight and added durability for easier installation and enhanced ruggedness in the field.



Figure 14. D-73P-VS disconnect switch with HOM-style base

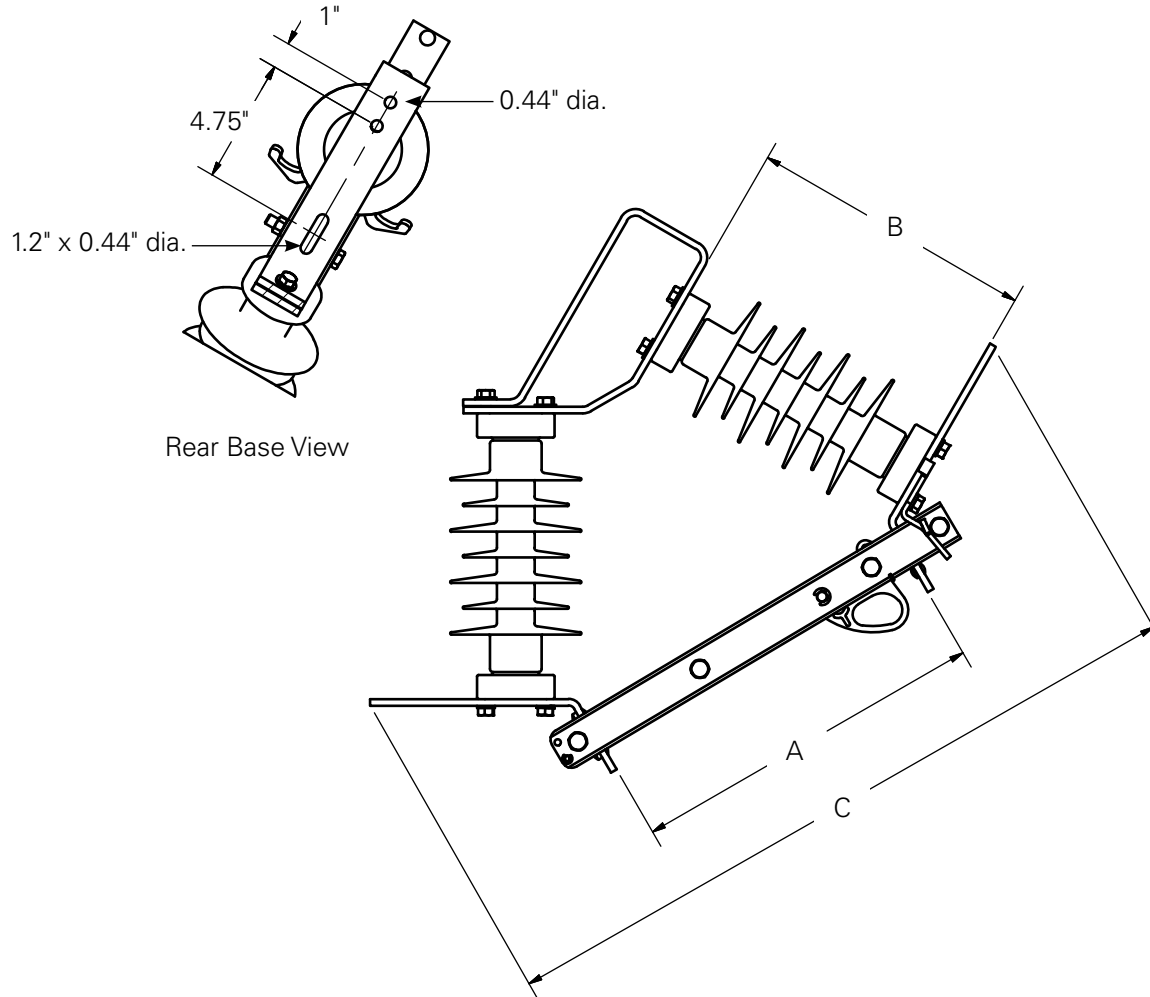


Figure 15. D-73P-VS disconnect switch with HOM-style base

Table 9. Catalog numbers and ratings

Catalog number	Ratings				Dimensions inches (mm)		
	Max. voltage (kV)	Amperes (A)	BIL (kV)	Creep	A	B	C
D73VS16S4	15.5	600	110	20.2 (513)	10.50 (267)	8.375 (213)	24.25 (616)
D73VS19S4	15.5	900	110	20.2 (513)	10.50 (267)	8.375 (213)	24.25 (616)
D73VS26S4	27	600	125	20.2 (513)	10.50 (267)	8.375 (213)	24.25 (616)
D73VS29S4	27	900	125	20.2 (513)	10.50 (267)	8.375 (213)	24.25 (616)
D73VS36S4	27	600	150	28.0 (711)	13.50 (343)	10.75 (273)	27.00 (686)
D73VS39S4	27	900	150	28.0 (711)	13.50 (343)	10.75 (273)	27.00 (686)
D73VS46S4	38	600	150	28.0 (711)	13.50 (343)	10.75 (273)	27.00 (686)
D73VS49S4	38	900	150	28.0 (711)	13.50 (343)	10.75 (273)	27.00 (686)

Ordering information required

To order a D-73 disconnect switch, use the catalog number noted in **Table 10**. Modify configuration digits 4–10 as required to adapt the unit to the specific application.

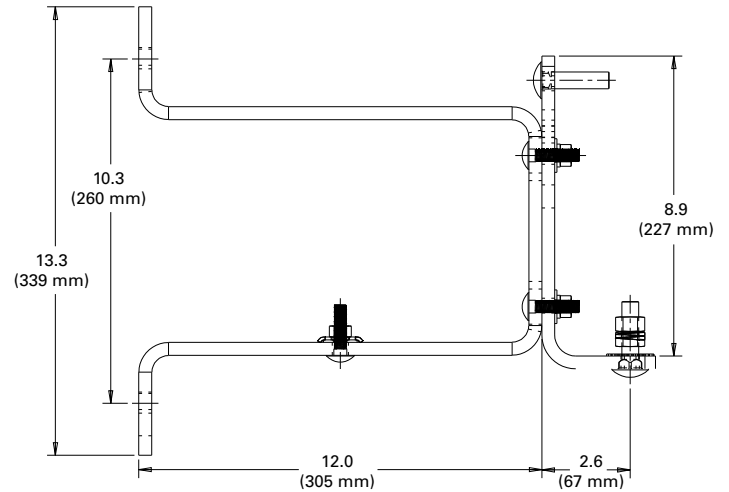


Figure 16. NEMA D bracket with standard L bracket only

Table 10. Ordering information

1	2	3	4	5	6	7	8	9	10		
D	7	3	C	D	1	6	S	0	X		
BASE CATALOG NUMBER											
CODE	DESCRIPTION		CODE	VOLTAGE, BIL		CODE	INSULATOR MATERIAL				
CD	Cutout Disconnect Switch		1	15.5 kV, 110 BIL		S	Silicone Rubber				
LT	Line Tap Switch		2	27 kV, 125 BIL							
VS	Crossarm Vertical Switch		3	27 kV, 150 BIL							
			4	38 kV, 150 BIL							
					CODE	AMP		CODE	BASE		
					6	600 A		0	CD, LT		
					9	900 A		4	HOM Base for VS		
									CODE	OPTION	
									A	150-Degree Latch ②	
									C	Captive Bolts (1.75" Long, SST) ②	
									D	NEMA D Bracket (for CD)	
									N	No Mounting Bracket (for CD)	
									P	Parallel Groove Connector ②	
									X	Extended Mounting Bracket (For CD)	
									H3 ①	1" Straight Hanger (LT Type Only)	
									H4	1" Angled Hanger (LT Type Only)	
									H5	3/4" Angled Hanger (LT Type Only)	

Example: D73CD16S0X - 600 A, 15 kV, D73-CD switch with silicone rubber insulators and extended mounting bracket.

① 1-inch straight hanger not available on switches with option code 1 or 2 in digit 6.
 ② See **Figure 1** for additional details on available options.

Note: Leave digit 10 blank if no option is required.

D-73P-TS distribution-class in-line disconnect switch

Eaton's Cooper Power series D-73P-TS single insulator in-line tension switches are single-phase hookstick-operated manual switches designed for operation of overhead lines on distribution circuits of 15 kV through 38 kV, 150 kV BIL or 200 kV BIL. The D-73P-TS switches are rated at 600 A or 900 A continuous current and may be applied directly into the line wherever line sectionalizing is desired.

The in-line tension style switches provides a rugged and reliable disconnect option for line sectionalizing. The silver-plated D73 type copper truss-type blade assembly provides superior strength and smooth reliable latching mechanism. The switches come standard with loadbreak hook to be used with the appropriate tool for opening the switches under load. Loadbreak hooks also act as a blade alignment guide to help in safe, reliable closing operation.

UltraSIL silicone rubber polymer insulator with crimped end fittings provides reduced weight and added durability for easier installation and enhanced ruggedness in the field. The extra long creep makes the switch ideal for high pollution and coastal environments.

The switch is equipped with terminals providing NEMA® spacing in several different directions. This allows for increased flexibility during installation depending on the application requirements.



Figure 18. In-line tension switch in closed position

Table 11. Catalog numbers and ratings

Base catalog number	Continuous current (A)	BIL (kV)	Power frequency dry 60 sec (kV)	Momentary current (rms kA)	Momentary current (Peak kA)	Insulator creep distance		Rated ultimate tension strength	
						(Inches)	(mm)	(lb)	(N)
D73TS36S0	600	150	70	25	65	23.2	589	15,000	66,723
D73TS39S0	900								
D73TS56S0	600	200	95	25	65	38.9	988	15,000	66,723
D73TS59S0	900								

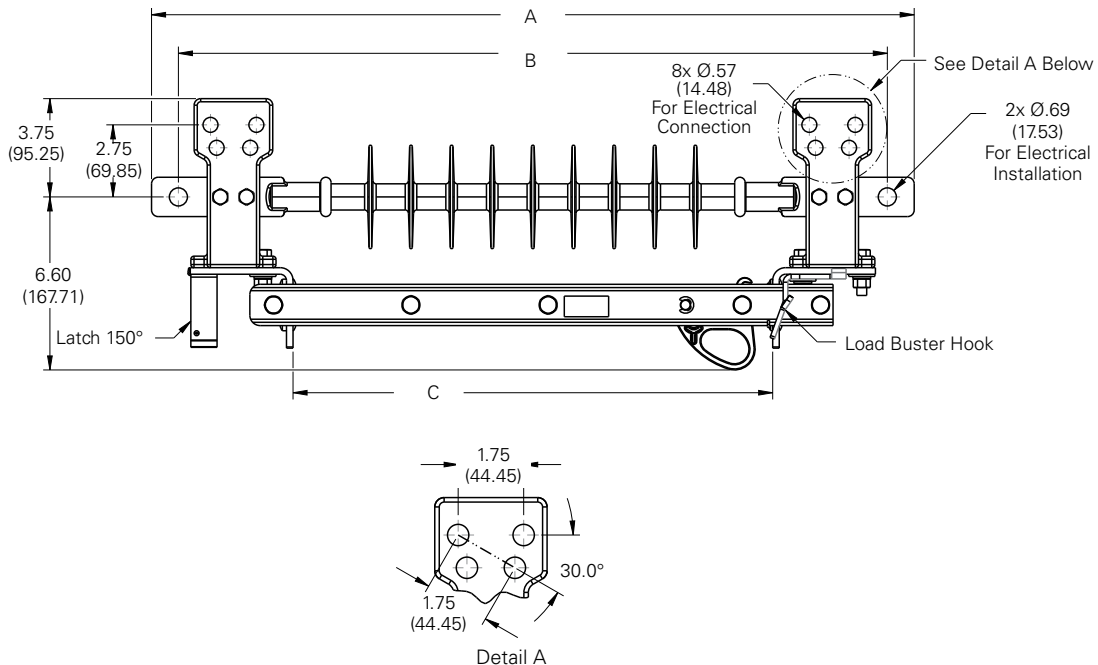


Figure 17. D-73P-TS in-line tension disconnect switch with features

Table 12. Dimensional information

Base catalog number	Continuous current (A)	BIL (kV)	Dimensional data in inches (mm)		
			A	B	C
D73TS36S0	600	150	24.1 (612)	22.1 (560)	13.3 (338)
D73TS39S0	900	150	24.1 (612)	22.1 (560)	13.3 (338)
D73TS56S0	600	200	29.1 (739)	27.1 (687)	18.3 (465)
D73TS59S0	900	200	29.1 (739)	27.1 (687)	18.3 (465)

Ordering information

To order a D-73P-TS in-line tension disconnect switch, use the base catalog number noted in **Table 12**. Add options as required from **Table 13**.

Table 13. Options

Code	Option
A	150-degree latch (see Figure 16)
P	Parallel groove connectors ①
Y	Four SS terminal bolts with hardware
U	45-degree two-hole NEMA contact pad

① Conductor range: #6 solid to 397.5 MCM ASCR, 500 MCM copper or 556 MCM aluminum.

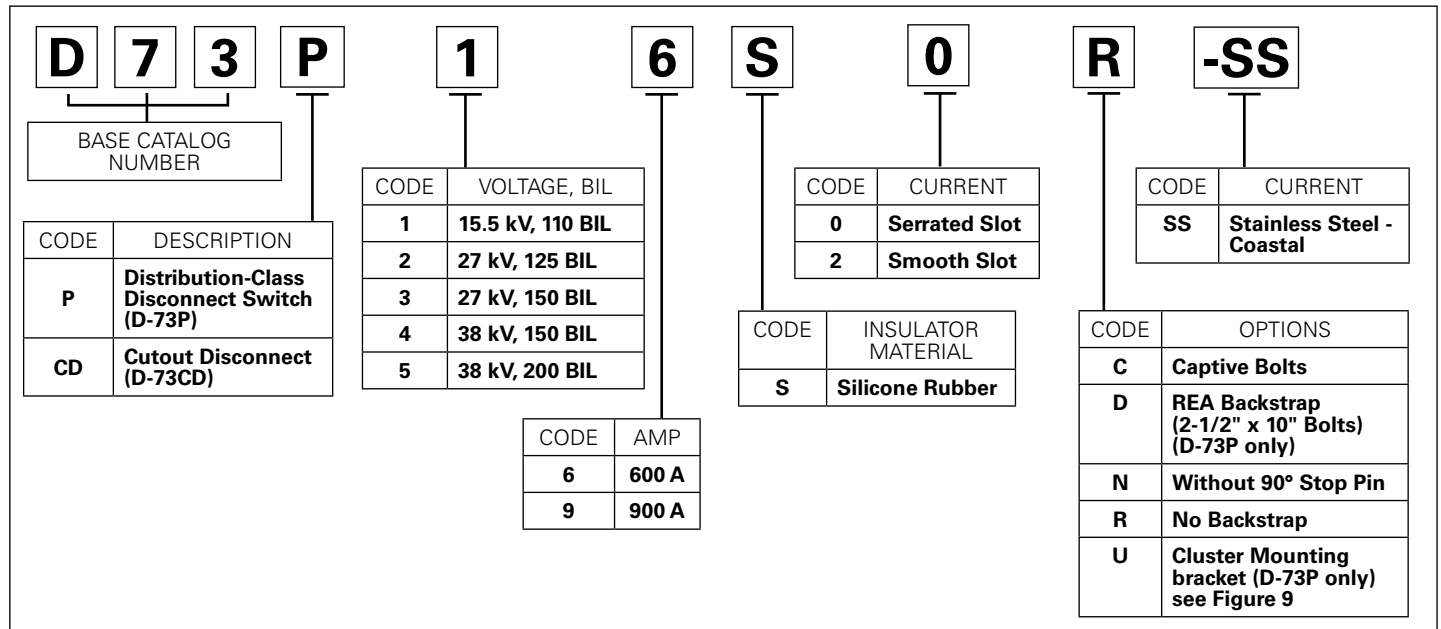
Coastal—corrosion-resistant switches

Eaton offers a selection of our most popular switch styles improved for corrosion resistance. Switch styles with coastal corrosion resistance options:

- D-73P single-phase disconnect
- D-73CD single-phase cutout disconnect

Coastal versions of the D-73 single-phase switches incorporate a rugged stainless steel base, hardware, and load-buster hooks that prevent pitting and corrosion in even the harshest environments.

Table 14. Ordering information



Eaton
1000 Eaton Boulevard
Cleveland, OH 44122
United States
Eaton.com

Eaton's Power Systems Division
2300 Badger Drive
Waukesha, WI 53188
United States
Eaton.com/cooperpowerseries

© 2024 Eaton
All Rights Reserved
Printed in USA
Publication No. CA008005EN / ZD28568
Marh 2024

Eaton is a registered trademark.
All other trademarks are property
of their respective owners.

For Eaton's Cooper Power series product
information, call 1-877-277-4636
or visit: www.eaton.com/cooperpowerseries.