

# Type BRX thermal-magnetic circuit breaker



## Product description

Eaton's type BRX circuit breaker was designed for electrical systems requiring short-circuit ratings up to 65 kAIC. Available from 60 A to 125 A, the BRX is compatible with Eaton's group metering and type BR loadcenter product lines.

## Design features

- Compact 1-inch per pole high rating circuit breaker
- Designed for 65 kAIC group metering applications
- Suitable for type BR loadcenters

## Product selection

Table 1. Type BRX Selection Chart

Ampere Rating	No. of Poles	kAIC Rating	Wire	Catalog Number
60	2	65	#14-2/0	<b>BRX260</b>
70	2	65	#14-2/0	<b>BRX270</b>
80	2	65	#14-2/0	<b>BRX280</b>
90	2	65	#14-2/0	<b>BRX290</b>
100	2	65	#14-2/0	<b>BRX2100</b>
110	2	65	#14-2/0	<b>BRX2110</b>
125	2	65	#14-2/0	<b>BRX2125</b>

Table 2. Specifications

Description	Specification
Type designation	BR
Catalog numbers	BRX260, BRX270, BRX280, BRX290, BRX2100, BRX2110, BRX2125
Voltage requirement	120/240 V
Frequency requirement	50/60 Hz
Ambient temperature	-31 °C to +66 °C (+32 °F to +151 °F)
Humidity	0 % to 93 % humidity, noncondensing
Standards	UL 489—molded-case circuit breakers and molded-case switches CSA®—circuit breaker enclosures
UL® file number	E-7819



Powering Business Worldwide

**Dimensions**

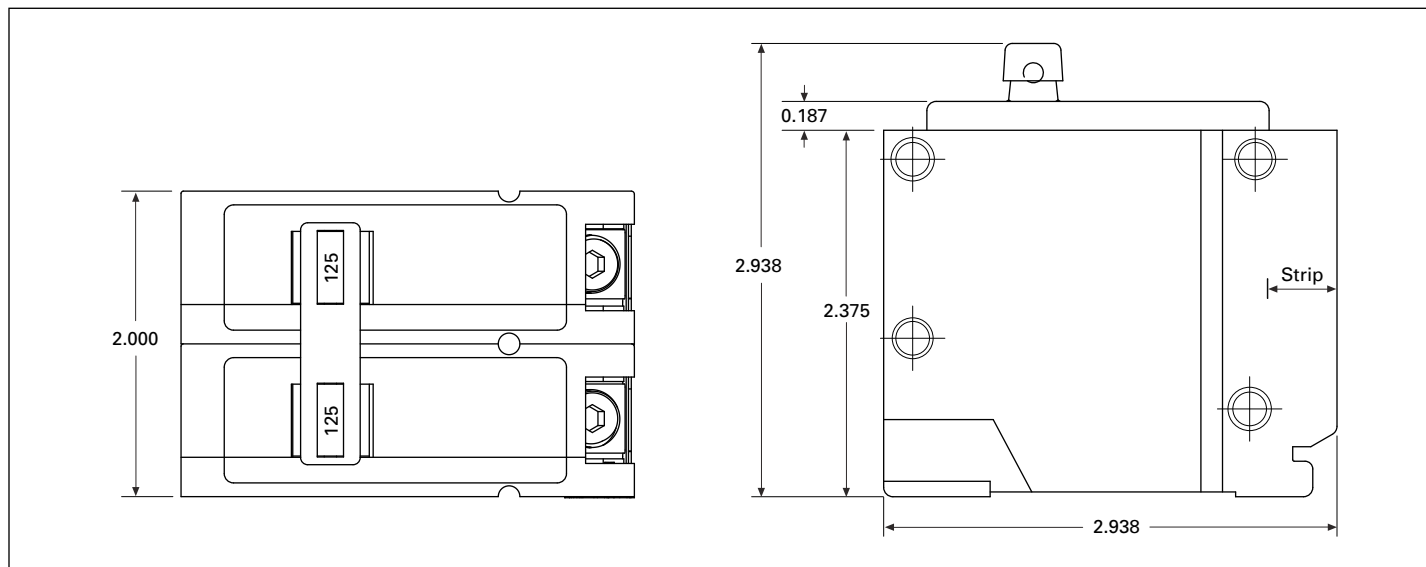


Figure 1. BRX Breaker Dimensions in Inches

Table 3. Series Combination Short-Circuit Ratings

Main Module Overcurrent Device Breaker Type or Class Fuse ①	System AIC Rating 120/240 Vac Maximum	Meter Module Tenant Feeder Breaker Type 1MM, 3MM, or Loadcenter Main Breaker	Tenant Feeder Breaker Short- Circuit Rating	Loadcenter Branch Breaker (Single-, Two- or Three-Pole)
Without main disconnect Cable tap box Type 1MTB_, 3MTB_	65,000	BRX	65,000	BD, BR, BRD, BQ, BQC, GFCB, CH, CHT, CH-GFCI, CHF, BRCAF, CHCAF
Main switch module Type 1MFS_, 3MFS_ with Class T fuse, 1200 A maximum	65,000	BRX	65,000	BD, BR, BRD, BQ, BQC, GFCB, CH, CHT, CH-GFCI, CHF, BRCAF, CHCAF
Main switch module Type 1BPS_, 3BPS_ with Class L fuse, 1200–2000 A	65,000	BRX	65,000	BD, BR, BRD, BQ, BQC, GFCB, CH, CHT, CH-GFCI, CHF, BRCAF, CHCAF
Main breaker module Type 1MCB_, 3MCB_ with KD, HKD (400 A maximum) LD, HLD (600 A maximum) MDL, HMDL (800 A maximum) ND, NGS, HND, NGH (1200 A maximum) RD, RGH (2000 A maximum)	65,000	BRX	65,000	BD, BR, BRD, BQ, BQC, GFCB, CH, CHT, CH-GFCI, CHF, BRCAF, CHCAF

① For complete series rating list, please see Volume 1, Tab 5.

**Eaton**  
1000 Eaton Boulevard  
Cleveland, OH 44122  
United States  
Eaton.com

© 2014 Eaton  
All Rights Reserved  
Printed in USA  
Publication No. TD012040EN / Z15368  
July 2014



Eaton is a registered trademark.

All other trademarks are property  
of their respective owners.