

# Decorator standard grade switches

Project Name:	Prepared By:
Project Number:	Date:
Catalog Number:	Type:

## Description

Single pole, 3-Way, 4-Way  
15A, 120/277V/AC

## Design features

- Thermoplastic rocker, top and backbody are virtually unbreakable, promising years of durable performance
- Ultrasonic welding and integrated construction of the strap and body provide superior integrity
- Backwire clamps on the side terminals provide for easy installation of #12 and #14 AWG wire
- Push-in terminals accept #14 AWG solid wire
- Stippled ground screw terminal standard
- 120/277V/AC rating ideal for fluorescent lighting fixtures and a broad variety of applications
- Long, broad mounting strap virtually eliminates floating installations
- Patented built-in wire stripper for #12 and #14 AWG wire to speed installation
- Tri-combo screws accept Slotted, Phillips, and Robertson-head tools for installation flexibility
- Lighted switches glow in "OFF" position



7501



7503



7501-9



7504



7511



7513

Table 1. Decorator Switches



Rating					
A	V/AC	Description	Color suffix	Catalog no.	
15	120/277	Single pole, back wire, push wire	B, BK, GY, LA, V, W	□ 7501__	•
		Auto-grounding single pole, back wire, push wire	B, BK, GY, LA, V, W	□ 7501-9__	•
		3-way, back wire, push wire	B, BK, GY, LA, V, W	□ 7503__	•
		Auto-grounding 3-way, back wire, push wire	B, BK, GY, LA, V, W	□ 7503-9__	•
		4-way, back wire, push wire	B, BK, GY, LA, V, W	□ 7504__*	
		Lighted single pole, back wire, push wire	LA, V, W	□ 7511__	
		Lighted 3-way, back wire, push wire	LA, V, W	□ 7513__	

cULus Listed to UL20, file no. E18704; 7504 also UL Listed to Federal Spec WS-896E  
\*Fed Spec.



Powering Business Worldwide

Compliances, specifications and availability are subject to change without notice.

Project Name:	Prepared By:
Project Number:	Date:
Catalog Number:	Type:

## Applications

GFCI receptacles are designed with the safety of the user in mind. In commercial and industrial areas like public bathrooms, breakrooms and food service areas, the NEC requires GFCI receptacles. Arrow Hart GFCI receptacles are UL Listed and fully compliant with all of the latest UL943 Class A GFCI and UL498 requirements. Additionally, GFCIs incorporate lock-out functionality to protect against mis-wired line-load connections and GFCI circuitry damage.

**Table 4. Specifications**

Catalog No.	7501, 7503, 7504 Series	7511, 7513 Series
<b>Device type</b>	<b>Specification grade</b>	<b>Specification grade tamper resistant duplex</b>
<b>Wiring type</b>	Back & side wire	Back & side wire
<b>Testing &amp; code compliance</b>	<ul style="list-style-type: none"> <li>cULus Listed to UL 498 and UL 943, file no. E18704</li> <li>Meets all UL 943 (GFCI), UL 498 (receptacles) and applicable CSA requirements</li> <li>NOM certified</li> </ul>	<ul style="list-style-type: none"> <li>cULus Listed to UL 498 and UL 943, file no. E60120</li> <li>Meets all UL 943 (GFCI), UL 498 (receptacles) and applicable CSA requirements</li> <li>NOM certified</li> </ul>
<b>Environmental specifications</b>	<b>Flammability:</b> Meets UL 94 requirements; V2 rated <b>Temperature rating:</b> -35°C to 66°C (-31°F to 150.8°F)	<b>Flammability:</b> Meets UL 94 requirements; V2 rated <b>Temperature rating:</b> -35°C to 66°C (-31°F to 150.8°F)
<b>Electrical specifications</b>	<b>Dielectric voltage:</b> Withstands 2000V per UL 498 <b>Current interrupting:</b> Yes, at full-rated current <b>Temperature rise:</b> Max. 30°C (86°F) after 100 cycles of overload @ 150% of rated current (DC) <b>Trip time:</b> 0.025 seconds (Class A) <b>Frequency:</b> 60 Hz; Voltage: 125V; Amperage: 15A/20A 20A feed-through <b>Short circuit testing:</b> Meets and exceeds 10 kA <b>Maximum interrupting capacity:</b> 20 Amps	<b>Dielectric voltage:</b> Withstands 2000V per UL 498 <b>Current interrupting:</b> Yes, at full-rated current <b>Temperature rise:</b> Max. 30°C (86°F) after 100 cycles of overload @ 150% of rated current (DC) <b>Trip time:</b> 0.025 seconds (Class A) <b>Frequency:</b> 60 Hz; Voltage: 125V; Amperage: 15A/20A 20A feed-through <b>Short circuit testing:</b> Meets and exceeds 10 kA <b>Maximum interrupting capacity:</b> 20 Amps
<b>Mechanical specifications</b>	<b>Terminal accommodation:</b> #14 - 10 AWG <b>Voltage ratings:</b> Permanently marked on device	<b>Terminal accommodation:</b> #14 - 10 AWG <b>Voltage ratings:</b> Permanently marked on device

**Table 2. Materials**

Catalog No.	7501, 7503, 7504 Series	7511, 7513 Series
<b>Top housing</b>	Thermoplastic, nylon 6/6	Thermoplastic, nylon 6/6
<b>Bottom housing</b>	Thermoplastic, PVC	Thermoplastic, PVC
<b>Strap</b>	0.045-0.050" thick steel, zinc-plated	0.045-0.050" thick steel, zinc-plated
<b>Line contacts</b>	0.030" thick brass	0.030" thick brass
<b>Terminal &amp; ground screws</b>	#8-32 steel, brass-plated; neutral screw nickel-plated, ground screw green, zinc-plated	#8-32 steel, brass-plated; neutral screw nickel-plated, ground screw green, zinc-plated
<b>Terminal clamps</b>	0.070" thick steel	0.070" thick steel

**Table 3. Color ordering information**

For ordering devices, include Catalog no. followed by the Color suffix: A (Almond), B (Brown), BK (Black), GY (Gray), LA (Light Almond), RB (Oil Rubbed Bronze), SG (Silver Granite), V (Ivory), W (White)

<b>A</b>	<b>B</b>	<b>BK</b>	<b>GY</b>	<b>LA</b>	<b>RB</b>	<b>SG</b>	<b>V</b>	<b>W</b>
Almond	Brown	Black	Gray	Light Almond	Oil Rubbed Bronze	Silver Granite	Ivory	White

Project Name:	Prepared By:
Project Number:	Date:
Catalog Number:	Type:

**Product dimensions**

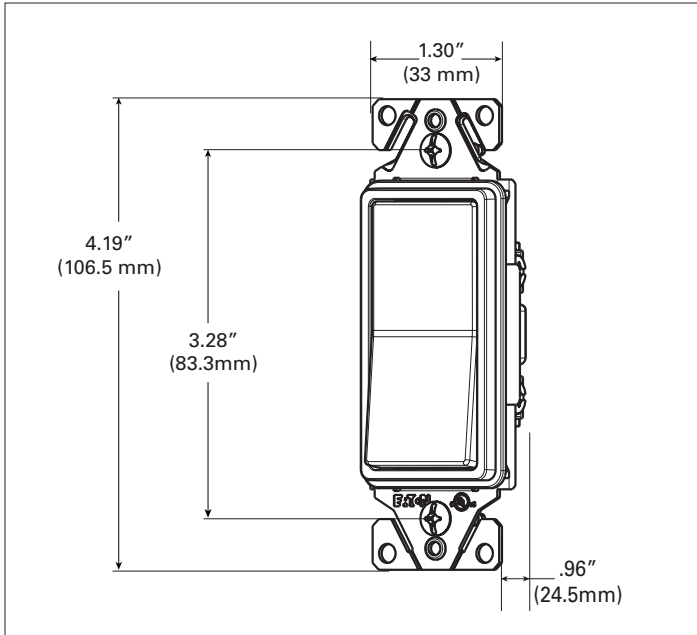


Figure 1. 7501 & 7503 Line art with dimensions

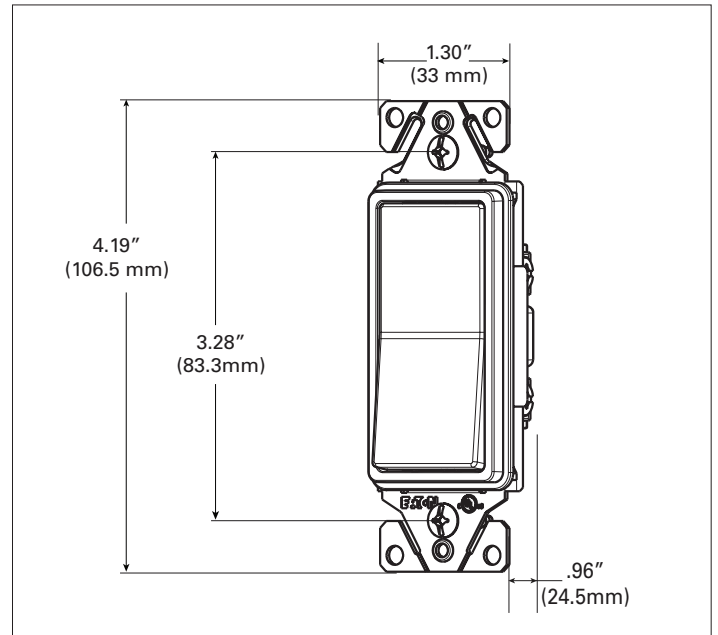


Figure 2. 7504 Line art with dimensions

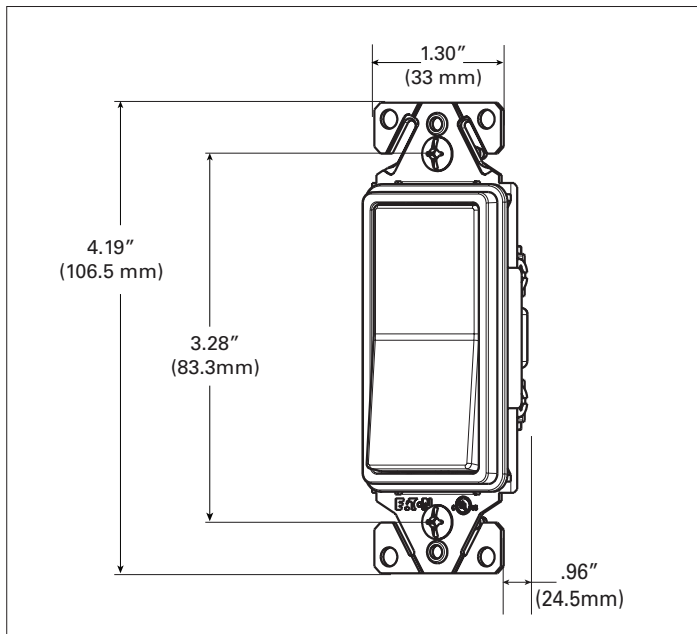



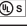


Figure 3. 7511 & 7513 Line art with dimensions

Project Name:	Prepared By:
Project Number:	Date:
Catalog Number:	Type:

## Certifications & compliances

Catalog no.				
7501	•	•	•	
7501-9	•	•	•	
7503	•	•	•	
7503-9	•	•	•	
7511	•			
7513	•		•	
7504	•		•	•

**KEY:**  cULus  Indicates USMCA compliant  NOM  Fed Spec

Compliances, specifications and availability are subject to change without notice.

Electrical Sector  
203 Cooper Circle  
Peachtree City, GA 30269  
United States  
Eaton.com  
Eaton.com/wiringdevices

Electrical Sector  
Canada Operations  
5925 McLaughlin Road  
Mississauga, Ontario, L5R 1B8  
Canada  
EatonCanada.ca  
Eaton.com/wiringdevices

Electrical Sector  
Mexico Operations  
Carr. Tlalnepantla -  
Cautitlán Km 178 s/n  
Col. Villa Jardín esq.  
Cerrada 8 de Mayo  
Cautitlán, México CP 54800  
México  
Eaton.mx  
Eaton.com/wiringdevices