

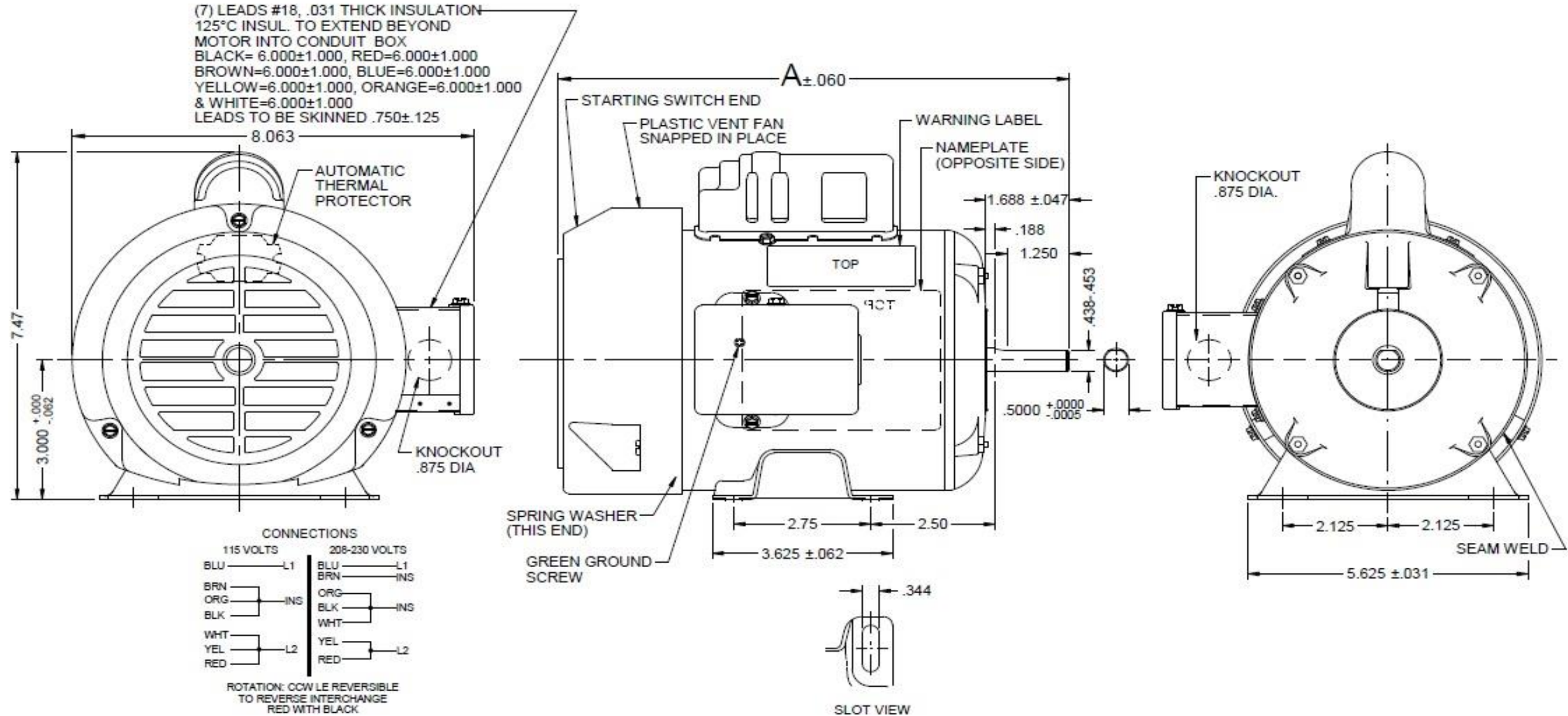
# Dimensional Drawing

**5K192BG**

REV.

-

VAR	MODEL	CUST. PT. NO.	A	B	C	D	HP	VOLTS	SF	AMPS	HZ	RPM	CONN VOLTS	PROT.	DESCRIPTION / REMARKS
001	C55JXKKL-2130	5K192BG	10.28	---	---	---	1/3	115/208-230	1.15	6.6/3.0-3.3	60	1725	---	AUTO	N56H, TEFC, GREEN



DRAWING NO.	PAGE 1 of 1	REV.
5K192BG		-

# Performance Data



**5K192BG**

REV.  
-

## MOTOR PERFORMANCE

<b>HP:</b>	1/3						
<b>Poles:</b>	4						
<b>No. of Speeds:</b>	1						
<b>Volts:</b>	115/208-230	<b>115</b>	<b>208</b>	<b>230</b>			
<b>HZ:</b>	60	<b>60</b>	<b>60</b>	<b>60</b>			
<b>Service Factor:</b>	1.15						
<b>Efficiency:</b>	@ Rated Load	67.7	77.7	72.5			
<b>Power Factor:</b>	@ Rated Load	54.3	58.7	51.2			
<b>Amps:</b>	@ No Load						
	@ Rated Load	6	2.6	2.95			
	@ Service Factor	6.2	NA	3.1			
	@ Locked Rotor	29.6	13.43	15.1			
<b>RPM:</b>	@ Rated Load	1758	1752	1764			
<b>Ambient (°C):</b>	40						
<b>Altitude (FASL):</b>							
<b>Torques:</b>	Breakdown	55.7	48.42	58.7			
	Locked Rotor	65.8	46.66	57.2			
	Pull-Up	65.3	46.1	57.2			
	Rated Load	15.8	15.82	15.7			
	Service Factor	18.66	NA	18.66			
<b>Watts:</b>	Rated Load	364.5	319.3	343.6			
<b>KVA Code:</b>	M	M	K	M			
<b>Temperature Rise:</b>	@ Rated Load	64	49.3	62			
	@ Service Factor	74	NA	70			
<b>Thermal Protector:</b>	Trip Temp (°C)	148.3	146.8	155			
<b>Winding Material:</b>	Start (Auxiliary)	Cu	Cu	Cu			
	Run (Main)	Cu	Cu	Cu			
<b>Capacitor(s):</b>	Start (MFD / Volts)	374MFD/110V					
	No. of Start Capacitors						
	Run (MFD / Volts)	NA					
	No. of Run Capacitors						

### LOW SPEED PERFORMANCE DATA:

<b>HP:</b>							
<b>Poles:</b>							
<b>Volts:</b>							
<b>HZ:</b>							
<b>Efficiency:</b>	@ Rated Load						
<b>Power Factor:</b>	@ Rated Load						
<b>Amps:</b>	@ No Load						
	@ Rated Load						
	@ Service Factor						
	@ Locked Rotor						
<b>Torques:</b>	Bead Down						
	Locked Rotor						
	Pull-Up						
	Rated Load						
	Service Factor						
<b>Watts:</b>	@ Rated Load						
<b>Temperature Rise:</b>	@ Rated Load						
	@ Service Factor						

DRAWING NO. PAGE 1 of 1 REV.  
5K192BG -

Dayton Electric Mfg. Co. Lake Forest, IL 60045 USA

# Performance Data



**5K192BG**      REV.  
-

## Dayton Manufacturing Company

### Motor Description

Model: C055KKL213001 5K192BG  
 Motor ID: 2 of 1  
 Poles: 4  
 Volts: 115/208-230  
 Frequency: 60  
 HP: 1/3  
 Speed: 1725  
 Phase: 1  
 Protector: MEJ39RX

### Test Conditions

Test Type: Start      Run Cap: 0  
 Test Number: 4      Start Cap: 367µfd  
 Poles: 4      Environment:  
 Volts: 115      Tested: 10/10/2005 4:04:49 PM  
 Hz: 60      Tested By: Sharp, Gerald  
 Rotation:      Gear Ratio: 1:1  
 Special Cond:      Bearing Friction: -0.30 Oz-Ft  
 Speed Conn:      Windage Torque: -1.27 Oz-Ft  
 TestBoard: Amtps Performance Fixture #3

Special Points	Vline (V)	Vaux (V)	Vcap (V)	Iline (A)	Imain (A)	Iaux (A)	Watts	RPM	Tq(Oz-ft)	HP	Eff (%)	PF (%)	Cap
	115.0	87.3	119.9	29.56	25.62	16.835	3267	7	65.79	0.005	0.1	96.1	372.5
	115.0	87.2	119.2	29.52	25.59	16.758	3256	28	66.63	0.022	0.5	95.9	372.8
	115.0	88.2	117.8	29.47	25.28	16.553	3251	158	65.39	0.123	2.8	95.9	372.7
PUT OZ-FT	115.0	88.3	117.6	29.50	25.25	16.527	3252	173	65.28	0.134	3.1	95.9	372.9
	115.0	89.6	115.9	29.48	24.89	16.287	3257	302	70.09	0.252	5.8	96.0	372.7
	115.0	91.3	114.4	29.46	24.42	16.077	3263	435	75.25	0.390	8.9	96.3	372.6
	115.0	93.2	113.0	29.45	23.91	15.872	3274	557	80.17	0.531	12.1	96.7	372.5
	115.0	95.3	111.8	29.44	23.38	15.688	3283	666	84.80	0.673	15.3	97.0	372.1
	115.0	97.4	110.4	29.39	22.79	15.491	3288	767	89.23	0.815	18.5	97.3	372.1
	115.0	99.6	109.1	29.31	22.16	15.291	3290	860	94.15	0.964	21.9	97.6	371.8
	115.0	102.1	107.9	29.25	21.49	15.108	3293	946	97.91	1.103	25.0	97.9	371.3
	115.0	104.9	106.8	29.17	20.78	14.945	3296	1025	101.27	1.236	28.0	98.3	371.1
	115.0	107.9	105.9	29.09	20.05	14.820	3295	1098	104.90	1.371	31.0	98.5	371.2
	115.0	111.0	105.2	28.93	19.29	14.721	3290	1166	108.23	1.502	34.1	98.9	371.1
	115.0	114.5	104.8	28.79	18.51	14.674	3283	1227	109.98	1.607	36.5	99.2	371.4
	115.0	118.2	104.7	28.66	17.70	14.659	3278	1284	111.68	1.707	38.9	99.5	371.3
	115.0	122.0	105.0	28.56	16.90	14.700	3271	1335	112.28	1.785	40.7	99.6	371.5
	115.0	126.1	105.5	28.40	16.05	14.802	3259	1384	111.84	1.842	42.2	99.8	372.2
	115.0	152.8	115.7	23.79	17.03	9.085	2484	1426	79.71	1.353	40.6	90.8	208.2
	115.0	162.3	121.1	16.82	16.70	0.418	1503	1454	48.60	0.841	41.7	77.7	9.2
	115.0	161.0	117.9	15.58	15.76	0.142	1391	1494	47.28	0.841	45.1	77.6	3.2
	115.0	158.7	114.7	14.48	14.68	0.126	1299	1534	46.66	0.852	48.9	78.0	2.9
	115.0	156.8	112.0	13.41	13.62	0.126	1209	1568	45.58	0.851	52.5	78.4	3.0
	115.0	155.2	109.6	12.35	12.56	0.127	1111	1600	43.70	0.832	55.9	78.3	3.1
	115.0	153.8	107.5	11.35	11.57	0.126	1013	1627	41.19	0.798	58.7	77.6	3.1
	115.0	152.5	105.4	10.38	10.59	0.127	914	1652	38.47	0.756	61.7	76.6	3.2
	115.0	151.3	103.7	9.39	9.60	0.125	807	1676	34.64	0.691	63.9	74.7	3.2
	115.0	150.3	102.3	8.56	8.75	0.125	706	1697	30.70	0.620	65.5	71.7	3.2
	115.0	149.4	100.7	7.76	7.94	0.125	610	1716	26.58	0.543	66.4	68.4	3.3
	115.0	148.5	99.4	6.92	7.08	0.125	491	1736	21.07	0.436	66.2	61.7	3.3
	115.0	147.6	98.0	6.30	6.43	0.125	384	1756	15.60	0.326	63.4	53.0	3.4
	115.0	146.9	96.8	5.96	6.04	0.128	270	1776	8.94	0.189	52.3	39.3	3.5
	115.0	146.2	95.5	5.71	5.75	0.125	153	1793	2.03	0.043	21.1	23.3	3.5
	115.0	146.0	95.2	5.69	5.71	0.126	117	1799	0.00	0.000	0.0	17.9	3.5

DRAWING NO.      PAGE 1 of 8      REV.  
**5K192BG**      -

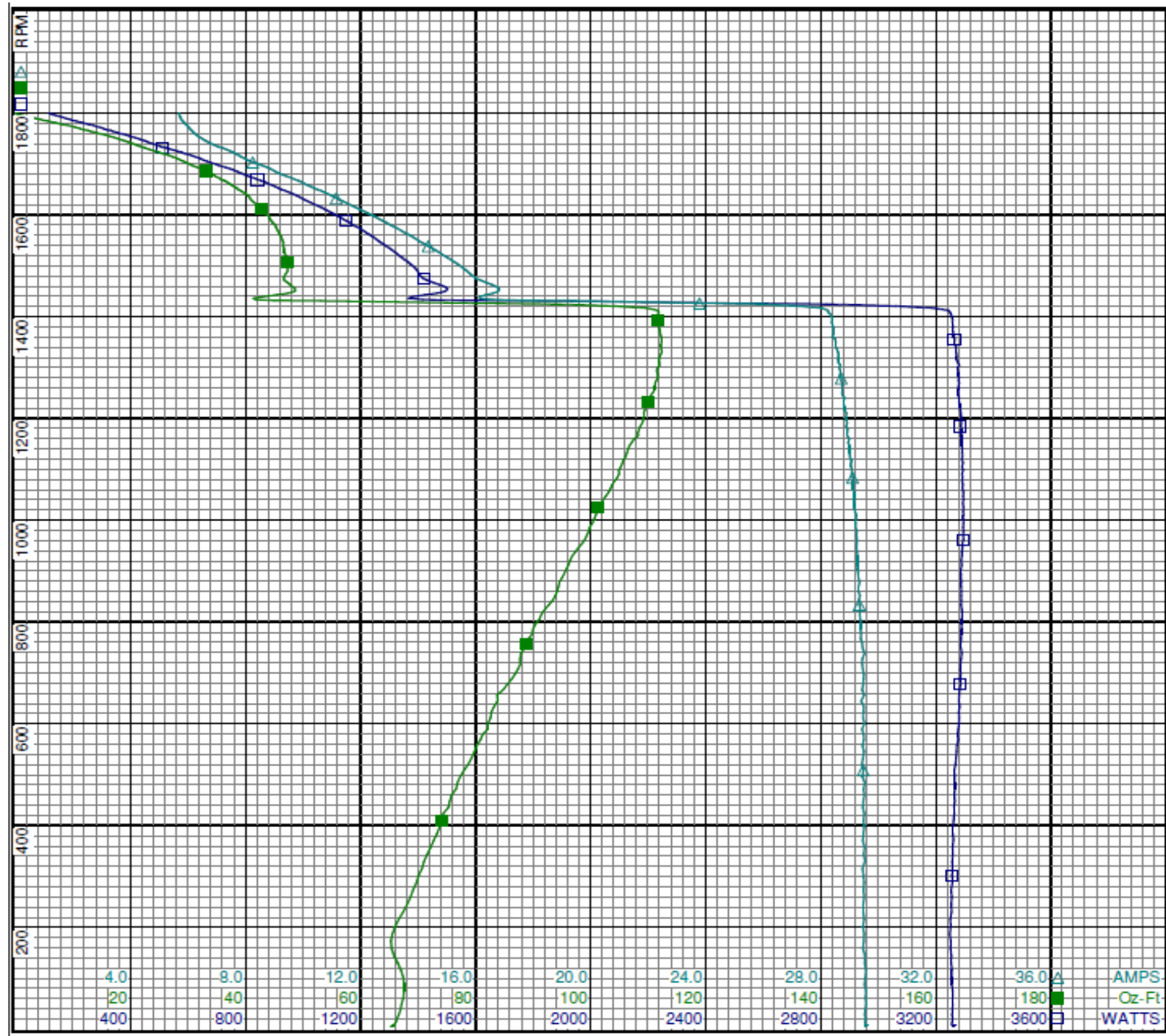
**Dayton Electric Mfg. Co. Lake Forest, IL 60045 USA**



# Performance Data



**5K192BG**      REV. -



**Dayton**

**Curve Descriptions:**  
Motor(1) Test 4 Start 115V 60 Hz 4P

- SPEED vs WATTS
- SPEED vs TORQUE
- △ SPEED vs ILine

---

**Motor Ratings:**  
C055KKL213001 5K192BG

DRAWING NO.	PAGE 2 of 8	REV.
	<b>5K192BG</b>	-

**Dayton Electric Mfg. Co. Lake Forest, IL 60045 USA**

# Performance Data



**5K192BG**      REV.  
-

## Dayton Manufacturing Company

### Motor Description

Model: C055KKL213001 5K192BG  
 Motor ID: 2 of 1  
 Poles: 4  
 Volts: 115/208-230  
 Frequency: 60  
 HP: 1/3  
 Speed: 1725  
 Phase: 1  
 Protector: MEJ39RX

### Test Conditions

Test Type: Run      Run Cap: 0  
 Test Number: 10      Start Cap: 367µfd  
 Poles: 4      Environment:  
 Volts: 115      Tested: 10/10/2005 1:36:25 PM  
 Hz: 60      Tested By: Sharp, Gerald  
 Rotation:      Gear Ratio: 1:1  
 Special Cond:      Bearing Friction: -0.40 Oz-Ft  
 Speed Conn:      Windage Torque: -1.95 Oz-Ft  
 TestBoard:      Amps Performance      Fixture #4

Special Points	Vline (V)	Iline (A)	Watts	RPM	Tq(Oz-ft)	HP	Eff (%)	PF (%)
4.06 OZ-FT	115.0	5.64	146.6	1795	0.00	0.000	0.0	22.6
	115.0	5.64	202.9	1785	4.06	0.086	31.7	31.3
	115.0	5.65	210.7	1784	4.61	0.098	34.6	32.4
8.12 OZ-FT	115.0	5.68	256.8	1775	8.12	0.172	49.9	39.3
	115.0	5.73	290.3	1770	10.50	0.221	56.8	44.1
12.17 OZ-FT	115.0	5.77	312.0	1766	12.17	0.256	61.2	47.0
0.33 HP	115.0	5.95	364.5	1758	15.77	0.330	67.5	53.2
16.23 OZ-FT	115.0	5.99	374.2	1757	16.23	0.339	67.7	54.3
	115.0	6.02	380.6	1756	16.50	0.345	67.6	55.0
0.383 HP	115.0	6.17	407.1	1751	18.37	0.383	70.2	57.4
18.66 OZ-FT	115.0	6.19	411.6	1751	18.66	0.389	70.5	57.8
21.91 OZ-FT	115.0	6.51	463.3	1742	21.91	0.454	73.2	61.8
	115.0	6.60	475.6	1741	22.68	0.470	73.7	62.6
24.1 OZ-FT	115.0	6.80	501.4	1736	24.10	0.498	74.1	64.1
1725 RPM	115.0	7.20	556.0	1725	27.26	0.560	75.1	67.2
	115.0	7.30	573.8	1723	28.37	0.582	75.7	68.3
	115.0	8.12	687.8	1701	34.70	0.703	76.2	73.6
	115.0	9.01	793.0	1680	39.62	0.792	74.5	76.6
	115.0	10.09	908.4	1654	44.35	0.873	71.7	78.3
	115.0	11.23	1027.0	1626	48.75	0.944	68.6	79.6
	115.0	12.37	1142.5	1594	51.93	0.985	64.3	80.3
	115.0	13.74	1263.7	1554	54.43	1.007	59.5	80.0
	115.0	14.73	1348.7	1520	55.63	1.006	55.7	79.6
BDT OZ-FT	115.0	15.89	1439.5	1477	55.71	0.980	50.8	78.8
	115.0	15.89	1439.5	1477	55.71	0.980	50.8	78.8
	115.0	17.00	1521.4	1430	54.74	0.932	45.7	77.8
	115.0	18.02	1589.7	1380	52.85	0.868	40.7	76.7
	115.0	18.93	1645.1	1328	50.54	0.799	36.2	75.6
	115.0	19.75	1691.4	1274	47.67	0.723	31.9	74.5
	115.0	20.51	1729.8	1216	44.55	0.645	27.8	73.3
	115.0	21.18	1761.7	1156	41.09	0.565	23.9	72.3
	115.0	21.78	1787.0	1094	37.54	0.489	20.4	71.3
	115.0	22.32	1807.4	1029	34.14	0.418	17.3	70.4
	115.0	22.81	1822.6	960	30.20	0.345	14.1	69.5
	115.0	23.25	1835.3	887	26.52	0.280	11.4	68.7
	115.0	23.63	1844.7	809	23.10	0.222	9.0	67.9
	115.0	23.99	1850.5	724	19.39	0.167	6.7	67.1
	115.0	24.29	1855.4	636	15.25	0.116	4.6	66.4
	115.0	24.54	1858.8	543	11.74	0.076	3.0	65.9
	115.0	24.73	1861.0	442	7.83	0.041	1.7	65.4
	115.0	24.87	1862.4	339	3.36	0.014	0.5	65.1
	115.0	24.95	1859.0	228	0.51	0.001	0.1	64.8

DRAWING NO.      PAGE 3 of 8      REV.  
 5K192BG      -

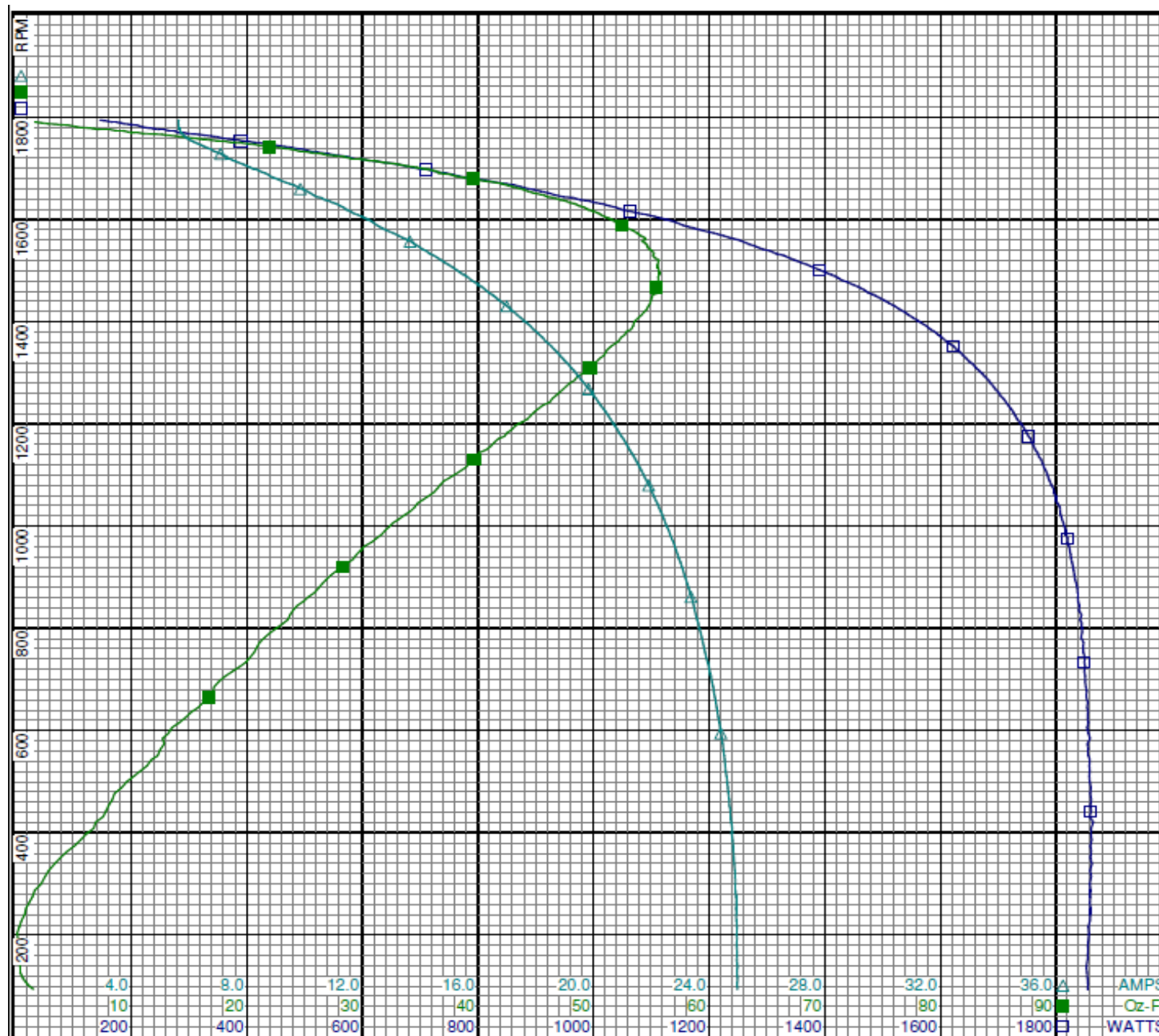
# Performance Data



5K192BG

REV.

-



Curve Descriptions:

Motor(1) Test 10 Run 115V 60 Hz 4P

- SPEED vs WATTS
- SPEED vs TORQUE
- △ SPEED vs ILine

Motor Ratings:

C055KKL213001 5K192BG

DRAWING NO.	PAGE 4 of 8	REV.
5K192BG		-

Dayton Electric Mfg. Co. Lake Forest, IL 60045 USA

# Performance Data



**5K192BG**      REV.  
-

## Dayton Manufacturing Company

### Motor Description

Model: C055KKL213001 5K192BG  
 Motor ID: 2 of 1  
 Poles: 4  
 Volts: 115/208-230  
 Frequency: 60  
 HP: 1/3  
 Speed: 1725  
 Phase: 1  
 Protector: MEJ39RX

### Test Conditions

Test Type: Start  
 Test Number: 6  
 Poles: 4  
 Volts: 230  
 Hz: 60  
 Rotation:  
 Special Cond:  
 Speed Conn:  
 TestBoard: Amlps Performance Fixture #3  
 Run Cap: 0  
 Start Cap: 367µfd  
 Environment:  
 Tested: 10/10/2005 4:08:51 PM  
 Tested By: Sharp, Gerald  
 Gear Ratio: 1:1  
 Bearing Friction: -0.30 Oz-Ft  
 Windage Torque: -1.37 Oz-Ft

Special Points	Vline (V)	Vaux (V)	Vcap (V)	Iline (A)	Imain (A)	Iaux (A)	Watts	RPM	Tq(Oz-ft)	HP	Eff(%)	PF(%)	Cap
PUT OZ-FT	230.0	75.4	103.0	15.113	14.192	14.404	3194	5	57.20	0.003	0.1	91.9	370.9
	230.0	75.4	103.0	15.113	14.192	14.404	3194	5	57.20	0.003	0.1	91.9	370.9
	230.0	75.7	102.6	15.094	14.120	14.354	3190	27	58.55	0.019	0.4	91.9	371.1
	230.0	76.8	101.5	15.105	13.850	14.150	3194	158	57.47	0.108	2.5	91.9	370.0
	230.0	78.5	99.9	15.085	13.443	13.927	3200	301	61.57	0.221	5.1	92.2	369.9
	230.0	80.3	98.5	15.042	12.982	13.734	3200	436	65.90	0.342	8.0	92.5	369.7
	230.0	82.4	97.3	15.014	12.487	13.555	3209	555	70.39	0.465	10.8	92.9	369.5
	230.0	84.4	96.2	14.978	11.945	13.393	3216	665	74.96	0.593	13.8	93.3	369.5
	230.0	86.6	95.2	14.915	11.388	13.240	3217	767	79.26	0.724	16.8	93.8	369.1
	230.0	89.0	94.0	14.841	10.792	13.091	3218	860	83.64	0.856	19.8	94.3	369.5
	230.0	91.5	93.1	14.751	10.161	12.954	3213	946	86.72	0.976	22.7	94.7	369.2
	230.0	94.3	92.3	14.669	9.498	12.848	3212	1024	90.60	1.105	25.7	95.2	369.4
	230.0	97.1	91.6	14.546	8.814	12.755	3205	1098	93.62	1.223	28.5	95.8	369.2
	230.0	100.1	91.2	14.435	8.087	12.691	3194	1165	95.74	1.328	31.0	96.2	369.0
	230.0	103.4	91.1	14.309	7.324	12.669	3185	1227	97.76	1.428	33.4	96.8	368.8
	230.0	106.9	91.1	14.168	6.541	12.680	3169	1285	99.17	1.517	35.7	97.2	369.3
	230.0	110.4	91.4	14.033	5.748	12.739	3154	1337	99.64	1.586	37.5	97.7	369.6
	230.0	114.0	92.0	13.883	4.954	12.838	3133	1384	99.18	1.634	38.9	98.1	370.0
	230.0	142.8	105.2	11.835	6.565	8.218	2447	1425	74.39	1.262	38.5	89.9	207.2
	230.0	156.7	114.8	8.307	8.134	0.411	1498	1456	48.22	0.835	41.6	78.4	9.5
	230.0	156.2	112.9	7.693	7.745	0.173	1376	1497	46.88	0.836	45.3	77.8	4.1
	230.0	154.7	110.5	7.162	7.231	0.161	1287	1536	46.23	0.845	49.0	78.1	3.9
	230.0	153.2	108.2	6.628	6.698	0.162	1193	1570	44.93	0.840	52.5	78.3	4.0
	230.0	151.8	106.2	6.130	6.199	0.162	1101	1600	43.00	0.819	55.5	78.1	4.1
	230.0	150.6	104.2	5.613	5.681	0.160	1002	1627	40.63	0.787	58.6	77.6	4.1
	230.0	149.9	102.4	5.135	5.201	0.162	906	1651	37.77	0.743	61.1	76.7	4.2
	230.0	148.6	100.9	4.680	4.745	0.162	805	1676	34.18	0.682	63.2	74.8	4.3
	230.0	147.8	99.4	4.224	4.290	0.162	696	1697	29.79	0.602	64.6	71.6	4.3
	230.0	147.1	98.0	3.848	3.913	0.161	599	1718	25.60	0.524	65.2	67.7	4.4
	230.0	146.4	96.8	3.443	3.492	0.162	492	1736	20.64	0.427	64.7	62.1	4.4
	230.0	145.7	95.6	3.189	3.226	0.160	395	1754	15.57	0.325	61.5	53.8	4.5
	230.0	145.1	94.6	2.979	2.995	0.159	279	1773	8.98	0.189	50.6	40.7	4.5
	230.0	144.3	93.5	2.792	2.801	0.160	157	1793	2.00	0.043	20.3	24.5	4.5
	230.0	144.1	93.2	2.777	2.784	0.159	123	1798	0.00	0.000	0.0	19.3	4.5

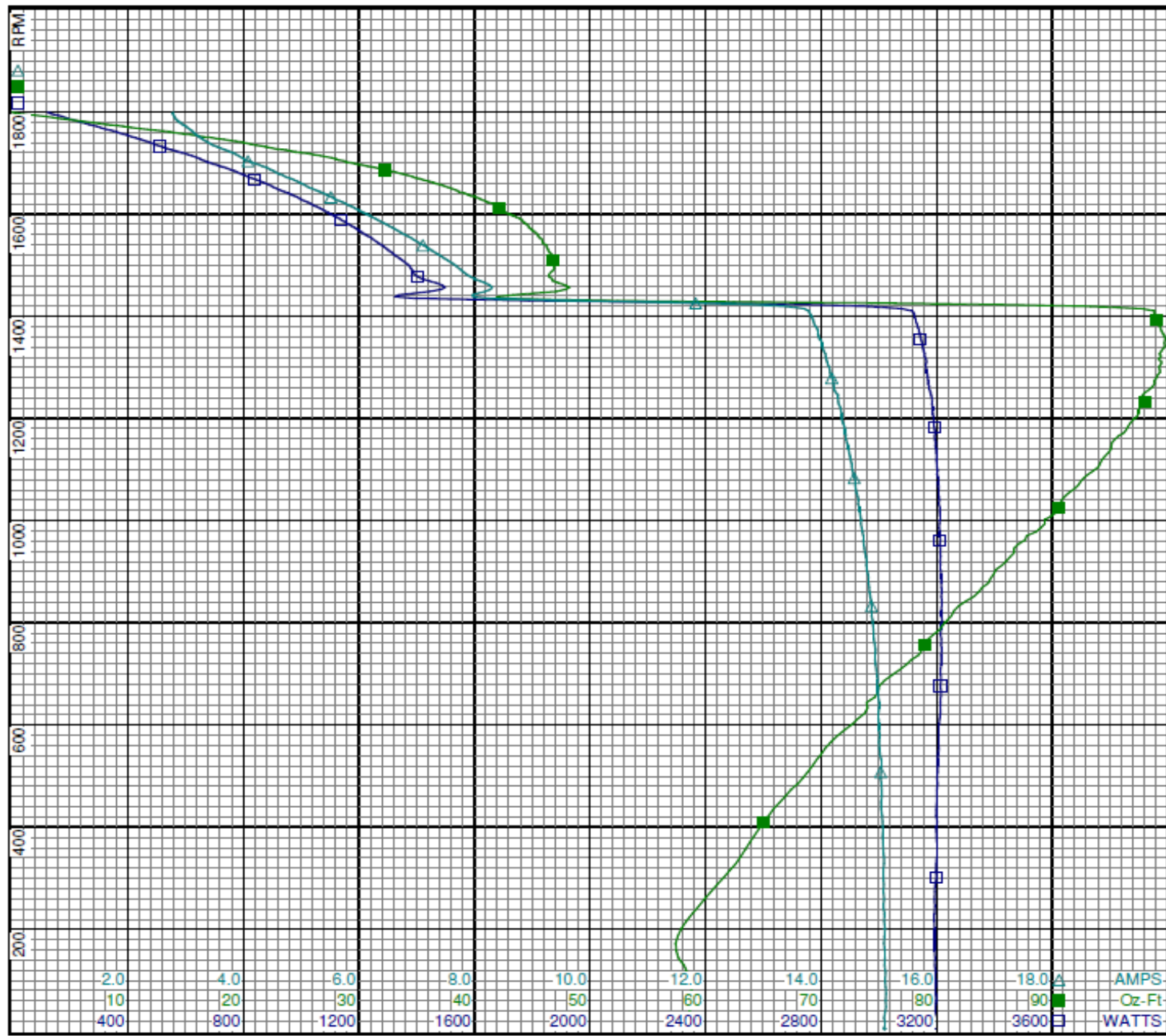
DRAWING NO.      PAGE 5 of 8      REV.  
**5K192BG**      -



# Performance Data



**5K192BG**      REV. -



**Dayton**

**Curve Descriptions:**  
Motor(1) Test 6 Start 230V 60 Hz 4P

- SPEED vs WATTS
- SPEED vs TORQUE
- △ SPEED vs ILine

---

**Motor Ratings:**  
C055KKL213001 5K192BG

DRAWING NO.      PAGE 6 of 8      REV.  
**5K192BG**      -

**Dayton Electric Mfg. Co. Lake Forest, IL 60045 USA**



# Performance Data



**5K192BG**      REV.  
-

## Dayton Manufacturing Company

### Motor Description

Model: C055KKL213001 5K192BG  
 Motor ID: 2 of 1  
 Poles: 4  
 Volts: 115/208-230  
 Frequency: 60  
 HP: 1/3  
 Speed: 1725  
 Phase: 1  
 Protector: MEJ39RX

### Test Conditions

Test Type: Run      Run Cap: 0  
 Test Number: 12      Start Cap: 367µfd  
 Poles: 4      Environment:  
 Volts: 230      Tested: 10/10/2005 2:30:35 PM  
 Hz: 60      Tested By: Sharp, Gerald  
 Rotation:      Gear Ratio: 1:1  
 Special Cond:      Bearing Friction: -0.47 Oz-Ft  
 Speed Conn:      Windage Torque: -1.78 Oz-Ft  
 TestBoard: Amtps Performance Fixture #4

Special Points	Vline (V)	Iline (A)	Watts	RPM	Tq(Oz-ft)	HP	Eff (%)	PF (%)
4.06 OZ-FT	230.0	2.673	124.8	1797	0.00	0.000	0.0	20.3
	230.0	2.682	180.5	1787	4.06	0.086	35.7	29.3
	230.0	2.692	194.9	1786	5.00	0.106	40.7	31.5
8.12 OZ-FT	230.0	2.732	234.0	1779	8.12	0.172	54.8	37.2
	230.0	2.798	275.8	1773	11.09	0.234	63.3	42.8
12.17 OZ-FT	230.0	2.831	292.3	1771	12.17	0.257	65.5	44.9
16.23 OZ-FT	230.0	2.976	350.3	1763	16.23	0.341	72.5	51.2
0.33 HP	230.0	2.955	343.6	1764	15.71	0.330	71.6	50.6
	230.0	3.015	362.9	1760	17.08	0.358	73.6	52.3
18.66 OZ-FT	230.0	3.096	387.8	1755	18.66	0.390	75.0	54.5
0.383 HP	230.0	3.081	383.8	1757	18.32	0.383	74.4	54.2
21.91 OZ-FT	230.0	3.259	441.0	1745	21.91	0.455	77.0	58.8
	230.0	3.280	448.1	1743	22.37	0.464	77.3	59.4
24.1 OZ-FT	230.0	3.339	470.4	1740	24.10	0.499	79.2	61.2
	230.0	3.574	555.3	1727	29.27	0.602	80.9	67.6
1725 RPM	230.0	3.608	564.8	1725	29.88	0.614	81.1	68.1
	230.0	4.012	661.7	1708	35.13	0.714	80.5	71.7
	230.0	4.447	775.3	1686	41.18	0.827	79.5	75.8
	230.0	4.969	888.6	1662	45.86	0.907	76.2	77.7
	230.0	5.555	1009.9	1633	50.57	0.983	72.6	79.0
	230.0	6.156	1127.8	1603	54.06	1.032	68.2	79.7
	230.0	6.836	1248.4	1565	56.74	1.057	63.2	79.4
	230.0	7.365	1338.6	1531	58.26	1.062	59.2	79.0
	230.0	7.961	1433.5	1489	58.62	1.039	54.1	78.3
BDT OZ-FT	230.0	8.160	1464.0	1472	58.72	1.029	52.4	78.0
	230.0	8.536	1516.5	1442	57.97	0.995	48.9	77.2
	230.0	9.064	1587.4	1393	56.55	0.938	44.1	76.1
	230.0	9.529	1643.1	1341	54.68	0.873	39.6	75.0
	230.0	9.965	1693.0	1288	52.26	0.801	35.3	73.9
	230.0	10.350	1731.0	1231	49.52	0.725	31.3	72.7
	230.0	10.700	1763.9	1173	46.27	0.646	27.3	71.7
	230.0	11.014	1787.2	1110	42.29	0.559	23.3	70.6
	230.0	11.303	1807.8	1043	38.12	0.473	19.5	69.5
	230.0	11.557	1822.9	973	34.19	0.396	16.2	68.6
	230.0	11.779	1832.7	900	30.13	0.323	13.1	67.7
	230.0	11.988	1844.4	823	25.39	0.249	10.1	66.9
	230.0	12.166	1849.3	741	20.98	0.185	7.5	66.1
	230.0	12.326	1852.5	652	16.54	0.128	5.2	65.3
	230.0	12.455	1853.8	560	12.51	0.083	3.4	64.7
	230.0	12.550	1854.7	464	8.93	0.049	2.0	64.3
	230.0	12.628	1855.8	360	5.33	0.023	0.9	63.9
	230.0	12.673	1851.8	254	1.06	0.003	0.1	63.5

DRAWING NO. PAGE 7 of 8 REV.  
 5K192BG -

# Performance Data



5K192BG

REV.

-



Curve Descriptions:

Motor(1) Test 12 Run 230V 60 Hz 4P

- SPEED vs WATTS
- SPEED vs TORQUE
- △ SPEED vs ILine

Motor Ratings:

C055KKL213001 5K192BG

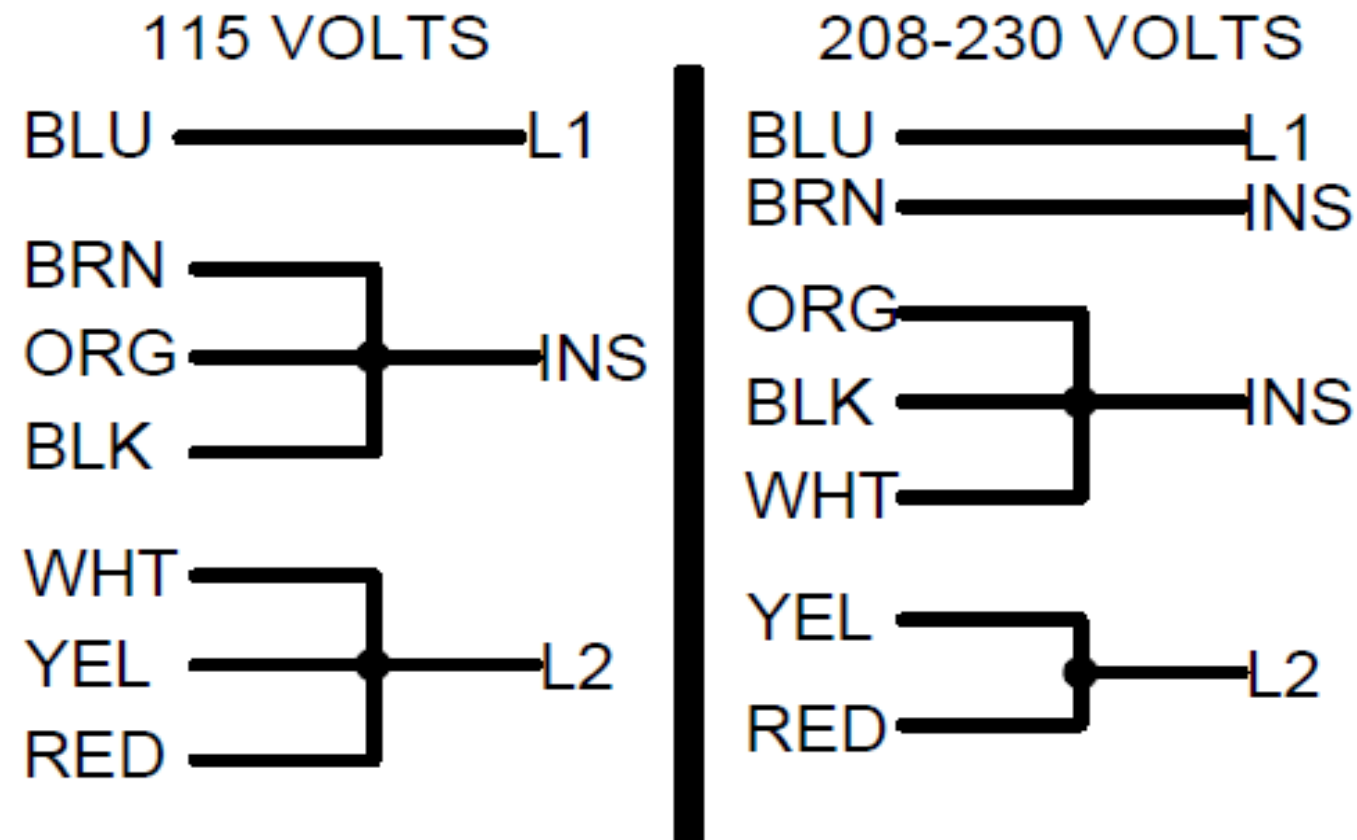
DRAWING NO.	PAGE 8 of 8	REV.
5K192BG		-

Dayton Electric Mfg. Co. Lake Forest, IL 60045 USA

5K192BG

REV.  
-

## CONNECTIONS



ROTATION: CCW LE REVERSIBLE  
TO REVERSE INTERCHANGE  
RED WITH BLACK

DRAWING NO. PAGE 1 of 1 REV.  
5K192BG -

**Dayton**®**INDUSTRIAL MOTOR**HP: 1/3  
VOLTS: 115/208-230

Part No 5K192BG

**BAR CODE**

AMPS: 6.6/3.0-3.3

PH: 1

RPM: 1725

HZ: 60

DUTY: CONT

FR: 48

SF: 1.15

INS CL: B

KVA CODE: N

AMB: 40 °C

ENCL: TEFC

SFA: 7.2/3.3-3.6

THERMALLY PROTECTED: AUTO

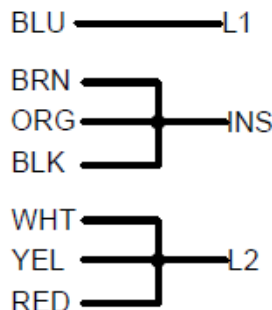
MFG. NO.   PROT. CODE:  04830 AVG. F.L.  
EFF.

MTR REF: C55JXKKL-2130

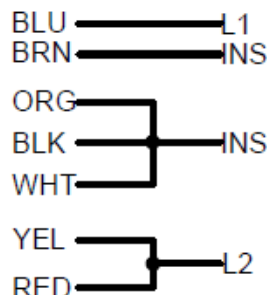
Disconnect Power Before Making Any  
Electrical Connections or Changes

## CONNECTIONS

115 VOLTS



208-230 VOLTS

ROTATION: CCW LE REVERSIBLE  
TO REVERSE INTERCHANGE  
RED WITH BLACK

Mfd for Dayton Electric Mfg. Co., Lake Forest, IL 60045 USA

**MADE IN MEXICO**