

ONAN® QSB7 MARINE GENERATOR



GENERAL SPECIFICATIONS

- Powerful and proven Cummins QSB7 engines
- Sound enclosure standard – QSB7E (enclosed)
- Exclusive space saving rear exhaust – save approximately 150 mm (5.9 in) in width
- Available in 50 Hz and 60 Hz versions
- Single side access for easy maintenance
- Options for unclassified, class ready, or full class

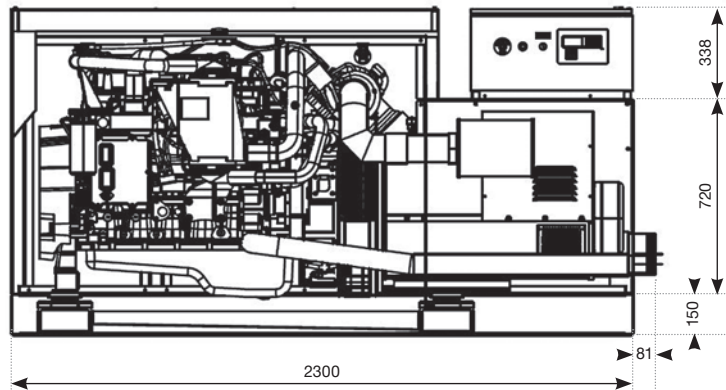


POWER RATINGS

Engine	Output power kWm	Engine speed RPM	Alternator	Cooling	kVA	kWe	VAC	pf
50 Hz model								
QSB7E-90/5	122	1500	274E	Heat exchanger or keel	112.5	90	380/400/415	0.8
QSB7E-108/5			274F		135	108		
QSB7E-119/5	274G		149		119			
QSB7E-136/5	274H		170		136			
QSB7E-152/5	274K		190		152			
60 Hz model								
QSB7E-104/5	112	1800	274E	Heat exchanger or keel	130	104	440/460/480	0.8
QSB7E-124/6	142		274F		156	124		
QSB7E-148/6	186		274G		186	148		
QSB7E-170/6			274H		212.5	170		
QSB7E-195/6	210		274K		244	195		

Alternators rates @ Class F temperature rise @ 50° ambient.

Ratings are for guidance only – kWe output may vary according to VAC – please contact us for confirmation of actual ratings.



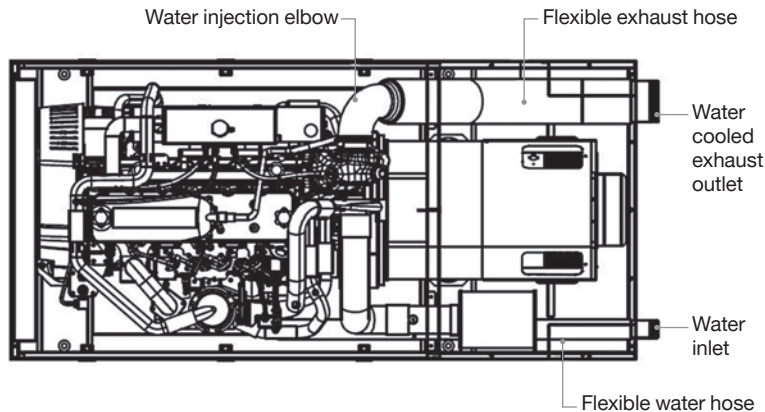
PRODUCT DIMENSIONS

Overall length	2300 mm (90.5 in)
Overall width	1100 mm (43.3 in)
Overall height	1200 mm (47.2 in)

PRODUCT WEIGHT

Model	Weight*
QSB7E-90/5	1890 kg (4158 lb)
QSB7E-108/5	1930 kg (4246 lb)
QSB7E-119/5	1980 kg (4356 lb)
QSB7E-136/5	2020 kg (4444 lb)
QSB7E-152/5	2100 kg (4620 lb)
QSB7E-104/5	1890 kg (4158 lb)
QSB7E-124/6	1930 kg (4246 lb)
QSB7E-148/6	1980 kg (4356 lb)
QSB7E-170/6	2020 kg (4444 lb)
QSB7E-195/6	2100 kg (4620 lb)

*Weights are approximate at time of publication



The content of this document may contain technical inaccuracies or typographical errors. Cummins reserves the right to make changes or updates at any time without prior notice. Copying or distributing in whole or in part of the content without consent of Cummins is not allowed.



cummins.com

Bulletin 5676600 Produced in U.S.A. 9/21
©2021 Cummins Inc.