

BAHRA  
CABLES



## CABLE MANAGEMENT SYSTEM



**B A F I R A**  
**C A B L E S**

# CABLE MANAGEMENT SYSTEM CONTENTS

3

**COMPANY  
PROFILE**

5

**LIST OF  
EXECUTED PROJECT**

9

**CABLE TRAY**

18

**CABLE TRUNK**

36

**CABLE LADDER**

44

**CABLE LADDER SWAGED**

54

**COVERS**

57

**SUPPORT**





# GENERAL

## INTRODUCTION

---

Bahra Cables Company was established in 2008 to serve Saudi & GCC Markets. It is based in Bahra industrial city located 25km from Jeddah. Bahra Cables Factory occupies over 500,000 square meters of prime manufacturing space together with associated design offices, laboratories and storage area. It specializes in Manufacturing and Distributing Electric Cables.

Bahra Cables Company is committed to the production of the best product quality and service, utilizing cutting edge European Technology in its manufacturing. The core technologies in production processes, material applications and logistic procedures were provided by German experts with key functions being managed by German engineers.

The organization has a lean vertical management structure which is designed to integrate with a highly developed IT-based structure. This partnership allows the rapid flow of information through the management chain and facilitates timely response in the best traditions of 'hands on' management. Bahra Cables Company has the flexibility to provide a versatile product range to serve the construction, electric utilities, distribution, industrial, oil & gas and petrochemical sectors. The cable Management System produced comply with NEMA & IEC Standards.

The scope of this catalogue is to provide an in depth view of the technical information of the Cable Tray, Cable Trunk, Weather Proof Cable Trunk, Cable Ladder and Support Systems.

## AREA

Bahra Cables Company has a total land area of about 500,000sqm at disposal.

The built-up area, including offices and plant, and testing facilities is about 129,000 sqm.

Total available warehouses and open storage area is about 211,500 sqm.

## PRODUCT SCOPE

BAHRA CABLES COMPANY is committed to deliver the highest standard Cables Management System to the local market, GCC and for export.

To do so, Bahra Cables Company produces a versatile product range cover most of our customer needs

- Cable Tray.
- Cable Trunk.
- Weather Proof Cable Trunk.
- Cable Ladder.
- Support System.

## FACTORY MACHINERY

All production machines are top of the line of the Cables Management System machinery suppliers. From start up with CNC Punching, Roll Forming, Robotic Welding, and well equipped hot galvanized plant. All technical equipment is provided with the highest European standards of electronic control equipment and measuring devices which insures that the requirements of different quality standards are met.

## LOGISTICS

All material flow in BCC from incoming raw material up to outgoing cables will be planned and controlled by a complete software system. Here in a classical ERP system will be enhanced and completed by the most modern MES (Manufacture Executive System)

## QUALITY IS OUR TARGER

We are working in different axes to complete fulfill customers satisfaction which is the milestone of our business, such axes are:

- 1.Product quality complying with the local and international standards.
- 2.Product Reliability is starting from the time of products design to fit for the intended application and enviromental conditions, to the selection of the raw material from only the highest class suppliers with internationally trusted reputation. Our state of art testing equipments and the strict quality procedures ensure the product quality and integrity . We can Guarantee that our Cable Mangement System are defect free and suitable for the intended application through the Cable Management System service lifetime.

# BAHRA CABLE MANAGEMENT SYSTEM

## 2. SAMPLE LIST OF PROJECTS

S.No	Project Names	S.No	Project Names
1	King Abdulaziz International Airport Development Project(KAIA) Jeddah - KSA	21	Shamiya Extension Project Makkah
2	Riyadh Metro	22	Aiyad Cooling Plant Extension
3	King Saud Bin A. Aziz University (General) P1142	23	King Abdulaziz University
4	Capital Market Authority (CMA) Tower - P1224	24	Jabal Omar Development Project
5	Shamiya Makkah Haram Extension Piazza P1150	25	Queen Alia international Airport
6	King Faisal Specialist Hospital & Research Center	26	Qatar Airways Crew Accomodation
7	Golden Tower Jeddah	27	Al Ghanim industries
8	King Abdullah Foundation (Riyadh Site) - C1437	28	Arcllor Mittal Tube Factory
9	MOI integrated Proj External Police Department - Ounfuda (HUTA)	29	Aramco ( Upstream Professional Development Center )
10	Mataf Extension	30	KSAU
11	Saudi Arabia National Guard	31	King Khalid University
12	Sewage Treatment Plants	32	Mobily Exchange Server Building
13	King Abdullah Financial District	33	CUC - Haram Expansion
14	Shoaiba Power Plants Extension Stage - LiiP-1298	34	Girls College Royal Commision
15	MOI - Correctional Facilities - Taif (C1351 - 3)	35	Royal Commision Villas
16	Saudi Arabia National Guard Housing Project (SANG)	36	Al Batterjee Medical Factory
17	Precast & Steel Factory Bahra (1109)	37	KFNB
18	Yanbu Unversity College Mens Housing(Phase -1)	38	MOI , Tabouk
19	Capital Market Authority (CMA) Tower P-1224	39	Bahra Glass Factory
20	Senegal Airport		

# BAHRA CABLE MANAGEMENT SYSTEM

## 3. SAMPLE LIST OF CONSULTANT APPROVALS

---

### S.No Consultant Names

- 1 Dar Al - Handassah
- 2 Dar Al Riyadh
- 3 Saudi Diyar Consultant
- 4 Saudi Consultant
- 5 Al Etquan Consultant
- 6 Diwi - Consulatnt International GMBH
- 7 General Authority of Civil Aviation (GACA)
- 8 Archen Ellisdon
- 9 Ashco
- 10 Khatib & Alami
- 11 General Authority of Civil
- 12 Flour Arabia Ltd
- 13 Flour Arabia Ltd
- 14 Zuhair Fayez Partnership
- 15 Solaiman A . EL - Kherji
- 16 Hok/O & A (Jv)
- 17 Proger Engineering & Management
- 18 Manens - Tifs Ingegneria



# BAHRA CABLE MANAGEMENT SYSTEM

## TABLE OF CONTENTS

---

<b>9-17</b>	<b>Cable Tray</b>
9	Cable Tray
10	Cable Tray Straight
11	Cable Tray Elbow 90°
12	Cable Tray Tee
13	Cable Tray Cross
14	Cable Tray Inside Risers
15	Cable Tray Outside Riser
16	Cable Tray ST- Reducer
17	Cable Tray Accessories
<b>18-26</b>	<b>Cable Trunk</b>
18	Cable Trunk
19	Cable Trunk Straight
20	Cable Trunk Elbow 90°
21	Cable Trunk Tee
22	Cable Trunk Cross
23	Cable Trunk Inside Risers
24	Cable Trunk Outside Riser
25	Cable Trunk Straight Reducer
26	Cable Trunk Connectors
<b>27-35</b>	<b>Weather Proof Cable Trunk</b>
28	Cable Trunk Straight (W/P)
29	Cable Trunk Elbow (W/P)
30	Cable Trunk Tee (W/P)
31	Cable Trunk Cross (W/P)
32-33	CableTrunk Risers (W/P)
34	CableTrunk Reducer (W/P)
35	Cable Trunk Accessories (W/P)

# BAHRA CABLE MANAGEMENT SYSTEM

## TABLE OF CONTENTS

---

### 36-45 Cable Ladder

- 37 Cable ladder Straight
- 38 Cable Ladder Elbow
- 39 Cable Ladder Tee
- 40 Cable Ladder Cross
- 41-43 Cable Ladder Inside & outside Risers
- 44 Cable Ladder Swaged
- 45 Cable Ladder Straight
- 46 Cable Ladder Elbow 90°

### 52 Cover for Cable Tray & Ladder

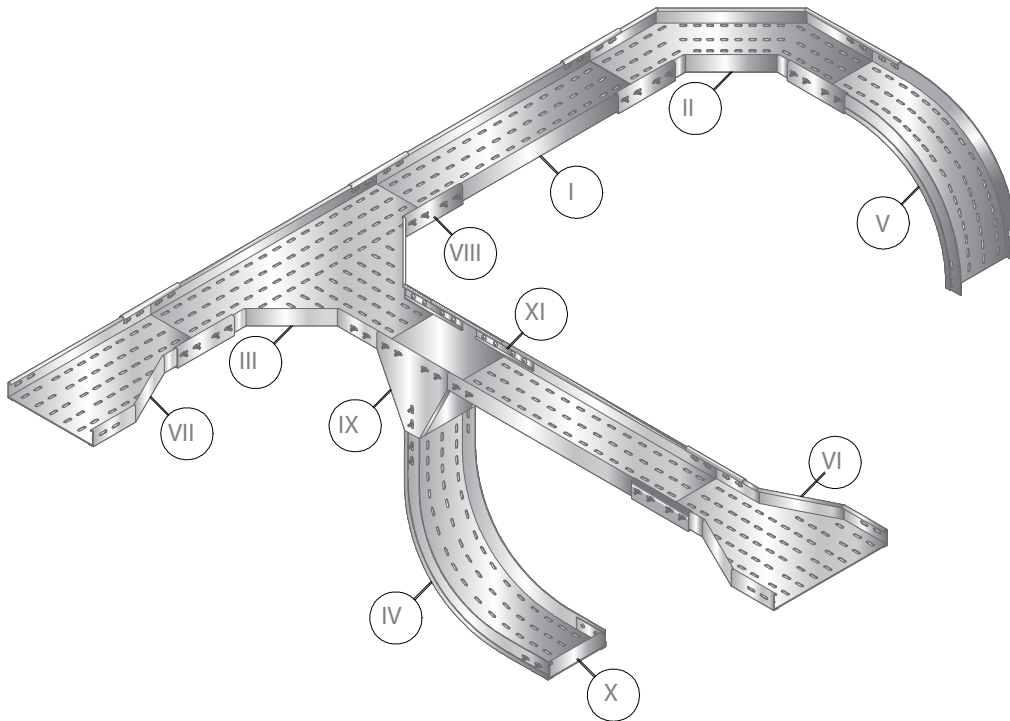
- 52-53 Cable Ladder Accessories
- 54-56 Type Of Cover

### 57 Support System

- 58-63 Fixing Bracket
  - 64 Base Plate
- 65-69 U-Channel
  - 70 Fixing Brackets
  - 71 Cantilevers
  - 72 Support Brackets
  - 76 Hardware

# BAHRA CABLE MANAGEMENT SYSTEM

## CABLE TRAY

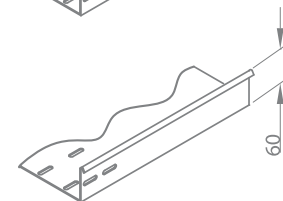
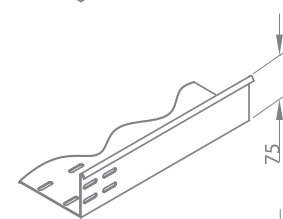
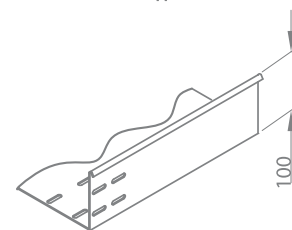
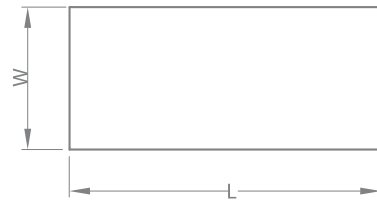
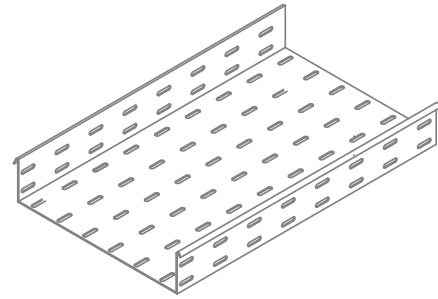


- I. CABLE TRAY STRAIGHT
- II. °90 ELBOW
- III. TEE
- IV. °90 INSIDE RISER
- V. °90 OUTSIDR RISER
- VI. STRAIGHT REDUCER
- VII. LEFT HAND REDUCER
- VIII. ANGUL CONNECTOR
- IX. VERTICAL TEE
- XI. BLIND END
- X. STRAIGHT CONNECTOR

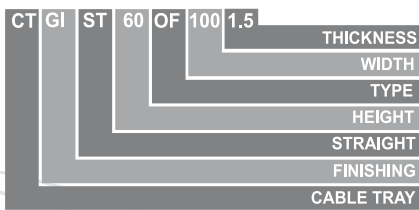
# BAHRA CABLE MANAGEMENT SYSTEM

## CABLE TRAY STRAIGHT

ITEM CODE *	TRAY TYPE	H (mm)	W(mm)	T**(mm)
CT GIST 60 OF 100 1.5	OF	60	100	1.5
CT GIST 60 OF 1.5 150	OF	60	150	1.5
CT GIST 60 OF 1.5 300	OF	60	300	1.5
CT GIST 60 OF 450 2.0	OF	60	450	2.0
CT GIST 60 OF 600 2.0	OF	60	600	2.0
CT GIST 60 OF 75 02.0	OF	60	750	2.0
CT GIST 60 OF 900 2.0	OF	60	900	2.0
CT GIST 75 OF 100 1.5	OF	75	100	1.5
CT GIST 75 OF 150 1.5	OF	75	150	1.5
CT GIST 75 OF 300 1.5	OF	75	300	1.5
CT GIST 75 OF 450 2.0	OF	75	450	2.0
CT GIST 75 OF 600 2.0	OF	75	600	2.0
CT GIST 75 OF 750 2.0	OF	75	750	2.0
CT GIST 75 OF 900 2.0	OF	75	900	2.0
CT GIST 100 OF 100 1.5	OF	100	100	1.5
CT GIST 100 OF 150 1.5	OF	100	150	1.5
CT GIST 100 OF 300 1.5	OF	100	300	1.5
CT GIST 100 OF 450 2.0	OF	100	450	2.0
CT GIST 100 OF 600 2.0	OF	100	600	2.0
CT GIST 100 OF 750 2.0	OF	100	750	2.0
CT GIST 100 OF 900 2.0	OF	100	900	2.0



### \* Code Detail



\*\*Thickness recommendation:

upto 30mm with T + 1.5mm

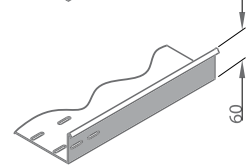
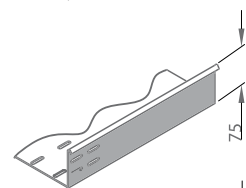
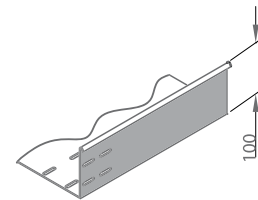
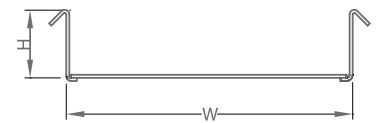
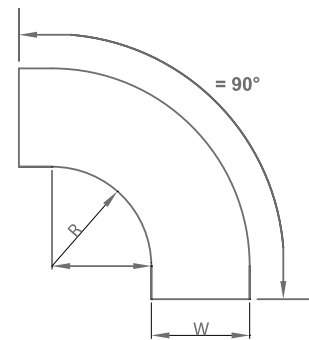
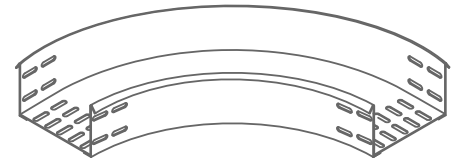
more than 300mm width T=2.0mm

- HDG HOT DIP GALVANIZED
- GI PRE GALVANIZED
- AL ALUMINIUM
- P.C POWDER COATED

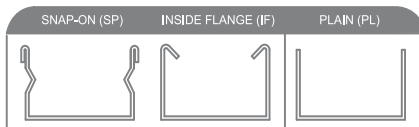
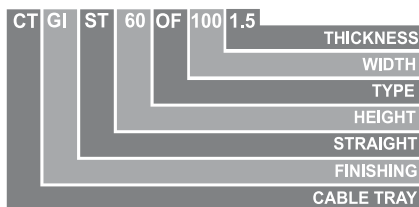
# BAHRA CABLE MANAGEMENT SYSTEM

## CABLE TRAY ELBOW 90°

ITEM CODE *	TRAY TYPE	H (mm)	W(mm)	T**(mm)
CT GI 90E 60 OF 100 1.5	OF	60	100	1.5
CT GI 90E 60 OF 1.5 150	OF	60	150	1.5
CT GI 90E 60 OF 1.5 300	OF	60	300	1.5
CT GI 90E 60 OF 450 2.0	OF	60	450	2.0
CT GI 90E 60 OF 600 2.0	OF	60	600	2.0
CT GI 90E 60 OF 75 02.0	OF	60	750	2.0
CT GI 90E 60 OF 900 2.0	OF	60	900	2.0
CT GI 90E 75 OF 100 1.5	OF	75	100	1.5
CT GI 90E 75 OF 150 1.5	OF	75	150	1.5
CT GI 90E 75 OF 300 1.5	OF	75	300	1.5
CT GI 90E 75 OF 450 2.0	OF	75	450	2.0
CT GI 90E 75 OF 600 2.0	OF	75	600	2.0
CT GI 90E 75 OF 750 2.0	OF	75	750	2.0
CT GI 90E 75 OF 900 2.0	OF	75	900	2.0
CT GI 90E 100 OF 100 1.5	OF	100	100	1.5
CT GI 90E 100 OF 150 1.5	OF	100	150	1.5
CT GI 90E 100 OF 300 1.5	OF	100	300	1.5
CT GI 90E 100 OF 450 2.0	OF	100	450	2.0
CT GI 90E 100 OF 600 2.0	OF	100	600	2.0
CT GI 90E 100 OF 750 2.0	OF	100	750	2.0
CT GI 90E 100 OF 900 2.0	OF	100	900	2.0



### \* Code Detail



\*\*Thickness recommendation:

upto 30mm with T + 1.5mm

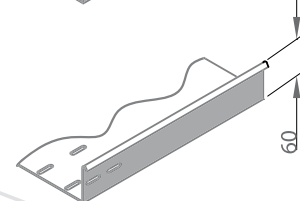
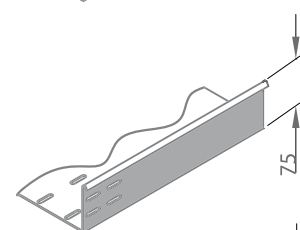
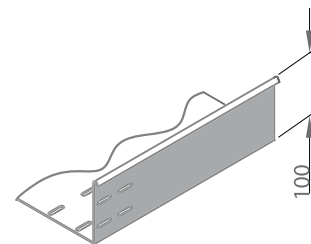
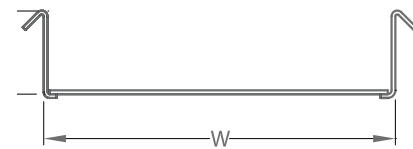
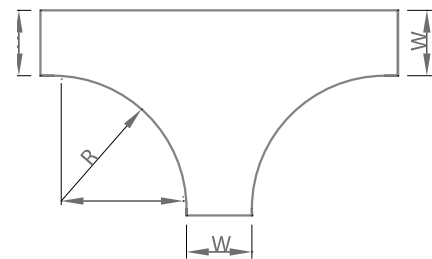
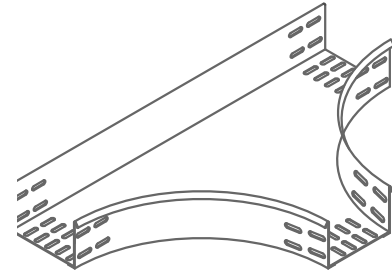
more than 300mm width T=2.0mm

- HDG HOT DIP GALVANIZED
- GI PRE GALVANIZED
- AL ALUMINIUM
- P.C POWDER COATED

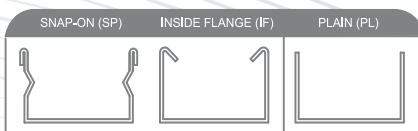
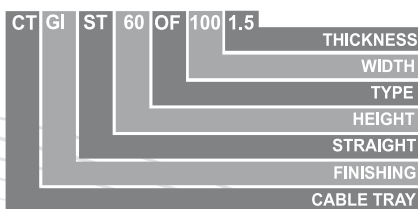
# BAHRA CABLE MANAGEMENT SYSTEM

## CABLE TRAY TEE

ITEM CODE *	TRAY TYPE	H (mm)	W(mm)	T**(mm)
CT GI T60 OF 100 1.5	OF	60	100	1.5
CT GI T60 OF 1.5 150	OF	60	150	1.5
CT GI T60 OF 1.5 300	OF	60	300	1.5
CT GI T60 OF 450 2.0	OF	60	450	2.0
CT GI T60 OF 600 2.0	OF	60	600	2.0
CT GI T60 OF 75 02.0	OF	60	750	2.0
CT GI T60 OF 900 2.0	OF	60	900	2.0
CT GI T 75 OF 100 1.5	OF	75	100	1.5
CT GI T 75 OF 150 1.5	OF	75	150	1.5
CT GI T 75 OF 300 1.5	OF	75	300	1.5
CT GI T 75 OF 450 2.0	OF	75	450	2.0
CT GI T 75 OF 600 2.0	OF	75	600	2.0
CT GI T 75 OF 750 2.0	OF	75	750	2.0
CT GI T 75 OF 900 2.0	OF	75	900	2.0
CT GI T 100 OF 100 1.5	OF	100	100	1.5
CT GI T 100 OF 150 1.5	OF	100	150	1.5
CT GI T 100 OF 300 1.5	OF	100	300	1.5
CT GI T 100 OF 450 2.0	OF	100	450	2.0
CT GI T 100 OF 600 2.0	OF	100	600	2.0
CT GI T 100 OF 750 2.0	OF	100	750	2.0
CT GI T 100 OF 900 2.0	OF	100	900	2.0



### \* Code Detail



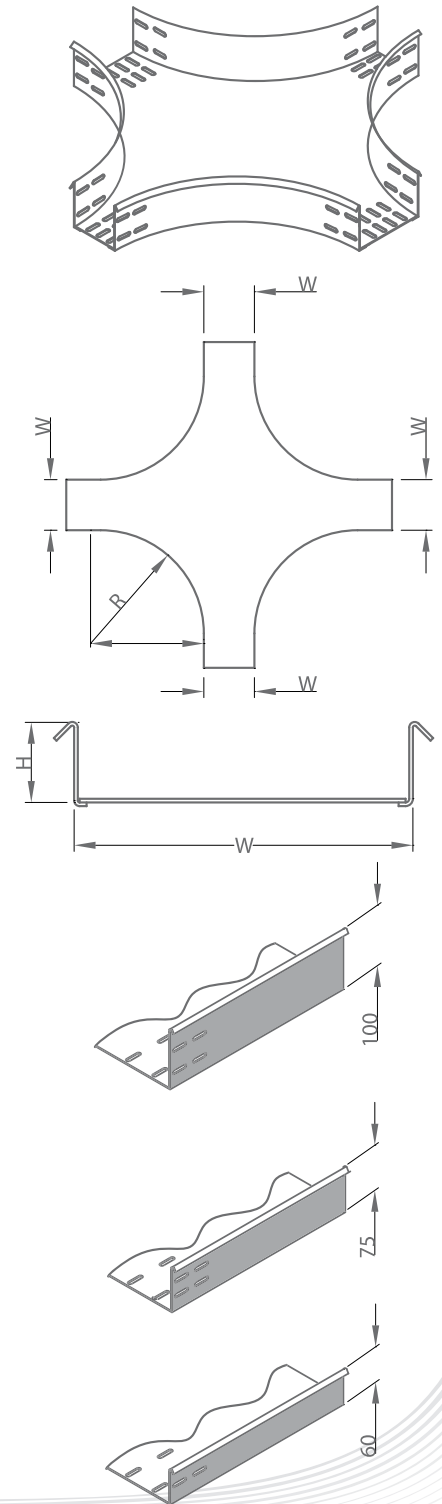
\*\*Thickness recommendation:

upto 30mm with T + 1.5mm	GI	PRE GALVANIZED
more than 300mm width T=2.0mm	AL	ALUMINIUM
	P.C	POWDER COATED

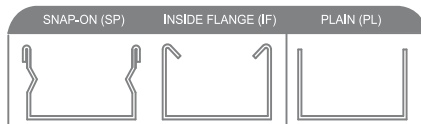
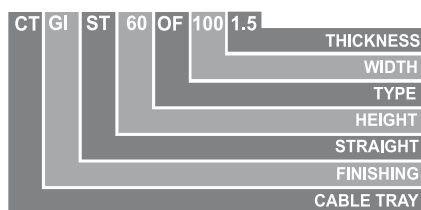
# BAHRA CABLE MANAGEMENT SYSTEM

## CABLE TRAY CROSS

ITEM CODE *	TRAY TYPE	H (mm)	W(mm)	T**(mm)
CT GI C 60 OF 100 1.5	OF	60	100	1.5
CT GI C 60 OF 150 1.5	OF	60	150	1.5
CT GI C 60 OF 300 1.5	OF	60	300	1.5
CT GI C 60 OF 450 2.0	OF	60	450	2.0
CT GI C 60 OF 600 2.0	OF	60	600	2.0
CT GI C 60 OF 750 2.0	OF	60	750	2.0
CT GI C 60 OF 900 2.0	OF	60	900	2.0
CT GI C 75 OF 100 1.5	OF	75	100	1.5
CT GI C 75 OF 150 1.5	OF	75	150	1.5
CT GI C 75 OF 300 1.5	OF	75	300	1.5
CT GI C 75 OF 450 2.0	OF	75	450	2.0
CT GI C 75 OF 600 2.0	OF	75	600	2.0
CT GI C 75 OF 750 2.0	OF	75	750	2.0
CT GI C 75 OF 900 2.0	OF	75	900	2.0
CT GI C 100 OF 100 1.5	OF	100	100	1.5
CT GI C 100 OF 150 1.5	OF	100	150	1.5
CT GI C 100 OF 300 1.5	OF	100	300	1.5
CT GI C 100 OF 450 2.0	OF	100	450	2.0
CT GI C 100 OF 600 2.0	OF	100	600	2.0
CT GI C 100 OF 750 2.0	OF	100	750	2.0
CT GI C 100 OF 900 2.0	OF	100	900	2.0



### \* Code Detail



\*\*Thickness recommendation:

upto 30mm with T + 1.5mm

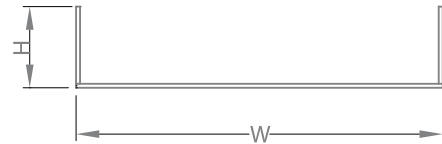
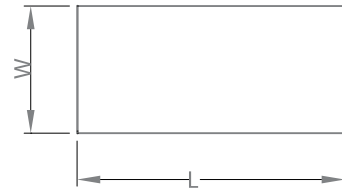
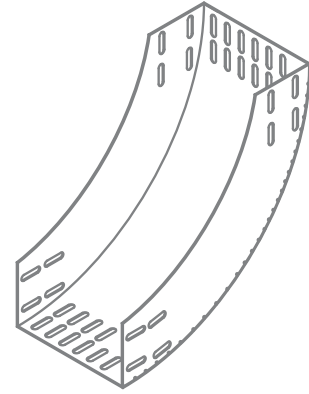
more than 300mm width T=2.0mm

HDG HOT DIP GALVANIZED  
 GI PRE GALVANIZED  
 AL ALUMINIUM  
 P.C POWDER COATED

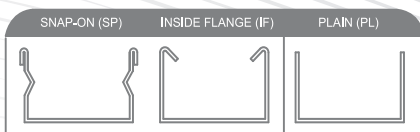
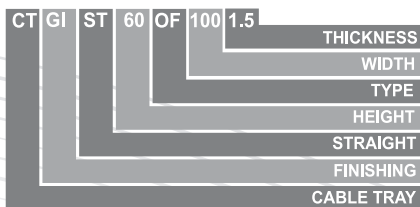
# BAHRA CABLE MANAGEMENT SYSTEM

## CABLE TRAY INSIDE RISER

ITEM CODE *	TRAY TYPE	H (mm)	W(mm)	T**(mm)
CT GI IR 60 OF 100 1.5	OF	60	100	1.5
CT GI IR 60 OF 150 1.5	OF	60	150	1.5
CT GI IR 60 OF 300 1.5	OF	60	300	1.5
CT GI IR 60 OF 450 2.0	OF	60	450	2.0
CT GI IR 60 OF 600 2.0	OF	60	600	2.0
CT GI IR 60 OF 750 2.0	OF	60	750	2.0
CT GI IR 60 OF 900 2.0	OF	60	900	2.0
CT GI IR 75 OF 100 1.5	OF	75	100	1.5
CT GI IR 75 OF 150 1.5	OF	75	150	1.5
CT GI IR 75 OF 300 1.5	OF	75	300	1.5
CT GI IR 75 OF 450 2.0	OF	75	450	2.0
CT GI IR 75 OF 600 2.0	OF	75	600	2.0
CT GI IR 75 OF 750 2.0	OF	75	750	2.0
CT GI IR 75 OF 900 2.0	OF	75	900	2.0
CT GI IR 100 OF 100 1.5	OF	100	100	1.5
CT GI IR 100 OF 150 1.5	OF	100	150	1.5
CT GI IR 100 OF 300 1.5	OF	100	300	1.5
CT GI IR 100 OF 450 2.0	OF	100	450	2.0
CT GI IR 100 OF 600 2.0	OF	100	600	2.0
CT GI IR 100 OF 750 2.0	OF	100	750	2.0
CT GI IR 100 OF 900 2.0	OF	100	900	2.0



### \* Code Detail

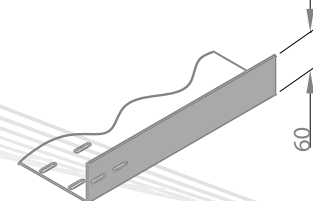
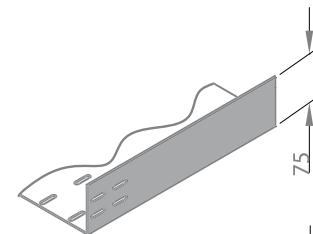
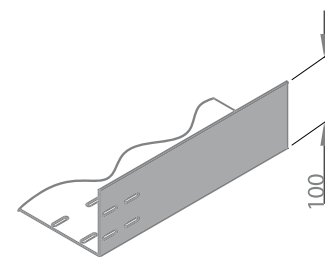


\*\*Thickness recommendation:

upto 30mm with T + 1.5mm

more than 300mm width T=2.0mm

- HDG HOT DIP GALVANIZED
- GI PRE GALVANIZED
- AL ALUMINIUM
- P.C POWDER COATED

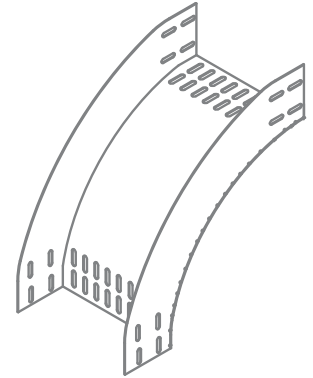




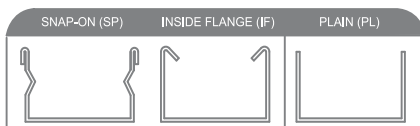
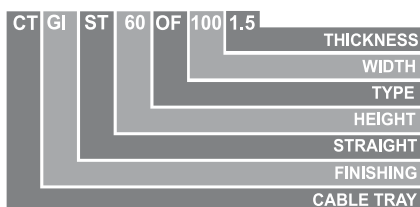
# BAHRA CABLE MANAGEMENT SYSTEM

## CABLE TRAY OUTSIDE RISER

ITEM CODE *	TRAY TYPE	H (mm)	W(mm)	T**(mm)
CT GI OR 60 OF 100 1.5	OF	60	100	1.5
CT GI OR 60 OF 150 1.5	OF	60	150	1.5
CT GI OR 60 OF 300 1.5	OF	60	300	1.5
CT GI OR 60 OF 450 2.0	OF	60	450	2.0
CT GI OR 60 OF 600 2.0	OF	60	600	2.0
CT GI OR 60 OF 750 2.0	OF	60	750	2.0
CT GI OR 60 OF 900 2.0	OF	60	900	2.0
CT GI OR 75 OF 100 1.5	OF	75	100	1.5
CT GI OR 75 OF 150 1.5	OF	75	150	1.5
CT GI OR 75 OF 300 1.5	OF	75	300	1.5
CT GI OR 75 OF 450 2.0	OF	75	450	2.0
CT GI OR 75 OF 600 2.0	OF	75	600	2.0
CT GI OR 75 OF 750 2.0	OF	75	750	2.0
CT GI OR 75 OF 900 2.0	OF	75	900	2.0
CT GI OR 100 OF 100 1.5	OF	100	100	1.5
CT GI OR 100 OF 150 1.5	OF	100	150	1.5
CT GI OR 100 OF 300 1.5	OF	100	300	1.5
CT GI OR 100 OF 450 2.0	OF	100	450	2.0
CT GI OR 100 OF 600 2.0	OF	100	600	2.0
CT GI OR 100 OF 750 2.0	OF	100	750	2.0
CT GI OR 100 OF 900 2.0	OF	100	900	2.0



### \* Code Detail

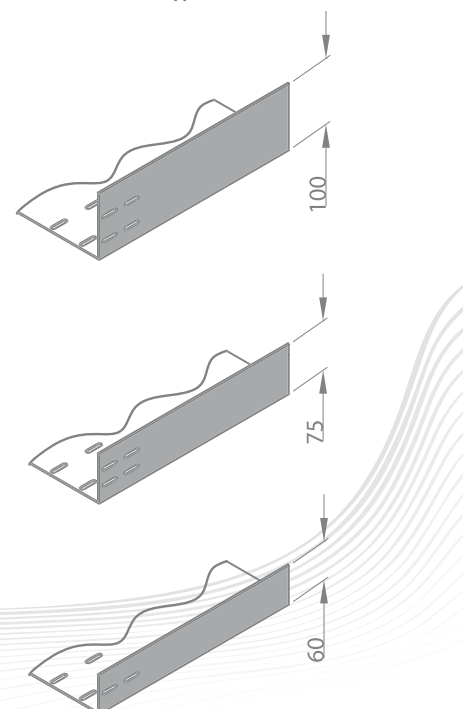


\*\*Thickness recommendation:

upto 30mm with T + 1.5mm

more than 300mm width T=2.0mm

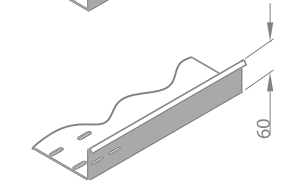
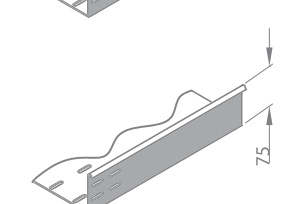
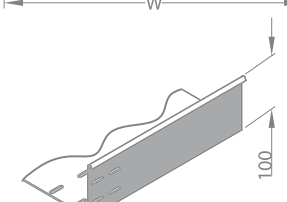
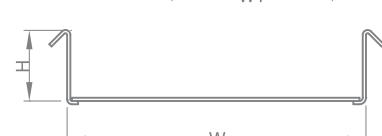
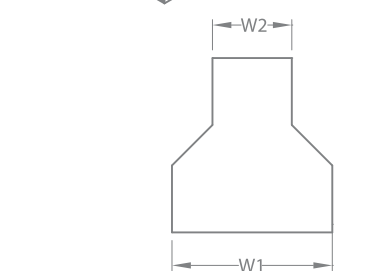
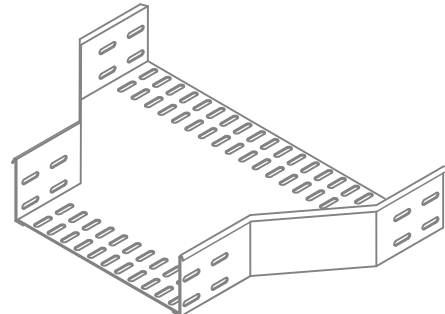
- HDG    HOT DIP GALVANIZED
- GI      PRE GALVANIZED
- AL     ALUMINIUM
- P.C    POWDER COATED



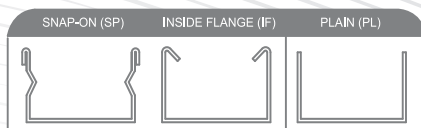
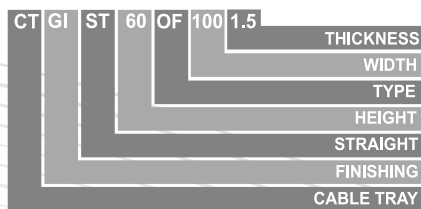
# BAHRA CABLE MANAGEMENT SYSTEM

## CABLE TRAY ST-REDUCER

ITEM CODE *	TRAY TYPE	H (mm)	W(mm)	T**(mm)
CT GI SR 60 OF 100 1.5	OF	60	100	1.5
CT GI SR 60 OF 150 1.5	OF	60	150	1.5
CT GI SR 60 OF 300 1.5	OF	60	300	1.5
CT GI SR 60 OF 450 2.0	OF	60	450	2.0
CT GI SR 60 OF 600 2.0	OF	60	600	2.0
CT GI SR 60 OF 750 2.0	OF	60	750	2.0
CT GI SR 60 OF 900 2.0	OF	60	900	2.0
CT GI SR 75 OF 100 1.5	OF	75	100	1.5
CT GI SR 75 OF 150 1.5	OF	75	150	1.5
CT GI SR 75 OF 300 1.5	OF	75	300	1.5
CT GI SR 75 OF 450 2.0	OF	75	450	2.0
CT GI SR 75 OF 600 2.0	OF	75	600	2.0
CT GI SR 75 OF 750 2.0	OF	75	750	2.0
CT GI SR 75 OF 900 2.0	OF	75	900	2.0
CT GI SR 100 OF 100 1.5	OF	100	100	1.5
CT GI SR 100 OF 150 1.5	OF	100	150	1.5
CT GI SR 100 OF 300 1.5	OF	100	300	1.5
CT GI SR 100 OF 450 2.0	OF	100	450	2.0
CT GI SR 100 OF 600 2.0	OF	100	600	2.0
CT GI SR 100 OF 750 2.0	OF	100	750	2.0
CT GI SR 100 OF 900 2.0	OF	100	900	2.0



### \* Code Detail



\*\*Thickness recommendation:

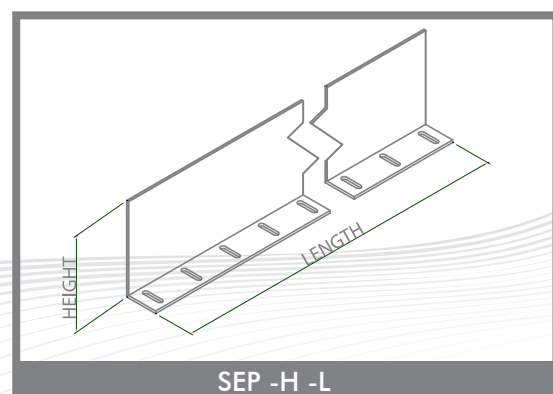
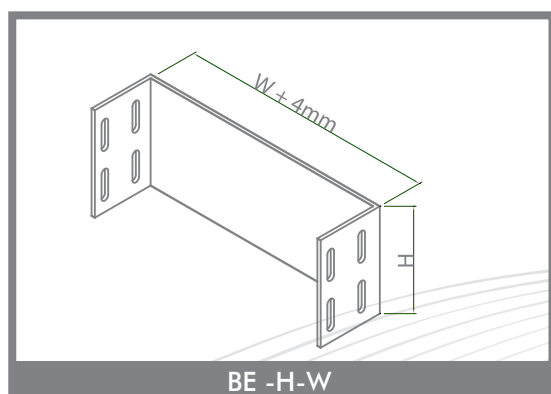
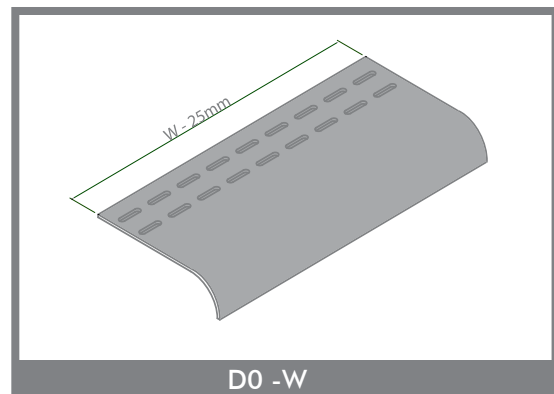
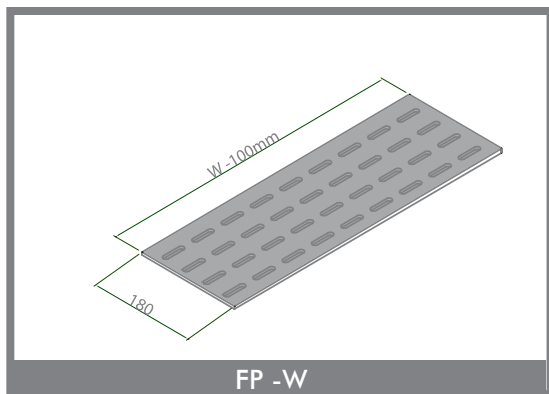
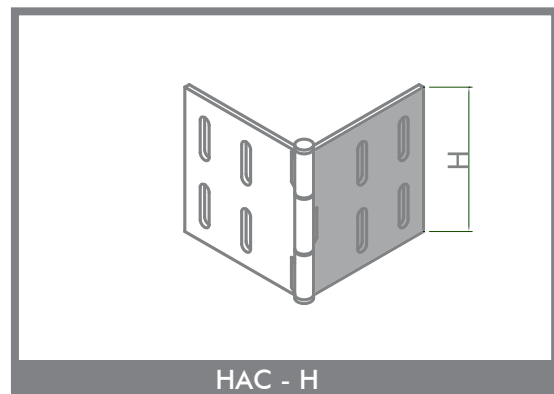
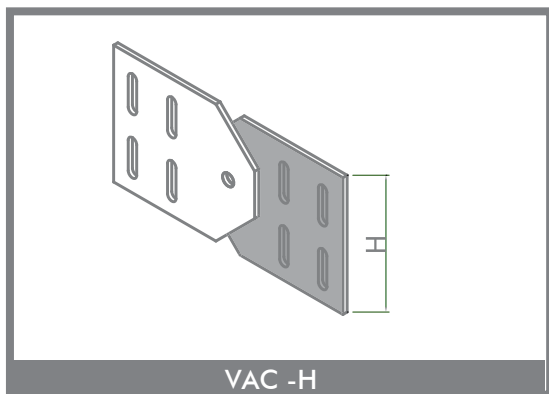
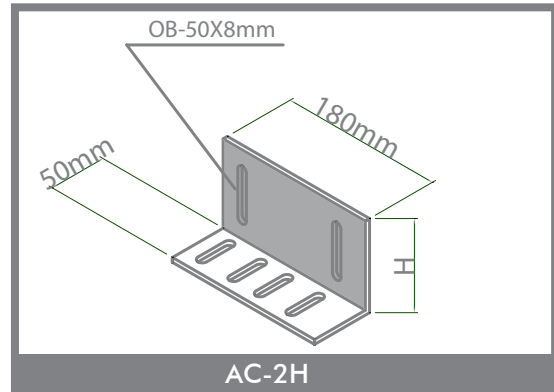
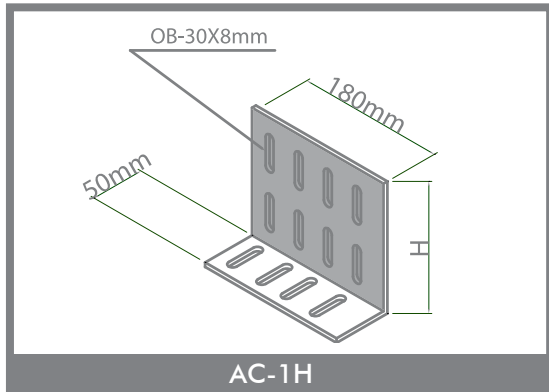
upto 30mm with T + 1.5mm

more than 300mm width T=2.0mm

- HDG    HOT DIP GALVANIZED
- GI      PRE GALVANIZED
- AL      ALUMINIUM
- P.C     POWDER COATED

# BAHRA CABLE MANAGEMENT SYSTEM

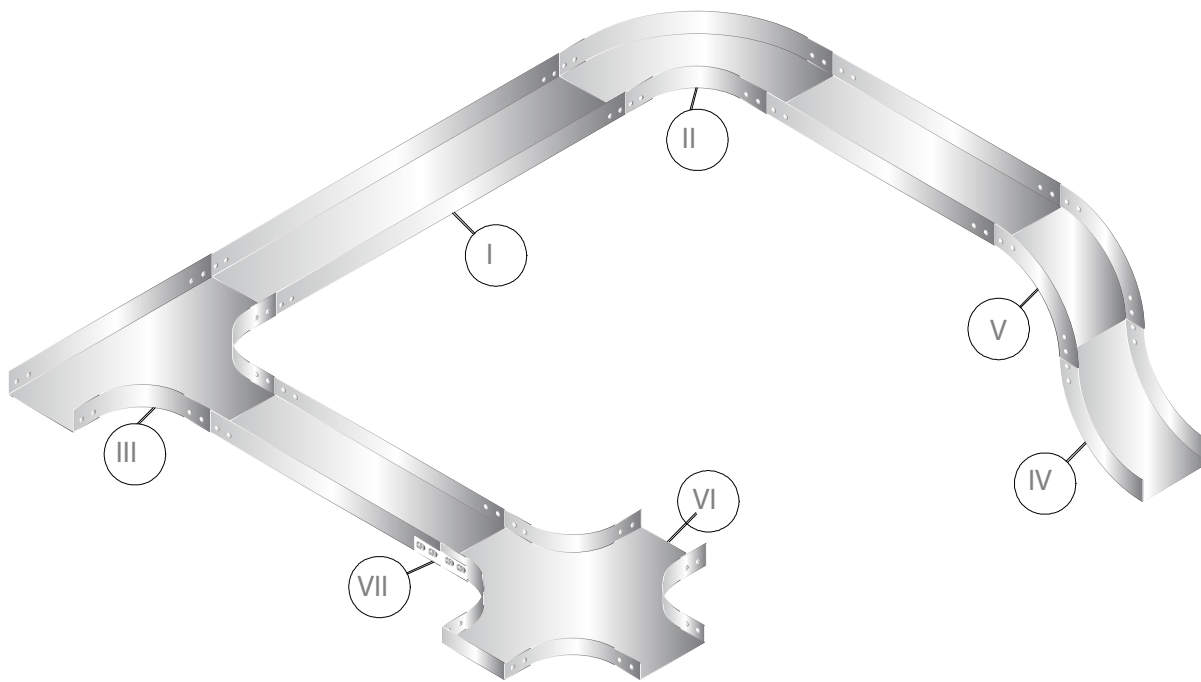
## CABLE TRAY ACCESSORIES



# BAHRA CABLE MANAGEMENT SYSTEM

## CABLE TRUNK

---

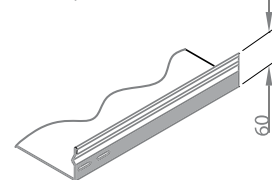
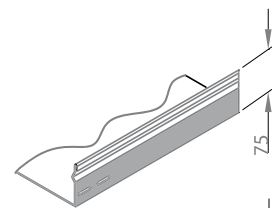
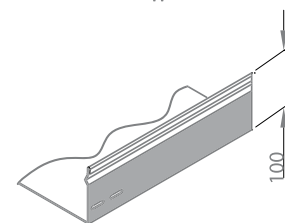
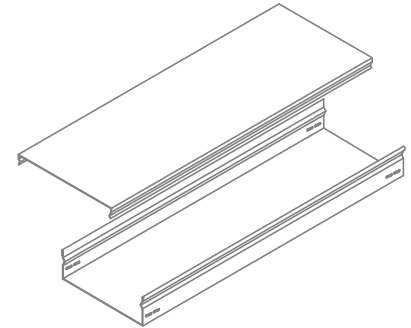


- I. CABLE TRAY STRAIGHT
- II. °90 ELBOW
- III. TEE
- IV °90 INSIDE RISER
- V °90 OUTSIDR RISER
- VI CORSS
- VII U-CONNECTOR

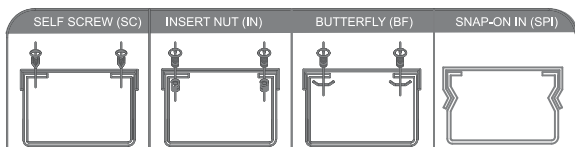
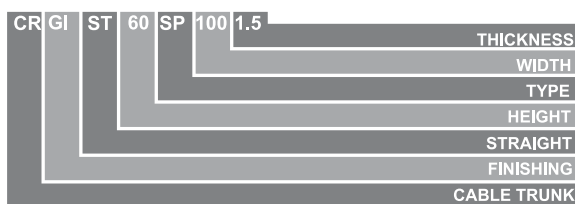
# BAHRA CABLE MANAGEMENT SYSTEM

## CABLE TRUNK STRAIGHT

ITEM CODE *	TRAY TYPE	H (mm)	W(mm)	T**(mm)
CT GI ST 60 SP 100 1.5	SP	60	100	1.5
CT GI ST 60 SP 150 1.5	SP	60	150	1.5
CT GI ST 60 SP 300 1.5	SP	60	300	1.5
CT GI ST 60 SP 450 2.0	SP	60	450	2.0
CT GI ST 60 SP 600 2.0	SP	60	600	2.0
CT GI ST 60 SP 75 02.0	SP	60	750	2.0
CT GI ST 60 SP 900 2.0	SP	60	900	2.0
CT GI ST 75 SP 100 1.5	SP	75	100	1.5
CT GI ST 75 SP 150 1.5	SP	75	150	1.5
CT GI ST 75 SP 300 1.5	SP	75	300	1.5
CT GI ST 75 SP 450 2.0	SP	75	450	2.0
CT GI ST 75 SP 600 2.0	SP	75	600	2.0
CT GI ST 75 SP 750 2.0	SP	75	750	2.0
CT GI ST 75 SP 900 2.0	SP	75	900	2.0
CT GI ST 100 SP 100 1.5	SP	100	100	1.5
CT GI ST 100 SP 150 1.5	SP	100	150	1.5
CT GI ST 100 SP 300 1.5	SP	100	300	1.5
CT GI ST 100 SP 450 2.0	SP	100	450	2.0
CT GI ST 100 SP 600 2.0	SP	100	600	2.0
CT GI ST 100 SP 750 2.0	SP	100	750	2.0
CT GI ST 100 SP 900 2.0	SP	100	900	2.0



### \* Code Detail



\*\*Thickness recommendation:

upto 30mm with T + 1.5mm

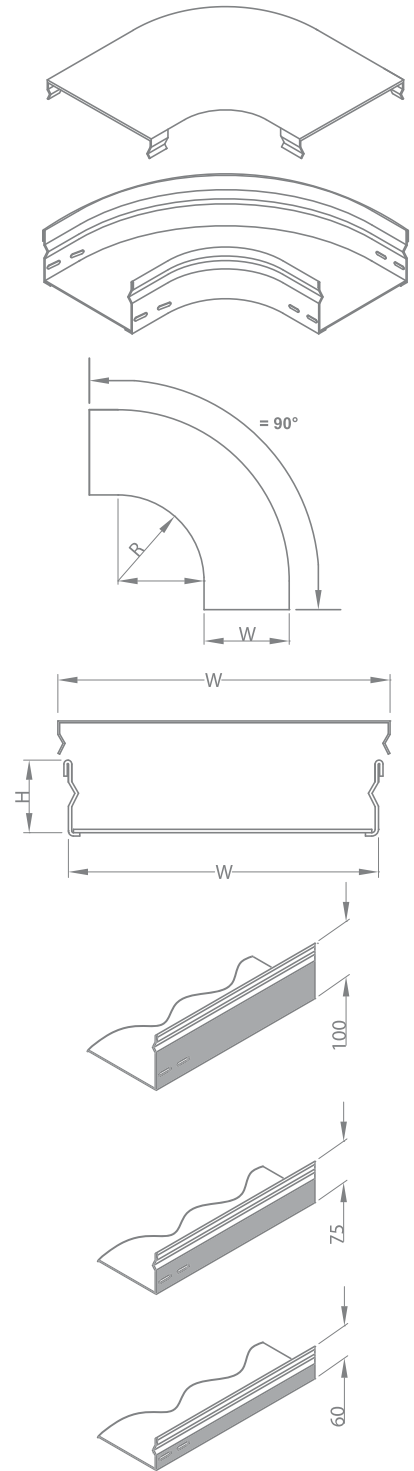
more than 300mm width T=2.0mm

HDG	HOT DIP GALVANIZED
GI	PRE GALVANIZED
AL	ALUMINIUM
P.C	POWDER COATED

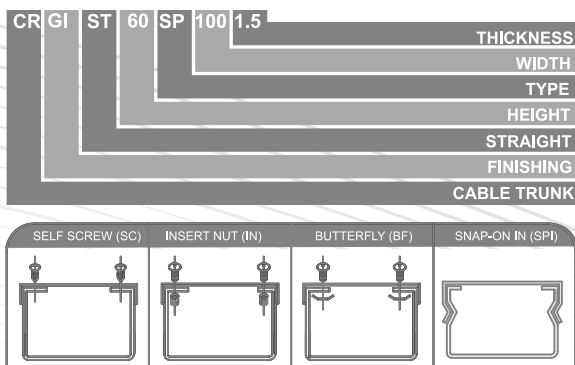
# BAHRA CABLE MANAGEMENT SYSTEM

## CABLE TRUNK ELBOW 90°

ITEM CODE *	TRAY TYPE	H (mm)	W(mm)	T**(mm)
CR GI 90E 60 SP 100 1.5	SP	60	100	1.5
CR GI 90E 60 SP 150 1.5	SP	60	150	1.5
CR GI 90E 60 SP 300 1.5	SP	60	300	1.5
CR GI 90E 60 SP 450 2.0	SP	60	450	2.0
CR GI 90E 60 SP 600 2.0	SP	60	600	2.0
CR GI 90E 60 SP 75 02.0	SP	60	750	2.0
CR GI 90E 60 SP 900 2.0	SP	60	900	2.0
CR GI 90E 75 SP 100 1.5	SP	75	100	1.5
CR GI 90E 75 SP 150 1.5	SP	75	150	1.5
CR GI 90E 75 SP 300 1.5	SP	75	300	1.5
CR GI 90E 75 SP 450 2.0	SP	75	450	2.0
CR GI 90E 75 SP 600 2.0	SP	75	600	2.0
CR GI 90E 75 SP 750 2.0	SP	75	750	2.0
CR GI 90E 75 SP 900 2.0	SP	75	900	2.0
CR GI 90E 100 SP 100 1.5	SP	100	100	1.5
CR GI 90E 100 SP 150 1.5	SP	100	150	1.5
CR GI 90E 100 SP 300 1.5	SP	100	300	1.5
CR GI 90E 100 SP 450 2.0	SP	100	450	2.0
CR GI 90E 100 SP 600 2.0	SP	100	600	2.0
CR GI 90E 100 SP 750 2.0	SP	100	750	2.0
CR GI 90E 100 SP 900 2.0	SP	100	900	2.0



### \* Code Detail



\*\*Thickness recommendation:

upto 30mm with T + 1.5mm

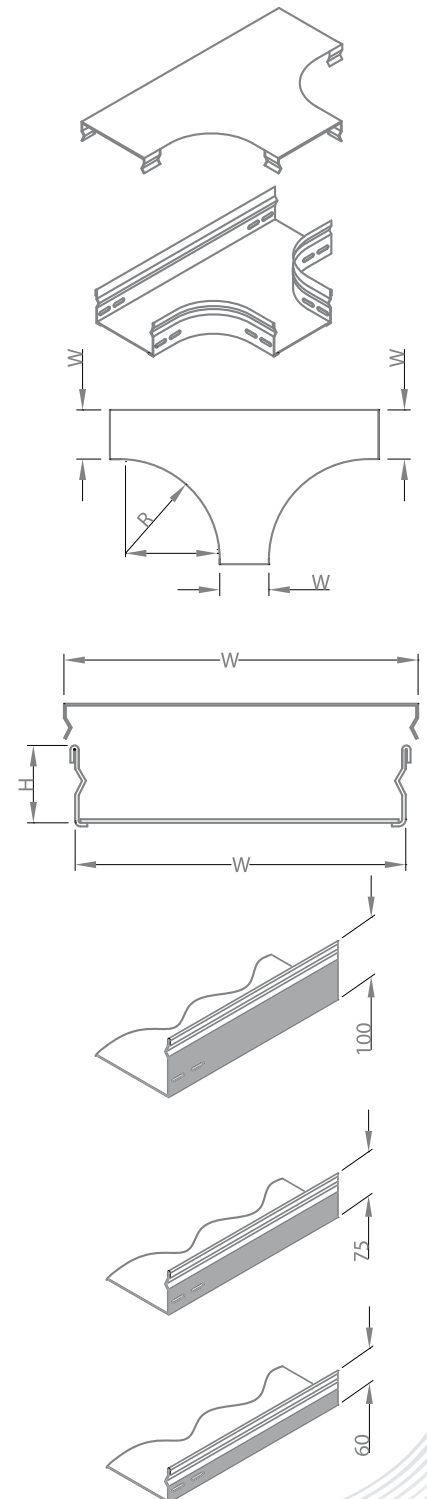
more than 300mm width T=2.0mm

HDG HOT DIP GALVANIZED  
 GI PRE GALVANIZED  
 AL ALUMINIUM  
 P.C POWDER COATED

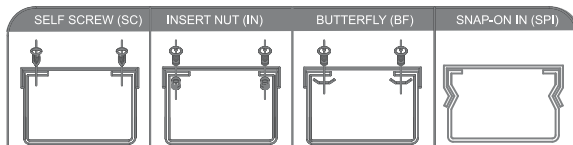
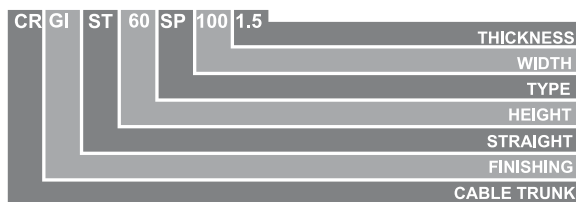
# BAHRA CABLE MANAGEMENT SYSTEM

## CABLE TRUNK TEE

ITEM CODE *	TRAY TYPE	H (mm)	W(mm)	T**(mm)
CR GI T 60 SP 100 1.5	SP	60	100	1.5
CR GI T 60 SP 150 1.5	SP	60	150	1.5
CR GI T 60 SP 300 1.5	SP	60	300	1.5
CR GI T 60 SP 450 2.0	SP	60	450	2.0
CR GI T 60 SP 600 2.0	SP	60	600	2.0
CR GI T 60 SP 75 02.0	SP	60	750	2.0
CR GI T 60 SP 900 2.0	SP	60	900	2.0
CR GI T 75 SP 100 1.5	SP	75	100	1.5
CR GI T 75 SP 150 1.5	SP	75	150	1.5
CR GI T 75 SP 300 1.5	SP	75	300	1.5
CR GI T 75 SP 450 2.0	SP	75	450	2.0
CR GI T 75 SP 600 2.0	SP	75	600	2.0
CR GI T 75 SP 750 2.0	SP	75	750	2.0
CR GI T 75 SP 900 2.0	SP	75	900	2.0
CR GI T 100 SP 100 1.5	SP	100	100	1.5
CR GI T 100 SP 150 1.5	SP	100	150	1.5
CR GI T 100 SP 300 1.5	SP	100	300	1.5
CR GI T 100 SP 450 2.0	SP	100	450	2.0
CR GI T 100 SP 600 2.0	SP	100	600	2.0
CR GI T 100 SP 750 2.0	SP	100	750	2.0
CR GI T 100 SP 900 2.0	SP	100	900	2.0



### \* Code Detail



\*\*Thickness recommendation:

upto 30mm with T + 1.5mm

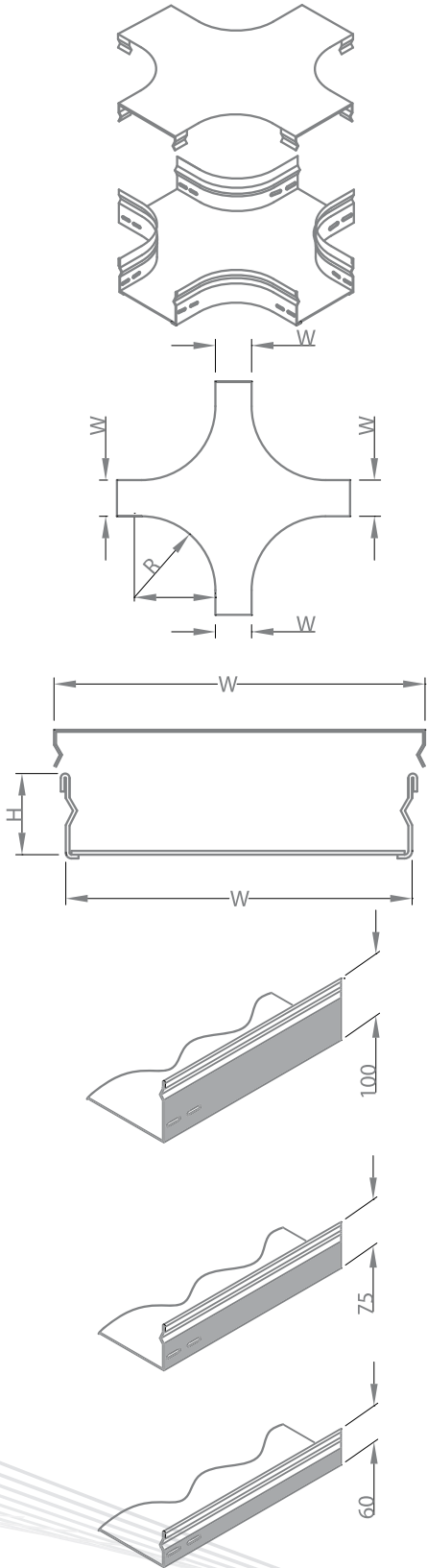
more than 300mm width T=2.0mm

HDG HOT DIP GALVANIZED  
 GI PRE GALVANIZED  
 AL ALUMINIUM  
 P.C POWDER COATED

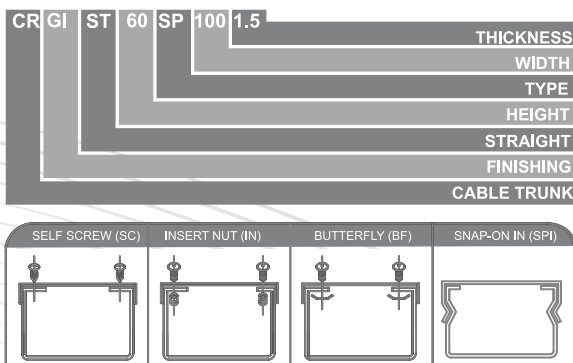
# BAHRA CABLE MANAGEMENT SYSTEM

## CABLE TRUNK CROSS

ITEM CODE *	TRAY TYPE	H (mm)	W(mm)	T**(mm)
CR GI C 60 SP 100 1.5	SP	60	100	1.5
CR GI C 60 SP 150 1.5	SP	60	150	1.5
CR GI C 60 SP 300 1.5	SP	60	300	1.5
CR GI C 60 SP 450 2.0	SP	60	450	2.0
CR GI C 60 SP 600 2.0	SP	60	600	2.0
CR GI C 60 SP 75 02.0	SP	60	750	2.0
CR GI C 60 SP 900 2.0	SP	60	900	2.0
CR GI C 75 SP 100 1.5	SP	75	100	1.5
CR GI C 75 SP 150 1.5	SP	75	150	1.5
CR GI C 75 SP 300 1.5	SP	75	300	1.5
CR GI C 75 SP 450 2.0	SP	75	450	2.0
CR GI C 75 SP 600 2.0	SP	75	600	2.0
CR GI C 75 SP 750 2.0	SP	75	750	2.0
CR GI C 75 SP 900 2.0	SP	75	900	2.0
CR GI C 100 SP 100 1.5	SP	100	100	1.5
CR GI C 100 SP 150 1.5	SP	100	150	1.5
CR GI C 100 SP 300 1.5	SP	100	300	1.5
CR GI C 100 SP 450 2.0	SP	100	450	2.0
CR GI C 100 SP 600 2.0	SP	100	600	2.0
CR GI C 100 SP 750 2.0	SP	100	750	2.0
CR GI C 100 SP 900 2.0	SP	100	900	2.0



### \* Code Detail



\*\*Thickness recommendation:

upto 30mm with T + 1.5mm

more than 300mm width T=2.0mm

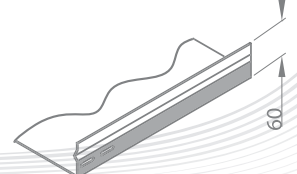
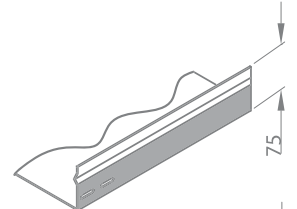
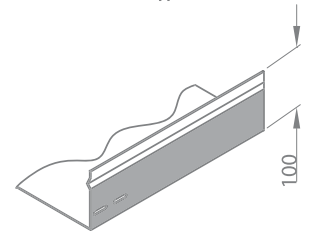
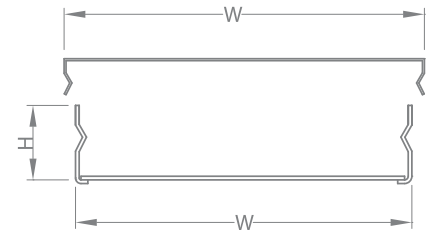
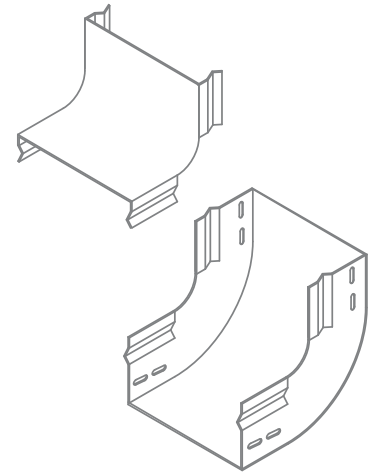
- HDG HOT DIP GALVANIZED
- GI PRE GALVANIZED
- AL ALUMINIUM
- P.C POWDER COATED



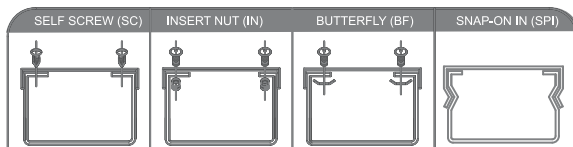
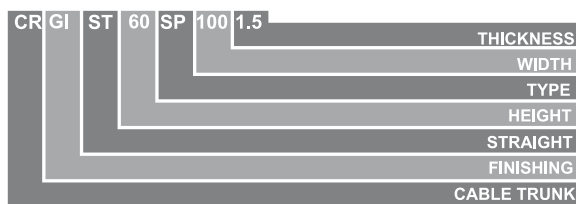
# BAHRA CABLE MANAGEMENT SYSTEM

## CABLE TRUNK INSIDE RISER

ITEM CODE *	TRAY TYPE	H (mm)	W(mm)	T**(mm)
CR GI IR 60 SP 100 1.5	SP	60	100	1.5
CR GI IR 60 SP 150 1.5	SP	60	150	1.5
CR GI IR 60 SP 300 1.5	SP	60	300	1.5
CR GI IR 60 SP 450 2.0	SP	60	450	2.0
CR GI IR 60 SP 600 2.0	SP	60	600	2.0
CR GI IR 60 SP 75 02.0	SP	60	750	2.0
CR GI IR 60 SP 900 2.0	SP	60	900	2.0
CR GI IR 75 SP 100 1.5	SP	75	100	1.5
CR GI IR 75 SP 150 1.5	SP	75	150	1.5
CR GI IR 75 SP 300 1.5	SP	75	300	1.5
CR GI IR 75 SP 450 2.0	SP	75	450	2.0
CR GI IR 75 SP 600 2.0	SP	75	600	2.0
CR GI IR 75 SP 750 2.0	SP	75	750	2.0
CR GI IR 75 SP 900 2.0	SP	75	900	2.0
CR GI IR 100 SP 100 1.5	SP	100	100	1.5
CR GI IR 100 SP 150 1.5	SP	100	150	1.5
CR GI IR 100 SP 300 1.5	SP	100	300	1.5
CR GI IR 100 SP 450 2.0	SP	100	450	2.0
CR GI IR 100 SP 600 2.0	SP	100	600	2.0
CR GI IR 100 SP 750 2.0	SP	100	750	2.0
CR GI IR 100 SP 900 2.0	SP	100	900	2.0



### \* Code Detail



\*\*Thickness recommendation:

upto 30mm with T + 1.5mm

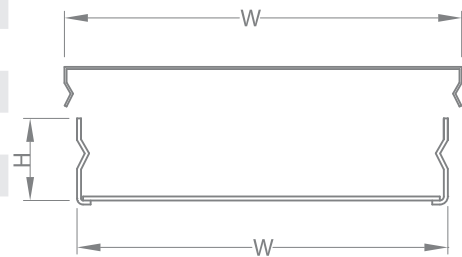
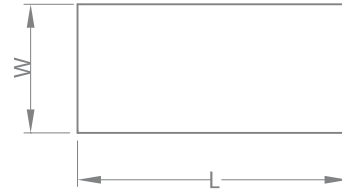
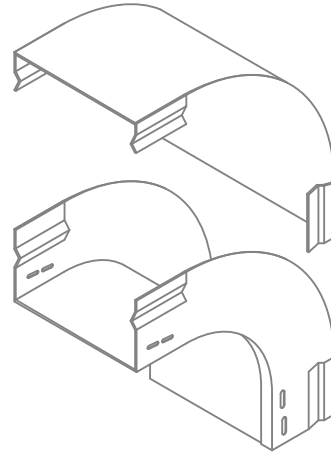
more than 300mm width T=2.0mm

HDG	HOT DIP GALVANIZED
GI	PRE GALVANIZED
AL	ALUMINIUM
P.C	POWDER COATED

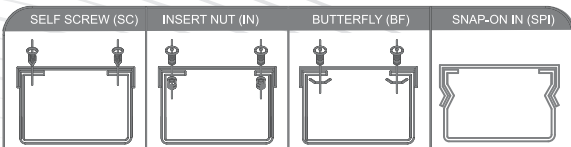
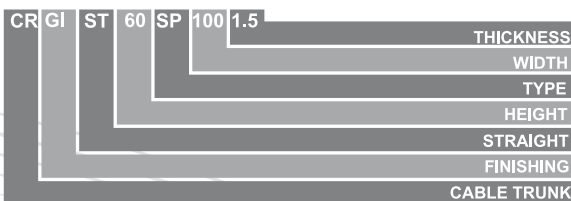
# BAHRA CABLE MANAGEMENT SYSTEM

## CABLE TRUNK OUTSIDE RISER

ITEM CODE *	TRAY TYPE	H (mm)	W(mm)	T**(mm)
CR GI OR 60 SP 100 1.5	SP	60	100	1.5
CR GI OR 60 SP 150 1.5	SP	60	150	1.5
CR GI OR 60 SP 300 1.5	SP	60	300	1.5
CR GI OR 60 SP 450 2.0	SP	60	450	2.0
CR GI OR 60 SP 600 2.0	SP	60	600	2.0
CR GI OR 60 SP 75 02.0	SP	60	750	2.0
CR GI OR 60 SP 900 2.0	SP	60	900	2.0
CR GI OR 75 SP 100 1.5	SP	75	100	1.5
CR GI OR 75 SP 150 1.5	SP	75	150	1.5
CR GI OR 75 SP 300 1.5	SP	75	300	1.5
CR GI OR 75 SP 450 2.0	SP	75	450	2.0
CR GI OR 75 SP 600 2.0	SP	75	600	2.0
CR GI OR 75 SP 750 2.0	SP	75	750	2.0
CR GI OR 75 SP 900 2.0	SP	75	900	2.0
CR GI OR 100 SP 100 1.5	SP	100	100	1.5
CR GI OR 100 SP 150 1.5	SP	100	150	1.5
CR GI OR 100 SP 300 1.5	SP	100	300	1.5
CR GI OR 100 SP 450 2.0	SP	100	450	2.0
CR GI OR 100 SP 600 2.0	SP	100	600	2.0
CR GI OR 100 SP 750 2.0	SP	100	750	2.0
CR GI OR 100 SP 900 2.0	SP	100	900	2.0



### \* Code Detail

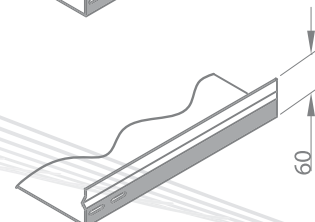
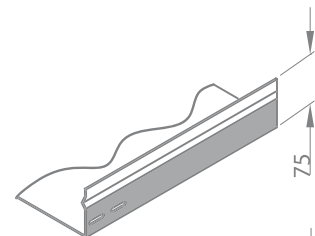
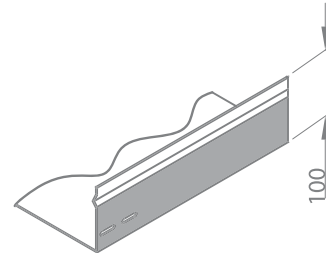


\*\*Thickness recommendation:

upto 30mm with T + 1.5mm

more than 300mm width T=2.0mm

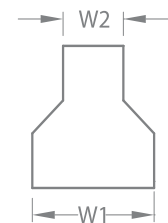
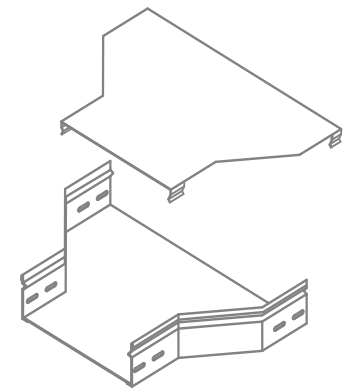
HDG	HOT DIP GALVANIZED
GI	PRE GALVANIZED
AL	ALUMINIUM
P.C	POWDER COATED



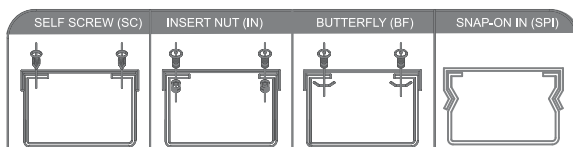
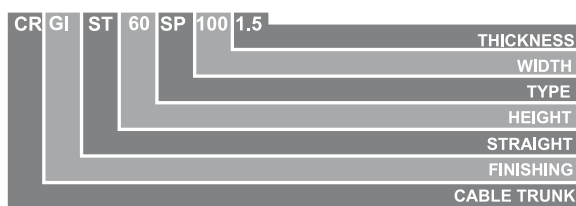
# BAHRA CABLE MANAGEMENT SYSTEM

## CABLE TRUNK STRAINGLE REDUCER

ITEM CODE *	TRAY TYPE	H (mm)	W(mm)	T**(mm)
CR GI SR 60 SP 100 1.5	SP	60	100	1.5
CR GI SR 60 SP 150 1.5	SP	60	150	1.5
CR GI SR 60 SP 300 1.5	SP	60	300	1.5
CR GI SR 60 SP 450 2.0	SP	60	450	2.0
CR GI SR 60 SP 600 2.0	SP	60	600	2.0
CR GI SR 60 SP 75 02.0	SP	60	750	2.0
CR GI SR 60 SP 900 2.0	SP	60	900	2.0
CR GI SR 75 SP 100 1.5	SP	75	100	1.5
CR GI SR 75 SP 150 1.5	SP	75	150	1.5
CR GI SR 75 SP 300 1.5	SP	75	300	1.5
CR GI SR 75 SP 450 2.0	SP	75	450	2.0
CR GI SR 75 SP 600 2.0	SP	75	600	2.0
CR GI SR 75 SP 750 2.0	SP	75	750	2.0
CR GI SR 75 SP 900 2.0	SP	75	900	2.0
CR GI SR 100 SP 100 1.5	SP	100	100	1.5
CR GI SR 100 SP 150 1.5	SP	100	150	1.5
CR GI SR 100 SP 300 1.5	SP	100	300	1.5
CR GI SR 100 SP 450 2.0	SP	100	450	2.0
CR GI SR 100 SP 600 2.0	SP	100	600	2.0
CR GI SR 100 SP 750 2.0	SP	100	750	2.0
CR GI SR 100 SP 900 2.0	SP	100	900	2.0



### \* Code Detail

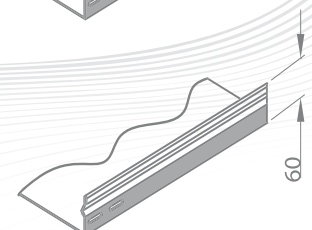
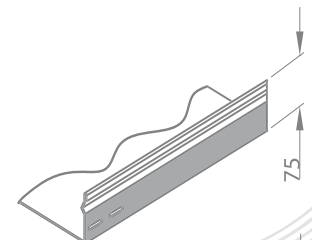
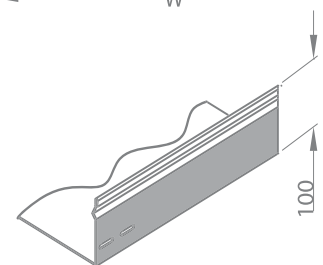


\*\*Thickness recommendation:

upto 30mm with T + 1.5mm

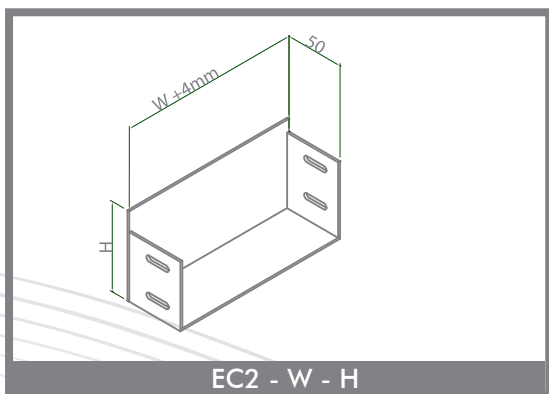
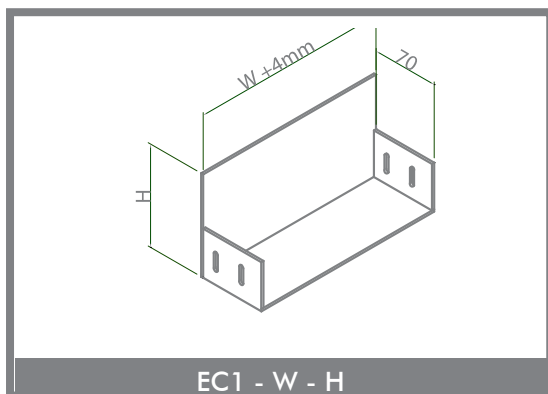
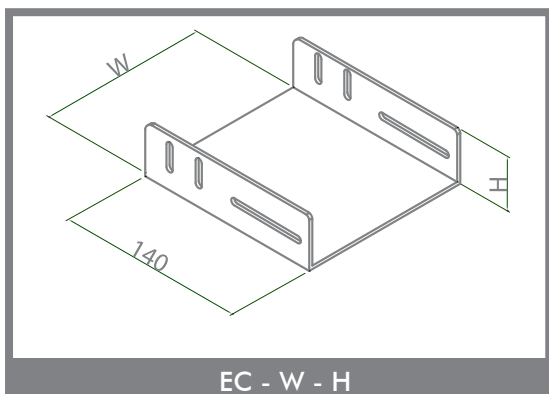
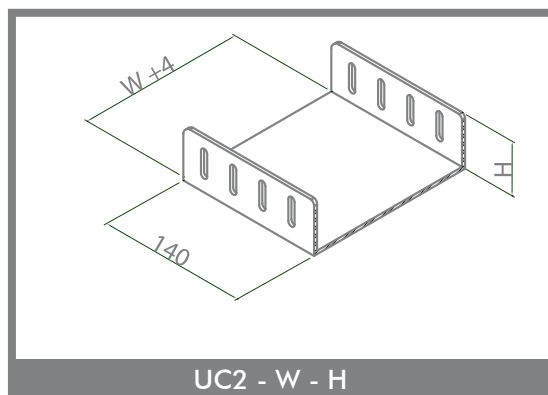
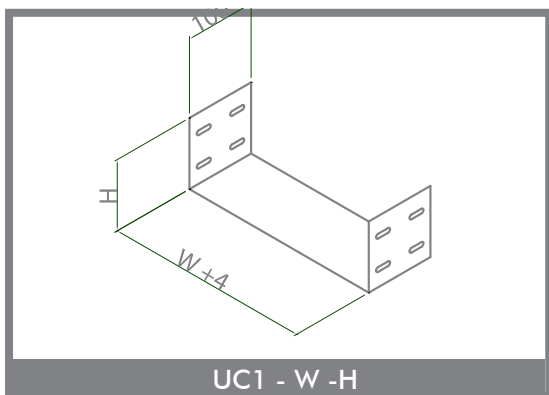
more than 300mm width T=2.0mm

HDG    HOT DIP GALVANIZED  
 GI      PRE GALVANIZED  
 AL      ALUMINIUM  
 P.C     POWDER COATED



# BAHRA CABLE MANAGEMENT SYSTEM

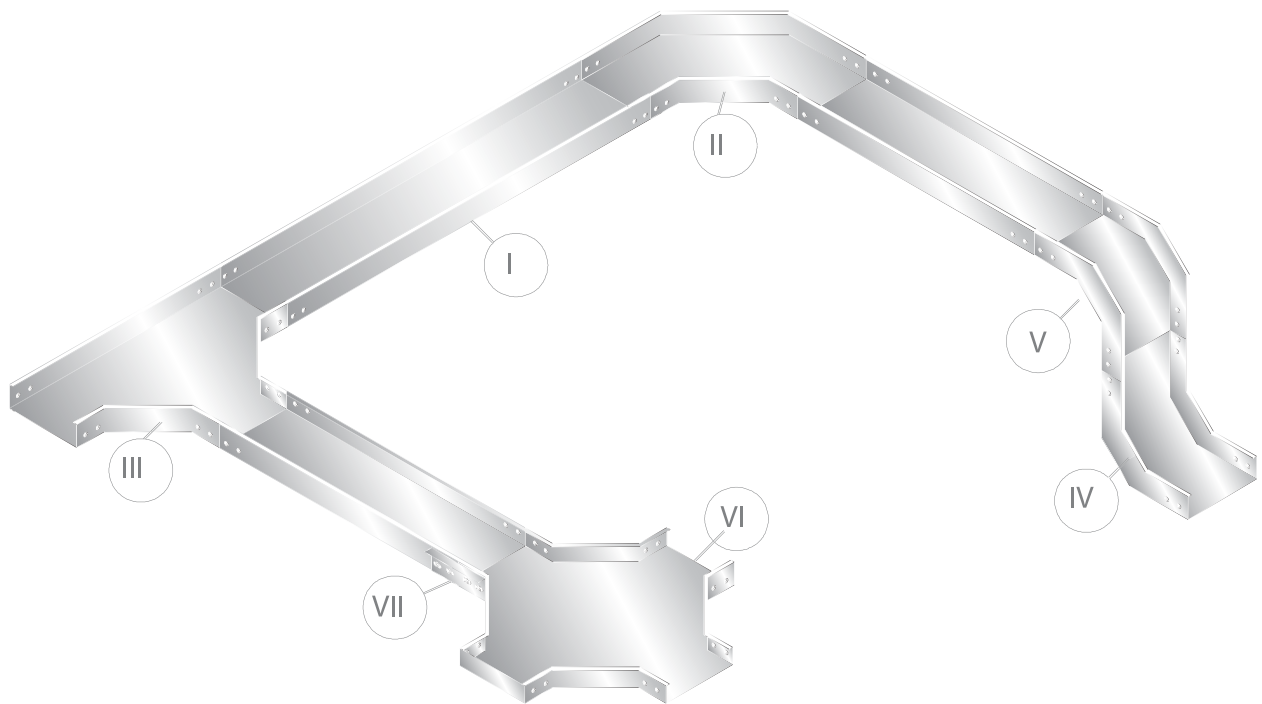
## CABLE TRUNK CONNECTORS



# BAHRA CABLE MANAGEMENT SYSTEM

WEATHER PROOF (WP)

---

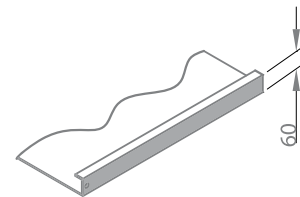
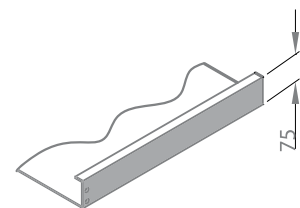
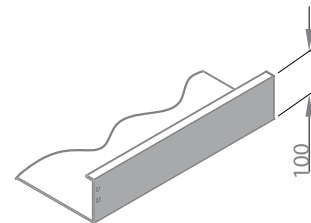
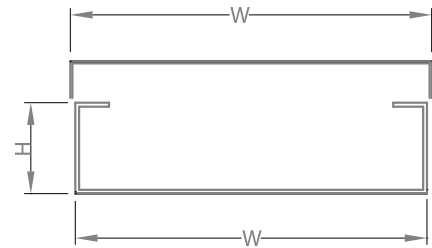
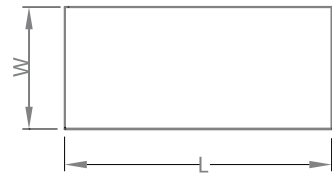
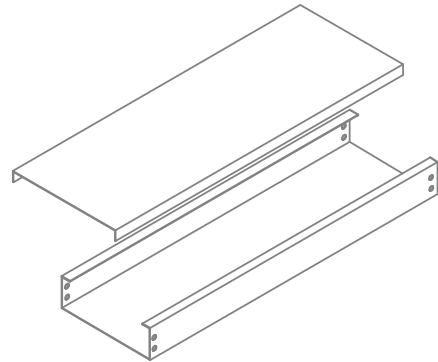


- I. CABLE TRAY STRAIGHT
- II. °90 ELBOW
- III. TEE
- IV °90 INSIDE RISER
- V °90 OUTSIDE RISER
- VI CROSS
- VII U-CONNECTOR (WP)

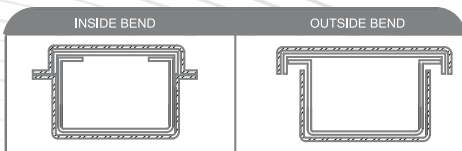
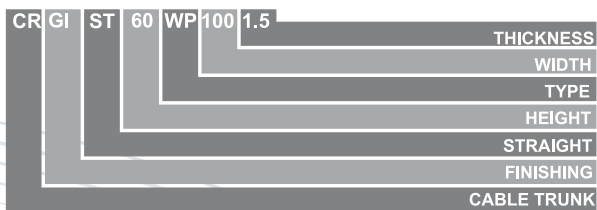
# BAHRA CABLE MANAGEMENT SYSTEM

## CABLE TRUNK STRAIGHT (W/P)

ITEM CODE *	TRAY TYPE	H (mm)	W(mm)	T**(mm)
CR GI ST 60 WP 100 1.5	WP	60	100	1.5
CR GI ST 60 WP 150 1.5	WP	60	150	1.5
CR GI ST 60 WP 300 1.5	WP	60	300	1.5
CR GI ST 60 WP 450 2.0	WP	60	450	2.0
CR GI ST 60 WP 600 2.0	WP	60	600	2.0
CR GI ST 60 WP 750 2.0	WP	60	750	2.0
CR GI ST 60 WP 900 2.0	WP	60	900	2.0
CR GI ST 75 WP 100 1.5	WP	75	100	1.5
CR GI ST 75 WP 150 1.5	WP	75	150	1.5
CR GI ST 75 WP 300 1.5	WP	75	300	1.5
CR GI ST 75 WP 450 2.0	WP	75	450	2.0
CR GI ST 75 WP 600 2.0	WP	75	600	2.0
CR GI ST 75 WP 750 2.0	WP	75	750	2.0
CR GI ST 75 WP 900 2.0	WP	75	900	2.0
CR GI ST 100 WP 100 1.5	WP	100	100	1.5
CR GI ST 100 WP 150 1.5	WP	100	150	1.5
CR GI ST 100 WP 300 1.5	WP	100	300	1.5
CR GI ST 100 WP 450 2.0	WP	100	450	2.0
CR GI ST 100 WP 600 2.0	WP	100	600	2.0
CR GI ST 100 WP 750 2.0	WP	100	750	2.0
CR GI ST 100 WP 900 2.0	WP	100	900	2.0



### \* Code Detail



\*\*Thickness recommendation:

upto 30mm with T + 1.5mm

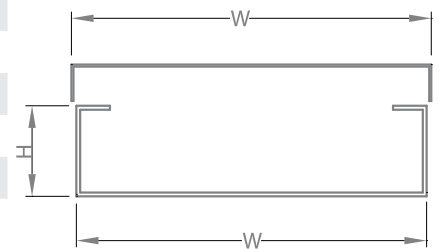
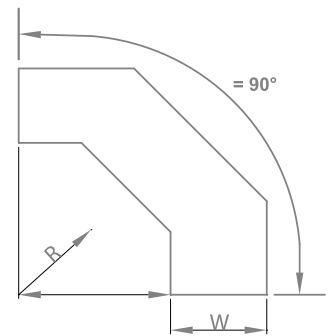
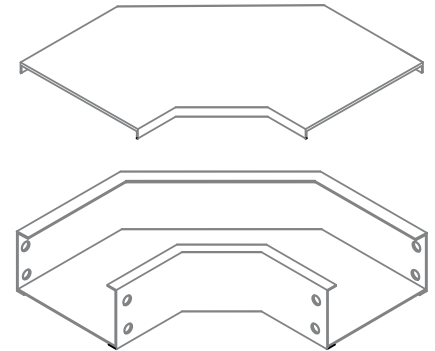
more than 300mm width T=2.0mm

HDG	HOT DIP GALVANIZED
GI	PRE GALVANIZED
AL	ALUMINIUM
P.C	POWDER COATED

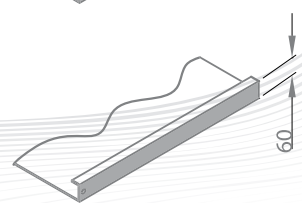
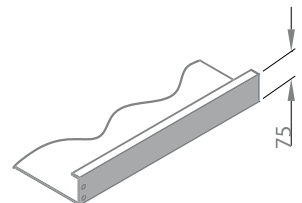
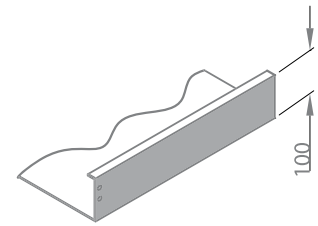
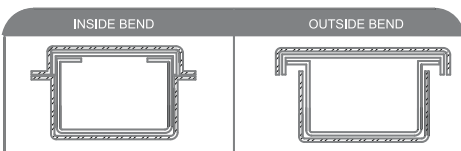
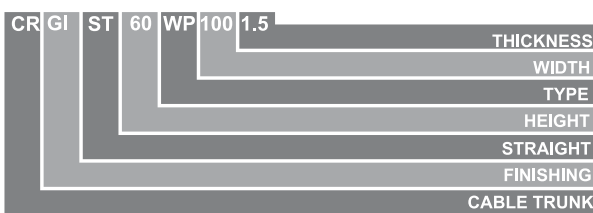
# BAHRA CABLE MANAGEMENT SYSTEM

## CABLE TRUNK ELBOW 90° (W/P)

ITEM CODE *	TRAY TYPE	H (mm)	W(mm)	T**(mm)
CR GI 90E 60 WP 100 1.5	WP	60	100	1.5
CR GI 90E 60 WP 150 1.5	WP	60	150	1.5
CR GI 90E 60 WP 300 1.5	WP	60	300	1.5
CR GI 90E 60 WP 450 2.0	WP	60	450	2.0
CR GI 90E 60 WP 600 2.0	WP	60	600	2.0
CR GI 90E 60 WP 750 2.0	WP	60	750	2.0
CR GI 90E 60 WP 900 2.0	WP	60	900	2.0
CR GI 90E 75 WP 100 1.5	WP	75	100	1.5
CR GI 90E 75 WP 150 1.5	WP	75	150	1.5
CR GI 90E 75 WP 300 1.5	WP	75	300	1.5
CR GI 90E 75 WP 450 2.0	WP	75	450	2.0
CR GI 90E 75 WP 600 2.0	WP	75	600	2.0
CR GI 90E 75 WP 750 2.0	WP	75	750	2.0
CR GI 90E 75 WP 900 2.0	WP	75	900	2.0
CR GI 90E 100 WP 100 1.5	WP	100	100	1.5
CR GI 90E 100 WP 150 1.5	WP	100	150	1.5
CR GI 90E 100 WP 300 1.5	WP	100	300	1.5
CR GI 90E 100 WP 450 2.0	WP	100	450	2.0
CR GI 90E 100 WP 600 2.0	WP	100	600	2.0
CR GI 90E 100 WP 750 2.0	WP	100	750	2.0
CR GI 90E 100 WP 900 2.0	WP	100	900	2.0



### \* Code Detail



\*\*Thickness recommendation:

upto 30mm with T + 1.5mm

more than 300mm width T=2.0mm

HDG HOT DIP GALVANIZED

GI PRE GALVANIZED

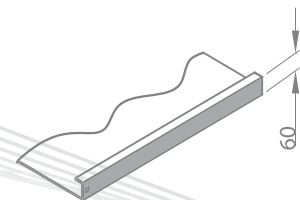
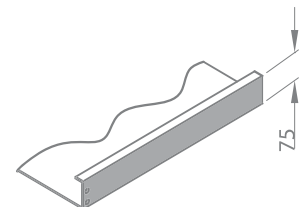
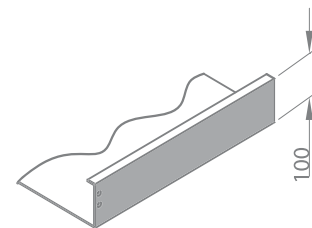
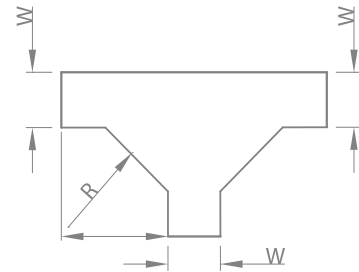
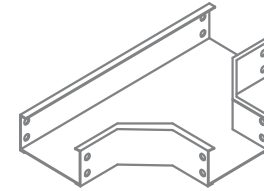
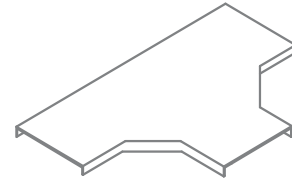
AL ALUMINIUM

P.C POWDER COATED

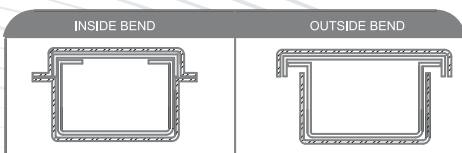
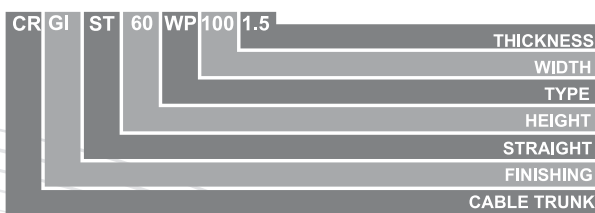
# BAHRA CABLE MANAGEMENT SYSTEM

## CABLE TRUNK TEE (W/P)

ITEM CODE *	TRAY TYPE	H (mm)	W(mm)	T**(mm)
CR GI T 60 WP 100 1.5	WP	60	100	1.5
CR GI T 60 WP 150 1.5	WP	60	150	1.5
CR GI T 60 WP 300 1.5	WP	60	300	1.5
CR GI T 60 WP 450 2.0	WP	60	450	2.0
CR GI T 60 WP 600 2.0	WP	60	600	2.0
CR GI T 60 WP 750 2.0	WP	60	750	2.0
CR GI T 60 WP 900 2.0	WP	60	900	2.0
CR GI T 75 WP 100 1.5	WP	75	100	1.5
CR GI T 75 WP 150 1.5	WP	75	150	1.5
CR GI T 75 WP 300 1.5	WP	75	300	1.5
CR GI T 75 WP 450 2.0	WP	75	450	2.0
CR GI T 75 WP 600 2.0	WP	75	600	2.0
CR GI T 75 WP 750 2.0	WP	75	750	2.0
CR GI T 75 WP 900 2.0	WP	75	900	2.0
CR GI T 100 WP 100 1.5	WP	100	100	1.5
CR GI T 100 WP 150 1.5	WP	100	150	1.5
CR GI T 100 WP 300 1.5	WP	100	300	1.5
CR GI T 100 WP 450 2.0	WP	100	450	2.0
CR GI T 100 WP 600 2.0	WP	100	600	2.0
CR GI T 100 WP 750 2.0	WP	100	750	2.0
CR GI T 100 WP 900 2.0	WP	100	900	2.0



### \* Code Detail



\*\*Thickness recommendation:

upto 30mm with T + 1.5mm

more than 300mm width T=2.0mm

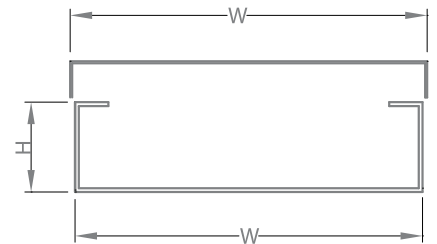
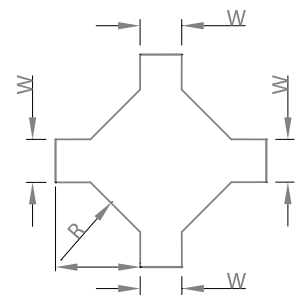
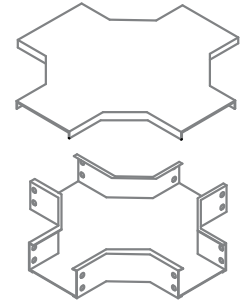
HDG	HOT DIP GALVANIZED
GI	PRE GALVANIZED
AL	ALUMINIUM
P.C	POWDER COATED



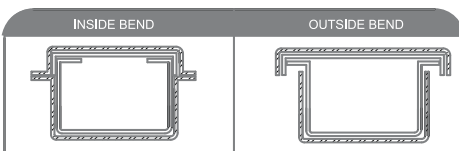
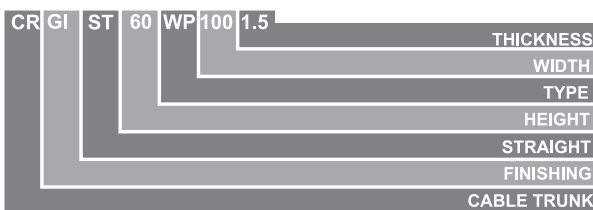
# BAHRA CABLE MANAGEMENT SYSTEM

## CABLE TRUNK CROSS (W/P)

ITEM CODE *	TRAY TYPE	H (mm)	W(mm)	T**(mm)
CR GI C 60 WP 100 1.5	WP	60	100	1.5
CR GI C 60 WP 150 1.5	WP	60	150	1.5
CR GI C 60 WP 300 1.5	WP	60	300	1.5
CR GI C 60 WP 450 2.0	WP	60	450	2.0
CR GI C 60 WP 600 2.0	WP	60	600	2.0
CR GI C 60 WP 75 02.0	WP	60	750	2.0
CR GI C 60 WP 900 2.0	WP	60	900	2.0
CR GI C 75 WP 100 1.5	WP	75	100	1.5
CR GI C 75 WP 150 1.5	WP	75	150	1.5
CR GI C 75 WP 300 1.5	WP	75	300	1.5
CR GI C 75 WP 450 2.0	WP	75	450	2.0
CR GI C 75 WP 600 2.0	WP	75	600	2.0
CR GI C 75 WP 750 2.0	WP	75	750	2.0
CR GI C 75 WP 900 2.0	WP	75	900	2.0
CR GI C 100 WP 100 1.5	WP	100	100	1.5
CR GI C 100 WP 150 1.5	WP	100	150	1.5
CR GI C 100 WP 300 1.5	WP	100	300	1.5
CR GI C 100 WP 450 2.0	WP	100	450	2.0
CR GI C 100 WP 600 2.0	WP	100	600	2.0
CR GI C 100 WP 750 2.0	WP	100	750	2.0
CR GI C 100 WP 900 2.0	WP	100	900	2.0

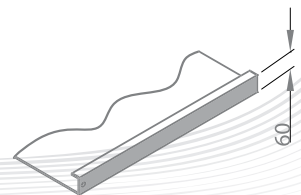
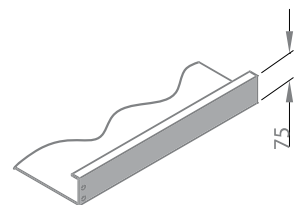
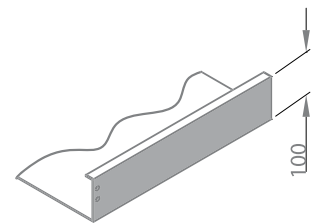


### \* Code Detail



\*\*Thickness recommendation:  
 upto 30mm with T + 1.5mm  
 more than 300mm width T=2.0mm

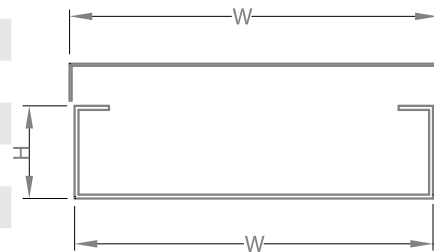
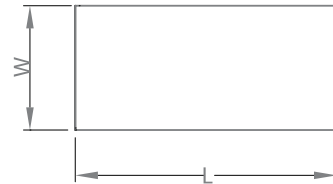
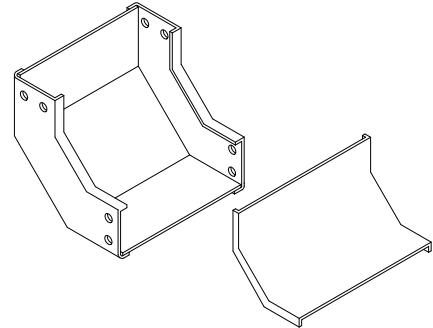
HDG HOT DIP GALVANIZED  
 GI PRE GALVANIZED  
 AL ALUMINIUM  
 P.C POWDER COATED



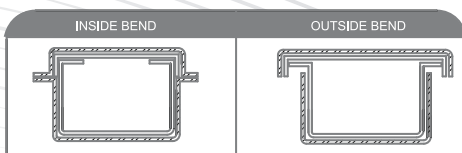
# BAHRA CABLE MANAGEMENT SYSTEM

## CABLE TRUNK INSIDE RISER (W/P)

ITEM CODE *	TRAY TYPE	H (mm)	W(mm)	T**(mm)
CR GI IR 60 WP 100 1.5	WP	60	100	1.5
CR GI IR 60 WP 150 1.5	WP	60	150	1.5
CR GI IR 60 WP 300 1.5	WP	60	300	1.5
CR GI IR 60 WP 450 2.0	WP	60	450	2.0
CR GI IR 60 WP 600 2.0	WP	60	600	2.0
CR GI IR 60 WP 75 02.0	WP	60	750	2.0
CR GI IR 60 WP 900 2.0	WP	60	900	2.0
CR GI IR 75 WP 100 1.5	WP	75	100	1.5
CR GI IR 75 WP 150 1.5	WP	75	150	1.5
CR GI IR 75 WP 300 1.5	WP	75	300	1.5
CR GI IR 75 WP 450 2.0	WP	75	450	2.0
CR GI IR 75 WP 600 2.0	WP	75	600	2.0
CR GI IR 75 WP 750 2.0	WP	75	750	2.0
CR GI IR 75 WP 900 2.0	WP	75	900	2.0
CR GI IR 100 WP 100 1.5	WP	100	100	1.5
CR GI IR 100 WP 150 1.5	WP	100	150	1.5
CR GI IR 100 WP 300 1.5	WP	100	300	1.5
CR GI IR 100 WP 450 2.0	WP	100	450	2.0
CR GI IR 100 WP 600 2.0	WP	100	600	2.0
CR GI IR 100 WP 750 2.0	WP	100	750	2.0
CR GI IR 100 WP 900 2.0	WP	100	900	2.0



### \* Code Detail

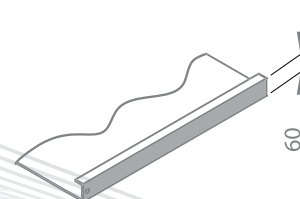
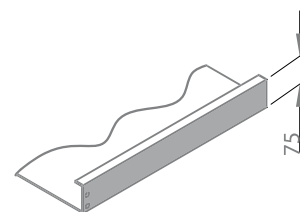
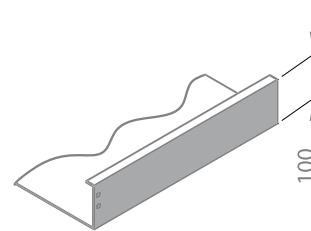


\*\*Thickness recommendation:

upto 30mm with T + 1.5mm

more than 300mm width T=2.0mm

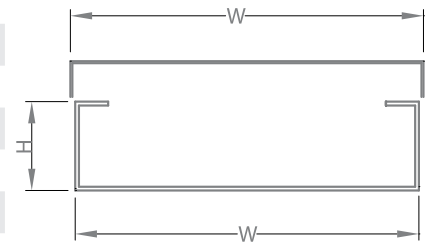
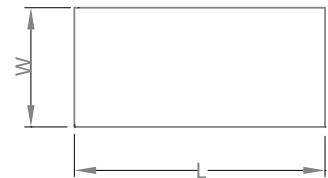
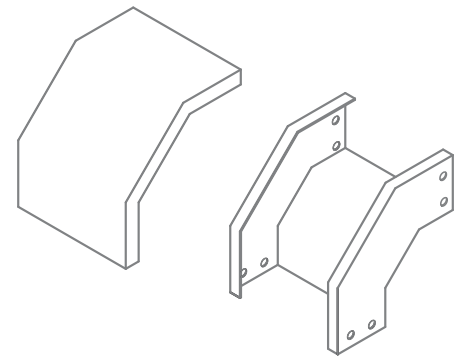
HDG	HOT DIP GALVANIZED
GI	PRE GALVANIZED
AL	ALUMINIUM
P.C	POWDER COATED



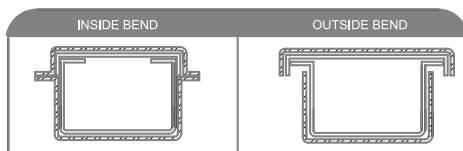
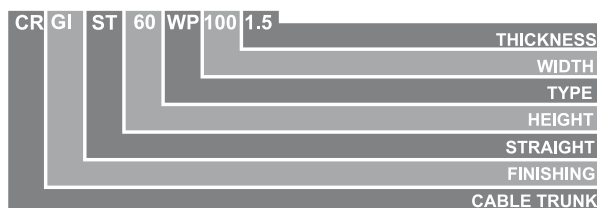
# BAHRA CABLE MANAGEMENT SYSTEM

## CABLE TRUNK OUTSIDE RISER (W/P)

ITEM CODE *	TRAY TYPE	H (mm)	W(mm)	T**(mm)
OR GI OR 60 WP 100 1.5	WP	60	100	1.5
OR GI OR 60 WP 150 1.5	WP	60	150	1.5
OR GI OR 60 WP 300 1.5	WP	60	300	1.5
OR GI OR 60 WP 450 2.0	WP	60	450	2.0
OR GI OR 60 WP 600 2.0	WP	60	600	2.0
OR GI OR 60 WP 750 2.0	WP	60	750	2.0
OR GI OR 60 WP 900 2.0	WP	60	900	2.0
OR GI OR 75 WP 100 1.5	WP	75	100	1.5
OR GI OR 75 WP 150 1.5	WP	75	150	1.5
OR GI OR 75 WP 300 1.5	WP	75	300	1.5
OR GI OR 75 WP 450 2.0	WP	75	450	2.0
OR GI OR 75 WP 600 2.0	WP	75	600	2.0
OR GI OR 75 WP 750 2.0	WP	75	750	2.0
OR GI OR 75 WP 900 2.0	WP	75	900	2.0
OR GI OR 100 WP 100 1.5	WP	100	100	1.5
OR GI OR 100 WP 150 1.5	WP	100	150	1.5
OR GI OR 100 WP 300 1.5	WP	100	300	1.5
OR GI OR 100 WP 450 2.0	WP	100	450	2.0
OR GI OR 100 WP 600 2.0	WP	100	600	2.0
OR GI OR 100 WP 750 2.0	WP	100	750	2.0
OR GI OR 100 WP 900 2.0	WP	100	900	2.0



### \* Code Detail

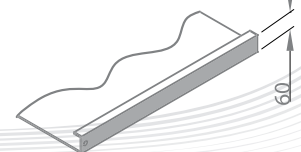
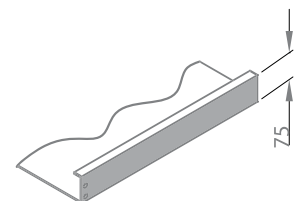
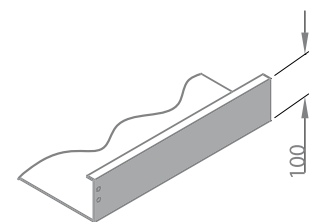


\*\*Thickness recommendation:

upto 30mm with T + 1.5mm

more than 300mm width T=2.0mm

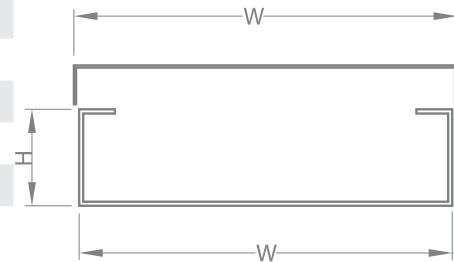
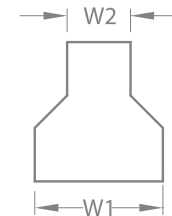
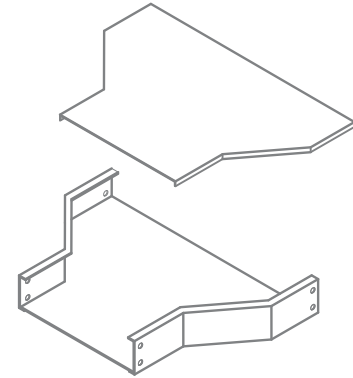
HDG	HOT DIP GALVANIZED
GI	PRE GALVANIZED
AL	ALUMINIUM
P.C	POWDER COATED



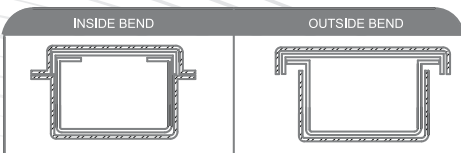
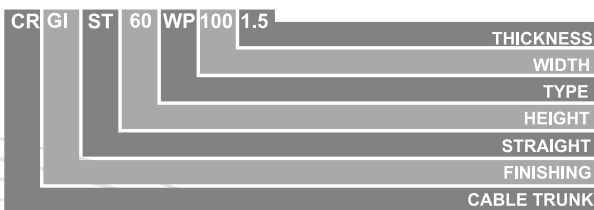
# BAHRA CABLE MANAGEMENT SYSTEM

## CABLE TRUNK ST - REDUCER (W/P)

ITEM CODE *	TRAY TYPE	H (mm)	W(mm)	T**(mm)
OR GI SR 60 WP 100 1.5	WP	60	100	1.5
OR GI SR 60 WP 150 1.5	WP	60	150	1.5
OR GI SR 60 WP 300 1.5	WP	60	300	1.5
OR GI SR 60 WP 450 2.0	WP	60	450	2.0
OR GI SR 60 WP 600 2.0	WP	60	600	2.0
OR GI SR 60 WP 750 2.0	WP	60	750	2.0
OR GI SR 60 WP 900 2.0	WP	60	900	2.0
OR GI SR 75 WP 100 1.5	WP	75	100	1.5
OR GI SR 75 WP 150 1.5	WP	75	150	1.5
OR GI SR 75 WP 300 1.5	WP	75	300	1.5
OR GI SR 75 WP 450 2.0	WP	75	450	2.0
OR GI SR 75 WP 600 2.0	WP	75	600	2.0
OR GI SR 75 WP 750 2.0	WP	75	750	2.0
OR GI SR 75 WP 900 2.0	WP	75	900	2.0
OR GI SR 100 WP 100 1.5	WP	100	100	1.5
OR GI SR 100 WP 150 1.5	WP	100	150	1.5
OR GI SR 100 WP 300 1.5	WP	100	300	1.5
OR GI SR 100 WP 450 2.0	WP	100	450	2.0
OR GI SR 100 WP 600 2.0	WP	100	600	2.0
OR GI SR 100 WP 750 2.0	WP	100	750	2.0
OR GI SR 100 WP 900 2.0	WP	100	900	2.0

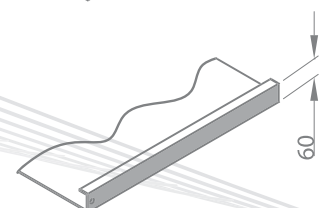
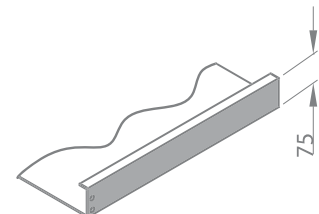
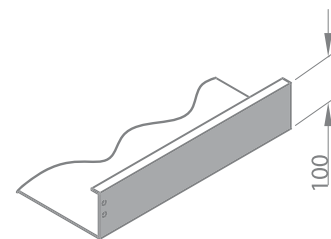


### \* Code Detail



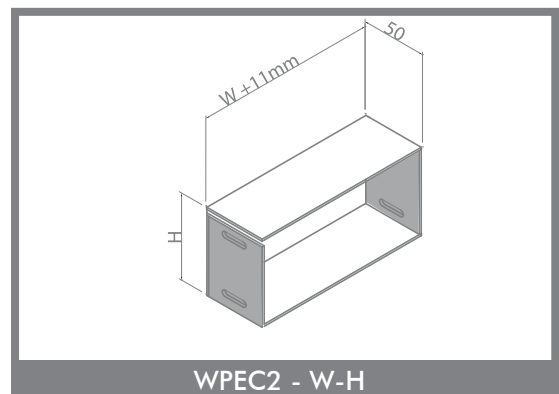
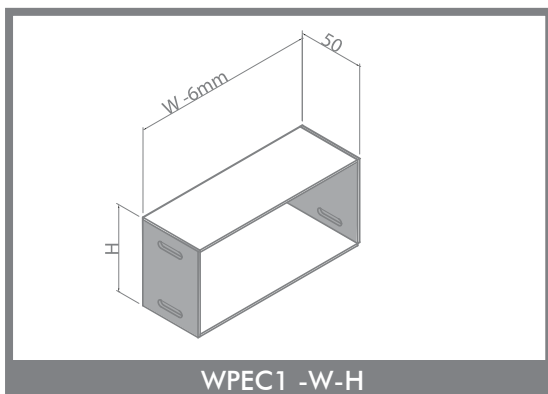
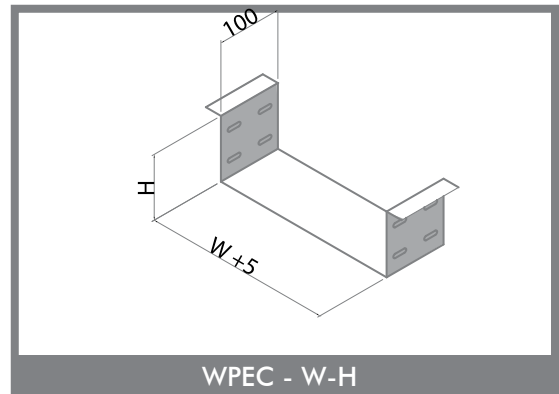
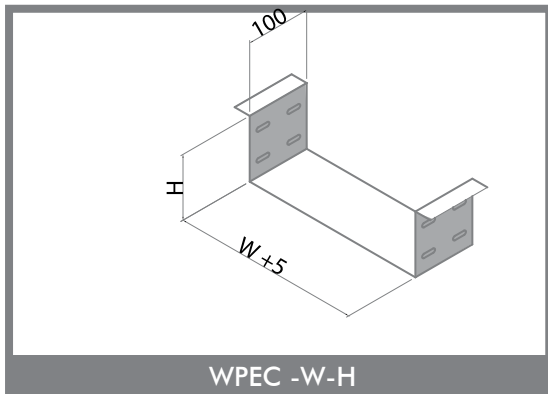
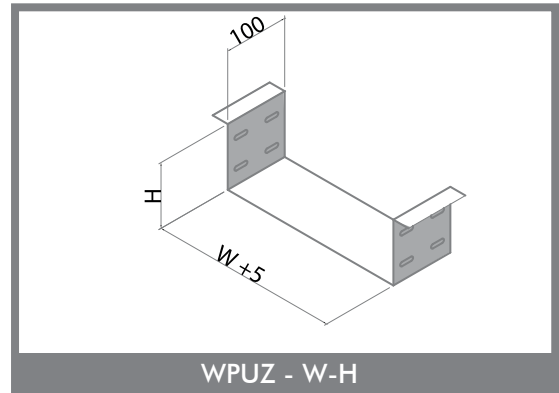
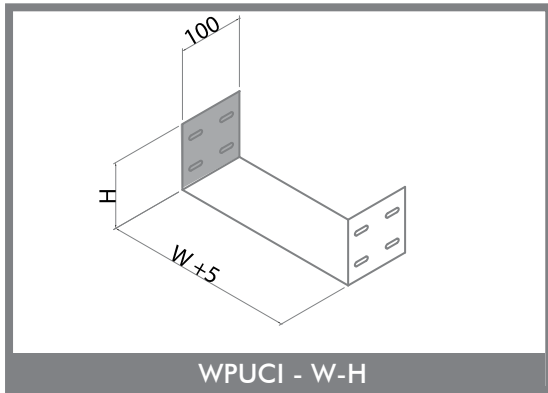
\*\*Thickness recommendation:

upto 30mm with T + 1.5mm	HDG	HOT DIP GALVANIZED
more than 300mm width T=2.0mm	GI	PRE GALVANIZED
	AL	ALUMINIUM
	P.C	POWDER COATED



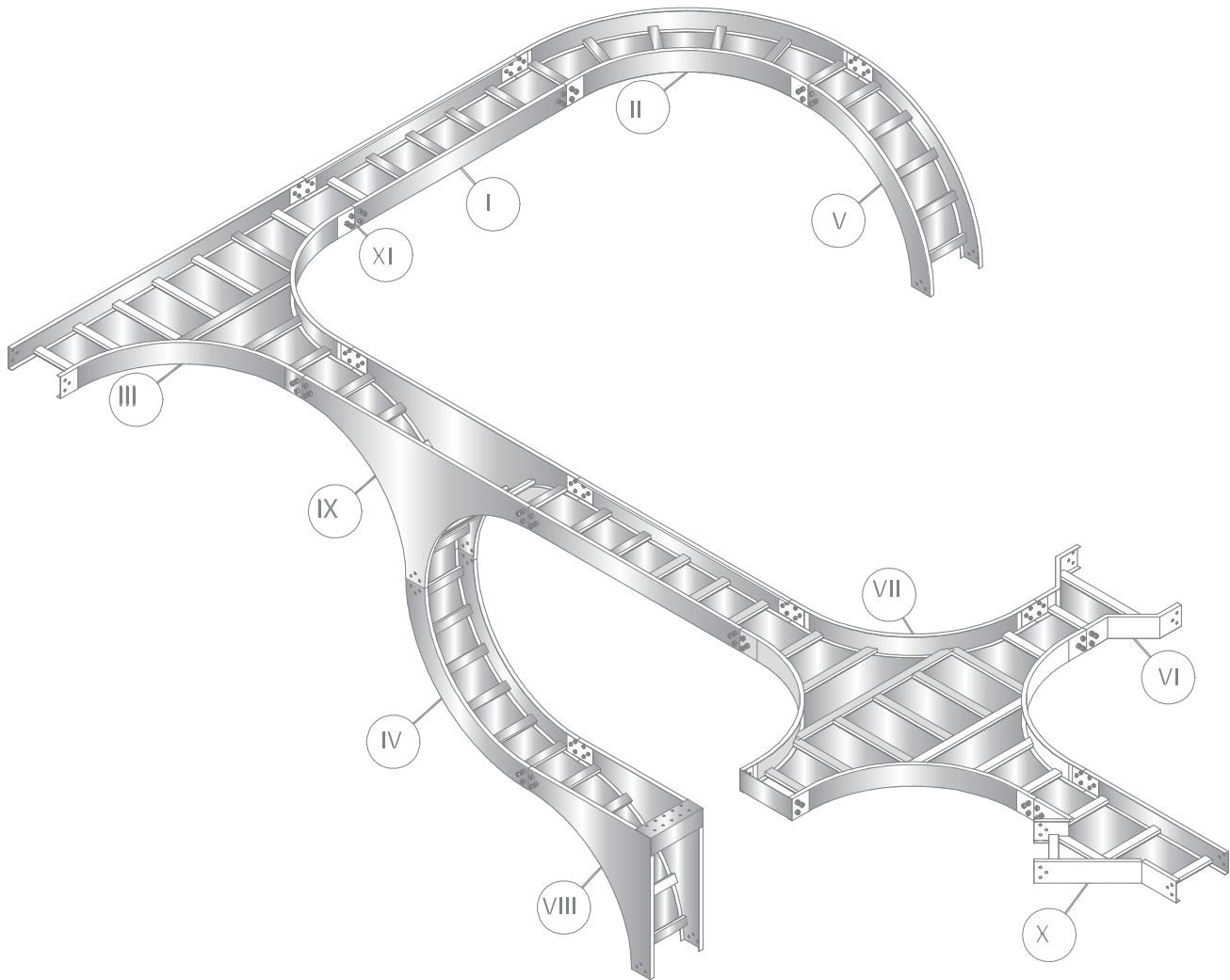
# BAHRA CABLE MANAGEMENT SYSTEM

## CABLE TRUNK ACCESSORIES



# BAHRA CABLE MANAGEMENT SYSTEM

## CABLE LADDER

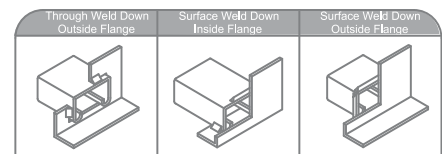
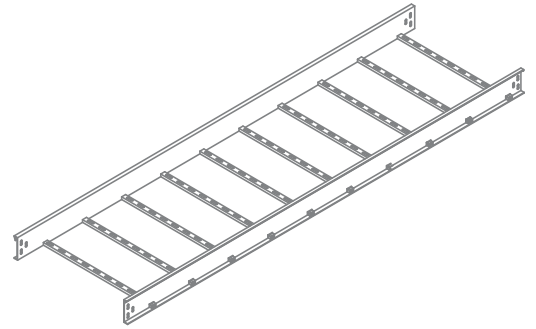


- I CABLE TRAY STRAIGHT
- II °90 ELBOW
- III TEE
- IV °90 INSIDE RISER
- V °90 OUTSIDR RISER
- VI STRAIGHT REDUCER
- VII U-CONNECTOR (WP)
- VII CROSS TEE
- VIII °90 VERTICAL CABLE SUPPORT ELBOW
- IX VERTICAL TEE
- X Y BRANCH
- XI STRAIGHT CONNECTOR

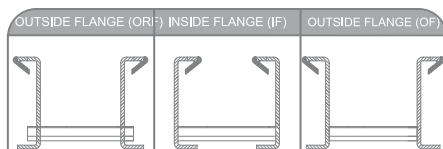
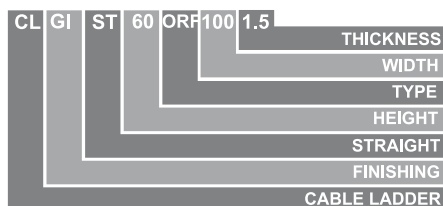
# BAHRA CABLE MANAGEMENT SYSTEM

## CABLE LADDER STRAIGHT

ITEM CODE *	TRAY TYPE	H (mm)	W(mm)	T**(mm)
CL GI ST 110 ORF 100 2.0	ORF	110	100	2.0
CL GI ST 110 ORF 150 2.0	ORF	110	150	2.0
CL GI ST 110 ORF 300 2.0	ORF	110	300	2.0
CL GI ST 110 ORF 450 2.0	ORF	110	450	2.0
CL GI ST 110 ORF 600 2.0	ORF	110	600	2.0
CL GI ST 110 ORF 75 02.0	ORF	110	750	2.0
CL GI ST 110 ORF 900 2.0	ORF	110	900	2.0
CL GI ST 127 ORF 100 2.0	ORF	127	100	2.0
CL GI ST 127 ORF 150 2.0	ORF	127	150	2.0
CL GI ST 127 ORF 300 2.0	ORF	127	300	2.0
CL GI ST 127 ORF 450 2.0	ORF	127	450	2.0
CL GI ST 127 ORF 600 2.0	ORF	127	600	2.0
CL GI ST 127 ORF 750 2.0	ORF	127	750	2.0
CL GI ST 127 ORF 900 2.0	ORF	127	900	2.0
CL GI ST 137 ORF 100 1.5	ORF	137	100	2.0
CL GI ST 137 ORF 150 1.5	ORF	137	150	2.0
CL GI ST 137 ORF 300 1.5	ORF	137	300	2.0
CL GI ST 137 ORF 450 2.0	ORF	137	450	2.0
CL GI ST 137 ORF 600 2.0	ORF	137	600	2.0
CL GI ST 137 ORF 750 2.0	ORF	137	750	2.0
CL GI ST 137 ORF 900 2.0	ORF	137	900	2.0
CL GI ST 150 ORF 100 1.5	ORF	150	100	2.0
CL GI ST 150 ORF 150 1.5	ORF	150	150	2.0
CL GI ST 150 ORF 300 1.5	ORF	150	300	2.0
CL GI ST 150 ORF 450 2.0	ORF	150	450	2.0
CL GI ST 150 ORF 600 2.0	ORF	150	600	2.0
CL GI ST 150 ORF 750 2.0	ORF	150	750	2.0
CL GI ST 150 ORF 900 2.0	ORF	150	900	2.0



### CODE DETAIL



\*\*C - CHANNELS SIZES: 41X21mm & 50x25mm

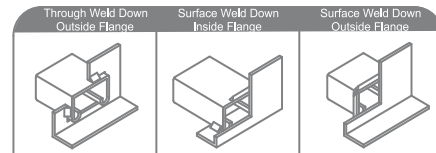
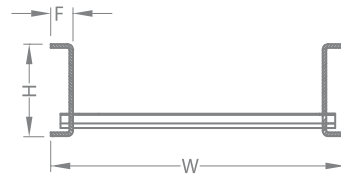
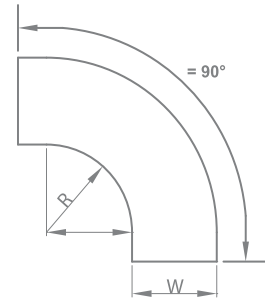
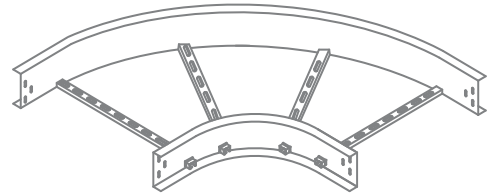
\* Flange (F) = 21 or 32

HDG HOT DIP GALVANIZED  
 GI PRE GALVANIZED  
 AL ALUMINIUM  
 P.C POWDER COATED

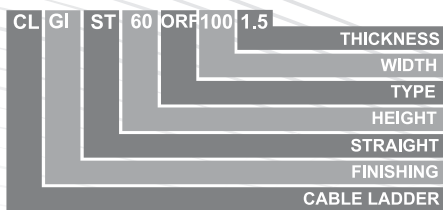
# BAHRA CABLE MANAGEMENT SYSTEM

## CABLE LADDER ELBOW 90°

ITEM CODE *	TRAY TYPE	H (mm)	W(mm)	T**(mm)
CL GI 90E 110 ORF 100 2.0	ORF	110	100	2.0
CL GI 90E 110 ORF 150 2.0	ORF	110	150	2.0
CL GI 90E 110 ORF 300 2.0	ORF	110	300	2.0
CL GI 90E 110 ORF 450 2.0	ORF	110	450	2.0
CL GI 90E 110 ORF 600 2.0	ORF	110	600	2.0
CL GI 90E 110 ORF 750 2.0	ORF	110	750	2.0
CL GI 90E 110 ORF 900 2.0	ORF	110	900	2.0
CL GI 90E 127 ORF 100 2.0	ORF	127	100	2.0
CL GI 90E 127 ORF 150 2.0	ORF	127	150	2.0
CL GI 90E 127 ORF 300 2.0	ORF	127	300	2.0
CL GI 90E 127 ORF 450 2.0	ORF	127	450	2.0
CL GI 90E 127 ORF 600 2.0	ORF	127	600	2.0
CL GI 90E 127 ORF 750 2.0	ORF	127	750	2.0
CL GI 90E 127 ORF 900 2.0	ORF	127	900	2.0
CL GI 90E 137 ORF 100 1.5	ORF	137	100	2.0
CL GI 90E 137 ORF 150 1.5	ORF	137	150	2.0
CL GI 90E 137 ORF 300 1.5	ORF	137	300	2.0
CL GI 90E 137 ORF 450 2.0	ORF	137	450	2.0
CL GI 90E 137 ORF 600 2.0	ORF	137	600	2.0
CL GI 90E 137 ORF 750 2.0	ORF	137	750	2.0
CL GI 90E 137 ORF 900 2.0	ORF	137	900	2.0
CL GI 90E 150 ORF 100 1.5	ORF	150	100	2.0
CL GI 90E 150 ORF 150 1.5	ORF	150	150	2.0
CL GI 90E 150 ORF 300 1.5	ORF	150	300	2.0
CL GI 90E 150 ORF 450 2.0	ORF	150	450	2.0
CL GI 90E 150 ORF 600 2.0	ORF	150	600	2.0
CL GI 90E 150 ORF 750 2.0	ORF	150	750	2.0
CL GI 90E 150 ORF 900 2.0	ORF	150	900	2.0



### \* Code Detail



\*\*C - CHANNELS SIZES: 41X21mm & 50x25mm

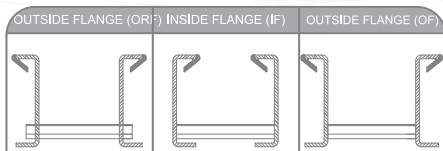
\* Flange (F) = 21 or 32

HDG HOT DIP GALVANIZED

GI PRE GALVANIZED

AL ALUMINIUM

P.C POWDER COATED

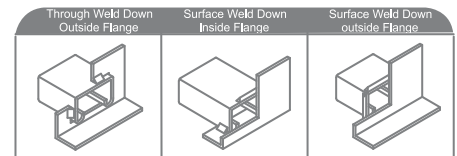
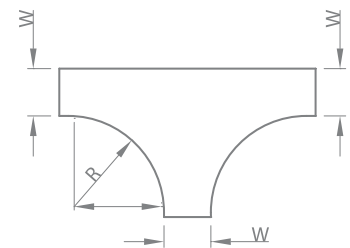
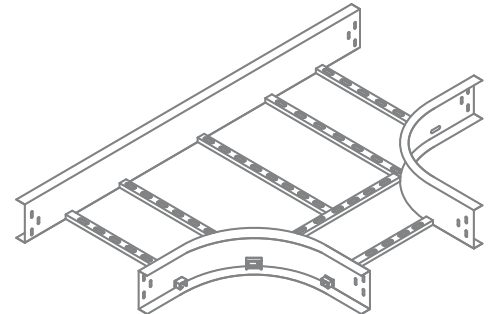




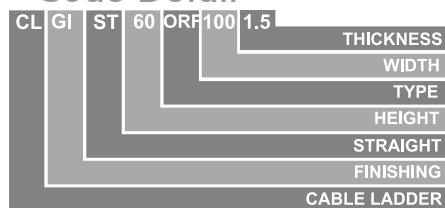
# BAHRA CABLE MANAGEMENT SYSTEM

## CABLE LADDER TEE

ITEM CODE *	TRAY TYPE	H (mm)	W(mm)	T**(mm)
CL GI T 110 ORF 100 2.0	ORF	110	100	2.0
CL GI T 110 ORF 150 2.0	ORF	110	150	2.0
CL GI T 110 ORF 300 2.0	ORF	110	300	2.0
CL GI T 110 ORF 450 2.0	ORF	110	450	2.0
CL GI T 110 ORF 600 2.0	ORF	110	600	2.0
CL GI T 110 ORF 750 2.0	ORF	110	750	2.0
CL GI T 110 ORF 900 2.0	ORF	110	900	2.0
CL GI T 127 ORF 100 2.0	ORF	127	100	2.0
CL GI T 127 ORF 150 2.0	ORF	127	150	2.0
CL GI T 127 ORF 300 2.0	ORF	127	300	2.0
CL GI T 127 ORF 450 2.0	ORF	127	450	2.0
CL GI T 127 ORF 600 2.0	ORF	127	600	2.0
CL GI T 127 ORF 750 2.0	ORF	127	750	2.0
CL GI T 127 ORF 900 2.0	ORF	127	900	2.0
CL GI T 137 ORF 100 1.5	ORF	137	100	2.0
CL GI 90E 137 ORF 150 1.5	ORF	137	150	2.0
CL GI 90E 137 ORF 300 1.5	ORF	137	300	2.0
CL GI 90E 137 ORF 450 2.0	ORF	137	450	2.0
CL GI 90E 137 ORF 600 2.0	ORF	137	600	2.0
CL GI 90E 137 ORF 750 2.0	ORF	137	750	2.0
CL GI 90E 137 ORF 900 2.0	ORF	137	900	2.0
CL GI 90E 150 ORF 100 1.5	ORF	150	100	2.0
CL GI 90E 150 ORF 150 1.5	ORF	150	150	2.0
CL GI 90E 150 ORF 300 1.5	ORF	150	300	2.0
CL GI 90E 150 ORF 450 2.0	ORF	150	450	2.0
CL GI 90E 150 ORF 600 2.0	ORF	150	600	2.0
CL GI 90E 150 ORF 750 2.0	ORF	150	750	2.0
CL GI 90E 150 ORF 900 2.0	ORF	150	900	2.0

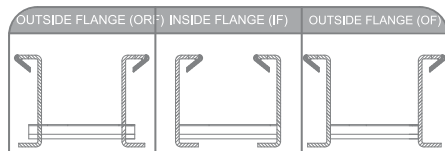


### \* Code Detail



\*\*C - CHANNELS SIZES: 41x21mm & 50x25mm

\* Flange (F) = 21 or 32

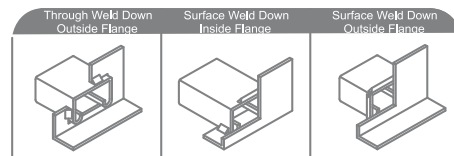
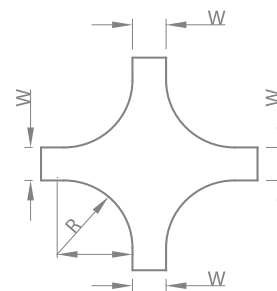
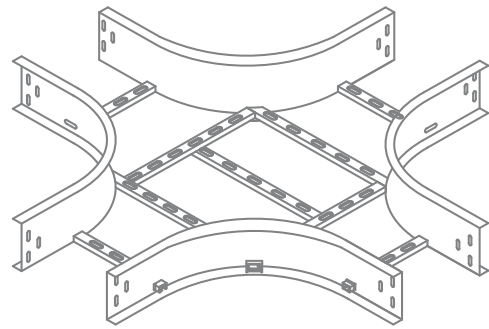


- HDG - HOT DIP GALVANIZED
- GI - PRE GALVANIZED
- AL - ALUMINIUM
- P.C - POWDER COATED

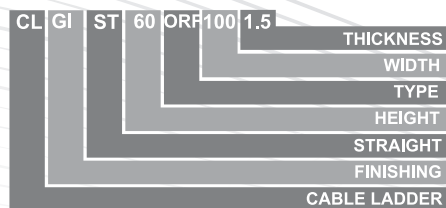
# BAHRA CABLE MANAGEMENT SYSTEM

## CABLE LADDER CROSS

ITEM CODE *	TRAY TYPE	H (mm)	W(mm)	T**(mm)
CL GI C 110 ORF 100 2.0	ORF	110	100	2.0
CL GI C 110 ORF 150 2.0	ORF	110	150	2.0
CL GI C 110 ORF 300 2.0	ORF	110	300	2.0
CL GI C 110 ORF 450 2.0	ORF	110	450	2.0
CL GI C 110 ORF 600 2.0	ORF	110	600	2.0
CL GI C 110 ORF 750 2.0	ORF	110	750	2.0
CL GI C 110 ORF 900 2.0	ORF	110	900	2.0
CL GI C 127 ORF 100 2.0	ORF	127	100	2.0
CL GI C 127 ORF 150 2.0	ORF	127	150	2.0
CL GI C 127 ORF 300 2.0	ORF	127	300	2.0
CL GI C 127 ORF 450 2.0	ORF	127	450	2.0
CL GI C 127 ORF 600 2.0	ORF	127	600	2.0
CL GI C 127 ORF 750 2.0	ORF	127	750	2.0
CL GI C 127 ORF 900 2.0	ORF	127	900	2.0
CL GI C 137 ORF 100 1.5	ORF	137	100	2.0
CL GI C 137 ORF 150 1.5	ORF	137	150	2.0
CL GI C 137 ORF 300 1.5	ORF	137	300	2.0
CL GI C 137 ORF 450 2.0	ORF	137	450	2.0
CL GI C 137 ORF 600 2.0	ORF	137	600	2.0
CL GI C 137 ORF 750 2.0	ORF	137	750	2.0
CL GI C 137 ORF 900 2.0	ORF	137	900	2.0
CL GI C 150 ORF 100 1.5	ORF	150	100	2.0
CL GI C 150 ORF 150 1.5	ORF	150	150	2.0
CL GI C 150 ORF 300 1.5	ORF	150	300	2.0
CL GI C 150 ORF 450 2.0	ORF	150	450	2.0
CL GI C 150 ORF 600 2.0	ORF	150	600	2.0
CL GI C 150 ORF 750 2.0	ORF	150	750	2.0
CL GI C 150 ORF 900 2.0	ORF	150	900	2.0

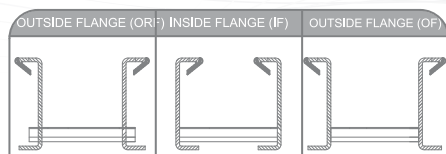


### \* Code Detail



\*\*C - CHANNELS SIZES: 41X21mm & 50x25mm

\* Flange (F) = 21 or 32

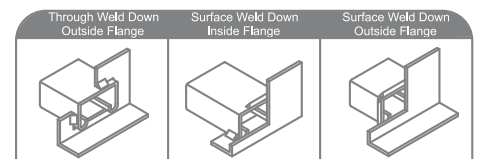
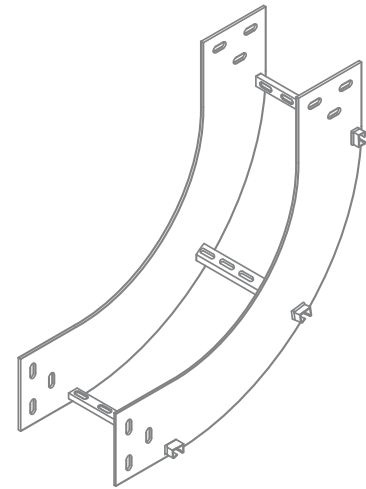


HDG HOT DIP GALVANIZED  
 GI PRE GALVANIZED  
 AL ALUMINIUM  
 P.C POWDER COATED

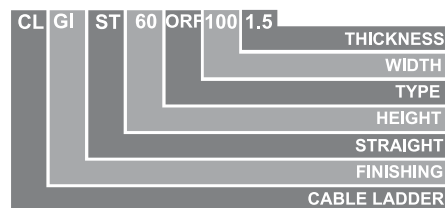
# BAHRA CABLE MANAGEMENT SYSTEM

## CABLE LADDER INSIDE RISER

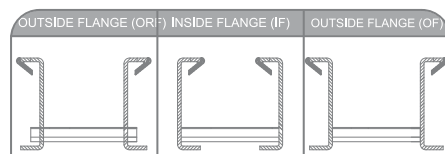
ITEM CODE *	TRAY TYPE	H (mm)	W(mm)	T**(mm)
CL GI IR 110 ORF 100 2.0	ORF	110	100	2.0
CL GI IR 110 ORF 150 2.0	ORF	110	150	2.0
CL GI IR 110 ORF 300 2.0	ORF	110	300	2.0
CL GI IR 110 ORF 450 2.0	ORF	110	450	2.0
CL GI IR 110 ORF 600 2.0	ORF	110	600	2.0
CL GI IR 110 ORF 75 02.0	ORF	110	750	2.0
CL GI IR 110 ORF 900 2.0	ORF	110	900	2.0
CL GI IR 127 ORF 100 2.0	ORF	127	100	2.0
CL GI IR 127 ORF 150 2.0	ORF	127	150	2.0
CL GI IR 127 ORF 300 2.0	ORF	127	300	2.0
CL GI IR 127 ORF 450 2.0	ORF	127	450	2.0
CL GI IR 127 ORF 600 2.0	ORF	127	600	2.0
CL GI IR 127 ORF 750 2.0	ORF	127	750	2.0
CL GI IR 127 ORF 900 2.0	ORF	127	900	2.0
CL GI IR 137 ORF 100 1.5	ORF	137	100	2.0
CL GI IR 137 ORF 150 1.5	ORF	137	150	2.0
CL GI IR 137 ORF 300 1.5	ORF	137	300	2.0
CL GI IR 137 ORF 450 2.0	ORF	137	450	2.0
CL GI IR 137 ORF 600 2.0	ORF	137	600	2.0
CL GI IR 137 ORF 750 2.0	ORF	137	750	2.0
CL GI IR 137 ORF 900 2.0	ORF	137	900	2.0
CL GI IR 150 ORF 100 1.5	ORF	150	100	2.0
CL GI IR 150 ORF 150 1.5	ORF	150	150	2.0
CL GI IR 150 ORF 300 1.5	ORF	150	300	2.0
CL GI IR 150 ORF 450 2.0	ORF	150	450	2.0
CL GI IR 150 ORF 600 2.0	ORF	150	600	2.0
CL GI IR 150 ORF 750 2.0	ORF	150	750	2.0
CL GI IR 150 ORF 900 2.0	ORF	150	900	2.0



### \* Code Detail



\*\*C - CHANNELS SIZES: 41X21mm & 50x25mm

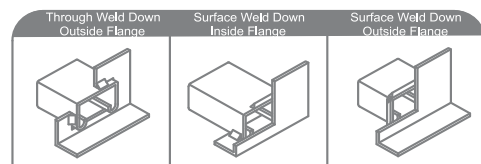
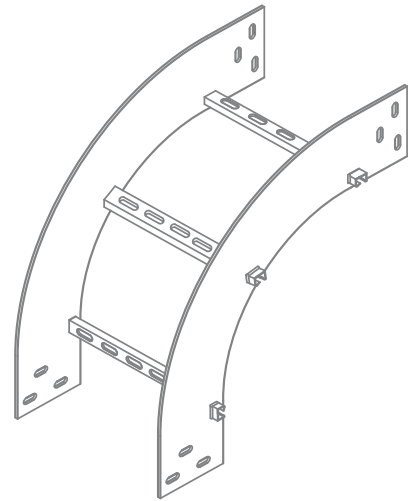


HDG HOT DIP GALVANIZED  
 GI PRE GALVANIZED  
 AL ALUMINIUM  
 P.C POWDER COATED

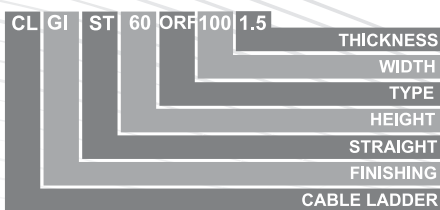
# BAHRA CABLE MANAGEMENT SYSTEM

## CABLE LADDER OUTSIDE RISER

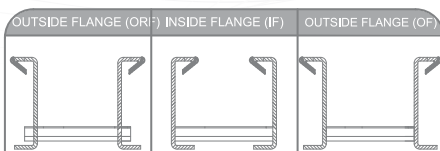
ITEM CODE *	TRAY TYPE	H (mm)	W(mm)	T**(mm)
CL GI OR 110 ORF 100 2.0	ORF	110	100	2.0
CL GI OR 110 ORF 150 2.0	ORF	110	150	2.0
CL GI OR 110 ORF 300 2.0	ORF	110	300	2.0
CL GI OR 110 ORF 450 2.0	ORF	110	450	2.0
CL GI OR 110 ORF 600 2.0	ORF	110	600	2.0
CL GI OR 110 ORF 750 2.0	ORF	110	750	2.0
CL GI OR 110 ORF 900 2.0	ORF	110	900	2.0
CL GI OR 127 ORF 100 2.0	ORF	127	100	2.0
CL GI OR 127 ORF 150 2.0	ORF	127	150	2.0
CL GI OR 127 ORF 300 2.0	ORF	127	300	2.0
CL GI OR 127 ORF 450 2.0	ORF	127	450	2.0
CL GI OR 127 ORF 600 2.0	ORF	127	600	2.0
CL GI OR 127 ORF 750 2.0	ORF	127	750	2.0
CL GI OR 127 ORF 900 2.0	ORF	127	900	2.0
CL GI OR 137 ORF 100 1.5	ORF	137	100	2.0
CL GI OR 137 ORF 150 1.5	ORF	137	150	2.0
CL GI OR 137 ORF 300 1.5	ORF	137	300	2.0
CL GI OR 137 ORF 450 2.0	ORF	137	450	2.0
CL GI OR 137 ORF 600 2.0	ORF	137	600	2.0
CL GI OR 137 ORF 750 2.0	ORF	137	750	2.0
CL GI OR 137 ORF 900 2.0	ORF	137	900	2.0
CL GI OR 150 ORF 100 1.5	ORF	150	100	2.0
CL GI OR 150 ORF 150 1.5	ORF	150	150	2.0
CL GI OR 150 ORF 300 1.5	ORF	150	300	2.0
CL GI OR 150 ORF 450 2.0	ORF	150	450	2.0
CL GI OR 150 ORF 600 2.0	ORF	150	600	2.0
CL GI OR 150 ORF 750 2.0	ORF	150	750	2.0
CL GI OR 150 ORF 900 2.0	ORF	150	900	2.0



### \* Code Detail



\*\*C - CHANNELS SIZES: 41X21mm & 50x25mm

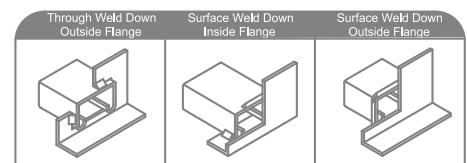
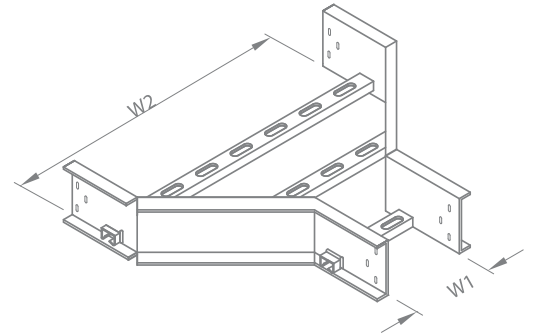


HDG    HOT DIP GALVANIZED  
GI    PRE GALVANIZED  
AL    ALUMINIUM  
P.C    POWDER COATED

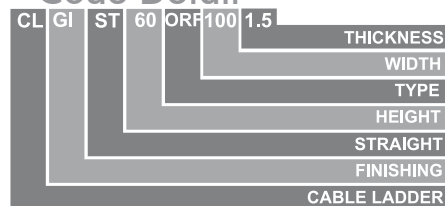
# BAHRA CABLE MANAGEMENT SYSTEM

## CABLE LADDER INSIDER RISER

ITEM CODE *	TRAY TYPE	H (mm)	W(mm)	T**(mm)
CL GI SR 110 ORF 100 2.0	ORF	110	100	2.0
CL GI SR 110 ORF 150 2.0	ORF	110	150	2.0
CL GI SR 110 ORF 300 2.0	ORF	110	300	2.0
CL GI SR 110 ORF 450 2.0	ORF	110	450	2.0
CL GI SR 110 ORF 600 2.0	ORF	110	600	2.0
CL GI SR 110 ORF 750 2.0	ORF	110	750	2.0
CL GI SR 110 ORF 900 2.0	ORF	110	900	2.0
CL GI SR 127 ORF 100 2.0	ORF	127	100	2.0
CL GI SR 127 ORF 150 2.0	ORF	127	150	2.0
CL GI SR 127 ORF 300 2.0	ORF	127	300	2.0
CL GI SR 127 ORF 450 2.0	ORF	127	450	2.0
CL GI SR 127 ORF 600 2.0	ORF	127	600	2.0
CL GI SR 127 ORF 750 2.0	ORF	127	750	2.0
CL GI SR 127 ORF 900 2.0	ORF	127	900	2.0
CL GI SR 137 ORF 100 1.5	ORF	137	100	2.0
CL GI SR 137 ORF 150 1.5	ORF	137	150	2.0
CL GI SR 137 ORF 300 1.5	ORF	137	300	2.0
CL GI SR 137 ORF 450 2.0	ORF	137	450	2.0
CL GI SR 137 ORF 600 2.0	ORF	137	600	2.0
CL GI SR 137 ORF 750 2.0	ORF	137	750	2.0
CL GI SR 137 ORF 900 2.0	ORF	137	900	2.0
CL GI SR 150 ORF 100 1.5	ORF	150	100	2.0
CL GI SR 150 ORF 150 1.5	ORF	150	150	2.0
CL GI SR 150 ORF 300 1.5	ORF	150	300	2.0
CL GI SR 150 ORF 450 2.0	ORF	150	450	2.0
CL GI SR 150 ORF 600 2.0	ORF	150	600	2.0
CL GI SR 150 ORF 750 2.0	ORF	150	750	2.0
CL GI SR 150 ORF 900 2.0	ORF	150	900	2.0

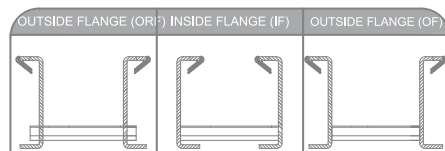


### \* Code Detail



\*\*C - CHANNELS SIZES: 41X21mm & 50x25mm

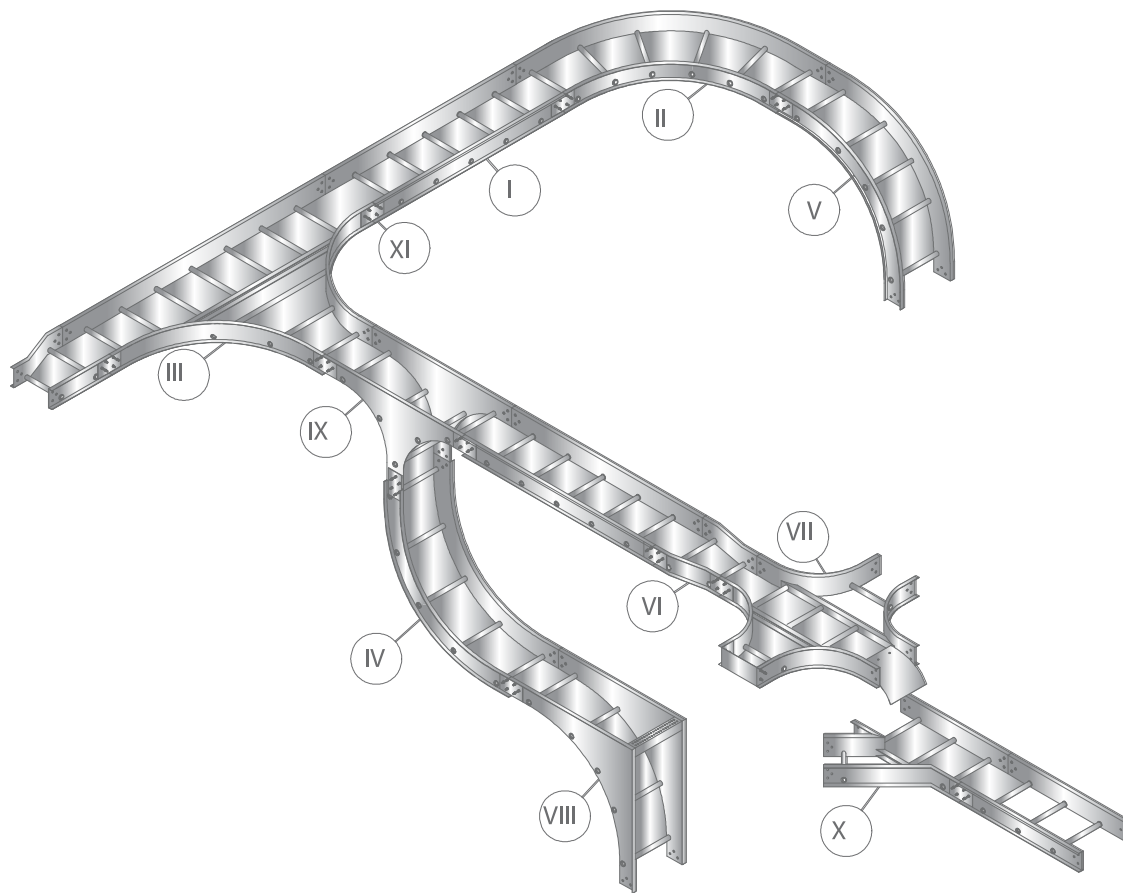
\*FLANGE (F) =21 OR 32



- HDG - HOT-DIP GALVANIZED
- GI - PRE GALVANIZED
- AL - ALUMINIUM
- P.C - POWDER COATED

# BAHRA CABLE MANAGEMENT SYSTEM

## CABLE LADDER SWAGED

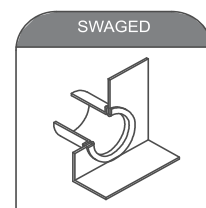
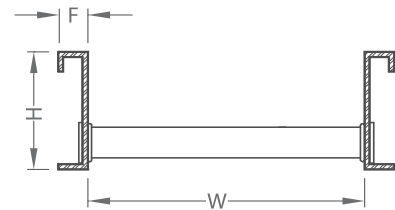
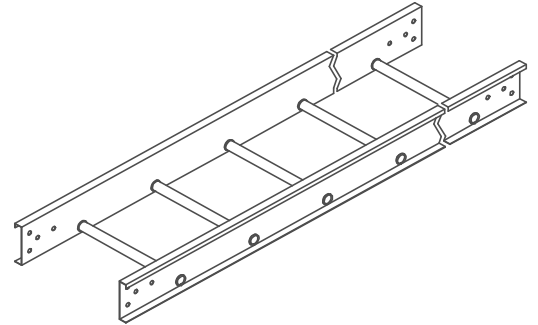


- I. CABLE LADDER STRAIGHT
- II. °90 ELBOW
- III. TEE
- IV °90 INSIDE RISER
- V °90 OUTSIDR RISER
- VI STRAIGHT REDUCER
- VII CROSS TEE
- VIII. °90 VERTICAL CABLE SUPPORT ELBOW
- IX. VERTICAL TEE
- X. Y BRANCH
- XI. STRAIGHT CONNECTOR

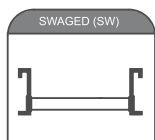
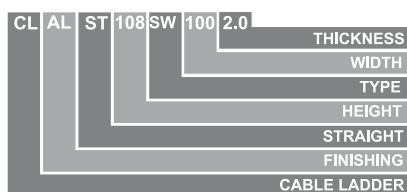
# BAHRA CABLE MANAGEMENT SYSTEM

## CABLE LADDER STRAIGHT

ITEM CODE *	TRAY TYPE	H (mm)	W(mm)	T**(mm)
CL AL ST 108 SW 100 20	SW	108	100	20
CL AL ST 108 SW 150 20	SW	108	150	20
CL AL ST 108 SW 300 20	SW	108	300	20
CL AL ST 108 SW 450 20	SW	108	450	20
CL AL ST 108 SW 600 20	SW	108	600	20
CL AL ST 108 SW 750 20	SW	108	750	20
CL AL ST 108 SW 900 20	SW	108	900	20
CL AL ST 133 SW 100 20	SW	133	100	20
CL AL ST 133 SW 150 20	SW	133	150	20
CL AL ST 133 SW 300 20	SW	133	300	20
CL AL ST 133 SW 450 20	SW	133	450	20
CL AL ST 133 SW 600 20	SW	133	600	20
CL AL ST 133 SW 750 20	SW	133	750	20
CL AL ST 133 SW 900 20	SW	133	900	20
CL AL ST 159 SW 100 20	SW	159	100	20
CL AL ST 159 SW 150 20	SW	159	150	20
CL AL ST 159 SW 300 20	SW	159	300	20
CL AL ST 159 SW 450 20	SW	159	450	20
CL AL ST 159 SW 600 20	SW	159	600	20
CL AL ST 159 SW 750 20	SW	159	750	20
CL AL ST 159 SW 900 20	SW	159	900	20
CL AL ST 184 SW 100 20	SW	184	100	20
CL AL ST 184 SW 150 20	SW	184	150	20
CL AL ST 184 SW 300 20	SW	184	300	20
CL AL ST 184 SW 450 20	SW	184	450	20
CL AL ST 184 SW 600 20	SW	184	600	20
CL AL ST 184 SW 750 20	SW	184	750	20
CL AL ST 184 SW 900 20	SW	184	900	20



### \* CODE DETAIL



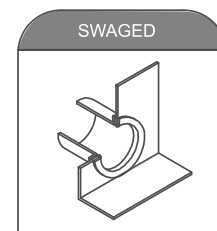
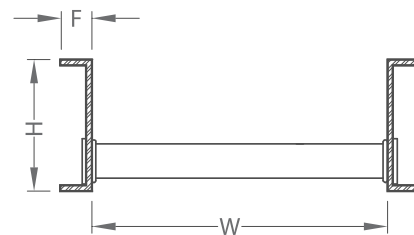
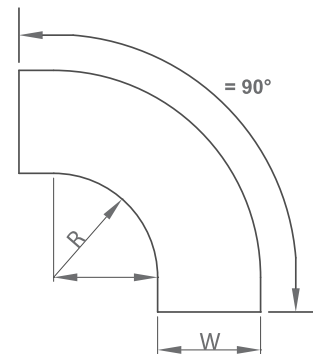
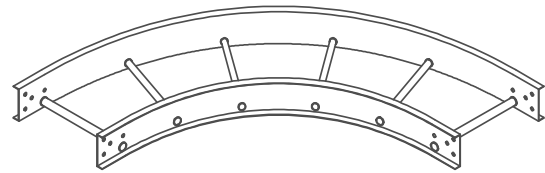
\* Flange (F) = 20 to 50 mm

HDG    HOT DIP GALVANIZED  
 GI     PRE GALVANIZED  
 AL     ALUMINUM  
 P.C    POWDER COATED

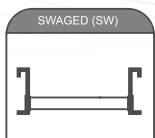
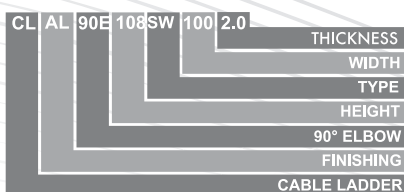
# BAHRA CABLE MANAGEMENT SYSTEM

## CABLE LADDER ELBOW 90°

ITEM CODE *	TRAY TYPE	H (mm)	W(mm)	T**(mm)
CL AL 90E 108 SW 100 20	SW	108	100	20
CL AL 90E 108 SW 150 20	SW	108	150	20
CL AL 90E 108 SW 300 20	SW	108	300	20
CL AL 90E 108 SW 450 20	SW	108	450	20
CL AL 90E 108 SW 600 20	SW	108	600	20
CL AL 90E 108 SW 750 20	SW	108	750	20
CL AL 90E 108 SW 900 20	SW	108	900	20
CL AL 90E 133 SW 100 20	SW	133	100	20
CL AL 90E 133 SW 150 20	SW	133	150	20
CL AL 90E 133 SW 300 20	SW	133	300	20
CL AL 90E 133 SW 450 20	SW	133	450	20
CL AL 90E 133 SW 600 20	SW	133	600	20
CL AL 90E 133 SW 750 20	SW	133	750	20
CL AL 90E 133 SW 900 20	SW	133	900	20
CL AL 90E 159 SW 100 20	SW	159	100	20
CL AL 90E 159 SW 150 20	SW	159	150	20
CL AL 90E 159 SW 300 20	SW	159	300	20
CL AL 90E 159 SW 450 20	SW	159	450	20
CL AL 90E 159 SW 600 20	SW	159	600	20
CL AL 90E 159 SW 750 20	SW	159	750	20
CL AL 90E 159 SW 900 20	SW	159	900	20
CL AL 90E 184 SW 100 20	SW	184	100	20
CL AL 90E 184 SW 150 20	SW	184	150	20
CL AL 90E 184 SW 300 20	SW	184	300	20
CL AL 90E 184 SW 450 20	SW	184	450	20
CL AL 90E 184 SW 600 20	SW	184	600	20
CL AL 90E 184 SW 750 2.0	SW	184	750	20
CL AL 90E 184 SW 900 2.0	SW	184	900	20



### \* CODE DETAIL



\* Flange (F) = 20 to 50 mm

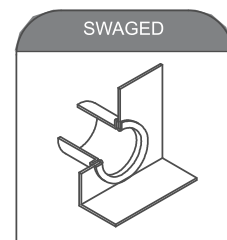
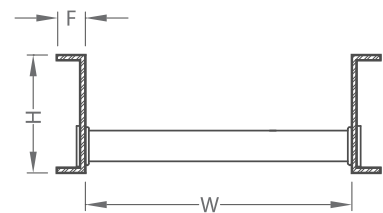
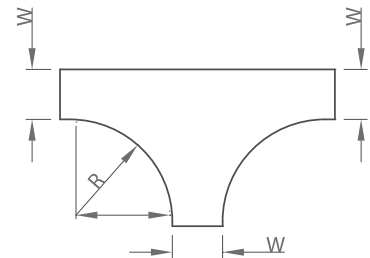
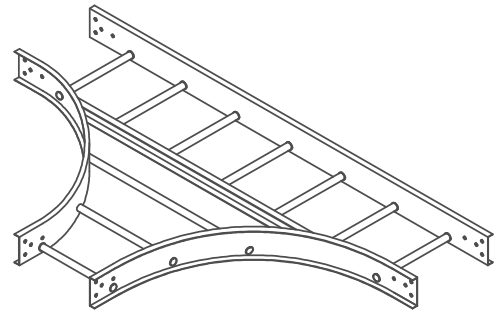
HDG      HOT DIP GALVANIZED  
 GI        PRE GALVANIZED  
 AL        ALUMINUM  
 P.C        POWDER COATED



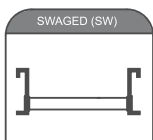
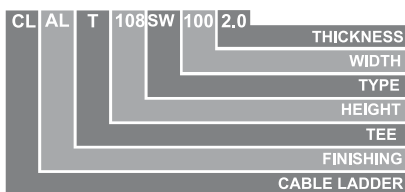
# BAHRA CABLE MANAGEMENT SYSTEM

## CABLE LADDER TEE

ITEM CODE *	TRAY TYPE	H (mm)	W(mm)	T**(mm)
CL AL T 108 SW 100 20	SW	108	100	20
CL AL T 108 SW 150 20	SW	108	150	20
CL AL T 108 SW 300 20	SW	108	300	20
CL AL T 108 SW 450 20	SW	108	450	20
CL AL T 108 SW 600 20	SW	108	600	20
CL AL T 108 SW 750 20	SW	108	750	20
CL AL T 108 SW 900 20	SW	108	900	20
CL AL T 133 SW 100 20	SW	133	100	20
CL AL T 133 SW 150 20	SW	133	150	20
CL AL T 133 SW 300 20	SW	133	300	20
CL AL T 133 SW 450 20	SW	133	450	20
CL AL T 133 SW 600 20	SW	133	600	20
CL AL T 133 SW 750 20	SW	133	750	20
CL AL T 133 SW 900 20	SW	133	900	20
CL AL T 159 SW 100 20	SW	159	100	20
CL AL T 159 SW 150 20	SW	159	150	20
CL AL T 159 SW 300 20	SW	159	300	20
CL AL T 159 SW 450 20	SW	159	450	20
CL AL T 159 SW 600 20	SW	159	600	20
CL AL T 159 SW 750 20	SW	159	750	20
CL AL T 159 SW 900 20	SW	159	900	20
CL AL T 184 SW 100 20	SW	184	100	20
CL AL T 184 SW 150 20	SW	184	150	20
CL AL T 184 SW 300 20	SW	184	300	20
CL AL T 184 SW 450 20	SW	184	450	20
CL AL T 184 SW 600 20	SW	184	600	20
CL AL T 184 SW 750 20	SW	184	750	20
CL AL T 184 SW 900 20	SW	184	900	20



### \* CODE DETAIL



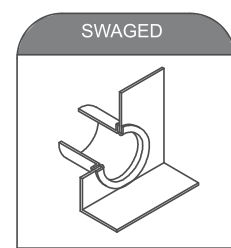
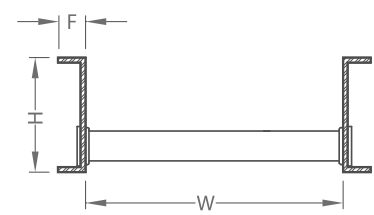
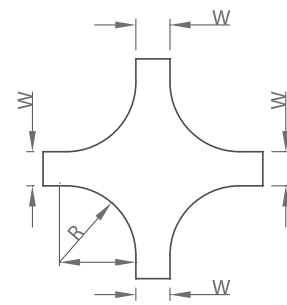
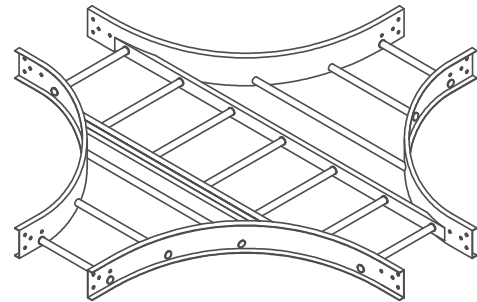
\* Flange (F) = 20 to 50 mm

HDG    HOT DIP GALVANIZED  
 GI     PRE GALVANIZED  
 AL     ALUMINUM  
 P.C    POWDER COATED

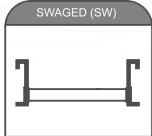
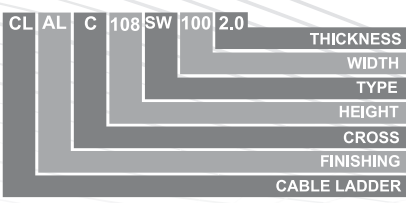
# BAHRA CABLE MANAGEMENT SYSTEM

## CABLE LADDER CROSS

ITEM CODE *	TRAY TYPE	H (mm)	W(mm)	T**(mm)
CL AL C 108 SW 100 20	SW	108	100	20
CL AL C 108 SW 150 20	SW	108	150	20
CL AL C 108 SW 300 20	SW	108	300	20
CL AL C 108 SW 450 20	SW	108	450	20
CL AL C 108 SW 600 20	SW	108	600	20
CL AL C 108 SW 750 20	SW	108	750	20
CL AL C 108 SW 900 20	SW	108	900	20
CL AL C 133 SW 100 20	SW	133	100	20
CL AL C 133 SW 150 20	SW	133	150	20
CL AL C 133 SW 300 20	SW	133	300	20
CL AL C 133 SW 450 20	SW	133	450	20
CL AL C 133 SW 600 20	SW	133	600	20
CL AL C 133 SW 750 20	SW	133	750	20
CL AL C 133 SW 900 20	SW	133	900	20
CL AL C 159 SW 100 20	SW	159	100	20
CL AL C 159 SW 150 20	SW	159	150	20
CL AL C 159 SW 300 20	SW	159	300	20
CL AL C 159 SW 450 20	SW	159	450	20
CL AL C 159 SW 600 20	SW	159	600	20
CL AL C 159 SW 750 20	SW	159	750	20
CL AL C 159 SW 900 20	SW	159	900	20
CL AL C 184 SW 100 20	SW	184	100	20
CL AL C 184 SW 150 20	SW	184	150	20
CL AL C 184 SW 300 20	SW	184	300	20
CL AL C 184 SW 450 20	SW	184	450	20
CL AL C 184 SW 600 20	SW	184	600	20
CL AL C 184 SW 750 20	SW	184	750	20
CL AL C 184 SW 900 20	SW	184	900	20



### \* CODE DETAIL



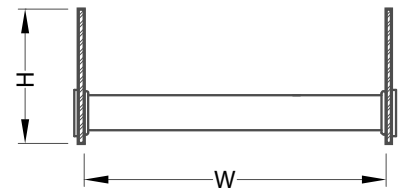
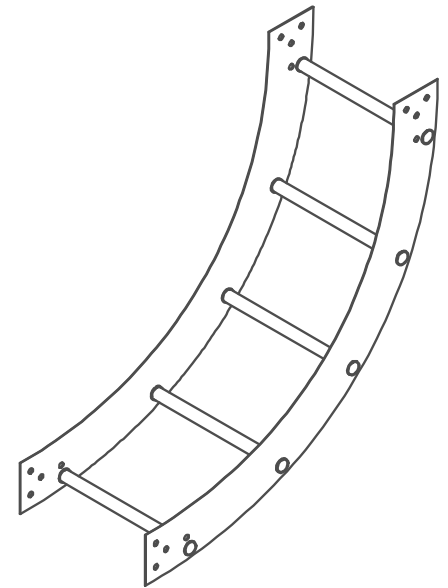
\* Flange (F) = 20 to 50 mm

HDG      HOT DIP GALVANIZED  
 GI        PRE GALVANIZED  
 AL        ALUMINUM  
 P.C        POWDER COATED

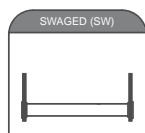
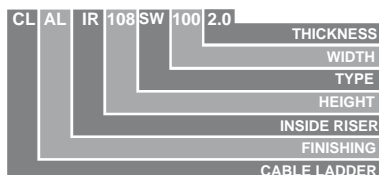
# BAHRA CABLE MANAGEMENT SYSTEM

## CABLE LADDER INSIDE RISER

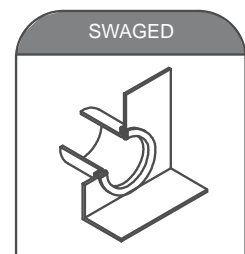
ITEM CODE *	TRAY TYPE	H (mm)	W(mm)	T**(mm)
CL AL IR 108 SW 100 20	SW	108	100	20
CL AL IR 108 SW 150 20	SW	108	150	20
CL AL IR 108 SW 300 20	SW	108	300	20
CL AL IR 108 SW 450 20	SW	108	450	20
CL AL IR 108 SW 600 20	SW	108	600	20
CL AL IR 108 SW 750 20	SW	108	750	20
CL AL IR 108 SW 900 20	SW	108	900	20
CL AL IR 133 SW 100 20	SW	133	100	20
CL AL IR 133 SW 150 20	SW	133	150	20
CL AL IR 133 SW 300 20	SW	133	300	20
CL AL IR 133 SW 450 20	SW	133	450	20
CL AL IR 133 SW 600 20	SW	133	600	20
CL AL IR 133 SW 750 20	SW	133	750	20
CL AL IR 133 SW 900 20	SW	133	900	20
CL AL IR 159 SW 100 20	SW	159	100	20
CL AL IR 159 SW 150 20	SW	159	150	20
CL AL IR 159 SW 300 20	SW	159	300	20
CL AL IR 159 SW 450 20	SW	159	450	20
CL AL IR 159 SW 600 20	SW	159	600	20
CL AL IR 159 SW 750 20	SW	159	750	20
CL AL IR 159 SW 900 20	SW	159	900	20
CL AL IR 184 SW 100 20	SW	184	100	20
CL AL IR 184 SW 150 20	SW	184	150	20
CL AL IR 184 SW 300 20	SW	184	300	20
CL AL IR 184 SW 450 20	SW	184	450	20
CL AL IR 184 SW 600 20	SW	184	600	20
CL AL IR 184 SW 750 20	SW	184	750	20
CL AL IR 184 SW 900 20	SW	184	900	20



### \* CODE DETAIL



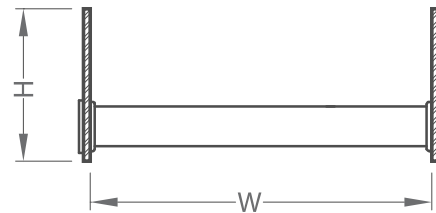
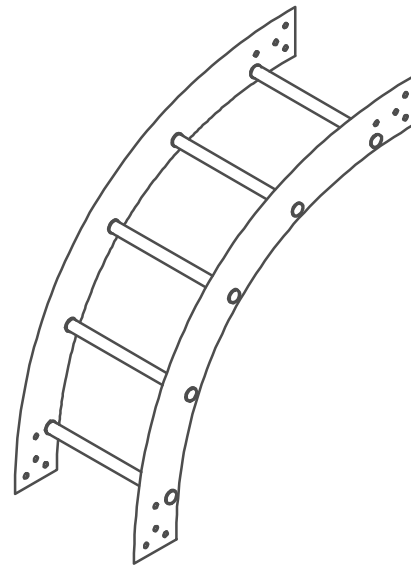
HDG    HOT DIP GALVANIZED  
 GI     PRE GALVANIZED  
 AL     ALUMINUM  
 P.C    POWDER COATED



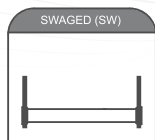
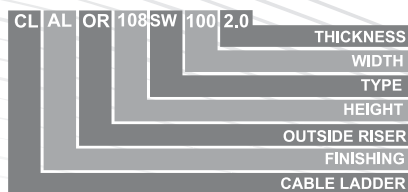
# BAHRA CABLE MANAGEMENT SYSTEM

## CABLE LADDER OUTSIDE RISER

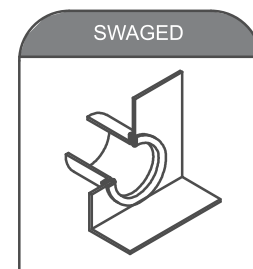
ITEM CODE *	TRAY TYPE	H (mm)	W(mm)	T**(mm)
CL AL OR 108 SW 100 20	SW	108	100	20
CL AL OR 108 SW 150 20	SW	108	150	20
CL AL OR 108 SW 300 20	SW	108	300	20
CL AL OR 108 SW 450 20	SW	108	450	20
CL AL OR 108 SW 600 20	SW	108	600	20
CL AL OR 108 SW 750 20	SW	108	750	20
CL AL OR 108 SW 900 20	SW	108	900	20
CL AL OR 133 SW 100 20	SW	133	100	20
CL AL OR 133 SW 150 20	SW	133	150	20
CL AL OR 133 SW 300 20	SW	133	300	20
CL AL OR 133 SW 450 20	SW	133	450	20
CL AL OR 133 SW 600 20	SW	133	600	20
CL AL OR 133 SW 750 20	SW	133	750	20
CL AL OR 133 SW 900 20	SW	133	900	20
CL AL OR 159 SW 100 20	SW	159	100	20
CL AL OR 159 SW 150 20	SW	159	150	20
CL AL OR 159 SW 300 20	SW	159	300	20
CL AL OR 159 SW 450 20	SW	159	450	20
CL AL OR 159 SW 600 20	SW	159	600	20
CL AL OR 159 SW 750 20	SW	159	750	20
CL AL OR 159 SW 900 20	SW	159	900	20
CL AL OR 184 SW 100 20	SW	184	100	20
CL AL OR 184 SW 150 20	SW	184	150	20
CL AL OR 184 SW 300 20	SW	184	300	20
CL AL OR 184 SW 450 20	SW	184	450	20
CL AL OR 184 SW 600 20	SW	184	600	20
CL AL OR 184 SW 750 20	SW	184	750	20
CL AL OR 184 SW 900 20	SW	184	900	20



### \* CODE DETAIL



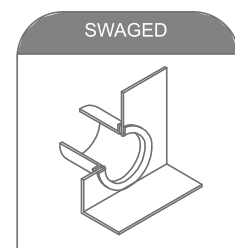
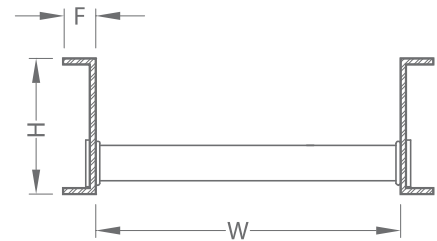
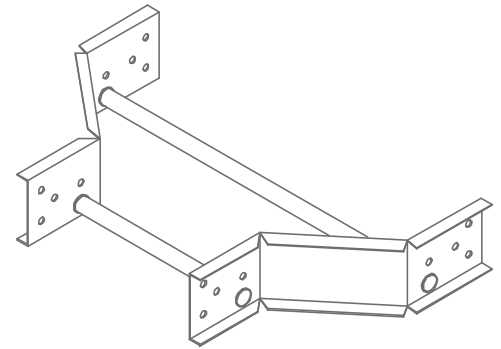
HDG      HOT DIP GALVANIZED  
 GI        PRE GALVANIZED  
 AL        ALUMINUM  
 P.C       POWDER COATED



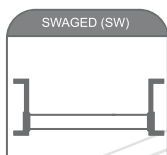
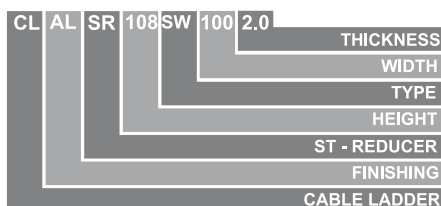
# BAHRA CABLE MANAGEMENT SYSTEM

## CABLE LADDER ST - REDUCER

ITEM CODE *	TRAY TYPE	H (mm)	W(mm)	T**(mm)
CL AL SR 108 SW 100 20	SW	108	100	20
CL AL SR 108 SW 150 20	SW	108	150	20
CL AL SR 108 SW 300 20	SW	108	300	20
CL AL SR 108 SW 450 20	SW	108	450	20
CL AL SR 108 SW 600 20	SW	108	600	20
CL AL SR 108 SW 750 20	SW	108	750	20
CL AL SR 108 SW 900 20	SW	108	900	20
CL AL SR 133 SW 100 20	SW	133	100	20
CL AL SR 133 SW 150 20	SW	133	150	20
CL AL SR 133 SW 300 20	SW	133	300	20
CL AL SR 133 SW 450 20	SW	133	450	20
CL AL SR 133 SW 600 20	SW	133	600	20
CL AL SR 133 SW 750 20	SW	133	750	20
CL AL SR 133 SW 900 20	SW	133	900	20
CL AL SR 159 SW 100 20	SW	159	100	20
CL AL SR 159 SW 150 20	SW	159	150	20
CL AL SR 159 SW 300 20	SW	159	300	20
CL AL SR 159 SW 450 20	SW	159	450	20
CL AL SR 159 SW 600 20	SW	159	600	20
CL AL SR 159 SW 750 20	SW	159	750	20
CL AL SR 159 SW 900 20	SW	159	900	20
CL AL SR 184 SW 100 20	SW	184	100	20
CL AL SR 184 SW 150 20	SW	184	150	20
CL AL SR 184 SW 300 20	SW	184	300	20
CL AL SR 184 SW 450 20	SW	184	450	20
CL AL SR 184 SW 600 20	SW	184	600	20
CL AL SR 184 SW 750 20	SW	184	750	20
CL AL SR 184 SW 900 20	SW	184	900	20



### \* CODE DETAIL

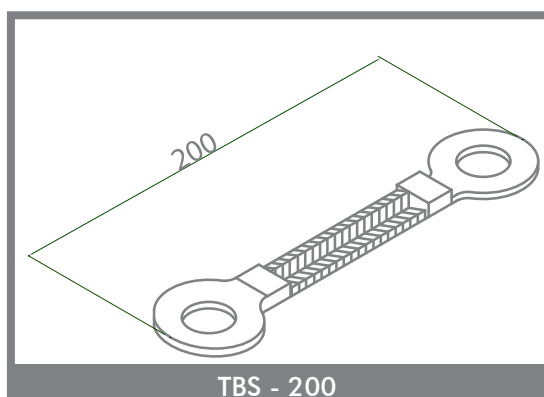
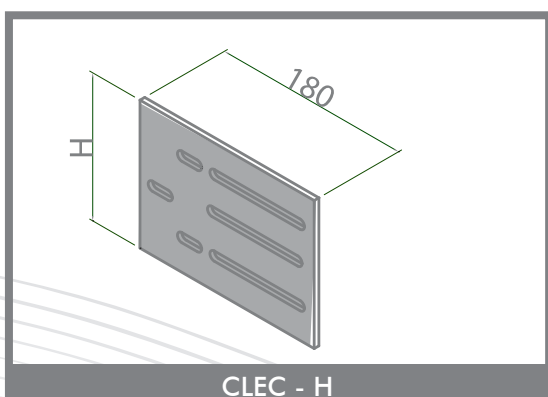
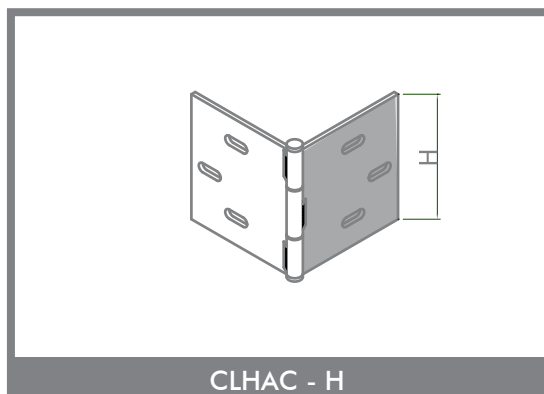
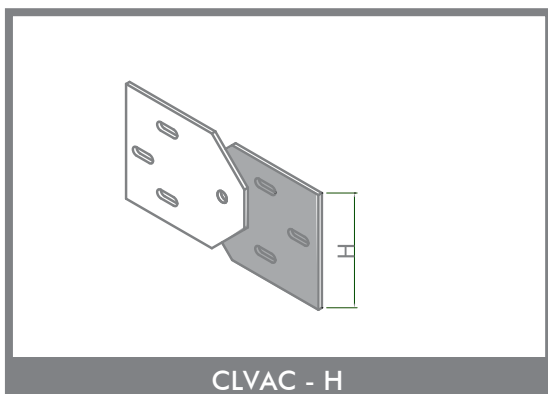
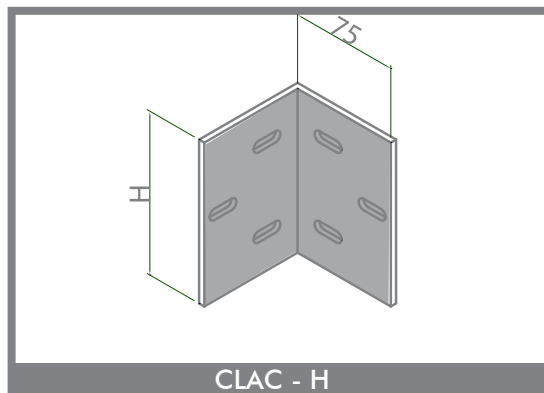
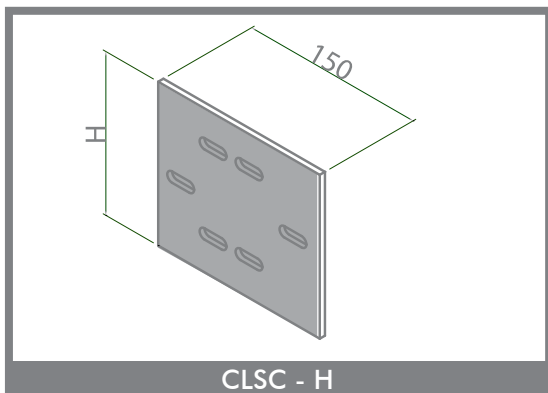


\* Flange (F) = 20 to 50 mm

HDG      HOT DIP GALVANIZED  
 GI        PRE GALVANIZED  
 AL        ALUMINUM  
 P.C        POWDER COATED

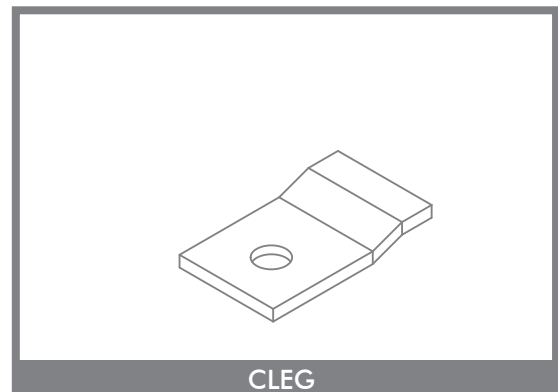
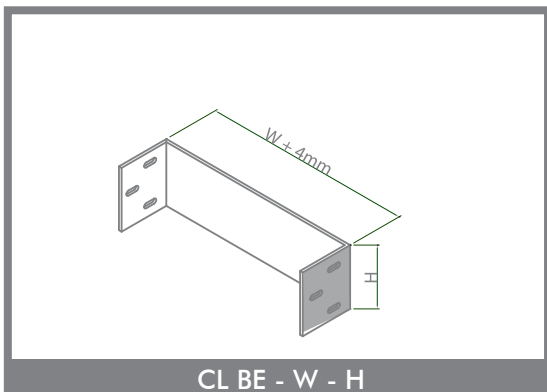
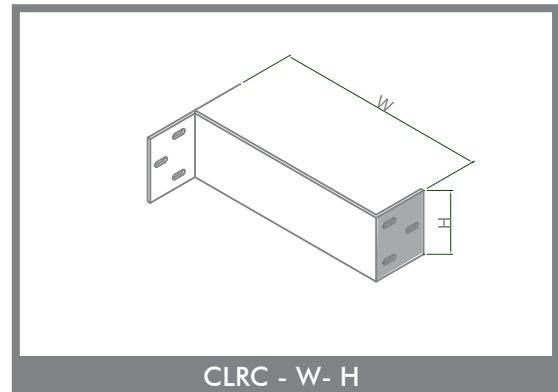
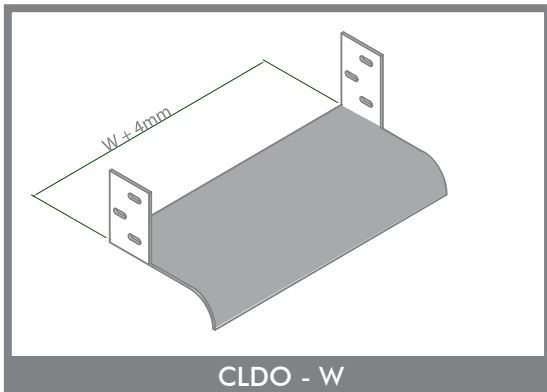
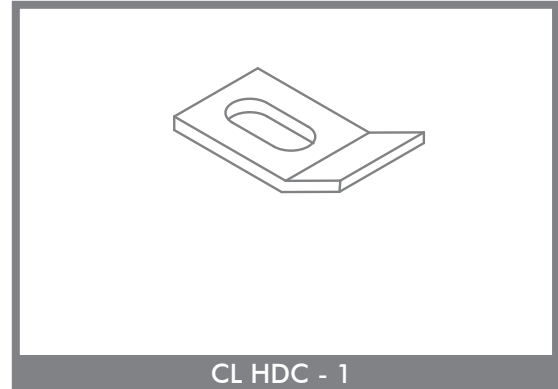
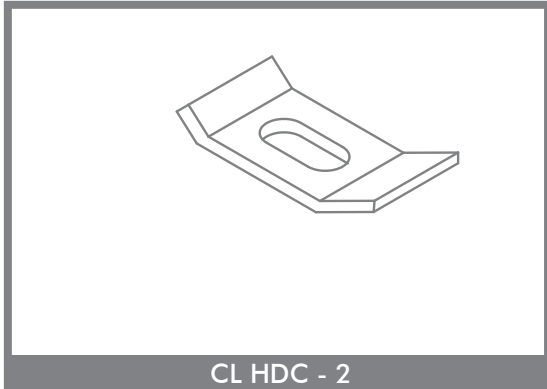
# BAHRA CABLE MANAGEMENT SYSTEM

## CABLE LADDER ACCESSORIES



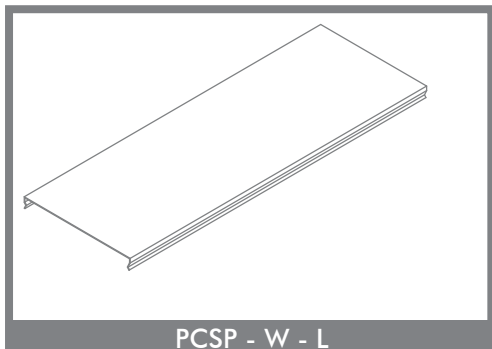
# BAHRA CABLE MANAGEMENT SYSTEM

## CABLE LADDER ACCESSORIES

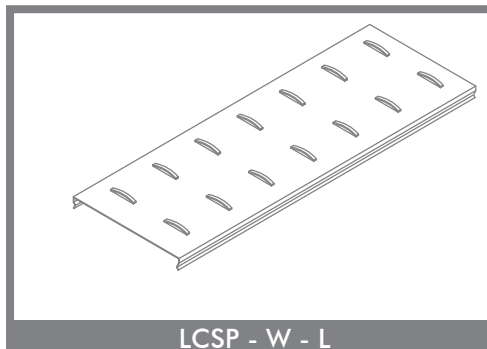


# BAHRA CABLE MANAGEMENT SYSTEM

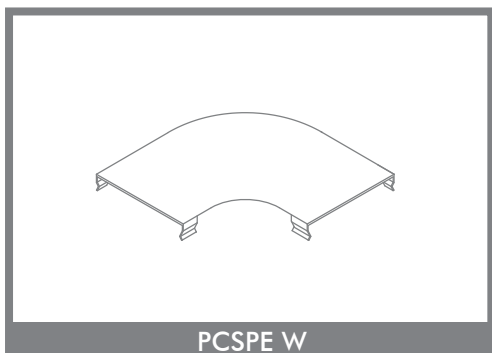
## COVERS - SNAP - ON TYPE



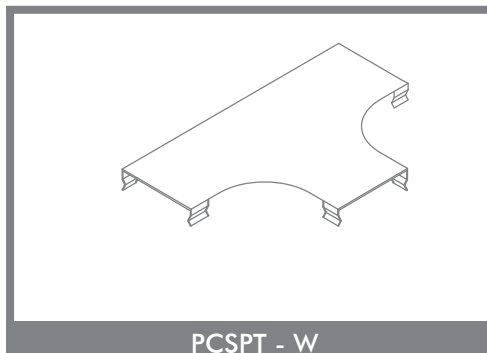
PCSP - W - L



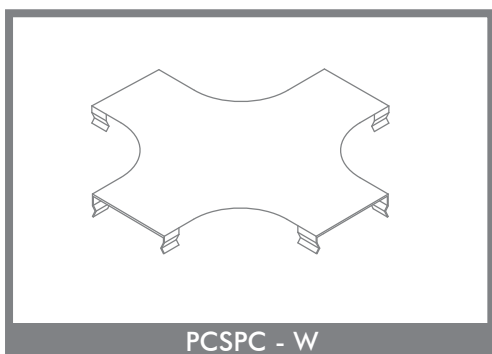
LCSP - W - L



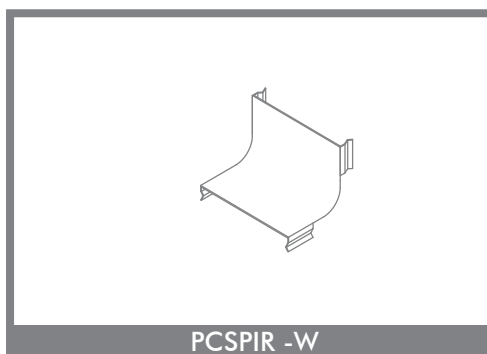
PCSPE W



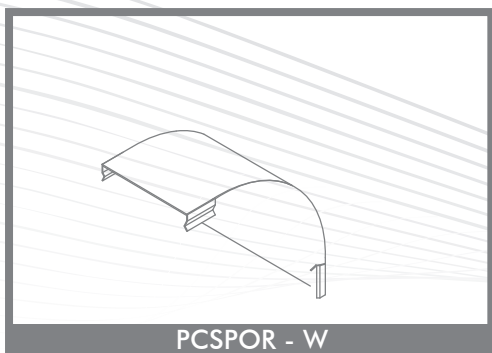
PCSPT - W



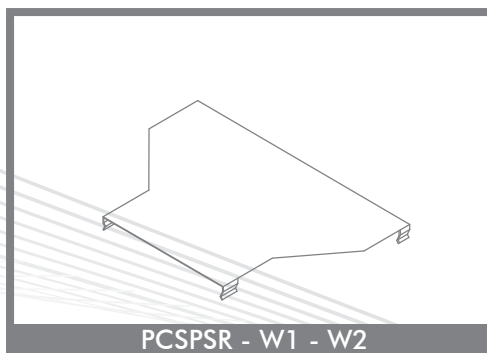
PCSPC - W



PCSPIR - W



PCSPOR - W

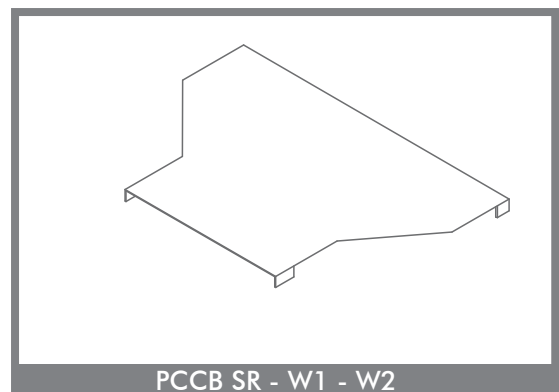
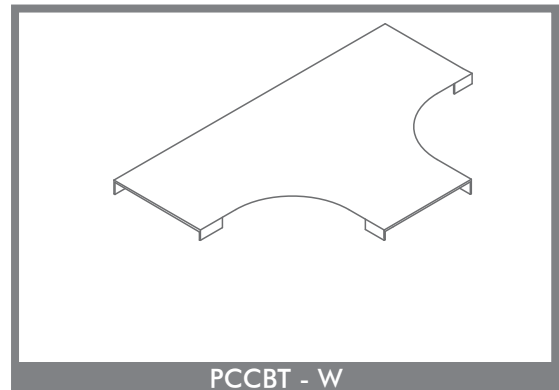
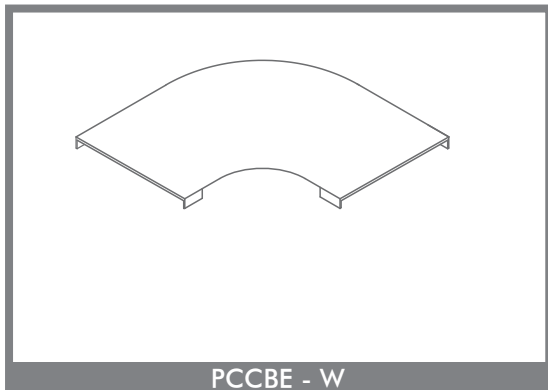
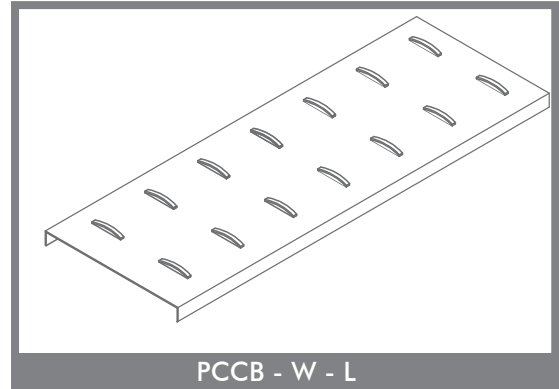
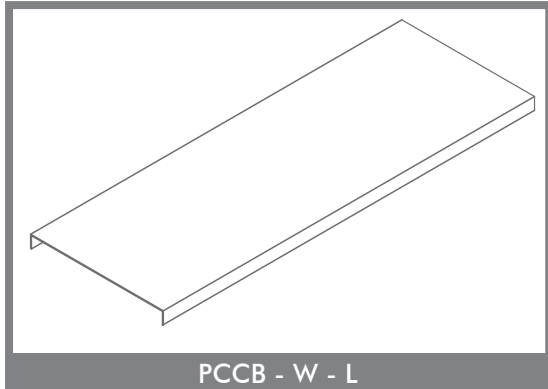


PCSPSR - W1 - W2



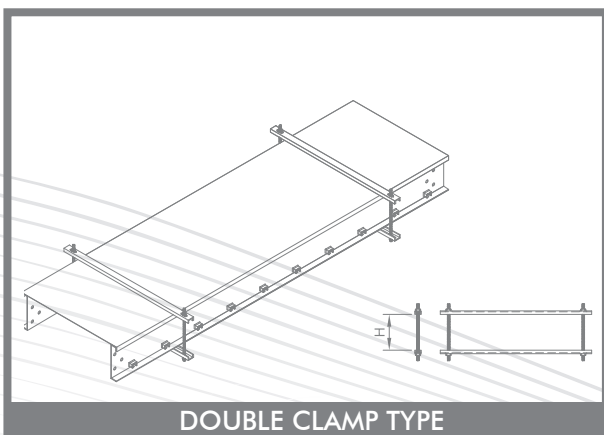
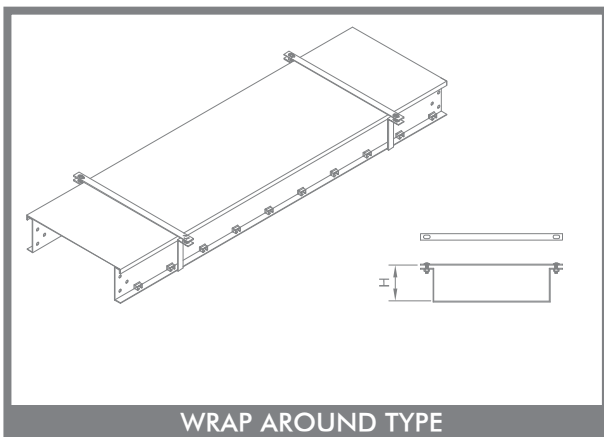
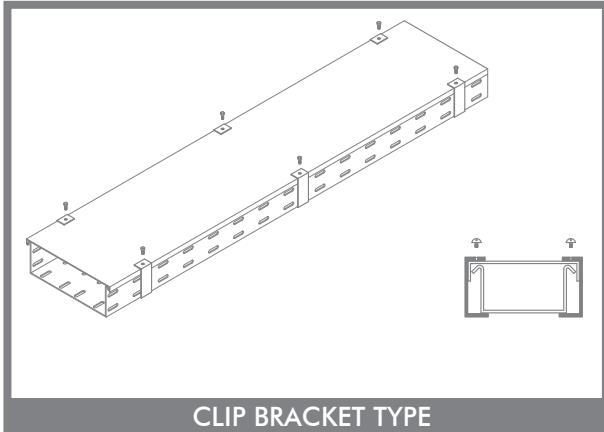
# BAHRA CABLE MANAGEMENT SYSTEM

## COVERS - CLIP BRACKET TYPE



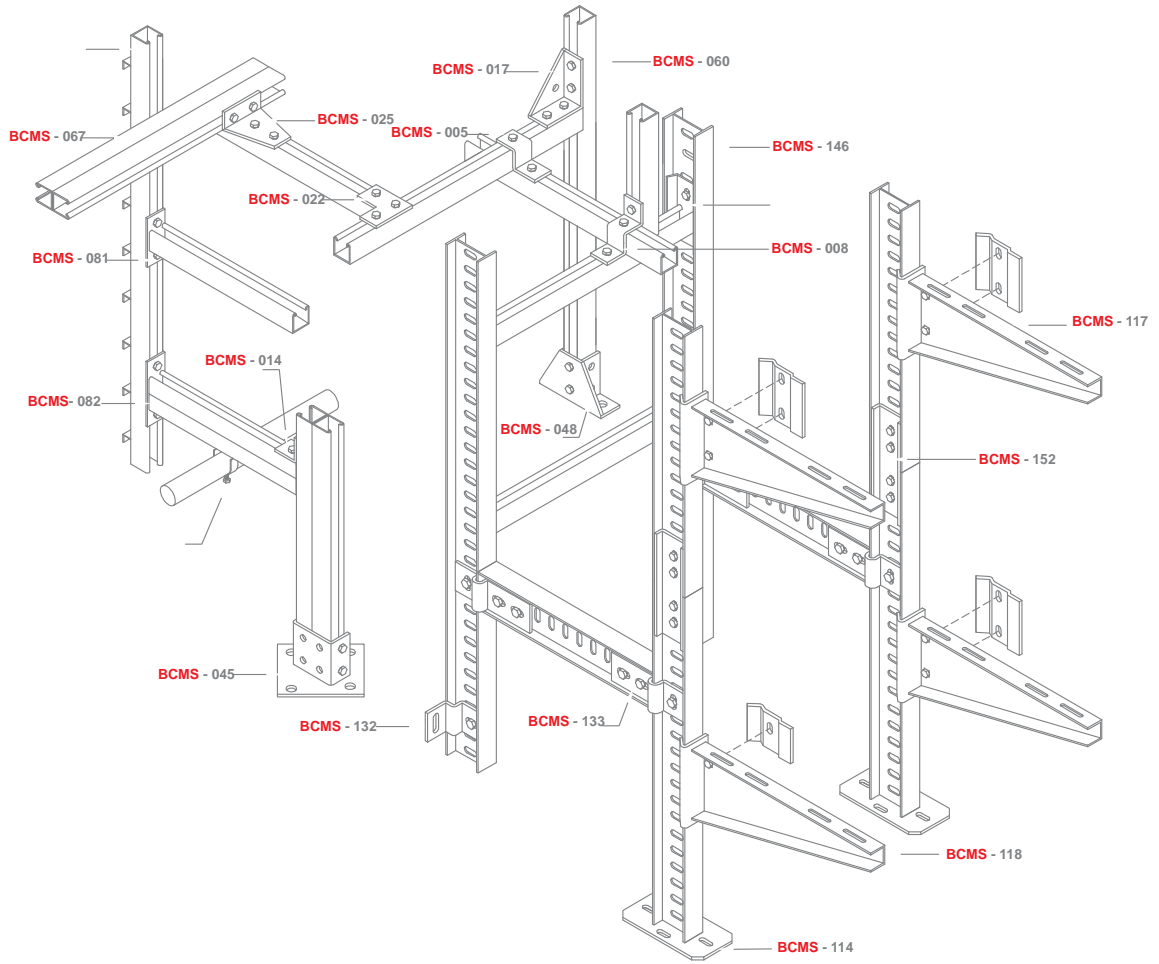
# BAHRA CABLE MANAGEMENT SYSTEM

## COVERS FIXATION



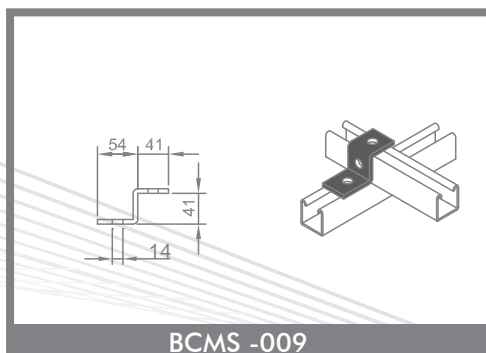
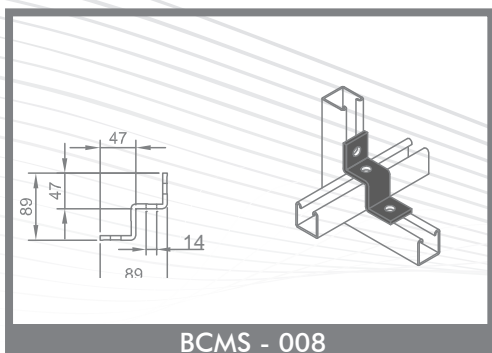
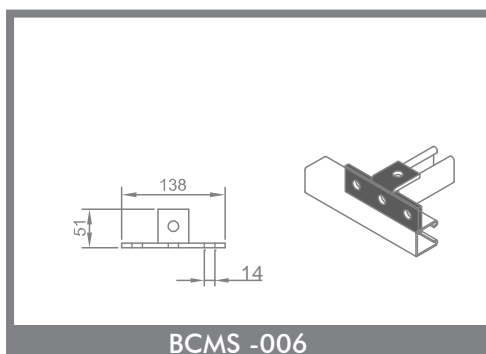
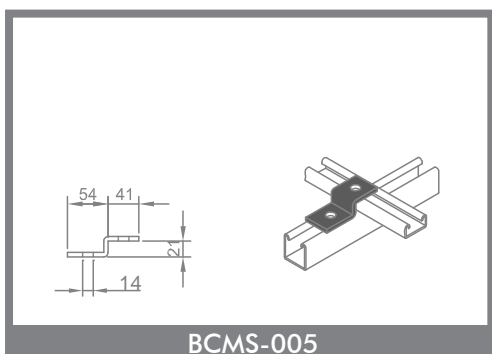
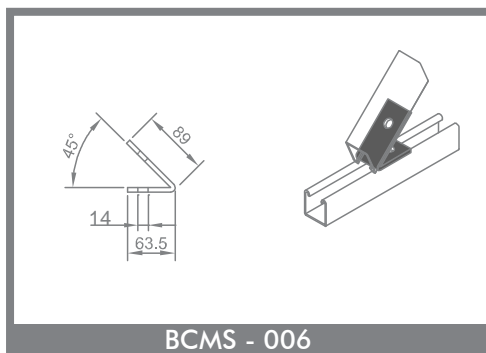
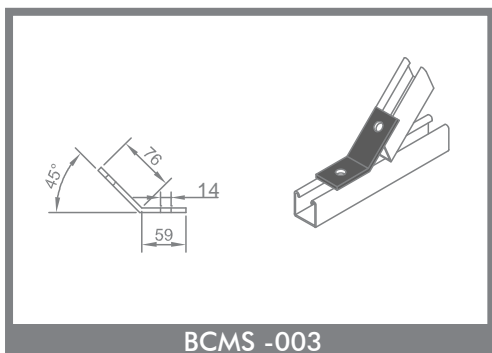
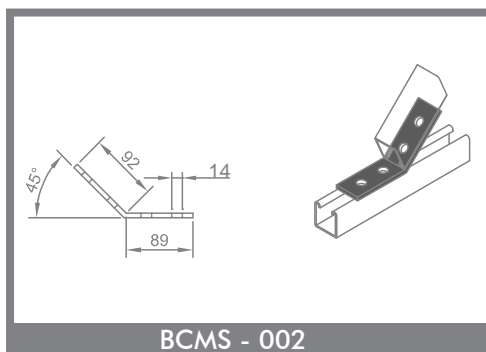
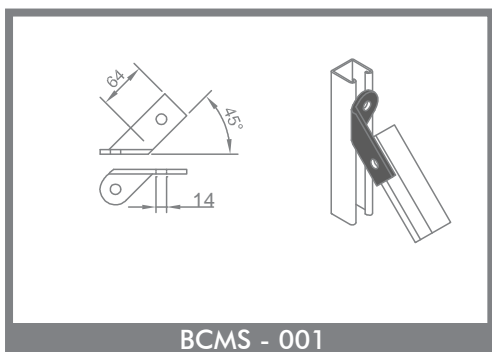
# BAHRA CABLE MANAGEMENT SYSTEM

## SUPPORT SYSTEM



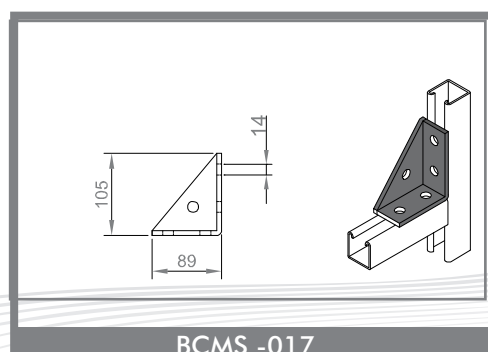
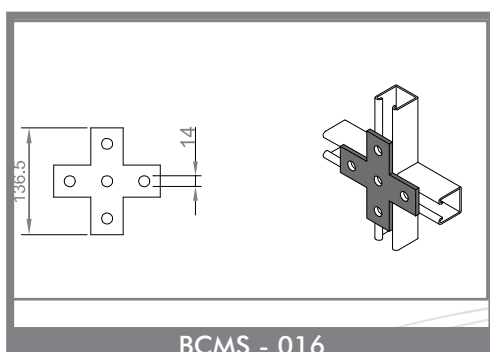
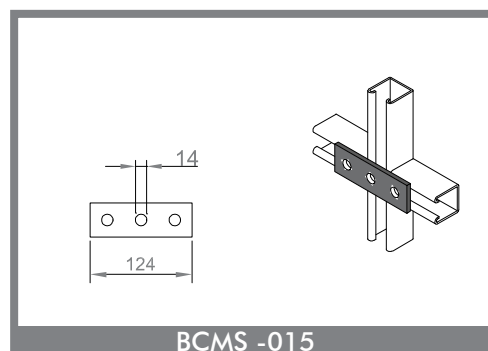
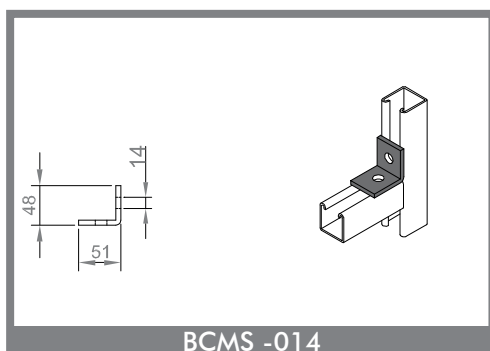
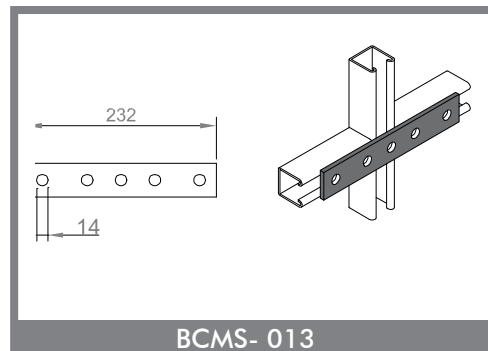
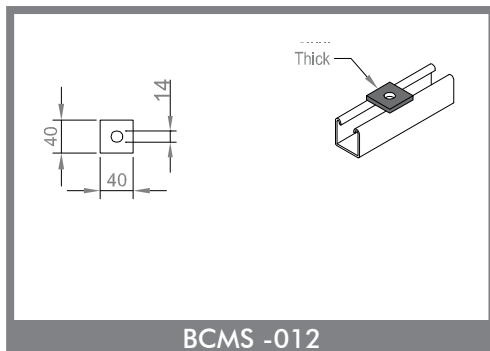
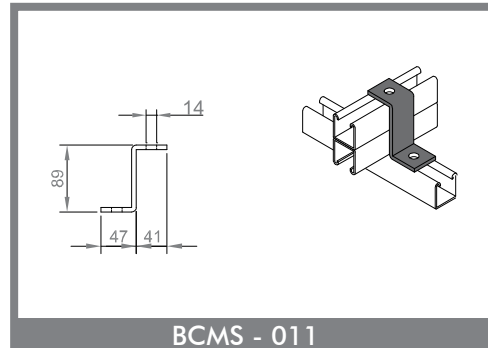
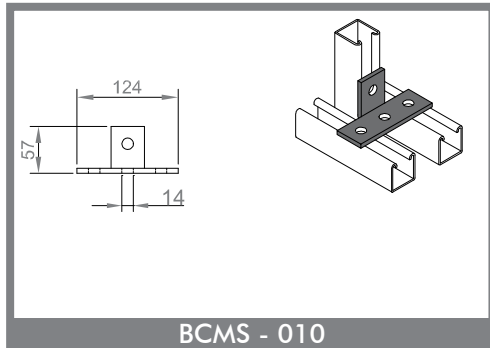
# BAHRA CABLE MANAGEMENT SYSTEM

## FIXING BRACKETS



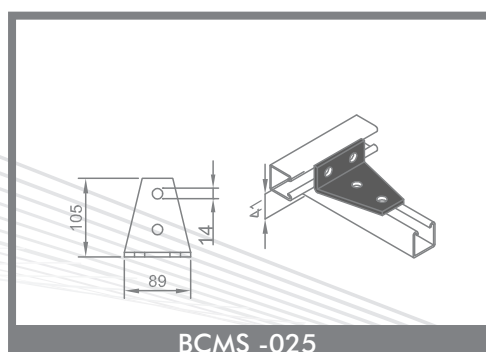
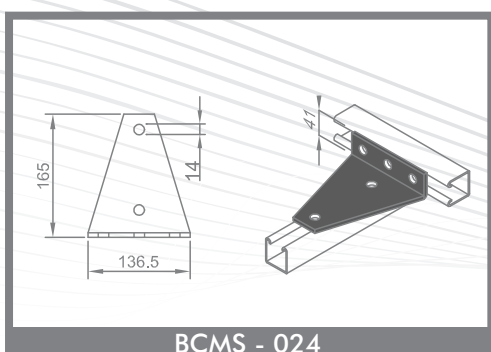
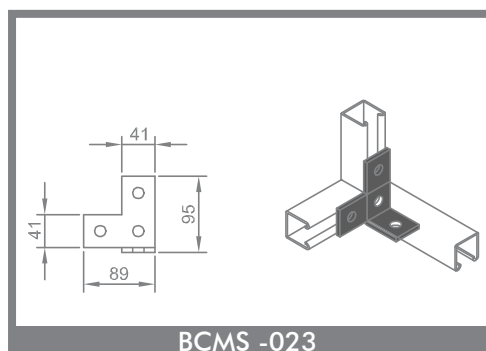
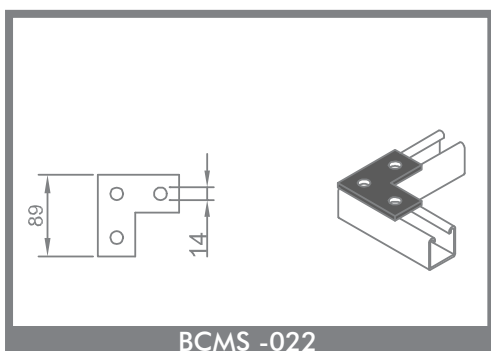
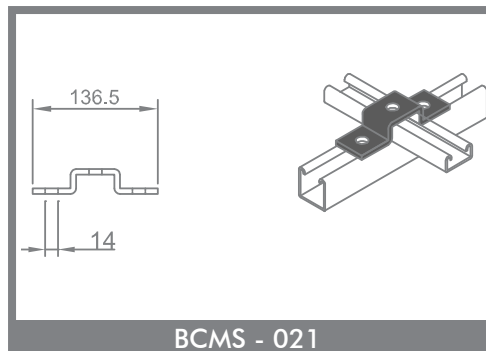
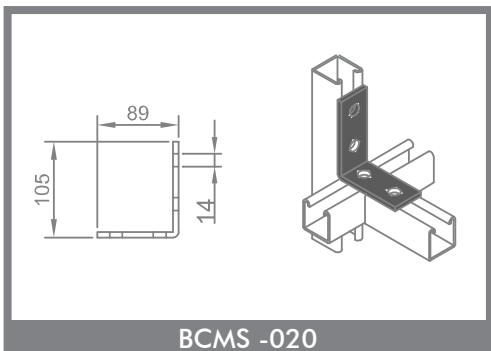
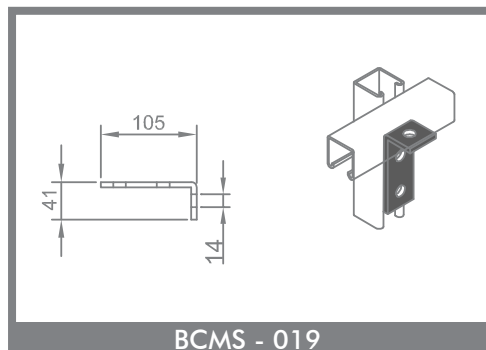
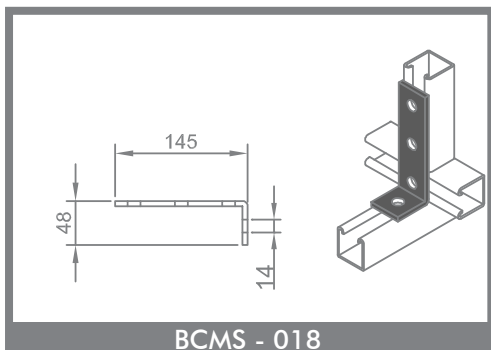
# BAHRA CABLE MANAGEMENT SYSTEM

## FIXING BRACKETS



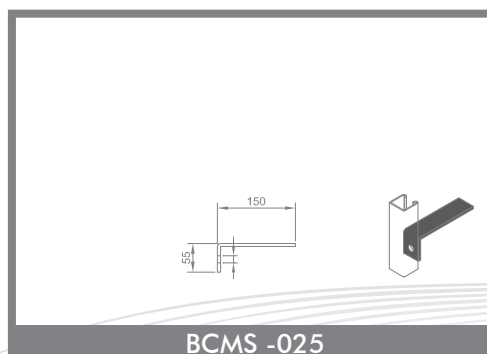
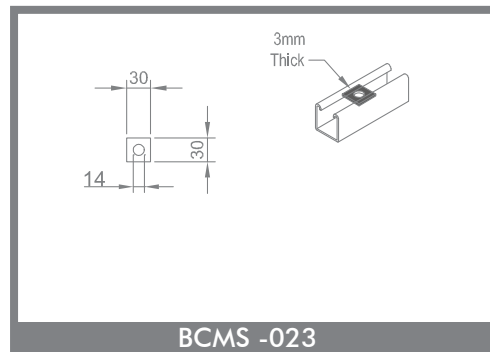
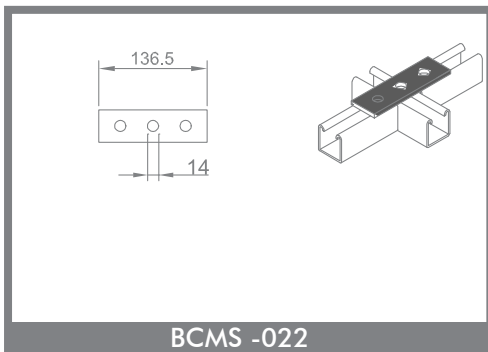
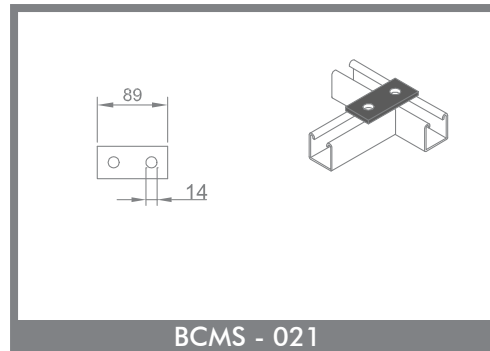
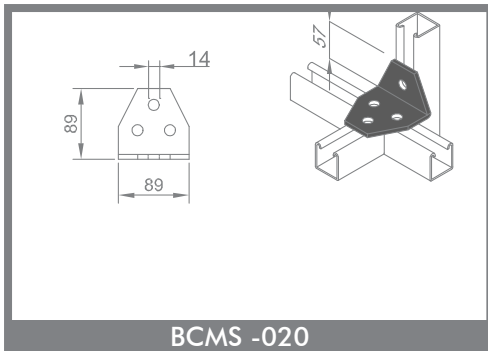
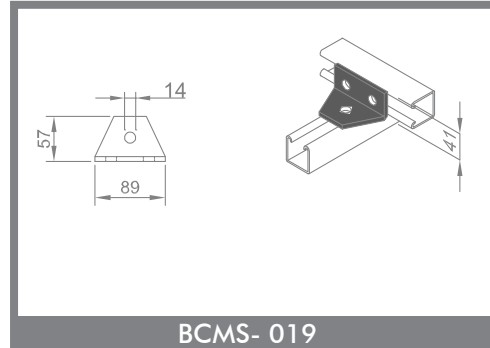
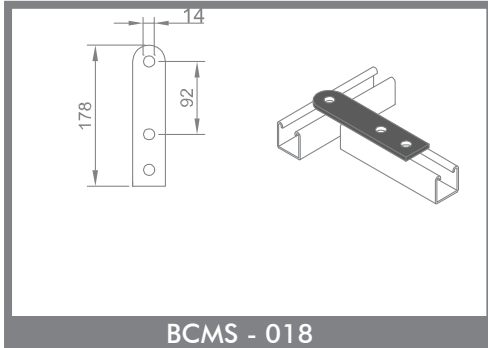
# BAHRA CABLE MANAGEMENT SYSTEM

## FIXING BRACKETS



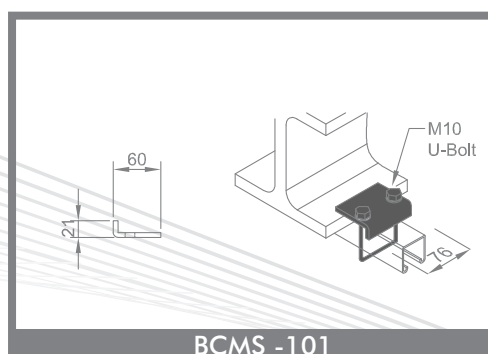
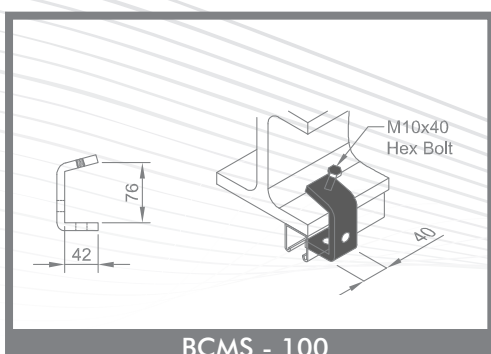
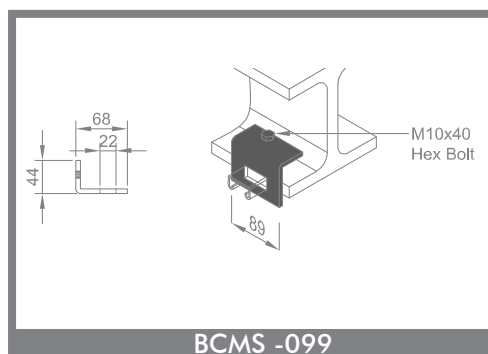
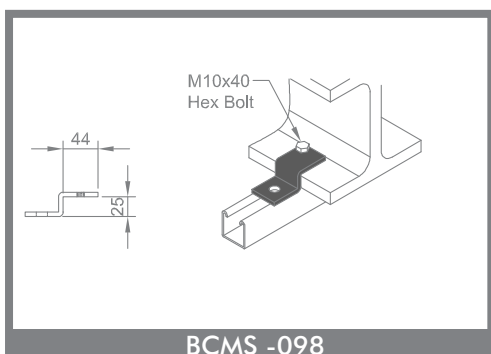
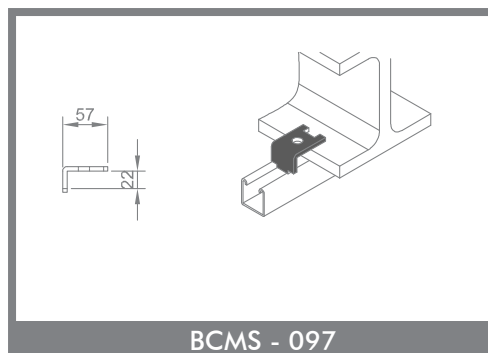
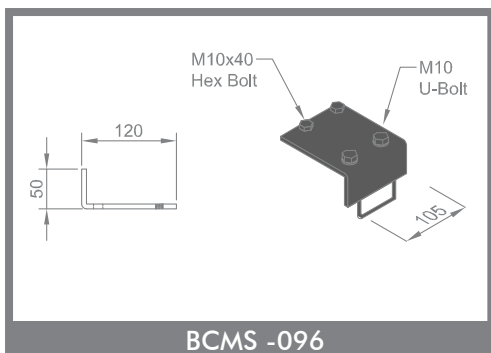
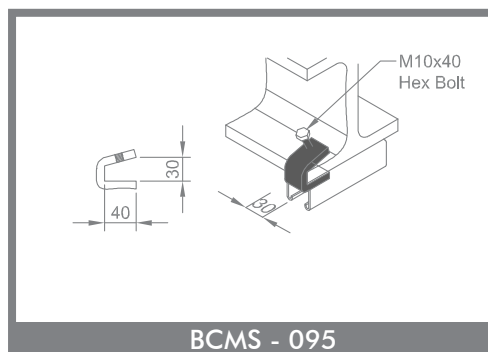
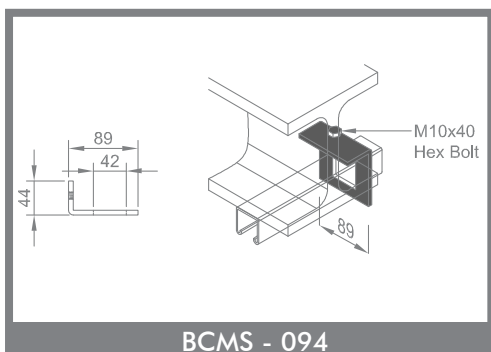
# BAHRA CABLE MANAGEMENT SYSTEM

## FIXING BRACKETS



# BAHRA CABLE MANAGEMENT SYSTEM

## FIXING BRACKETS

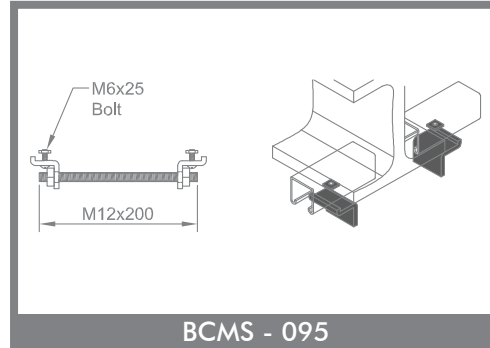
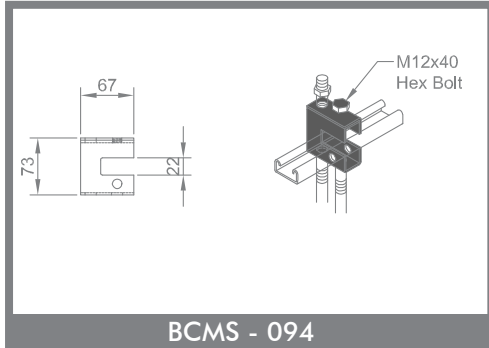




# BAHRA CABLE MANAGEMENT SYSTEM

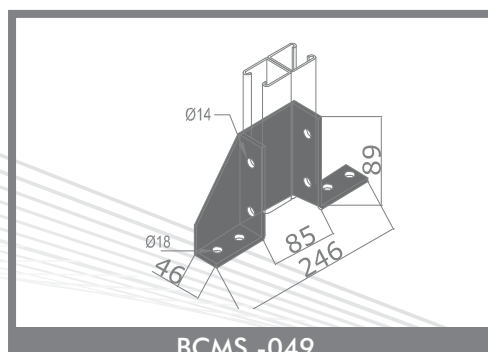
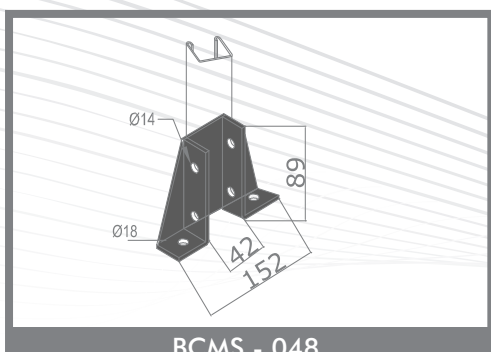
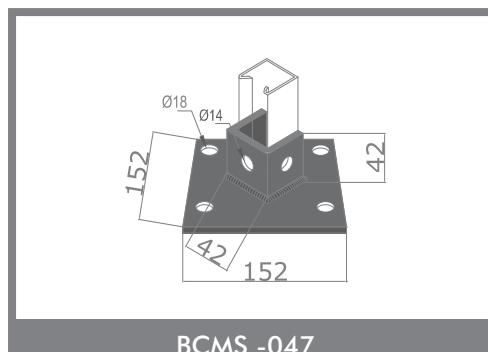
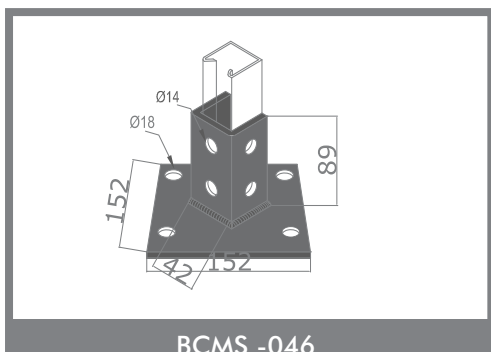
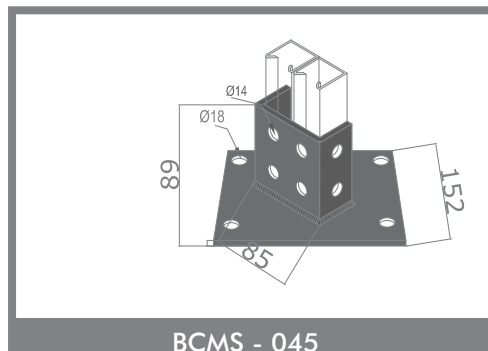
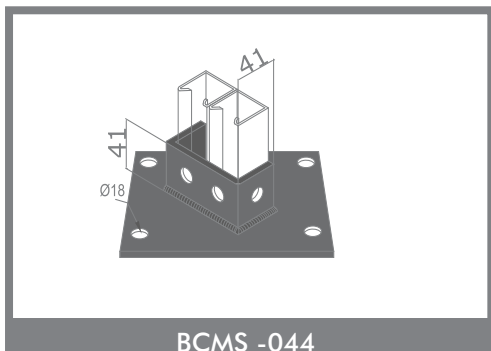
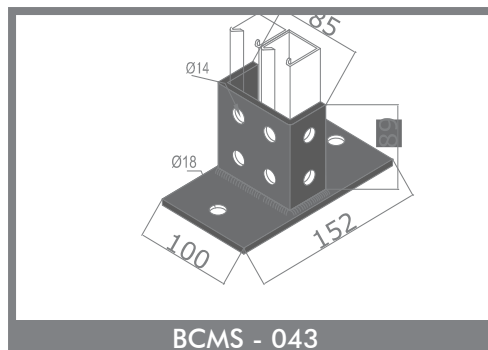
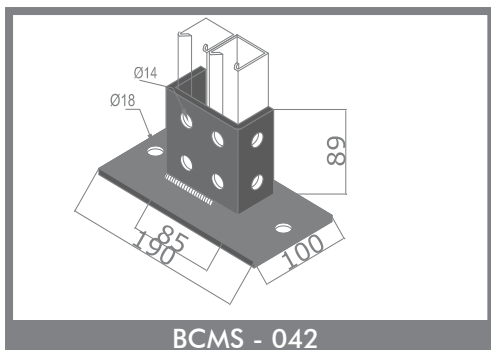
## FIXING BRACKETS

---



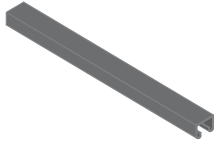
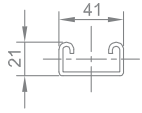
# BAHRA CABLE MANAGEMENT SYSTEM

## BASE PLATES



# BAHRA CABLE MANAGEMENT SYSTEM

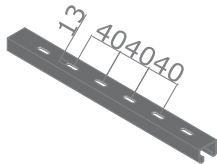
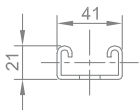
## C-CHANNEL



**BCMS -060**

US101	Unit	X-XAxis	Y-Y Axis
Moment of Inertia	mm <sup>4</sup>	11900	53400
Section Modulus	mm <sup>3</sup>	970	2590
Maximum Bending Moment	Kg-f-m	15.4	41

Length span (mm)	Uniform Load @1.75N/mm <sup>2</sup> (Kgs)	Deflection @1.75N/mm <sup>2</sup> (mm)	Deflection @1.75N/mm <sup>2</sup> (mm)	Uniform Load @ Mx.Def. 360/1span (Kgs)	Max Load of column loaded @plate side(kgs)	Max Load of column loaded @range side(kgs)
250	533	0.45	-	-	3993	1042
500	276	1.81	-	212	3379	995
750	184	4.07	169	94	2198	859
1000	138	7.24	95	53	1353	690
1250	110	11.32	61	33	896	548
1500	92	16.30	42	23	634	437
1750	79	22.19	31	-	471	353
2000	69	28.99	23	-	-	-



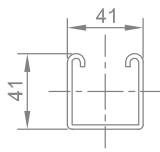
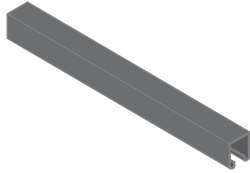
**BCMS -061**

US101	Unit	X-XAxis	Y-Y Axis
Moment of Inertia	mm <sup>4</sup>	9800	52900
Section Modulus	mm <sup>3</sup>	890	2590
Maximum Bending Moment	Kg-f-m	15.4	41

Length span (mm)	Uniform Load @1.75N/mm <sup>2</sup> (Kgs)	Deflection @1.75N/mm <sup>2</sup> (mm)	Deflection @1.75N/mm <sup>2</sup> (mm)	Uniform Load @ Mx.Def. 360/1span (Kgs)	Max Load of column loaded @plate side(kgs)	Max Load of column loaded @range side(kgs)
250	508	0.50	-	-	-	-
500	254	2.01	-	174	-	-
750	169	4.54	139	77	-	-
1000	127	8.07	78	43	-	-
1250	101	12.61	50	27	-	-
1500	84	18.17	34	-	-	-
1750	72	24.73	25	-	-	-
2000	63	32.30	0	-	-	-

# BAHRA CABLE MANAGEMENT SYSTEM

## C-CHANNEL

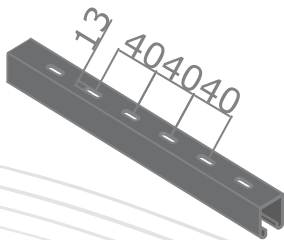
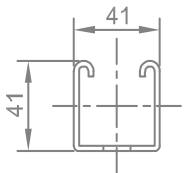


**BCMS -062**

US101	Unit	X-XAxis	Y-Y Axis
Moment of Inertia	mm <sup>4</sup>	9800	52900
Section Modulus	mm <sup>3</sup>	890	2590
Maximum Bending Moment	Kg-f-m	15.4	41

Length span (mm)	Uniform Load @1.75N/mm <sup>2</sup> (Kgs)	Deflection @1.75N/mm <sup>2</sup> (mm)	Deflection @1.75N/mm <sup>2</sup> (mm)	Uniform Load @Mx.Def. 360/1 span (Kgs)	Max Load of column loaded @plate side(kgs)	Max Load of column loaded @range side(kgs)
250	1769	0.23	-	-	5869	1693
500	884	0.95	-	-	5379	1650
750	589	2.15	-	571	4479	1554
1000	442	5.97	-	205	2556	1232
1250	353	12.61	50	27	-	-
1500	294	8.60	257	142	2020	1093
1750	252	11.70	188	104	1656	976
2000	221	15.29	144	80	1395	879
2250	196	19.35	114	63	1198	797
2500	176	23.89	92	51	1044	725
2750	160	28.91	76	42	919	663
3000	147	34.40	64	35	816	607



**BCMS -063**

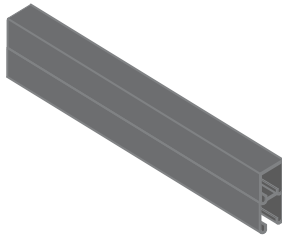
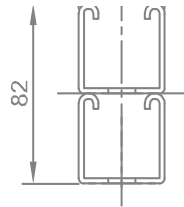
US101	Unit	X-XAxis	Y-Y Axis
Moment of Inertia	mm <sup>4</sup>	61000	91700
Section Modulus	mm <sup>3</sup>	2870	4440
Maximum Bending Moment	Kg-f-m	49.2	70.5

Length Span (mm)	Uniform Load @1.75N/mm <sup>2</sup> (Kgs)	Deflection @1.75N/mm <sup>2</sup> (mm)	Deflection @1.75N/mm <sup>2</sup> (mm)	Uniform Load @ Mx.Def. 360/1 span(Kgs)	Max Load of column loaded @plate side(kgs)	Max Load of column loaded @range side(kgs)
250	1638	0.27	-	-	5351	1660
500	819	1.05	-	-	5100	1635
750	546	2.35	-	483	4412	1557
1000	409	4.18	-	271	3284	1389
1250	327	6.54	313	174	2436	1211
1500	273	2.41	217	120	1899	1062
1750	234	12.81	159	88	1546	941
2000	204	16.73	122	67	1297	843
2250	182	21.18	96	53	1113	761
2500	163	26.15	78	43	970	691
2750	148	31.64	64	35	855	631
3000	136	37.66	64	30	761	678

# BAHRA CABLE MANAGEMENT SYSTEM

## C-CHANNEL

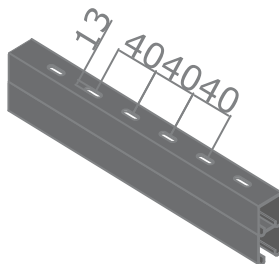
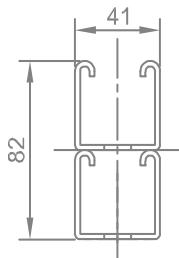


**BCMS -064**

US101	Unit	X-XAxis	Y-Y Axis
Moment of Inertia	mm <sup>4</sup>	428500	170000
Section Modulus	mm <sup>3</sup>	9640	8240
Maximum Bending Moment	Kg-f-m	147	132

Length Span (mm)	Uniform Load @1.75N/mm <sup>2</sup> (Kgs)	Deflection @1.75N/mm <sup>2</sup> (mm)	Deflection @1.75N/mm <sup>2</sup> (mm)	Uniform Load @Mx.Def. 360/1span(Kgs)	Max Load of column loaded @plate side(kgs)	Max Load of column loaded @range side(kgs)
250	-	-	-	-	7169	2053
500	-	-	-	174	6710	2013
750	1373	0.84	-	-	3820	1641
1000	1030	1.49	-	-	2260	1265
1250	824	2.34	-	-	1514	992
1500	686	3.37	-	-	1103	797
1750	588	4.58	-	-	852	657
2000	515	5.99	-	477	687	555
2250	457	7.58	-	377	573	478
2500	412	9.36	-	305	489	418
2750	374	11.33	-	252	426	371
3000	343	13.48	-	212	377	333



**BCMS -065**

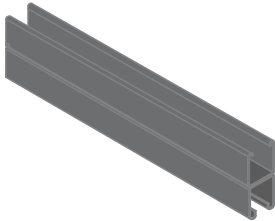
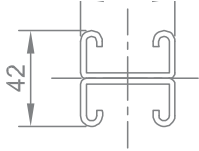
US101	Unit	X-XAxis	Y-Y Axis
Moment of Inertia	mm <sup>4</sup>	9800	52900
Section Modulus	mm <sup>3</sup>	890	2590
Maximum Bending Moment	Kg-f-m	15.4	41

Length Span (mm)	Uniform Load @1.75N/mm <sup>2</sup> (Kgs)	Deflection @1.75N/mm <sup>2</sup> (mm)	Deflection @1.75N/mm <sup>2</sup> (mm)	Uniform Load @ Mx.Def. 360/1span(Kgs)	Max Load of column loaded @plate side(kgs)	Max Load of column loaded @range side(kgs)
250	-	-	-	-	6705	2000
500	-	-	-	-	6412	1973
750	1284	0.89	-	-	4053	1674
1000	963	1.59	-	-	2415	1307
1250	770	2.48	-	-	1619	1032
1500	642	3.58	-	-	1179	834
1750	550	4.86	-	-	910	690
2000	481	6.36	-	420	733	583
2250	428	8.05	-	332	611	503
2500	428	9.93	-	269	522	441
2750	350	12.02	-	222	454	392
3000	321	14.31	-	187	402	352

# BAHRA CABLE MANAGEMENT SYSTEM

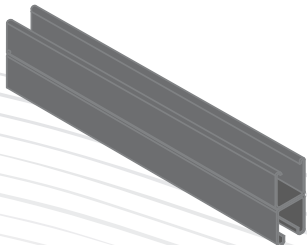
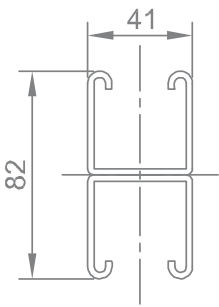
## C-CHANNEL



**BCMS-066**

US101	Unit	X-XAxis	Y-Y Axis
Moment of Inertia	mm <sup>4</sup>	56400	106800
Section Modulus	mm <sup>3</sup>	2730	5180
Maximum Bending Moment	Kg-f-m	43.4	82.1

Length Span (mm)	Uniform Load @1.75N/mm <sup>2</sup> (Kgs)	Deflection @1.75N/mm <sup>2</sup> (mm)	Deflection @1.75N/mm <sup>2</sup> (mm)	Uniform Load @ Mx.Def. 360/1span(Kgs)	Max Load of column loaded @plate side(kgs)	Max Load of column loaded @ range side(kgs)
250	1558	0.26	-	-	8228	1834
500	779	1.07	-	-	7740	1809
750	519	2.42	-	446	8865	1756
1000	389	4.30	-	251	5367	1639
1250	311	6.72	289	160	3882	1488
1500	259	9.68	201	111	2838	1289
1750	222	13.18	147	82	2143	1123
2000	194	17.21	113	62	1668	977
2260	173	21.79	89	49	1334	852
2500	155	26.90	72	40	1090	745
2750	141	32.55	59	33	906	655
3000	129	38.73	50	27	-	-



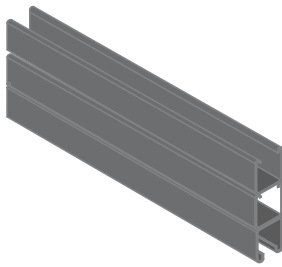
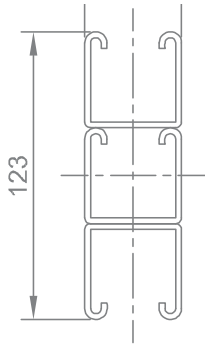
**BCMS-067**

US101	Unit	X-XAxis	Y-Y Axis
Moment of Inertia	mm <sup>4</sup>	428500	170000
Section Modulus	mm <sup>3</sup>	9640	8240
Maximum Bending Moment	Kg-f-m	147	132

Length Span (mm)	Uniform Load @1.75N/mm <sup>2</sup> (Kgs)	Deflection @1.75N/mm <sup>2</sup> (mm)	Deflection @1.75N/mm <sup>2</sup> (mm)	Uniform Load @ Mx.Def. 360/1 span(Kgs)	Max Load of column loaded @plate side(kgs)	Max Load of column loaded @range side(kgs)
250	-	-	-	-	7169	2053
500	-	-	-	174	6710	2013
750	1373	0.84	-	-	3820	1641
1000	1030	1.49	-	-	2260	1265
1250	824	2.34	-	-	1514	992
1500	686	3.37	-	-	1103	797
1750	588	4.58	-	-	852	657
2000	515	5.99	-	477	687	555
2250	457	7.58	-	377	573	478
2500	412	9.36	-	305	489	418
2750	374	11.33	-	252	426	371
3000	343	13.48	-	212	377	333

# BAHRA CABLE MANAGEMENT SYSTEM

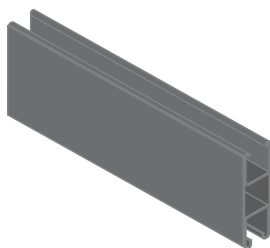
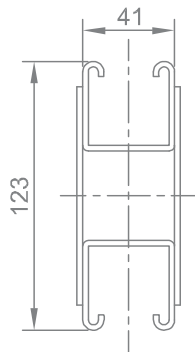
## C-CHANNEL



FAME -068

US101	Unit	X-XAxis	Y-Y Axis
Moment of Inertia	mm <sup>4</sup>	9800	52900
Section Modulus	mm <sup>3</sup>	890	2590
Maximum Bending Moment	Kg-f-m	15.4	41

Length Span (mm)	Uniform Load @1.75N/mm <sup>2</sup> (Kgs)	Deflection @1.75N/mm <sup>2</sup>	Deflection @1.75N/mm <sup>2</sup>	Uniform Load @ Mx.Def. 360/1span(Kgs)	Max Load of column loaded @plate side(kgs)	Max Load of column loaded @range side(kgs)
250	-	-	-	-	6705	2000
500	-	-	-	-	6412	1973
750	1284	0.89	-	-	4053	1674
1000	963	1.59	-	-	2415	1307
1250	770	2.48	-	-	1619	1032
1500	642	3.58	-	-	1179	834
1750	550	4.86	-	-	910	690
2000	481	6.36	-	420	733	583
2250	428	8.05	-	332	611	503
2500	428	9.93	-	269	522	441
2750	350	12.02	-	222	454	392
3000	321	14.31	-	187	402	352



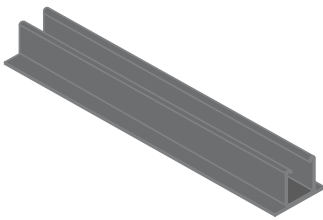
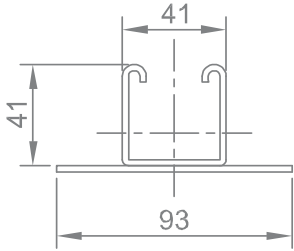
FAME -069

US101	Unit	X-XAxis	Y-Y Axis
Moment of Inertia	mm <sup>4</sup>	156900	421500
Section Modulus	mm <sup>3</sup>	25300	18210
Maximum Bending Moment	Kg-f-m	36.7	19.0

Length Span (mm)	Uniform Load @1.75N/mm <sup>2</sup> (Kgs)	Deflection @1.75N/mm <sup>2</sup> (mm)	Deflection @1.75N/mm <sup>2</sup> (mm)	Uniform Load @ Mx.Def. 360/1span(Kgs)	Max Load of column loaded @plate side(kgs)	Max Load of column loaded @range side(kgs)
250	-	-	-	-	20764	5389
500	-	-	-	-	20478	5370
750	-	-	-	-	19794	5322
1000	-	-	-	-	18876	5253
1250	-	-	-	-	17527	5143
1500	-	-	-	-	15583	4961
1750	2063	4.39	-	-	13239	4696
2000	1805	5.73	-	1748	10982	4377
2250	1604	7.25	-	1381	9088	041
2500	1444	8.96	-	1119	7578	3712
2750	1312	10.84	-	924	6388	3402
3000	1203	12.90	-	777	5445	3115

# BAHRA CABLE MANAGEMENT SYSTEM

## FIXING BRACKETS

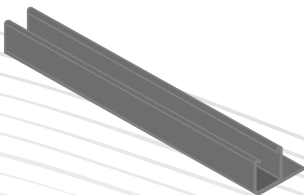
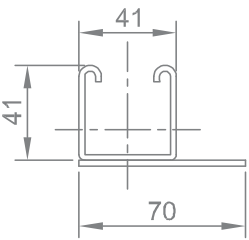


**BCMS -070**

US101	Unit	X-XAxis	Y-Y Axis
Moment of Inertia	mm <sup>4</sup>	123200	259800
Section Modulus	mm <sup>3</sup>	3840	4660
Maximum Bending Moment	Kg-f-m	15.0	17.7

Length Span (mm)	Uniform Load @1.75N/mm <sup>2</sup> (Kgs)	Deflection @1.75N/mm <sup>2</sup> (mm)	Deflection @1.75N/mm <sup>2</sup> (mm)	Uniform Load @ Mx.Def. 360/1span(Kgs)	Max Load of column loaded @plate side(kgs)	Max Load of column loaded @range side(kgs)
250	2192	0.17	-	-	-	-
500	1096	0.69	-	-	-	-
750	730	1.55	-	-	-	-
1000	548	2.77	-	-	-	-
1250	438	4.33	-	351	-	-
1500	365	8.23	-	244	-	-
1750	313	8.48	-	179	-	-
2000	274	11.08	247	137	-	-
2250	243	14.03	195	108	-	-
2500	219	17.32	158	87	-	-
2750	199	20.96	130	72	-	-
3000	182	24.94	109	61	-	-



**BCMS -071**

US101	Unit	X-XAxis	Y-Y Axis
Moment of Inertia	mm <sup>4</sup>	114900	187400
Section Modulus	mm <sup>3</sup>	3760	4060
Maximum Bending Moment	Kg-f-m	15.1	16.6

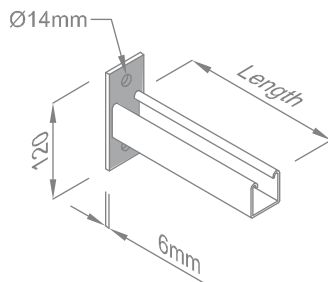
  

Length Span (mm)	Uniform Load @1.75N/mm <sup>2</sup> (Kgs)	Deflection @1.75N/mm <sup>2</sup> (mm)	Deflection @1.75N/mm <sup>2</sup> (mm)	Uniform Load @ Mx.Def. 360/1span(Kgs)	Max Load of column loaded @plate side(kgs)	Max Load of column loaded @range side(kgs)
250	2146	0.18	-	-	-	-
500	1073	0.72	-	-	-	-
750	715	1.63	-	-	-	-
1000	536	2.90	-	512	-	-
1250	429	4.54	-	327	-	-
1500	357	6.54	-	227	-	-
1750	306	8.91	301	167	-	-
2000	268	11.63	230	128	-	-
2250	238	14.73	182	101	-	-
2500	214	18.18	147	81	-	-
2750	195	22.00	121	67	-	-
3000	178	26.18	102	56	-	-

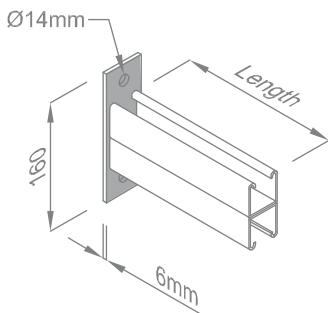


# BAHRA CABLE MANAGEMENT SYSTEM

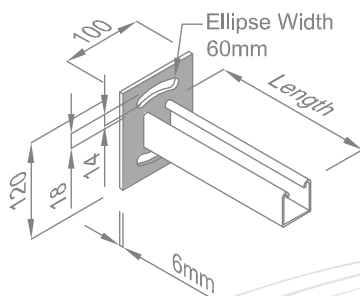
## CANTILEVER ARMS



**BCMS-081**



**BCMS-082**



**BCMS-083**

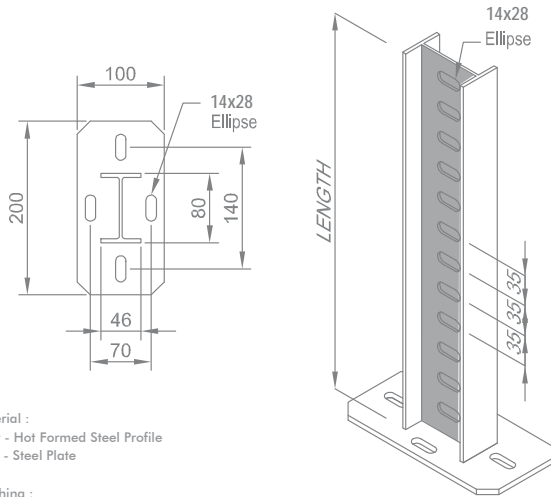
Code & Size	Length (mm)	Wright (Kg/pc)	U Load (Kgf)
CS 201 - 150	150	0.63	722
CS 201 - 200	200	0.77	593
CS 201 - 250	250	0.9	485
CS 201 - 300	300	1.03	378
CS 201 - 350	350	1.17	325
CS 201 - 400	400	1.3	266
CS 201 - 450	450	1.43	236
CS 201 - 500	500	1.57	224
CS 201 - 550	550	1.7	204
CS 201 - 600	600	1.83	184
CS 201 - 650	650	1.96	170
CS 201 - 700	700	2.1	158
CS 201 - 750	750	2.23	145

Code & Size	Length (mm)	Wright (Kg/pc)	U Load (Kgf)
CS 202 - 150	150	1.11	722
CS 202 - 200	200	1.38	593
CS 202 - 250	250	1.64	485
CS 202 - 300	300	1.91	378
CS 202 - 350	350	2.18	325
CS 202 - 400	400	2.44	266
CS 202 - 450	450	2.71	236
CS 202 - 500	500	2.97	224
CS 202 - 550	550	3.24	204
CS 202 - 600	600	3.51	184
CS 202 - 650	650	3.77	170
CS 202 - 700	700	4.3	158
CS 202 - 750	750	4.57	145
CS 202 - 800	800	4.57	237
CS 202 - 850	850	4.83	224
CS 202 - 900	900	5.1	212

Code & Size	Length (mm)	Wright (Kg/pc)	U Load (Kgf)
CS 203 - 150	150	0.87	480
CS 203 - 200	200	1.0	441
CS 203 - 250	250	1.14	402
CS 203 - 300	300	1.27	363
CS 203 - 350	350	1.4	325
CS 203 - 400	400	1.53	286
CS 203 - 450	450	1.67	247
CS 203 - 500	500	1.6	224
CS 203 - 550	550	1.93	204
CS 203 - 600	600	2.07	184

# BAHRA CABLE MANAGEMENT SYSTEMS

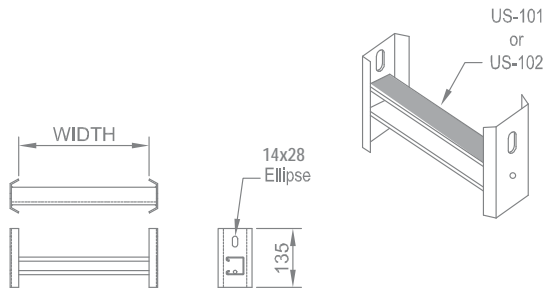
## HANGING1 - SUPPORT & BRACKETS



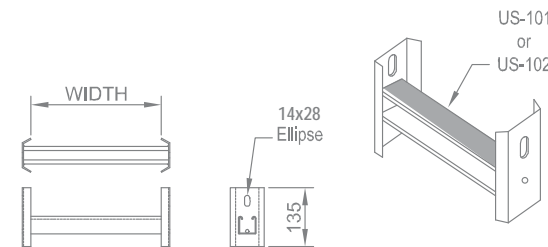
Material :  
 Body - Hot Formed Steel Profile  
 Base - Steel Plate

Finishing :  
 Hot Dip Galvanize according to British Standard EN ISO 1461 :1999

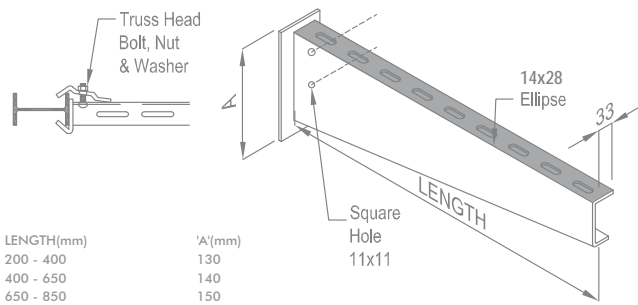
**BCMS -114**



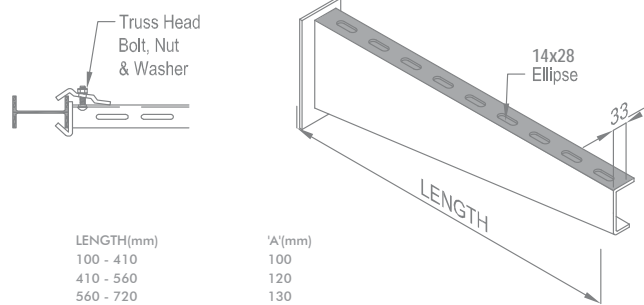
**BCMS -115**



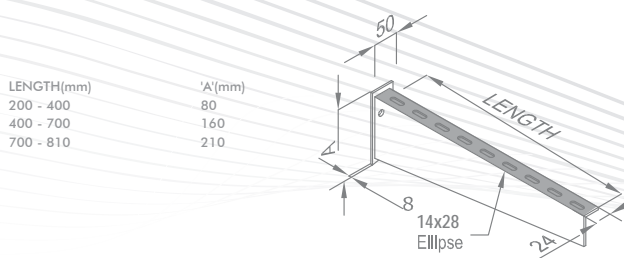
**BCMS -116**



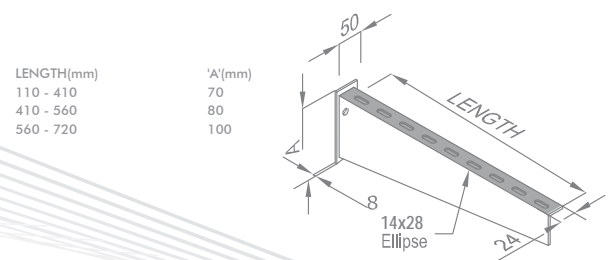
**BCMS -117**



**BCMS-118**



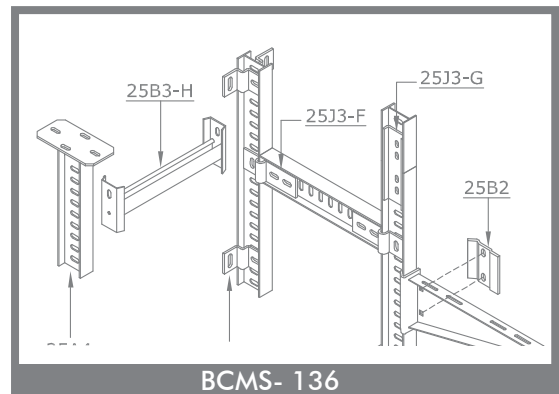
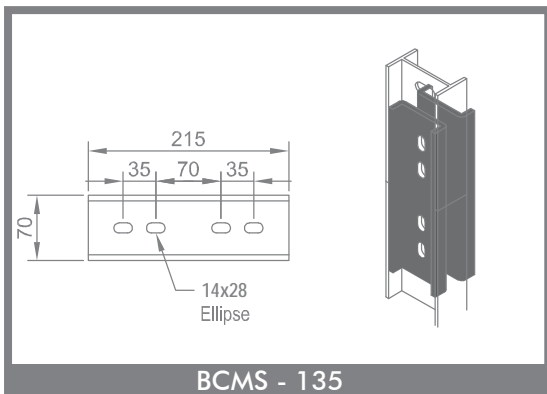
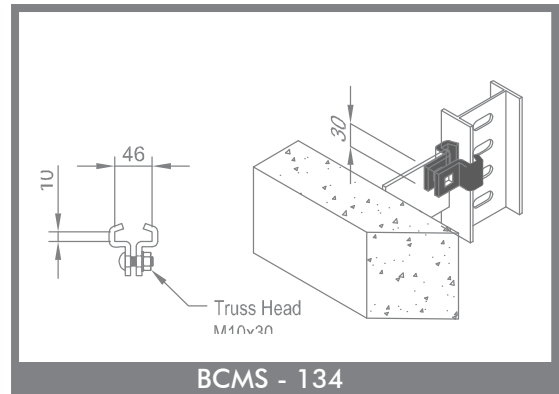
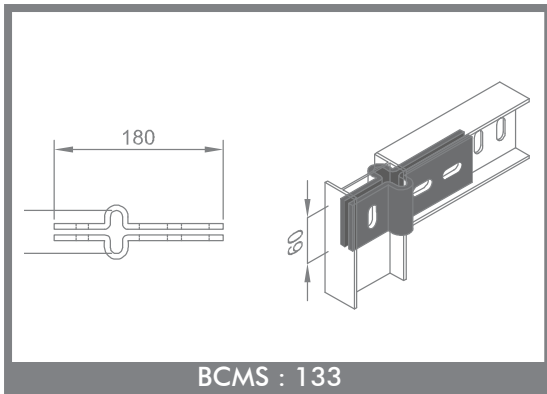
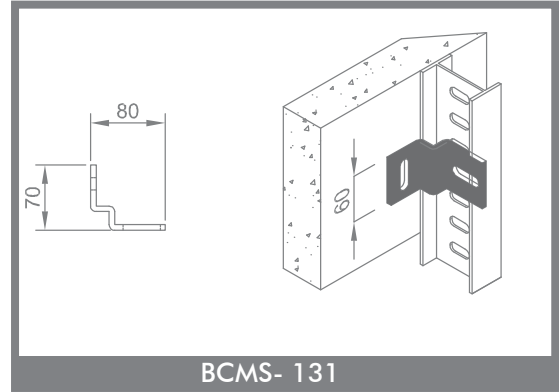
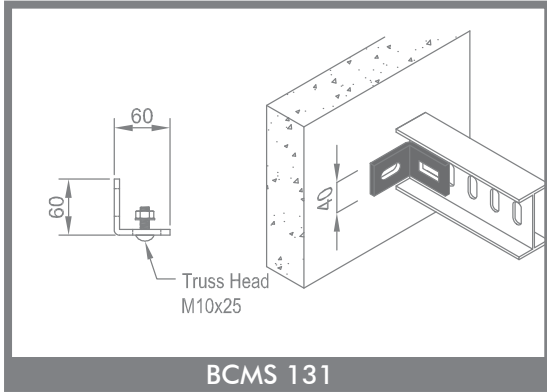
**BCMS -119**



**BCMS -120**

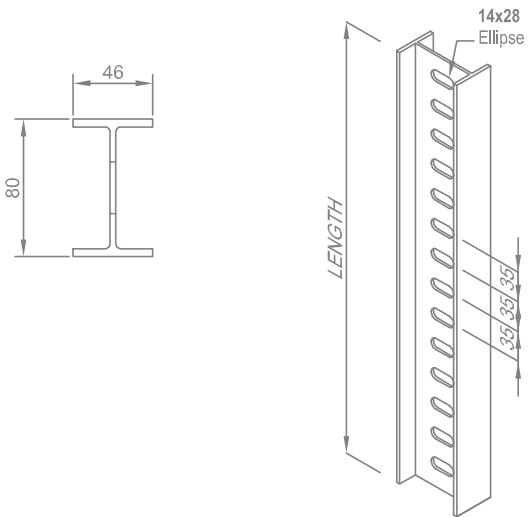
# BAHRA CABLE MANAGEMENT SYSTEM

## JOINTING MATERIALS

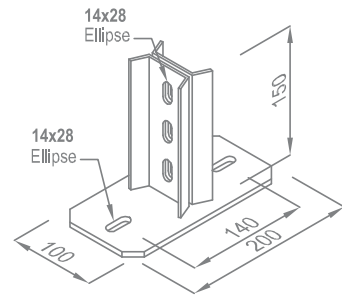


# BAHRA CABLE MANAGEMENT SYSTEM

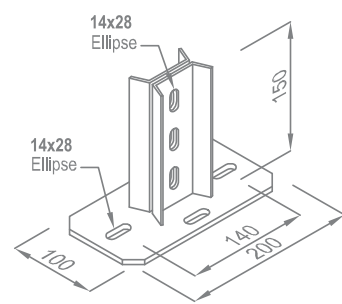
## 1- SUPPORT & HEAD PLATES



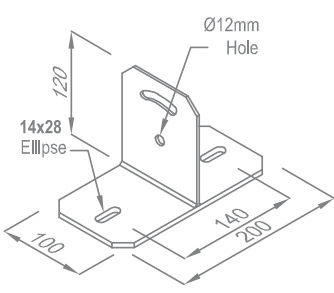
**BCMS -146**



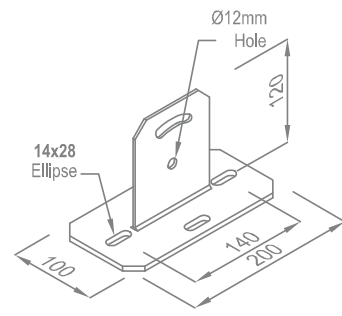
**BCMS -147**



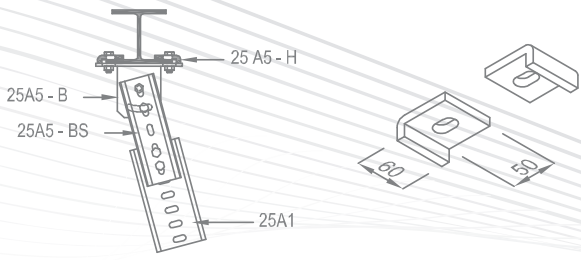
**BCMS -148**



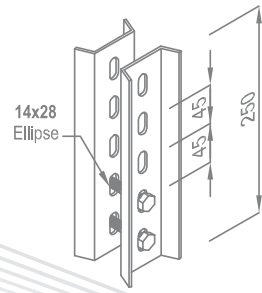
**BCMS-149**



**BCMS -150**



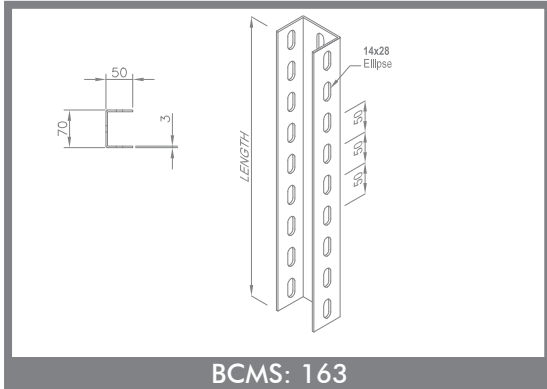
**BCMS -151**



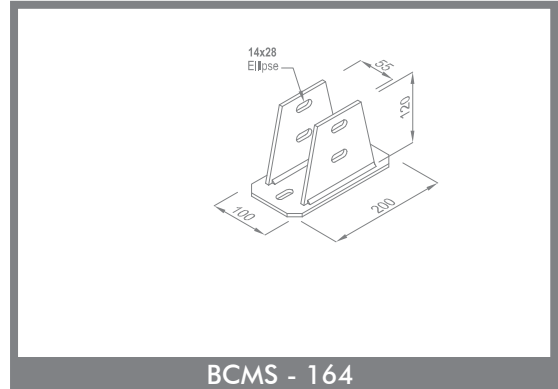
**BCMS -152**

# BAHRA CABLE MANAGEMENT SYSTEM

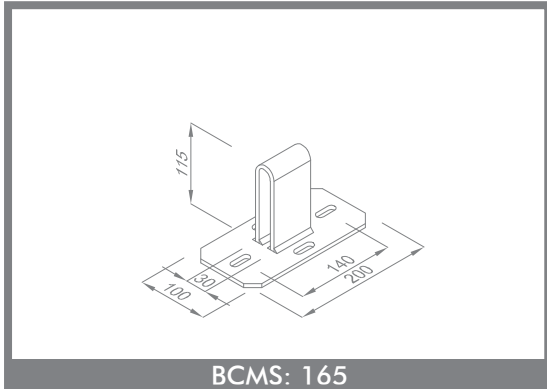
## U-SUPPORT & ACCESSORIES



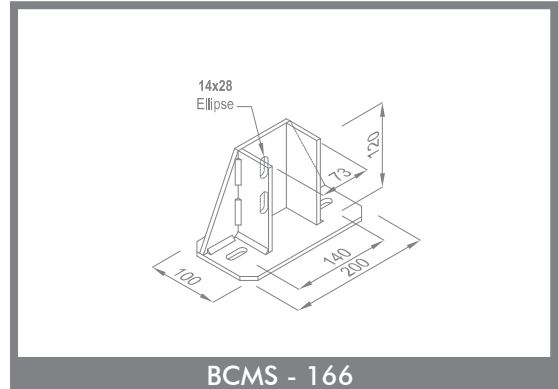
BCMS: 163



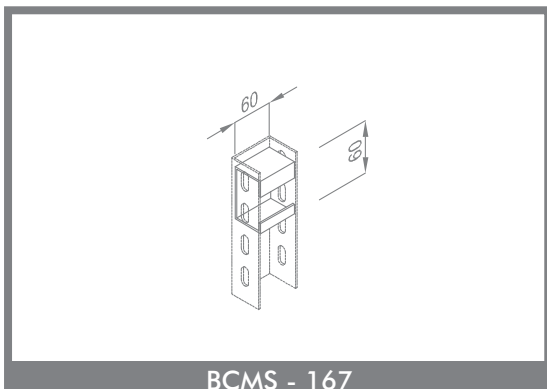
BCMS - 164



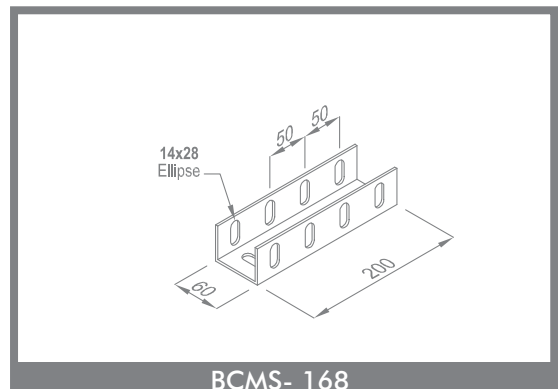
BCMS: 165



BCMS - 166



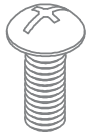
BCMS - 167



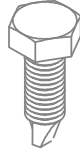
BCMS- 168

# BAHRA CABLE MANAGEMENT SYSTEM

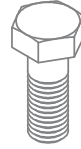
## HARDWARES



PRB - SIZE



HPB -M10X30 - CONF



HB - M10X30 - GF



HN - M10 - GF

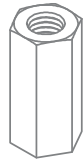
HW07 - PLAIN



HW07A - LOCK



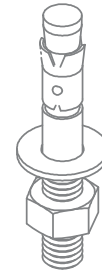
FW - M10 - GF



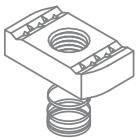
TRC - M10 - GI



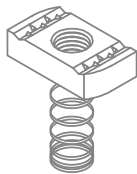
TR - M 10X3M - GI



AB - M10 10X50 X GF



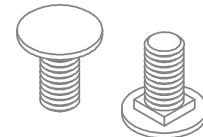
SSN - M6 - GF



RSN-M6 -GI



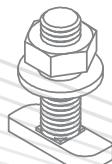
DIA -M10 - GF



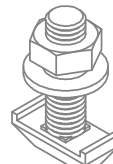
THB - M10X30 - GF



HHB1 - M10X30 - GF



HHB2 - M10 X30 - GI



HHB3 - M10 X30 - GI

Reference :

**HW01-M10x35-SS316**

Hex Bolt  
Bolt Size

Material : G.I, HDG,  
SS316, SS304

On order Specify Type,  
Size, and/or Length and  
Material of the requested  
item.

# LOCATION MAP



**Bahra Advanced Cable Manufacture Co. Ltd.**

ص.ب. ٥٩٨٩ جدة ٢١٤٣٢، المملكة العربية السعودية، هاتف: ١١١٥ ٩٦٦١٢ ٥٩١ فاكس: ٥٦٨٣ ٩٦٦١٢ ٥٩١  
P O Box 5989, Jeddah 21432, Saudi Arabia, Tel: +966 12 591 1115, Fax: +966 12 591 5683  
[sales@bahra-cables.com](mailto:sales@bahra-cables.com)

**CUSTOMER SERVICE: +966 92 001 1127 / 800 124 8111**

Member of **CPC** Group  
"Your Complete Building Solution"