

AE LB Series 65 kAIC Bolted Motor Starters and Contactors

Explosionproof, Dust-Ignitionproof, Watertight

Full Voltage. Combination and Non-Combination.

NEC:

Class I, Division 1 and 2, Groups C, D
Class I, Zone 1 and 2, Groups IIB
Class II, Division 1 and 2, Groups E, F, G
Class III
NEMA 4, 4X, 7CD, 9EFG

Application

- Combination and non-combination motor starters are used in areas where hazardous materials are handled or stored.
- These units provide disconnecting means, undervoltage protection, circuit protection, and motor running protection.

Features

- 65,000 AIC. Highest interrupt rated enclosure in the industry.
- Copperfree cast aluminum.
- Precision machined flame path between box and cover.
- Bolt on slotted mounting feet.
- Stainless steel, captive Quad-Lead® cover bolts (disengage in 1-1/2 turns).
- External stainless steel breaker operating handle.
- Ground lug package and installation instructions for termination of ground wire enclosed.
- Four point control terminal block, NEMA 1B with wire markers.
- Breaker operators can be locked in the ON or OFF position (combination starters only).
- Four plugged 3/4" NPSM outlets drilled and tapped for control devices.
- Standard outlets top and bottom.
- Plugged 1/2" outlets top and bottom for optional breather/drain.
- Components are mounted on a galvanized steel removable pan.
- Enclosures are designed to accept Cutler-Hammer ①, or Square D ■ motor starters/circuit breakers. For other manufacturers, contact your local representative.
- O-ring gasket insures watertight integrity.

Standard Materials

- Bodies and covers: copperfree (4/10 of 1%) aluminum
- Block hinges, cover bolts, handle, breaker and operator shafts: stainless steel
- O-ring: neoprene

Standard Finish

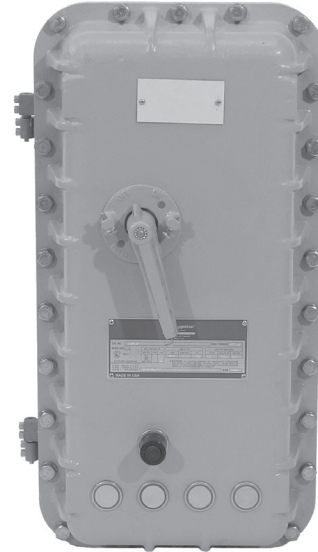
- Corrosion resistant gray powder coat epoxy inside and out

Options

- See options table.

NEC Certifications and Compliances

- UL Standards: UL 50, UL 1203
- UL Classified: E84577



CONTROLS: NEC/CEC EXPLOSIONPROOF MOTOR STARTERS

APPLETON™

① Cutler-Hammer is a registered trademark of Eaton Corporation.

■ Square D is a registered trademark of Schneider Electric.

AELB Series 65 kAIC Bolted Motor Starters and Contactors

Explosionproof, Dust-Ignitionproof, Watertight

Full Voltage. Combination and Non-Combination.

NEC:

Class I, Division 1 and 2, Groups C, D
 Class I, Zone 1 and 2, Groups IIB
 Class II, Division 1 and 2, Groups E, F, G
 Class III
 NEMA 4, 4X, 7CD, 9EFG

Catalog Numbering Guide

Example: The part number below depicts an Appleton, Class I, Division I, Groups C and D, NEMA Size 1, Bolted type, Combination Full Voltage Nonreversing Motor Starter operating at 480 Vac, Cutler-Hammer □ starter w/120 Vac control voltage, and a Cutler-Hammer 7A MCP.

If a breaker is not required, omit last two characters.

CONTROLS: NEC/CEC EXPLOSIONPROOF MOTOR STARTERS

<p>AEL NEC Certified AEL Series</p>	<p>B Enclosure Type: B Series</p>	<p>B</p>	<p>B</p>	<p>4</p>	<p>W</p>	<p>1 Control Voltage (120 V coil standard): 1 - 120 Vac 2 - 240 Vac 3 - 380 Vac 4 - 480 Vac 8 - 480 V Coil/120 V Control 9 - 208 Vac 0 - 277 Vac</p>	<p>C</p>	<p>2</p>	<p>□ NEMA Size: 0 1 2 3 4 5</p>	<p>□ Suffix for Options: See Options Table</p>																																										
<table border="1" style="width: 100%; border-collapse: collapse; text-align: center;"> <thead> <tr> <th>Type</th> <th>Non-Combo</th> <th>Combo</th> <th>Enclosure Size</th> </tr> </thead> <tbody> <tr> <td>NEMA Size</td> <td>0, 1, 2</td> <td>—</td> <td>A</td> </tr> <tr> <td></td> <td>3</td> <td>0, 1, 2</td> <td>B</td> </tr> <tr> <td></td> <td>4</td> <td>3, 4</td> <td>F</td> </tr> <tr> <td></td> <td>5</td> <td>5</td> <td>L</td> </tr> </tbody> </table>				Type	Non-Combo	Combo	Enclosure Size	NEMA Size	0, 1, 2	—	A		3	0, 1, 2	B		4	3, 4	F		5	5	L	<p>Operating Voltage: 1 - 120 Vac 2 - 240 Vac 3 - 380 Vac 4 - 480 Vac 9 - 208 Vac</p>	<p>Breaker Manufacturer: ③ C - Cutler-Hammer S - Square D</p>																											
Type	Non-Combo	Combo	Enclosure Size																																																	
NEMA Size	0, 1, 2	—	A																																																	
	3	0, 1, 2	B																																																	
	4	3, 4	F																																																	
	5	5	L																																																	
<p>Starter Function: A - FVNR (ATL) B - Combination FVNR M - Lighting Contactor (3- thru 12-pole) ① N - Combination Lighting Contactor (3- thru 12-pole) ①</p> <p>Optional Starter Function ②: C - FVR D - Combination FVR E - 2S1W F - Comb. 2S1W G - 2S2W H - Combination 2S2W J - Contactor (3 pole) K - Combination Contactor (3-pole)</p>				<p>Starter Manufacturer: ③ W - Standard; Eaton/Cutler-Hammer (A200) C - Freedom (AN16) Bi Metal; Eaton/Cutler-Hammer A - Freedom (AN19) Electronic; Eaton/Cutler-Hammer S - Square D</p>	<p>MCP or Breaker Trip:</p> <table border="0" style="width: 100%;"> <tr> <td style="width: 50%;">MCP:</td> <td style="width: 50%;">Breaker Trip (Thermal Mag):</td> </tr> <tr> <td>1 - 3 Amp</td> <td>A - 15 Amp</td> </tr> <tr> <td>2 - 7 Amp</td> <td>B - 20 Amp</td> </tr> <tr> <td>3 - 15 Amp</td> <td>C - 25 Amp</td> </tr> <tr> <td>4 - 30 Amp</td> <td>D - 30 Amp</td> </tr> <tr> <td>5 - 50 Amp</td> <td>E - 35 Amp</td> </tr> <tr> <td>6 - 70 Amp</td> <td>F - 40 Amp</td> </tr> <tr> <td>7 - 100 Amp</td> <td>G - 50 Amp</td> </tr> <tr> <td>8 - 150 Amp</td> <td>H - 60 Amp</td> </tr> <tr> <td>9 - 250 Amp</td> <td>J - 70 Amp</td> </tr> <tr> <td>0 - 400 Amp</td> <td>K - 80 Amp</td> </tr> <tr> <td></td> <td>M - 90 Amp</td> </tr> <tr> <td></td> <td>N - 100 Amp</td> </tr> <tr> <td></td> <td>P - 125 Amp</td> </tr> <tr> <td></td> <td>Q - 150 Amp</td> </tr> <tr> <td></td> <td>R - 175 Amp</td> </tr> <tr> <td></td> <td>S - 200 Amp</td> </tr> <tr> <td></td> <td>T - 225 Amp</td> </tr> <tr> <td></td> <td>U - 250 Amp</td> </tr> <tr> <td></td> <td>V - 300 Amp</td> </tr> <tr> <td></td> <td>W - 350 Amp</td> </tr> <tr> <td></td> <td>X - 400 Amp</td> </tr> </table>				MCP:	Breaker Trip (Thermal Mag):	1 - 3 Amp	A - 15 Amp	2 - 7 Amp	B - 20 Amp	3 - 15 Amp	C - 25 Amp	4 - 30 Amp	D - 30 Amp	5 - 50 Amp	E - 35 Amp	6 - 70 Amp	F - 40 Amp	7 - 100 Amp	G - 50 Amp	8 - 150 Amp	H - 60 Amp	9 - 250 Amp	J - 70 Amp	0 - 400 Amp	K - 80 Amp		M - 90 Amp		N - 100 Amp		P - 125 Amp		Q - 150 Amp		R - 175 Amp		S - 200 Amp		T - 225 Amp		U - 250 Amp		V - 300 Amp		W - 350 Amp		X - 400 Amp
MCP:	Breaker Trip (Thermal Mag):																																																			
1 - 3 Amp	A - 15 Amp																																																			
2 - 7 Amp	B - 20 Amp																																																			
3 - 15 Amp	C - 25 Amp																																																			
4 - 30 Amp	D - 30 Amp																																																			
5 - 50 Amp	E - 35 Amp																																																			
6 - 70 Amp	F - 40 Amp																																																			
7 - 100 Amp	G - 50 Amp																																																			
8 - 150 Amp	H - 60 Amp																																																			
9 - 250 Amp	J - 70 Amp																																																			
0 - 400 Amp	K - 80 Amp																																																			
	M - 90 Amp																																																			
	N - 100 Amp																																																			
	P - 125 Amp																																																			
	Q - 150 Amp																																																			
	R - 175 Amp																																																			
	S - 200 Amp																																																			
	T - 225 Amp																																																			
	U - 250 Amp																																																			
	V - 300 Amp																																																			
	W - 350 Amp																																																			
	X - 400 Amp																																																			

① Standard starter is manufactured by Square D; electrically operated, electrically held. Optional starter manufacture is ASCO; electrically operated, mechanically held. Contact your local sales representative for details.

② Contact your local sales representative for details.

③ Contact your local sales representative for manufactures (Allen Bradley, Sprecher and Schuh, Siemens, GE).

AE LB Series 65 kAIC Bolted Motor Starters and Contactors

Explosionproof, Dust-Ignitionproof, Watertight

Full Voltage. Combination and Non-Combination.

NEC:

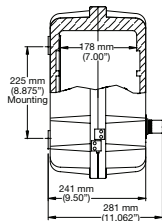
- Class I, Division 1 and 2, Groups C, D
- Class I, Zone 1 and 2, Groups IIB
- Class II, Division 1 and 2, Groups E, F, G
- Class III
- NEMA 4, 4X, 7CD, 9EFG

Full Voltage Nonreversing

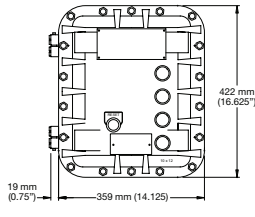
NEMA Size	Approximate Weight kg (lb)	Standard Conduit (Inches)	Mounting Hardware Set Catalog Number ▲
0	36 (80)	1-1/2	AMH7
1	36 (80)		
2	39 (85)		
3	64 (140)	2	AMH8
4	64 (140)	2-1/2	
5	227 (500)	4	

Dimensions in Millimeters (Inches) – Starter Only

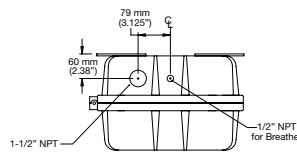
Enclosure Layout for Size 0, 1 and 2 – Starter Only



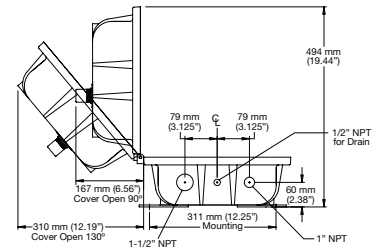
Left Side View



Front View

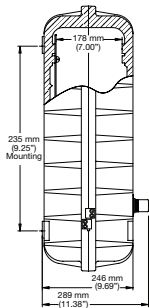


Top View

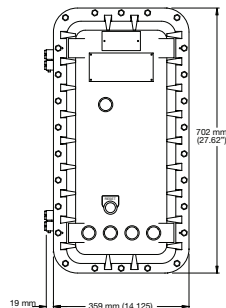


Bottom View

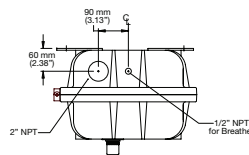
Enclosure Layout for Size 3 – Starter Only



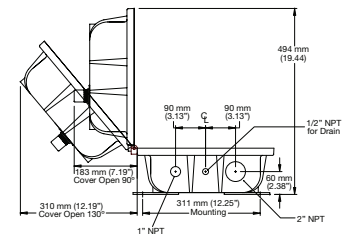
Left Side View



Front View



Top View



Bottom View

▲ To complete the catalog number please add the appropriate suffix for other options/features. Suffixes, see AEB Series Motor Starters Modifications.

CONTROLS: NEC/CEC EXPLOSIONPROOF MOTOR STARTERS

APPLETON™

AELB Series 65 kAIC Bolted Motor Starters and Contactors

Explosionproof, Dust-Ignitionproof, Watertight

Full Voltage. Combination and Non-Combination.

NEC:

Class I, Division 1 and 2, Groups C, D

Class I, Zone 1 and 2, Groups IIB

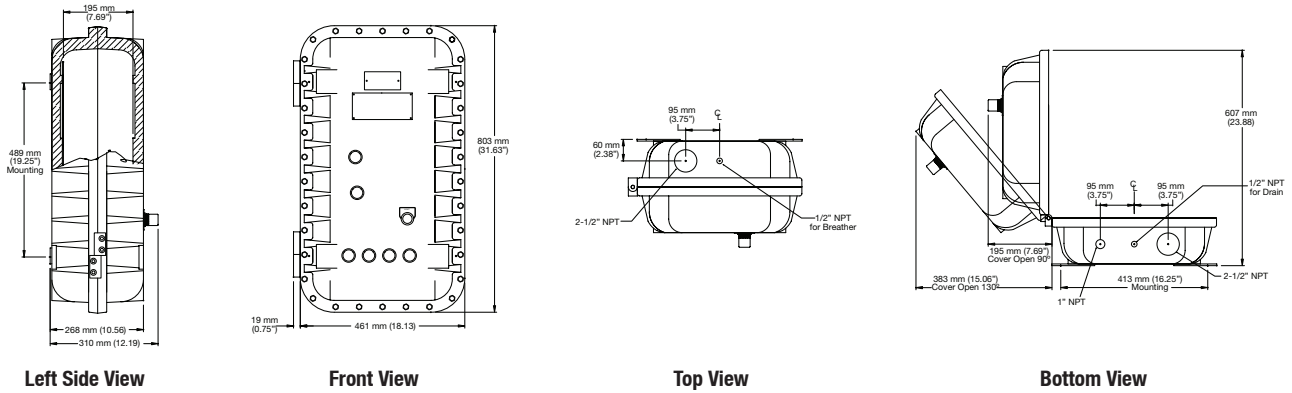
Class II, Division 1 and 2, Groups E, F, G

Class III

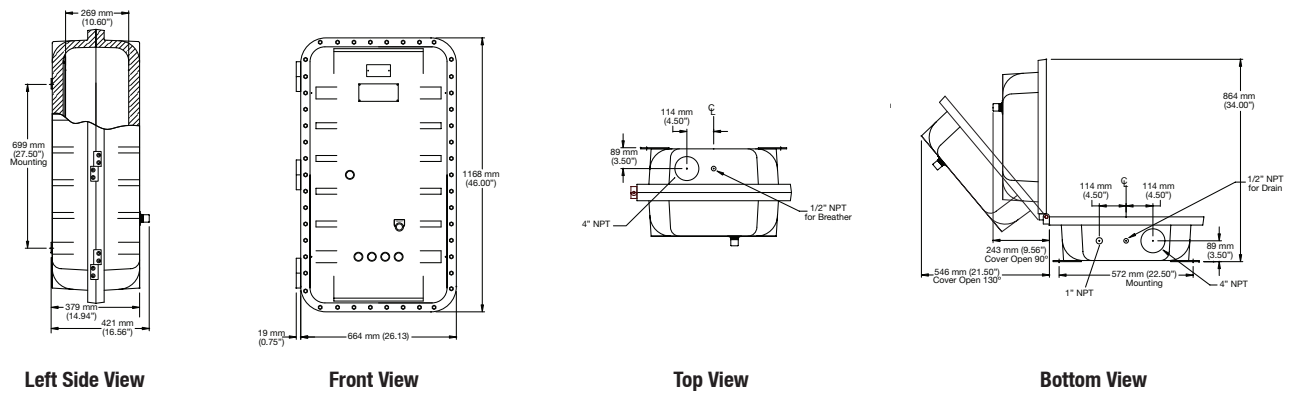
NEMA 4, 4X, 7CD, 9EFG

Dimensions in Millimeters (Inches) – Starter Only

Enclosure Layout for Size 4 – Starter Only



Enclosure Layout for Size 5 – Starter Only



CONTROLS: NEC/CEC EXPLOSIONPROOF MOTOR STARTERS

APPLETON

AE LB Series 65 kAIC Bolted Motor Starters and Contactors

Explosionproof, Dust-Ignitionproof, Watertight

Full Voltage. Combination and Non-Combination.

NEC:

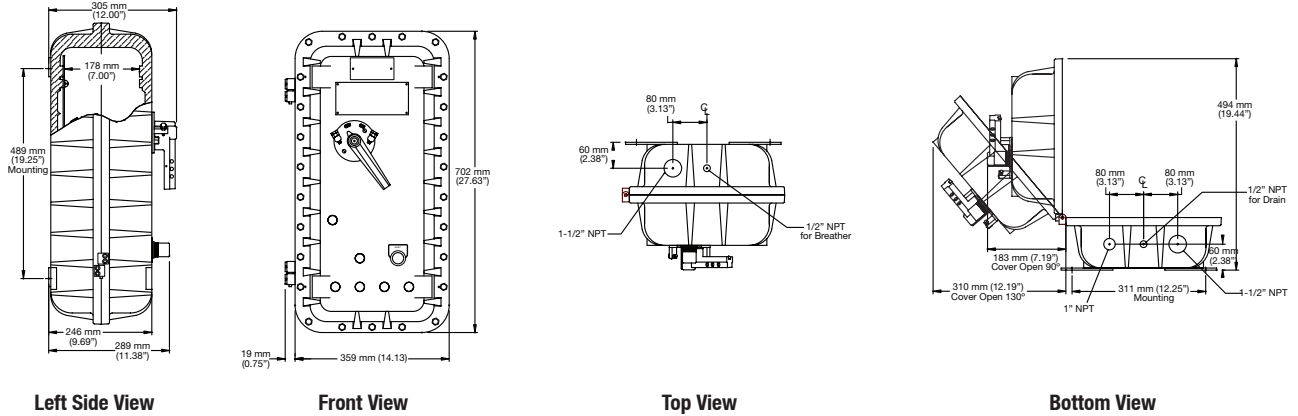
- Class I, Division 1 and 2, Groups C, D
- Class I, Zone 1 and 2, Groups IIB
- Class II, Division 1 and 2, Groups E, F, G
- Class III
- NEMA 4, 4X, 7CD, 9EFG

Combination Full Voltage Nonreversing

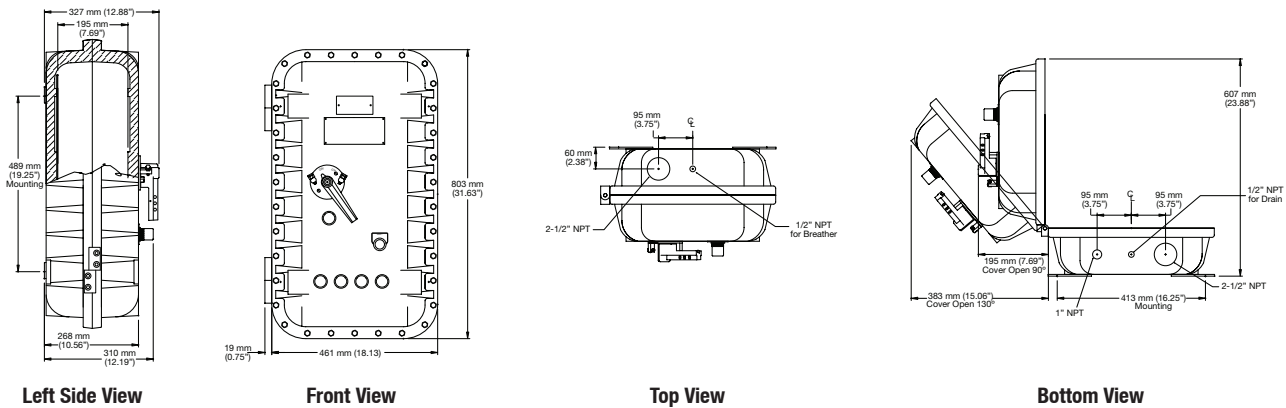
NEMA Size	Approximate Weight kg (lb)	Standard Conduit (Inches)	Mounting Hardware Set Catalog Number ▲
0	36 (80)	1-1/2	AMH7
1	36 (80)		
2	39 (85)		
3	64 (140)	2-1/2	AMH8
4	64 (140)		
5	227 (500)	4	

Dimensions in Millimeters (Inches) – Combination

Enclosure Layout for Size 0, 1 and 2 – Combination



Enclosure Layout for Size 3 and 4 – Combination



▲ To complete the catalog number please add the appropriate suffix for other options/features. Suffixes, see AEB Series Motor Starters Modifications.

CONTROLS: NEC/CEC EXPLOSIONPROOF MOTOR STARTERS

APPLETON™

AELB Series 65 kAIC Bolted Motor Starters and Contactors

Explosionproof, Dust-Ignitionproof, Watertight

Full Voltage. Combination and Non-Combination.

NEC/CEC:

Class I, Division 1 and 2, Groups B, C, D

Class I, Zone 1 and 2, Groups IIB + H₂

Class II, Division 1 and 2, Groups E, F, G NEC:

Class I, Division 1 and 2, Groups C, D

Class I, Zone 1 and 2, Groups IIB

Class II, Division 1 and 2, Groups E, F, G

Class III

NEMA 4, 4X, 7CD, 9EFG

Class III

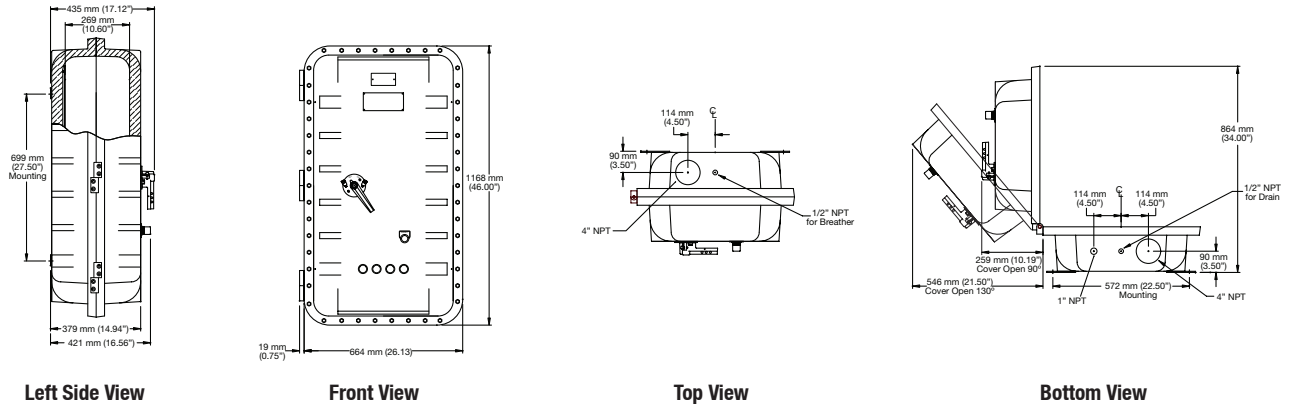
NEC/CEC:

NEMA 4, 4X, 7CD, 9EFG

CSA Type 4, 4X

Dimensions in Millimeters (Inches) – Combination

Enclosure Layout for Size 5 – Combination



CONTROLS: NEC/CEC EXPLOSIONPROOF MOTOR STARTERS

APPLETON

AELB Series 65 kAIC Bolted Motor Starters and Contactors

Explosionproof, Dust-Ignitionproof, Watertight

Full Voltage. Combination and Non-Combination.

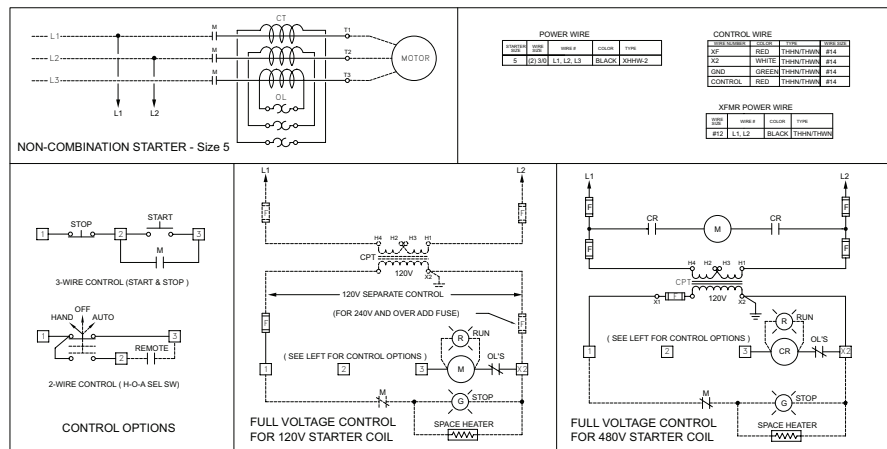
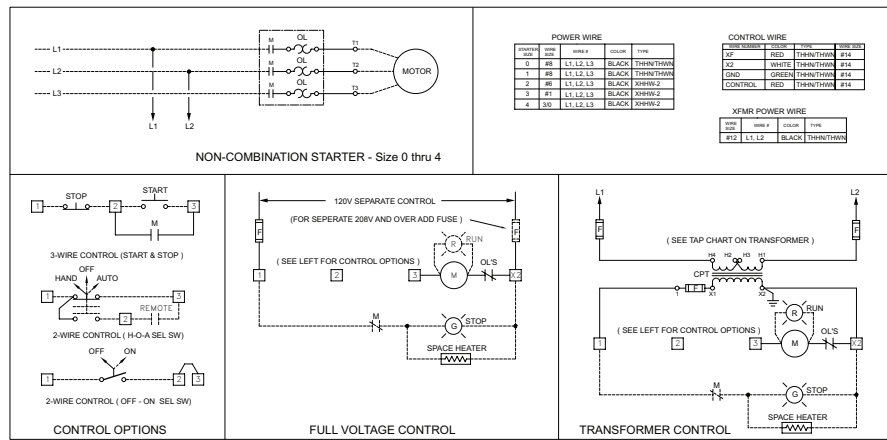
NEC:

- Class I, Division 1 and 2, Groups C, D
- Class I, Zone 1 and 2, Groups IIB
- Class II, Division 1 and 2, Groups E, F, G
- Class III
- NEMA 4, 4X, 7CD, 9EFG

Full Voltage Motor Starter – Nonreversing – 3-Phase, 60 Hertz, 120 V Coil

Line Voltage	NEMA Size	Maximum Horsepower	Amp Trip	Catalog Number [▲]	Approximate Weight kg (lb)	Conduit Size (Inches)	Mounting Hardware Set Catalog Number
480	0	5	NA	AELABA4W10	36 (80)	1-1/2	AMH7
	1	10	NA	AELABA4W11	36 (80)		
	2	25	NA	AELABA4W12	39 (85)	2	
	3	50	NA	AELBBA4W13	64 (140)		
	4	100	NA	AELFBA4W14	64 (140)	2-1/2	
5	200	NA	AELLBA4W15	227 (500)	4	AMH8	

Wiring Diagrams



▲ To complete the catalog number please add the appropriate suffix for other options/features. Suffixes, see AEB Series Motor Starters Modifications.

AELB Series 65 kAIC Bolted Motor Starters and Contactors

Explosionproof, Dust-Ignitionproof, Watertight

Full Voltage. Combination and Non-Combination.

NEC:

Class I, Division 1 and 2, Groups C, D

Class I, Zone 1 and 2, Groups IIB

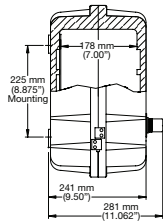
Class II, Division 1 and 2, Groups E, F, G

Class III

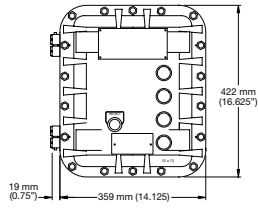
NEMA 4, 4X, 7CD, 9EFG

Dimensions in Millimeters (Inches) – Starter Only

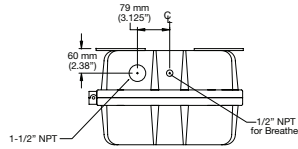
Enclosure Layout for Size 0, 1 and 2 – Starter Only



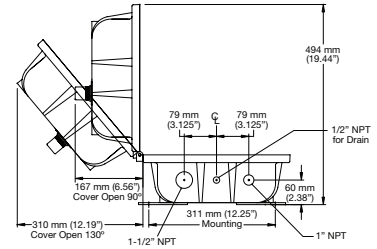
Left Side View



Front View

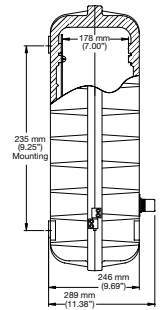


Top View

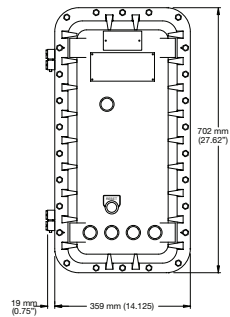


Bottom View

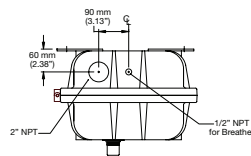
Enclosure Layout for Size 3 – Starter Only



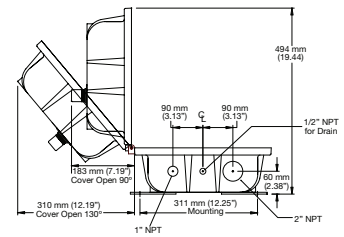
Left Side View



Front View



Top View



Bottom View

CONTROLS: NEC/IEC EXPLOSIONPROOF MOTOR STARTERS

APPLETON

AE LB Series 65 kAIC Bolted Motor Starters and Contactors

Explosionproof, Dust-Ignitionproof, Watertight

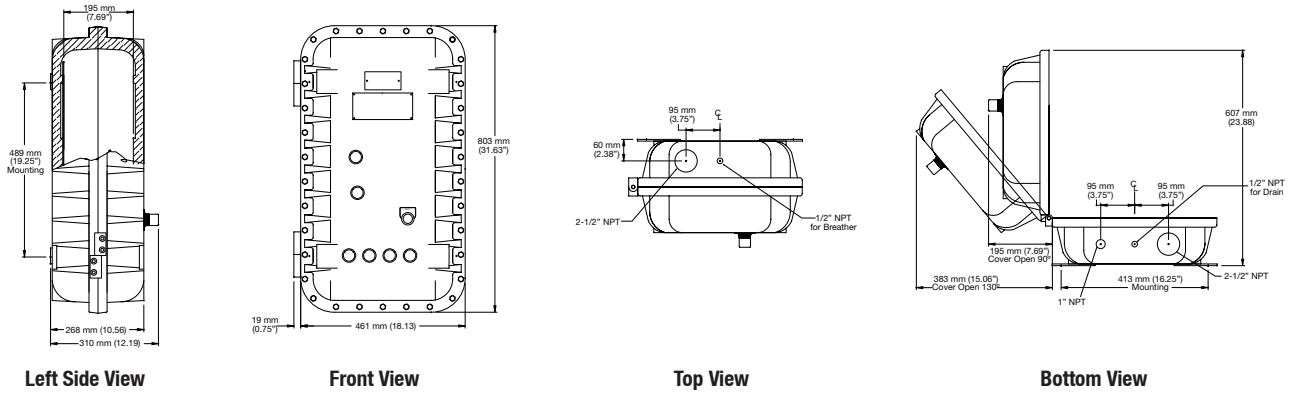
Full Voltage. Combination and Non-Combination.

NEC:

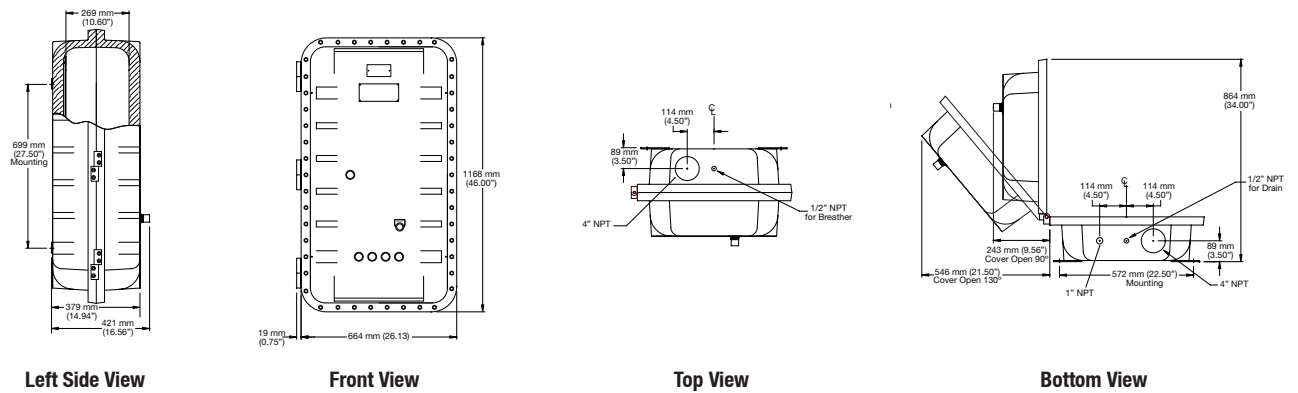
- Class I, Division 1 and 2, Groups C, D
- Class I, Zone 1 and 2, Groups IIB
- Class II, Division 1 and 2, Groups E, F, G
- Class III
- NEMA 4, 4X, 7CD, 9EFG

Dimensions in Millimeters (Inches) – Starter Only

Enclosure Layout for Size 4 – Starter Only



Enclosure Layout for Size 5 – Starter Only



CONTROLS: NEC/CEC EXPLOSIONPROOF MOTOR STARTERS

APPLETON™

AELB Series 65 kAIC Bolted Motor Starters and Contactors

Explosionproof, Dust-Ignitionproof, Watertight

Full Voltage. Combination and Non-Combination.

NEC:

Class I, Division 1 and 2, Groups C, D

Class I, Zone 1 and 2, Groups IIB

Class II, Division 1 and 2, Groups E, F, G

Class III

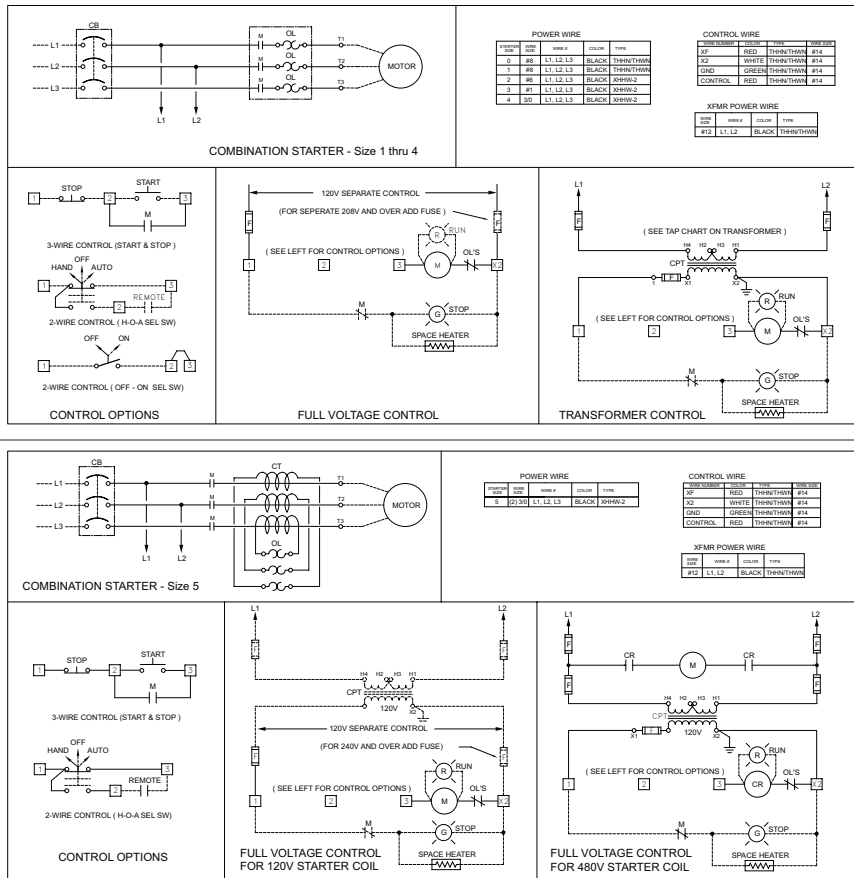
NEMA 4, 4X, 7CD, 9EFG

CONTROLS: NEC/CEC EXPLOSIONPROOF MOTOR STARTERS

Combination Full Voltage Motor Starters With Motor Circuit Protector (MCP) – Nonreversing – 3-Phase, 60 Hertz, 120 V Coil

Line Voltage	NEMA Size	Maximum Horsepower	Amp Trip	Catalog Number [▲]	Approximate Weight kg (lb)	Conduit Size (Inches)	Mounting Hardware Set Catalog Number	
480	0	1	3	AELBBB4W1C10	57 (125)	1-1/2	AMH7	
		3	7	AELBBB4W1C20	57 (125)			
	1	5	15	AELBBB4W1C30	57 (125)			
		7	15	AELBBB4W1C31	57 (125)			
	2	10	30	AELBBB4W1C41	59 (130)			
		12	30	AELBBB4W1C42	59 (130)			
	3	25	50	AELBBB4W1C52	59 (130)			2-1/2
		30	50	AELFBB4W1C53	88 (195)			
	4	50	100	AELFBB4W1C73	88 (195)			
		100	150	AELFBB4W1C84	88 (195)			
5	200	400	AELLBB4W1C05	227 (500)	4	AMH8		

Wiring Diagram



▲ To complete the catalog number please add the appropriate suffix for other options/features. Suffixes, see AEB Series Motor Starters Modifications.

AE LB Series 65 kAIC Bolted Motor Starters and Contactors

Explosionproof, Dust-Ignitionproof, Watertight

Full Voltage. Combination and Non-Combination.

NEC:

Class I, Division 1 and 2, Groups C, D

Class I, Zone 1 and 2, Groups IIB

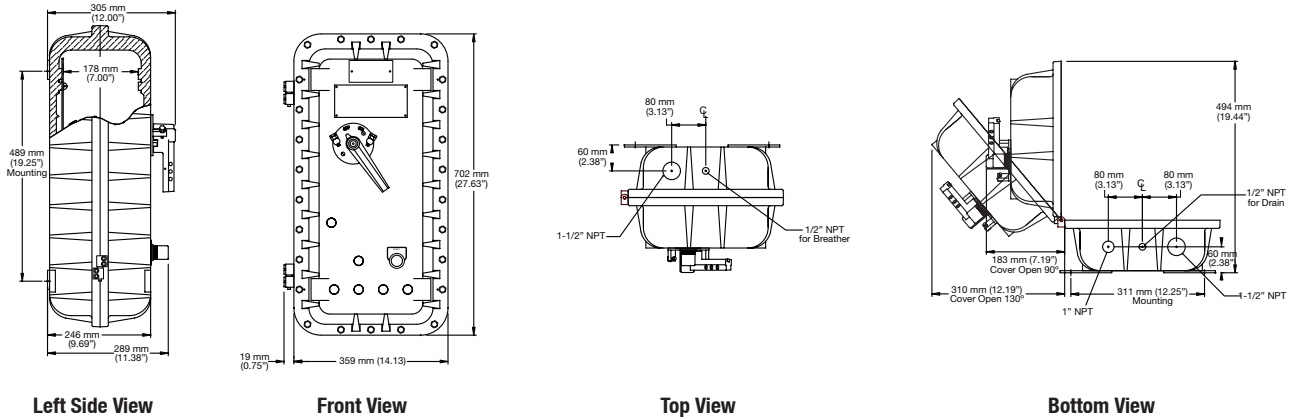
Class II, Division 1 and 2, Groups E, F, G

Class III

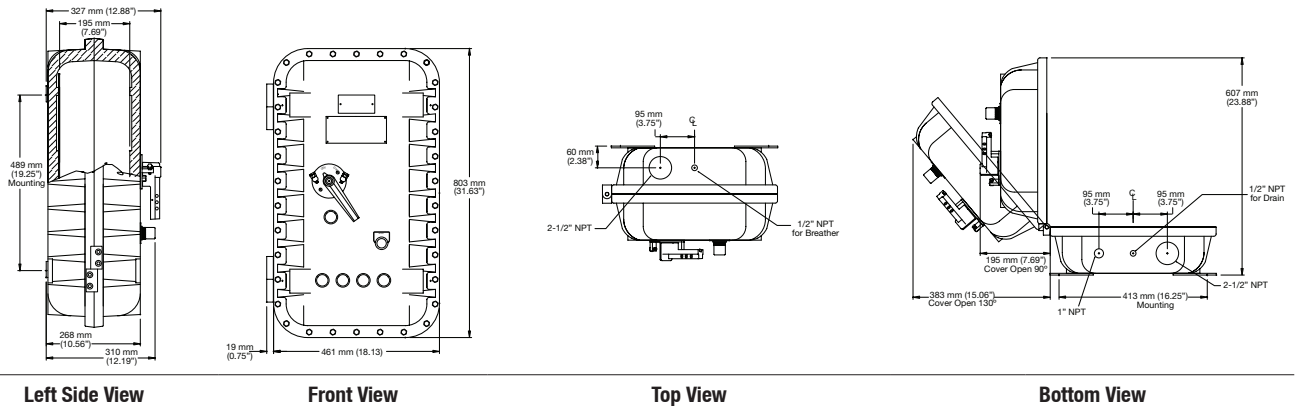
NEMA 4, 4X, 7CD, 9EFG

Dimensions in Millimeters (Inches) — Combination

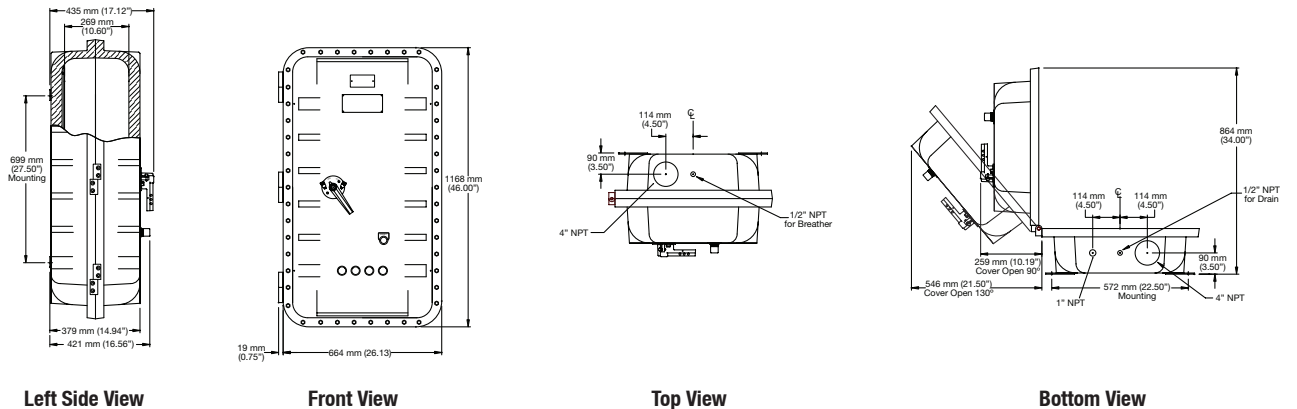
Enclosure Layout for Size 0, 1 and 2 — Combination



Enclosure Layout for Size 3 and 4 — Combination



Enclosure Layout for Size 5 — Combination



CONTROLS: NEC/CEC EXPLOSIONPROOF MOTOR STARTERS

APPLETON™

AELB Series 65 kAIC Bolted Motor Starters and Contactors

Explosionproof, Dust-Ignitionproof, Watertight

Full Voltage. Combination and Non-Combination.

NEC:

Class I, Division 1 and 2, Groups C, D

Class I, Zone 1 and 2, Groups IIB

Class II, Division 1 and 2, Groups E, F, G

Class III

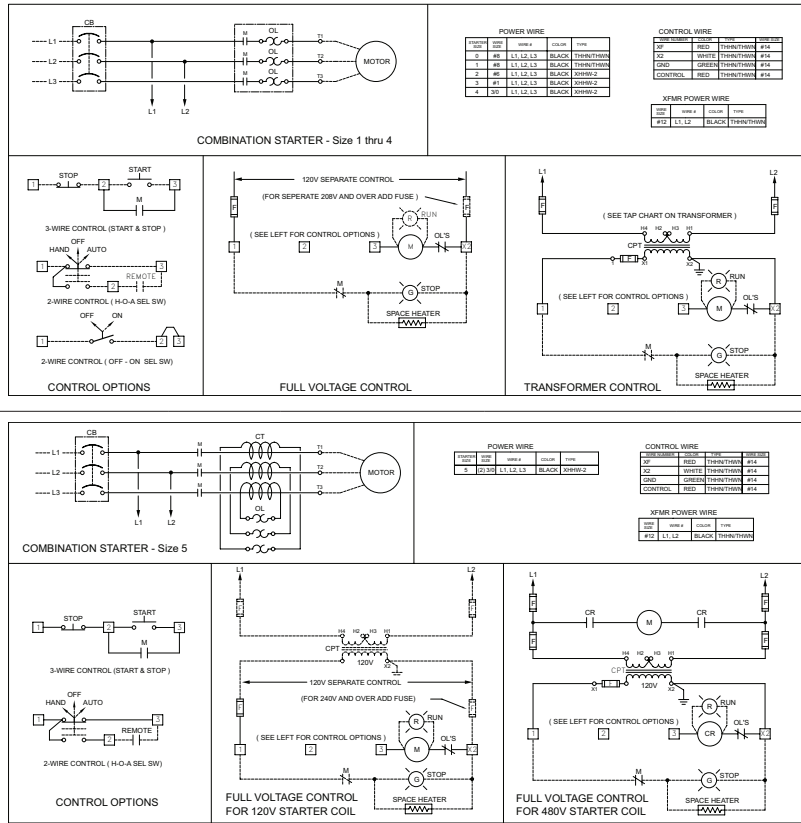
NEMA 4, 4X, 7CD, 9EFG

CONTROLS: NEC/CEC EXPLOSIONPROOF MOTOR STARTERS

Combination Full Voltage Motor Starters with Thermal Magnetic Circuit Breaker – Nonreversing – 3-Phase, 60 Hertz, 120 V Coil

Line Voltage	NEMA Size	Maximum Horsepower	Amp Trip	Catalog Number [▲]	Approximate Weight kg (lb)	Conduit Size (Inches)	Mounting Hardware Set Catalog Number	
480	0	3	15	AELBBB4W1CA0	57 (125)	1-1/2	AMH7	
		5	20	AELBBB4W1CB0	57 (125)			
	1	7-1/2	30	AELBBB4W1CD1	57 (125)			
		10	35	AELBBB4W1CE1	57 (125)			
	2	20	50	AELBBB4W1CG2	59 (130)	2-1/2		
		25	70	AELBBB4W1CJ2	59 (130)			
	3	50	100	AELFBB4W1CN3	88 (195)	4		AMH8
			125	125	AELFBB4W1CP3			
		75	150	AELFBB4W1CQ4	88 (195)			
			100	200	AELFBB4W1CS4			
125		250	AELLBB4W1CU5	227 (500)				
5	150	300	AELLBB4W1CV5	227 (500)				
	200	400	AELLBB4W1CX5	227 (500)				

Wiring Diagram



▲ To complete the catalog number please add the appropriate suffix for other options/features. Suffixes, see AEB Series Motor Starters Modifications.

AE LB Series 65 kAIC Bolted Motor Starters and Contactors

Explosionproof, Dust-Ignitionproof, Watertight

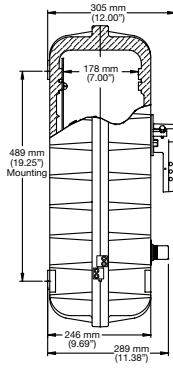
Full Voltage. Combination and Non-Combination.

NEC:

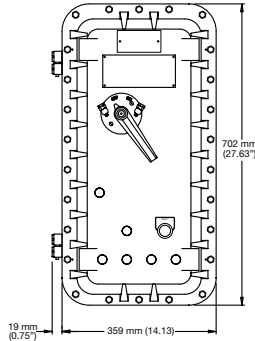
- Class I, Division 1 and 2, Groups C, D
- Class I, Zone 1 and 2, Groups IIB
- Class II, Division 1 and 2, Groups E, F, G
- Class III
- NEMA 4, 4X, 7CD, 9EFG

Dimensions in Millimeters (Inches) – Combination

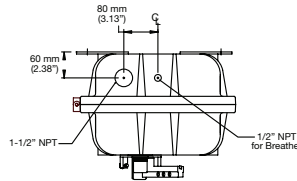
Enclosure Layout for Size 0, 1 and 2 – Combination



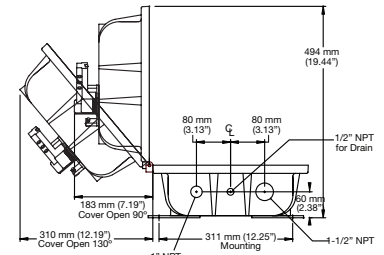
Left Side View



Front View

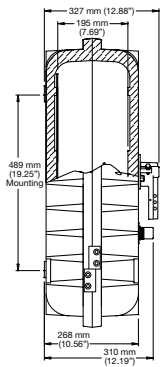


Top View

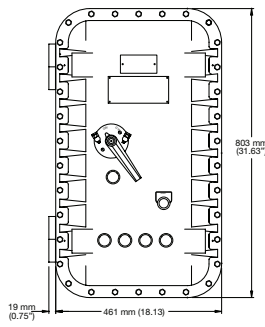


Bottom View

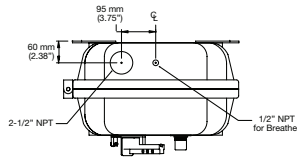
Enclosure Layout for Size 3 and 4 – Combination



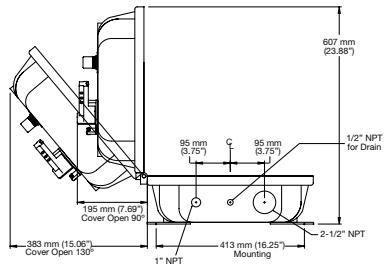
Left Side View



Front View

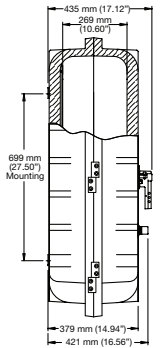


Top View

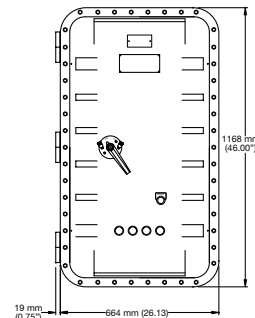


Bottom View

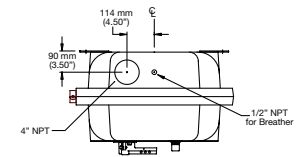
Enclosure Layout for Size 5 – Combination



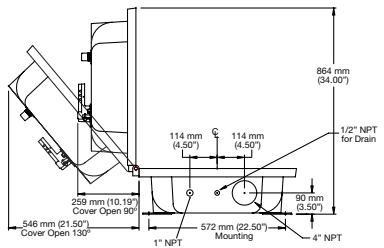
Left Side View



Front View



Top View



Bottom View

CONTROLS: NEC/CEC EXPLOSIONPROOF MOTOR STARTERS

APPLETON™

AELB Series 65 kAIC Bolted Motor Starters and Contactors

Explosionproof, Dust-Ignitionproof, Watertight

Full Voltage. Combination and Non-Combination.

NEC:

Class I, Division 1 and 2, Groups C, D

Class I, Zone 1 and 2, Groups IIB

Class II, Division 1 and 2, Groups E, F, G

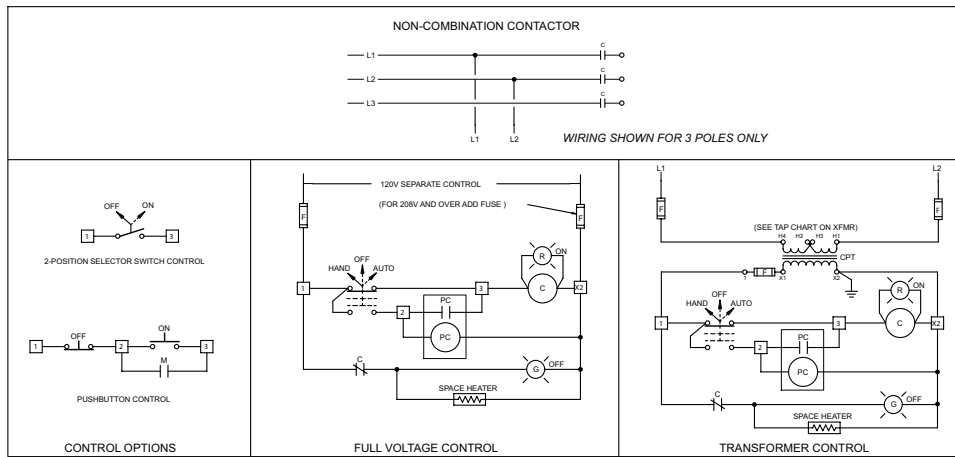
Class III

NEMA 4, 4X, 7CD, 9EFG

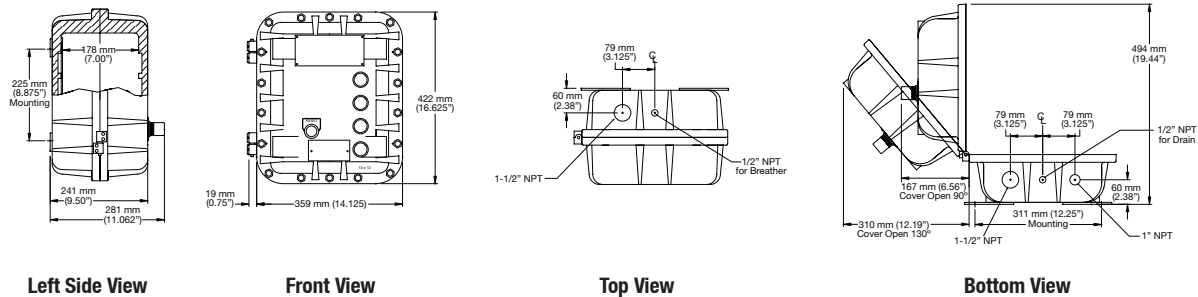
Lighting Contactor – 3-Pole – 60 Hertz, 120 V Coil

Line Voltage	Enclosure Size	Contactor Amps	Number of Poles	Catalog Number ▲	Approximate Weight kg (lb)	Conduit Size (Inches)	Mounting Hardware Set Catalog Number
120	1	30	3	AELABM1S13	57 (125)	1-1/2	AMH7
			6	AELABM1S16			
			9	AELABM1S19			
			12	AELABM1S112			

Wiring Diagram



Dimensions in Millimeters (Inches) – Lighting Contactor



Left Side View

Front View

Top View

Bottom View

▲ To complete the catalog number please add the appropriate suffix for other options/features. Suffixes, see AEB Series Motor Starters Modifications.

AELB Series 65 kAIC Bolted Motor Starters and Contactors

Explosionproof, Dust-Ignitionproof, Watertight

Full Voltage. Combination and Non-Combination.

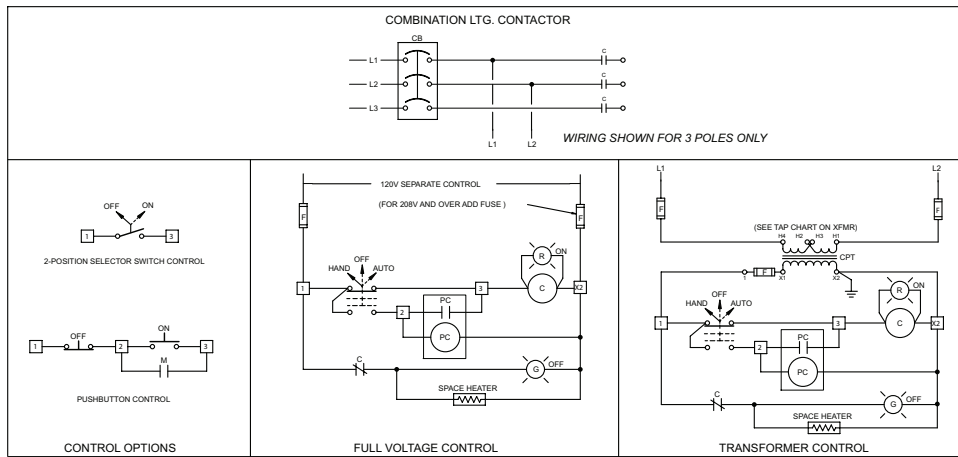
NEC:

- Class I, Division 1 and 2, Groups C, D
- Class I, Zone 1 and 2, Groups IIB
- Class II, Division 1 and 2, Groups E, F, G
- Class III
- NEMA 4, 4X, 7CD, 9EFG

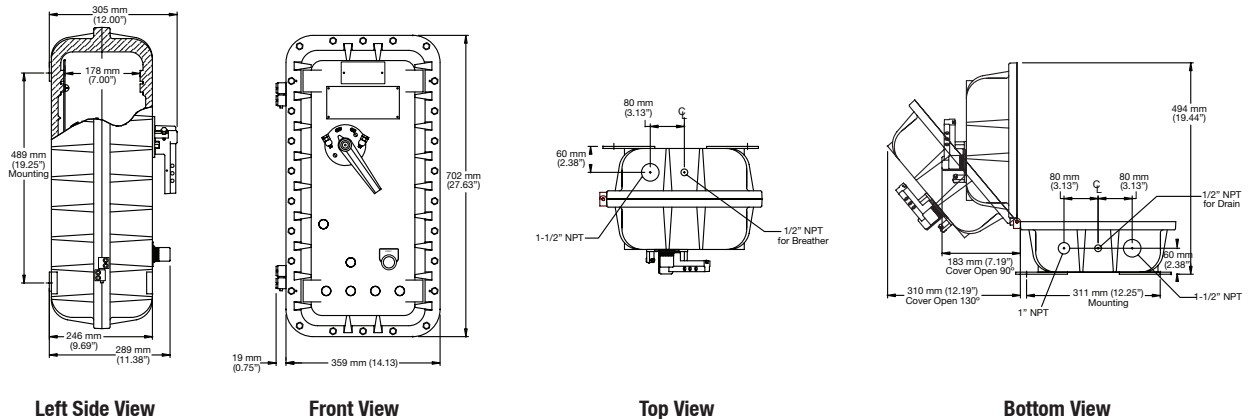
Combination Lighting Contactor – 3-Pole – 60 Hertz, 120 V Coil

Line Voltage	Enclosure Size	Contactor Amps	Contactor Amps	Number of Poles	Catalog Number [▲]	Approximate Weight kg (lb)	Conduit Size (Inches)	Mounting Hardware Set Catalog Number
120	1	30	40	3	AELBBN1S1F3	57 (125)	1-1/2	AMH7
				6	AELBBN1S1F6			
				9	AELBBN1S1F9			
				12	AELBBN1S1F12			

Wiring Diagram



Dimensions in Millimeters (Inches) – Combination Lighting Contactor



▲ To complete the catalog number please add the appropriate suffix for other options/features. Suffixes, see AEB Series Motor Starters Modifications.

AELB Series 65 kAIC Bolted Motor Starters and Contactors

Explosionproof, Dust-Ignitionproof, Watertight

Full Voltage. Combination and Non-Combination.

NEC:

Class I, Division 1 and 2, Groups C, D
 Class I, Zone 1 and 2, Groups IIB
 Class II, Division 1 and 2, Groups E, F, G
 Class III
 NEMA 4, 4X, 7CD, 9EFG

Modifications

Description	Suffix Factory Installed	Catalog Number Field Installed
Operators ①		
Start/Stop dual push button	S3X	AEPDGRE
Stop push button	S2X	AEPRC
Start push button	S1X	AEPGA
Stop, lighted PB, red 120 Vac	LP5X	AEP TRE
Start, lighted PB, green 120 Vac	LP4X	AEPTGE
3 position selector switch specify legend	A3X	AESS31MN
2 position selector switch specify legend	A2X	AESS22ML
Red pilot light, 120 Vac	L5	AEPL1R
Green pilot light, 120 Vac	L4	AEPL1G
Red pilot light, 240 Vac	L52	AEPL2R
Green pilot light, 240 Vac	L42	AEPL2G
Red pilot light, 480 Vac	L54	AEPL4R
Green pilot light, 480 Vac	L44	AEPL4G
NEMA 4X Breather/Drain Fittings		
Drain fitting	DN	DRNB4X
Breather fitting (Drilled and tapped installation included.)	BR	BRTB4X
Control Power Options ②③		
Fused CPT, 50 Va	T1	AFCPT050
Fused CPT, 100 Va	T2	AFCPT100
Fused CPT, 200 Va	T3	AFCPT200
Fused CPT, 250 Va	T4	AFCPT250
Fused CPT, 50 Va w/interposing relay	T5	AFCPT050R
Fused CPT, 150 Va	T6	AFCPT150
Fused CPT, 300 Va	T7	AFCPT300
Fused CPT, 500 Va	T8	AFCPT500
Fused CPT, 750 Va	T9	AFCPT750
Separate control fused circuit	S-120V	n/a
Specify starter coil voltage	S-240V	n/a
	S-480V	n/a

Description	Suffix Factory Installed	Catalog Number Field Installed
Nameplates		
Engraved nameplate — black letters on white surface, 50.8 x 101.6 mm (2" x 4"), 3.18 mm (0.125") letters, 3 lines max. specify legend	NP	—
Space Heater		
40 Watt enclosure space heaters	120 Vac	O-120V
	240 Vac	O-240V
	480 Vac	O-480V
Control Terminal Blocks (Above 12 points contact your local representative)		
20 Amp, 600 Vac	8 point	8K
NEMA 1B w/wire markers	12 point	12K
Cutler-Hammer [†] Starter Auxiliary Contacts		
Size 0-4 ④	1NO/1NC	X11C
	2NO/2NC	X22C
Size 5 ⑤	1NO/1NC	X511C
	2NO/2NC	X522C
Square D [‡] Starter Auxiliary Contacts		
Size 0-5 ⑥	1NO/1NC	X11S
	2NO/2NC	X22S
Number of Poles on Lighting Contactors		
30 Amp, 120 Vac	3 Poles	3
30 Amp, 120 Vac	6 Poles	6
30 Amp, 120 Vac	9 Poles	9
30 Amp, 120 Vac	12 Poles	12

CONTROLS: NEC/CEC EXPLOSIONPROOF MOTOR STARTERS

APPLETON

NOTE: **CPT** includes primary and secondary fuses.

① Add — **L** to part no. for Size 5 starters.

② Size 1 and 2 150 Vac Max. Size 3 and 4 300 Vac Max.

③ Contact your local representative for other voltages.

④ 8 Aux. Contacts Max. includes one seal-in and seven added.

⑤ 4 Aux. Contacts Max. includes one seal-in and three added.

⑥ Size 0-1 includes one seal-in and four added. Size 2-5 includes one seal-in and three added.

[†] Cutler-Hammer is a registered trademark of Eaton Corporation.

[‡] Square D is a registered trademark of Schneider Electric.