

BALDOR • RELIANCE

Customer information packet

VL1313A

1.5HP, 3450RPM, 1PH, 60HZ, 56C, 3432LC, OPEN

Class - None

Division - Not Applicable

Specifications

Enclosure	OPEN
Frame	56C
Frame Material	Steel
Frequency	60.00 Hz
Haz Area Class and Group	None
Haz Area Division	Not Applicable
Motor Letter Type	Cap Start, Cap Run
Output @ Frequency	1.500 HP @ 60 HZ
Phase	1
Synchronous Speed @ Frequency	3600 RPM @ 60 HZ
Voltage @ Frequency	230.0 V @ 60 HZ 115.0 V @ 60 HZ
Agency Approvals	CSA UR
Ambient Temperature	40 °C
Auxillary Box	No Auxillary Box
Auxillary Box Lead Termination	None
Base Indicator	No Mounting
Bearing Grease Type	Polyrex EM (-20F +300F)
Blower	None
Current @ Voltage	6.500 A @ 230.0 V 13.000 A @ 115.0 V
Design Code	-
Drip Cover	Drip Cover
Duty Rating	CONT
Efficiency @ 100% Load	78.5 %
Electrically Isolated Bearing	Not Electrically Isolated
Feedback Device	NO FEEDBACK
Front Face Code	Drip Cover Mounting
Front Shaft Indicator	None
Heater Indicator	No Heater
High Voltage Full Load Amps	6.5 a

Part detail

Revision	Z
Type	AC
Mech. spec.	34H551
Base	
Status	PRD/A
Elec. spec.	34WGX598
Layout	34LYH551
Eff. date	09-18-2023
CD Diagram	CD0703
Poles	02
Leads	4#16 A&J,2#18 B PH,1#14 #1TH
Proprietary	False
Created date	01-01-0001

Insulation Class	B
Inverter Code	Not Inverter
KVA Code	H
Lifting Lugs	No Lifting Lugs
Locked Bearing Indicator	Locked Bearing
Motor Lead Exit	Terminal Panel Or Lead Hole
Motor Lead Quantity/Wire Size	4 @ 16 AWG, A&J
Motor Lead Termination	Flying Leads
Motor Standards	NEMA
Motor Type	3432LC
Mounting Arrangement	F1
Number of Poles	2
Overall Length	13.01 IN
Power Factor	95
Product Family	General Purpose
Pulley End Bearing Type	Ball
Pulley Face Code	C-Face
Pulley Shaft Indicator	Standard
Rodent Screen	None
RoHS Status	ROHS COMPLIANT
Service Factor	1.30
Shaft Diameter	0.625 IN
Shaft Extension Location	Pulley End
Shaft Ground Indicator	No Shaft Grounding
Shaft Rotation	Reversible: Connected OPP STD
Shaft Slinger Indicator	No Slinger
Speed	3450 rpm
Speed Code	Single Speed
Starting Method	Direct on line
Thermal Device - Bearing	None
Thermal Device - Winding	None
Vibration Sensor Indicator	No Vibration Sensor
Winding Thermal 1	Automatic Thermal Overload
Winding Thermal 1 Location	SB

Winding Thermal 2

None

Nameplate

NP1257L	
CAT.NO.	VL1313A
SPEC.	34H551X598
HP	1.5
VOLTS	115/230
AMP	13/6.5
RPM	3450
FRAME	56C HZ 60 PH 1
SER.F.	1.30 CODE H DES - CL B
NEMA-NOM-EFF	78.5 PF 95
RATING	40C AMB-CONT
CC	
DE	6203 ODE 6203
ENCL	OPEN SN
	SFA 17/8.5

AC Induction Motor Performance Data

Record # 7475

Typical performance - not guaranteed values

Winding: 34WGX598-R001		Type: 3432LC		Enclosure: OPEN	
Nameplate Data			230 V, 60 Hz: High Voltage Connection		
Rated Output (HP)	1.5	Full Load Torque	2.3 LB-FT		
Volts	115/230	Start Configuration	direct on line		
Full Load Amps	13/6.5	Breakdown Torque	6.2 LB-FT		
R.P.M.	3450	Pull-up Torque	5 LB-FT		
Hz	60 Phase	1	Locked-rotor Torque	6.7 LB-FT	
NEMA Design Code	- KVA Code	H	Starting Current	43.5 A	
Service Factor (S.F.)		1.3	No-load Current	1.65 A	
NEMA Nom. Eff.	78.5 Power Factor	95	Line-line Res. @ 25°C	1.58 Ω A Ph 1.44 Ω B Ph	
Rating - Duty		40C AMB-CONT	Temp. Rise @ Rated Load	38°C	
S.F. Amps		17/8.5	Temp. Rise @ S.F. Load	53°C	

Load Characteristics 230 V, 60 Hz, 1.5 HP

% of Rated Load	25	50	75	100	125	150	S.F.
Power Factor	81	90	93	95	95	95	95
Efficiency	60.5	76.2	77.7	78.5	77.2	75.3	76.8
Speed	3566	3534	3498	3455	3403	3343	3391
Line amperes	2.45	3.65	5	6.5	8.25	10.25	8.65

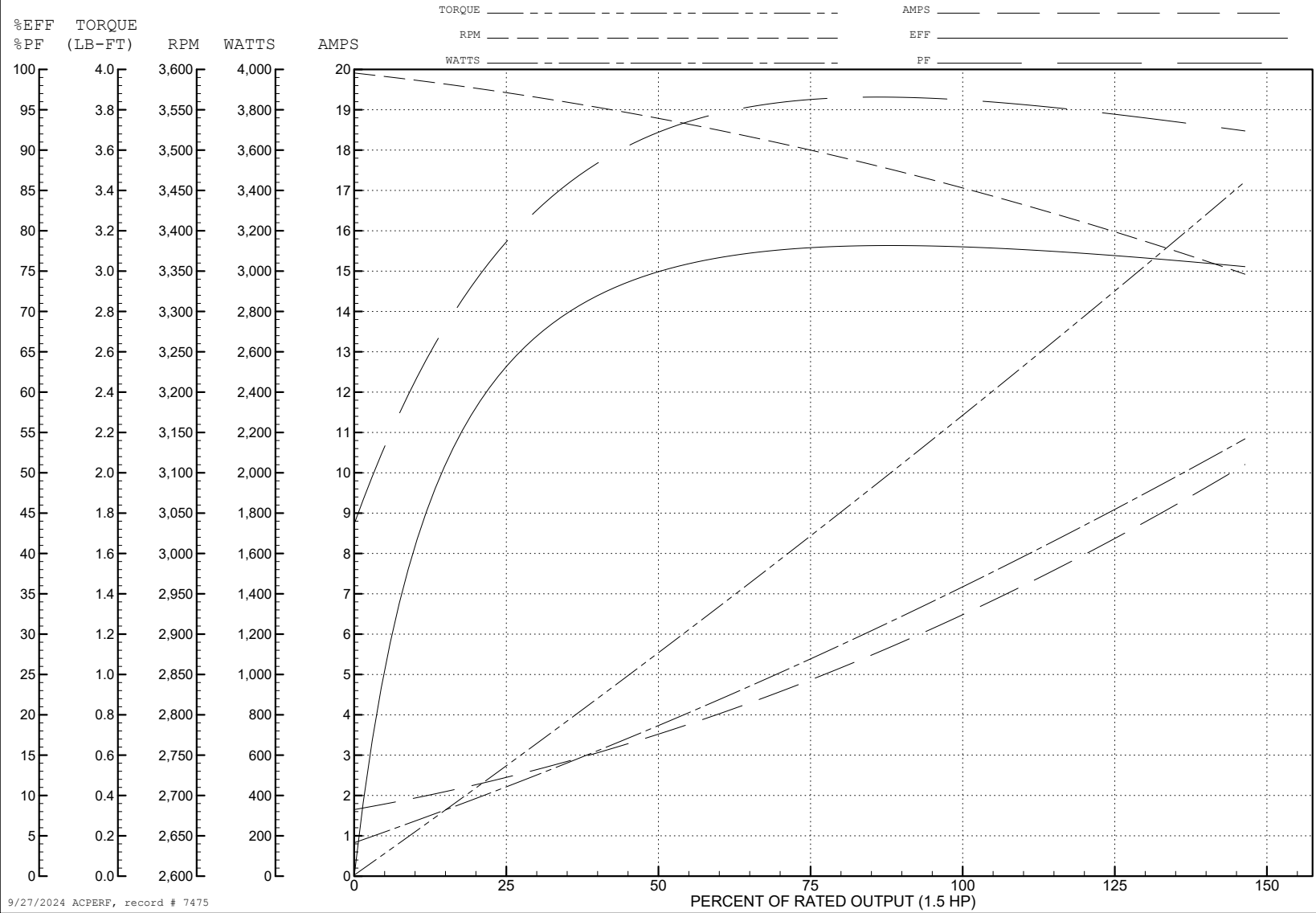
ABB Motors and Mechanical Inc.

WINDING # 34WG598

Typical performance - not guaranteed values.

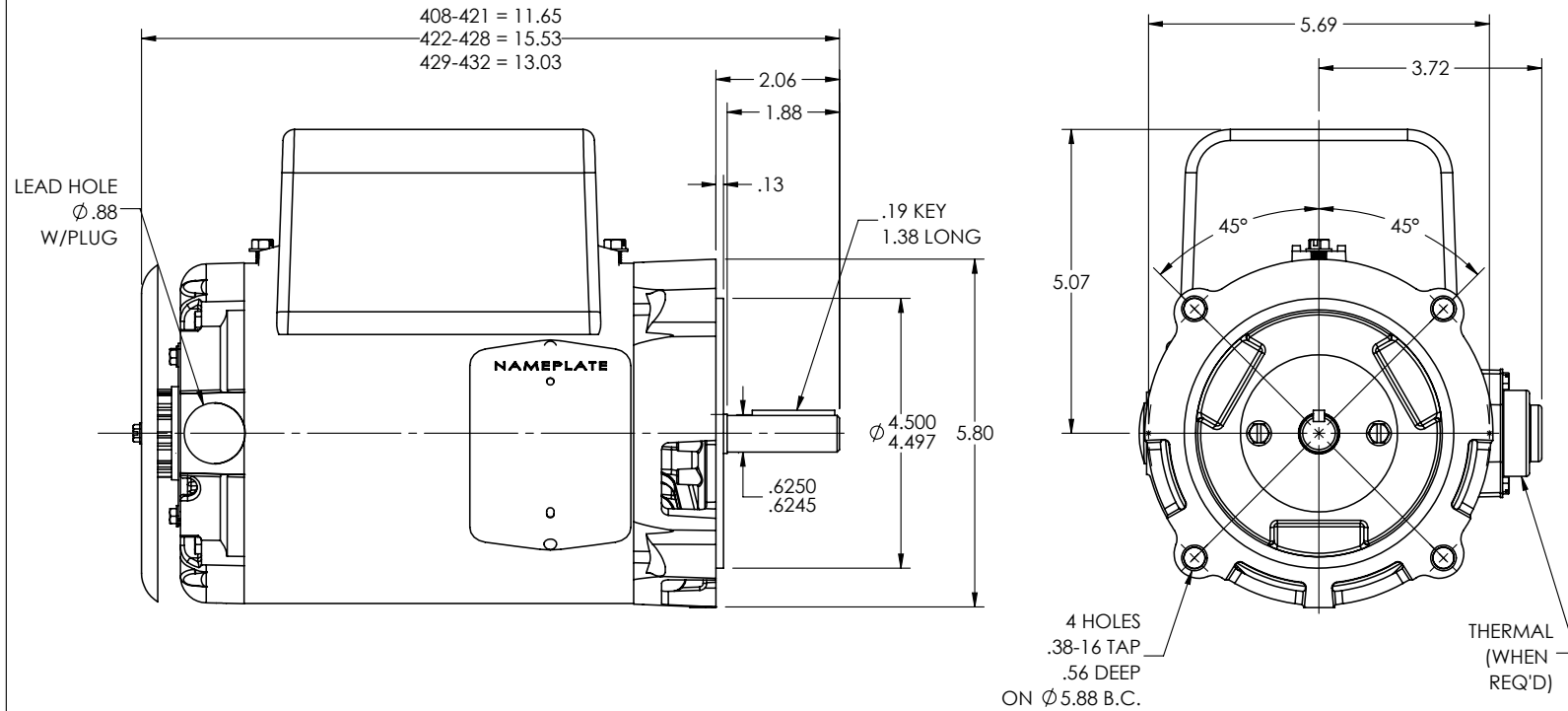
1.5 HP 1 PH 60 HZ 3450 RPM 230 V 3432LC

TORQUES (LB-FT): PO=6.2 PU=5 LR=6.7 LRA=43.5



9/27/2024 ACPERF, record # 7475

34LYH551



CUSTOMER IS RESPONSIBLE FOR DETERMINING THAT THE PRODUCT WILL PERFORM SUITABLY IN THE INTENDED APPLICATION

REV. DESC: LOAD TO SOLIDWORKS - REV "-"

REV: A VERSION: 01 REVISED: 02:49:47 12/29/2022 TDR: 000001201165

34LYH551

MODEL NO. 34LYH551
BY: ENFRAJ0

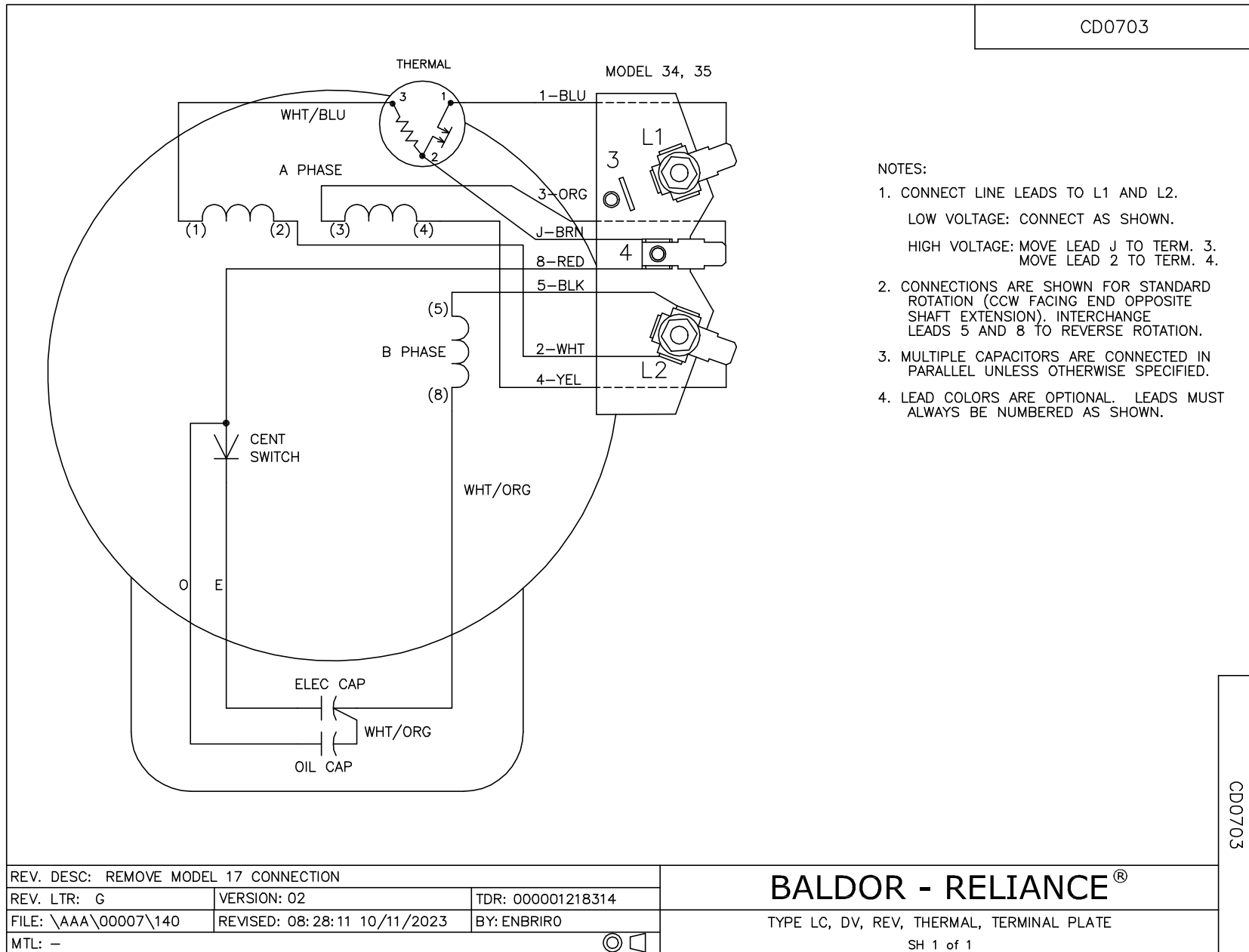
REF: -

BALDOR - RELIANCE®

STD 34LC NEMA 56C OPEN W/TERM PANEL & DRIP COVER

34LYH551

CD0703



CD0703

REV. DESC: REMOVE MODEL 17 CONNECTION		
REV. LTR: G	VERSION: 02	TDR: 000001218314
FILE: \AAA\00007\140	REVISED: 08:28:11 10/11/2023	BY: ENBRIRO
MTL: -		

BALDOR - RELIANCE®

TYPE LC, DV, REV, THERMAL, TERMINAL PLATE
SH 1 of 1