



Customer information packet

VL1205A

.33HP, 3450RPM, 1PH, 60HZ, 56C, 3416L, OPEN, F1

Class - None

Division - Not Applicable

Specifications

Enclosure	OPEN
Frame	56C
Frame Material	Steel
Frequency	60.00 Hz
Haz Area Class and Group	None
Haz Area Division	Not Applicable
Motor Letter Type	Cap Start, Induction Run
Output @ Frequency	.330 HP @ 60 HZ
Phase	1
Synchronous Speed @ Frequency	3600 RPM @ 60 HZ
Voltage @ Frequency	230.0 V @ 60 HZ 115.0 V @ 60 HZ
Agency Approvals	CSA UR
Ambient Temperature	40 °C
Auxillary Box	No Auxillary Box
Auxillary Box Lead Termination	None
Base Indicator	No Mounting
Bearing Grease Type	Polyrex EM (-20F +300F)
Blower	None
Current @ Voltage	7.000 A @ 115.0 V 3.500 A @ 230.0 V
Design Code	N
Drip Cover	Drip Cover
Duty Rating	CONT
Efficiency @ 100% Load	54.0 %
Electrically Isolated Bearing	Not Electrically Isolated
Feedback Device	NO FEEDBACK
Front Face Code	Terminal Panel
Front Shaft Indicator	None
Heater Indicator	No Heater
High Voltage Full Load Amps	3.5 a

Part detail

Revision	P
Type	AC
Mech. spec.	34F037
Base	
Status	PRD/A
Elec. spec.	34WG0652
Layout	34LYF037
Eff. date	09-18-2023
CD Diagram	CD0052
Poles	02
Leads	6#18,1#16 #1TH
Proprietary	False
Created date	02-22-2010

Insulation Class	B
Inverter Code	Not Inverter
KVA Code	P
Lifting Lugs	No Lifting Lugs
Locked Bearing Indicator	Locked Bearing
Motor Lead Exit	Terminal Panel Or Lead Hole
Motor Lead Quantity/Wire Size	6 @ 18 AWG
Motor Lead Termination	Flying Leads
Motor Standards	NEMA
Motor Type	3416L
Mounting Arrangement	F1
Number of Poles	2
Overall Length	11.32 IN
Power Factor	56
Product Family	General Purpose
Pulley End Bearing Type	Ball
Pulley Face Code	C-Face
Pulley Shaft Indicator	Standard
Rodent Screen	None
RoHS Status	ROHS COMPLIANT
Service Factor	1.75
Shaft Diameter	0.625 IN
Shaft Extension Location	Pulley End
Shaft Ground Indicator	No Shaft Grounding
Shaft Rotation	Reversible: Connected OPP STD
Shaft Slinger Indicator	No Slinger
Speed	3450 rpm
Speed Code	Single Speed
Starting Method	Direct on line
Thermal Device - Bearing	None
Thermal Device - Winding	None
Vibration Sensor Indicator	No Vibration Sensor
Winding Thermal 1	Automatic Thermal Overload
Winding Thermal 1 Location	SB

Winding Thermal 2

None

Nameplate

NP1257L									
CAT.NO.	VL1205A								
SPEC.	34F037-0652G1								
HP	.33								
VOLTS	115/230								
AMP	7/3.5								
RPM	3450								
FRAME	56C			HZ	60		PH	1	
SER.F.	1.75	CODE	P	DES	N	CL	B		
NEMA-NOM-EFF	54	PF	56						
RATING	40C AMB-CONT								
CC									
DE	6203	ODE	6203						
ENCL	OPEN	SN							
	SFA 8.2/4.1								

AC Induction Motor Performance Data

Record # 36344

Typical performance - not guaranteed values

Winding: 34WG0652-R002		Type: 3416L		Enclosure: OPEN	
Nameplate Data			115 V, 60 Hz: Low Voltage Connection		
Rated Output (HP)	.33		Full Load Torque	0.489 LB-FT	
Volts	115/230		Start Configuration	direct on line	
Full Load Amps	7/3.5		Breakdown Torque	2 LB-FT	
R.P.M.	3450		Pull-up Torque	1.6 LB-FT	
Hz	60 Phase	1	Locked-rotor Torque	3 LB-FT	
NEMA Design Code	N KVA Code	P	Starting Current	37 A	
Service Factor (S.F.)	1.75		No-load Current	5.9 A	
NEMA Nom. Eff.	54 Power Factor	56	Line-line Res. @ 25°C	1.15 Ω A Ph 3.67 Ω B Ph	
Rating - Duty	40C AMB-CONT		Temp. Rise @ Rated Load	67°C	
S.F. Amps	8.2/4.1		Temp. Rise @ S.F. Load	89°C	

Load Characteristics 115 V, 60 Hz, 0.33 HP

% of Rated Load	25	50	75	100	125	150	S.F.
Power Factor	32	43	50	56	61	67	72
Efficiency	28.6	40.1	48.9	53.8	56	56.8	60
Speed	3538	3507	3478	3460	3434	3412	3388
Line amperes	5.93	6.17	6.53	6.99	7.54	8.08	8.43

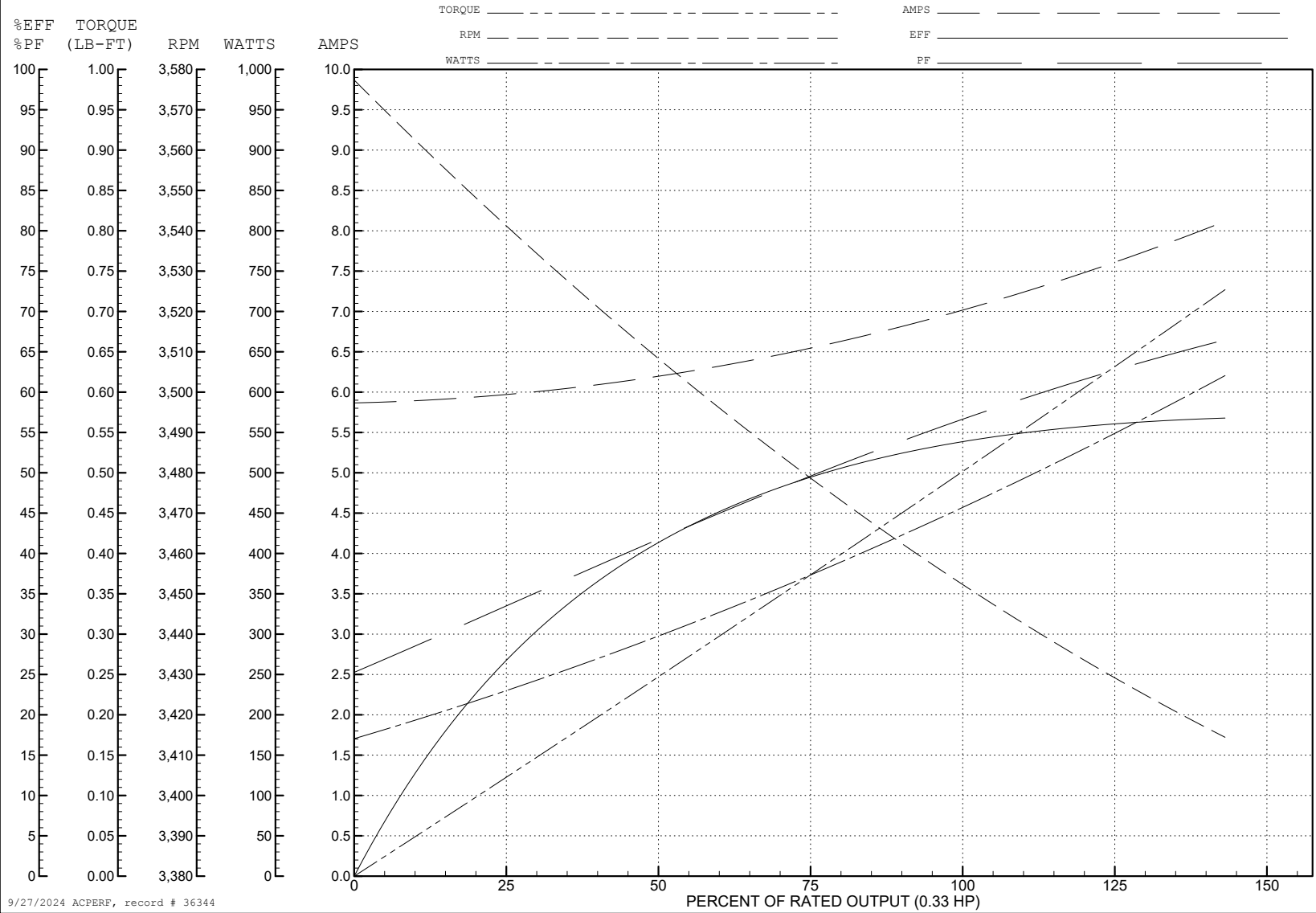
ABB Motors and Mechanical Inc.

WINDING # 34WG0652

0.33 HP 1 PH 60 HZ 3450 RPM 115 V 3416L

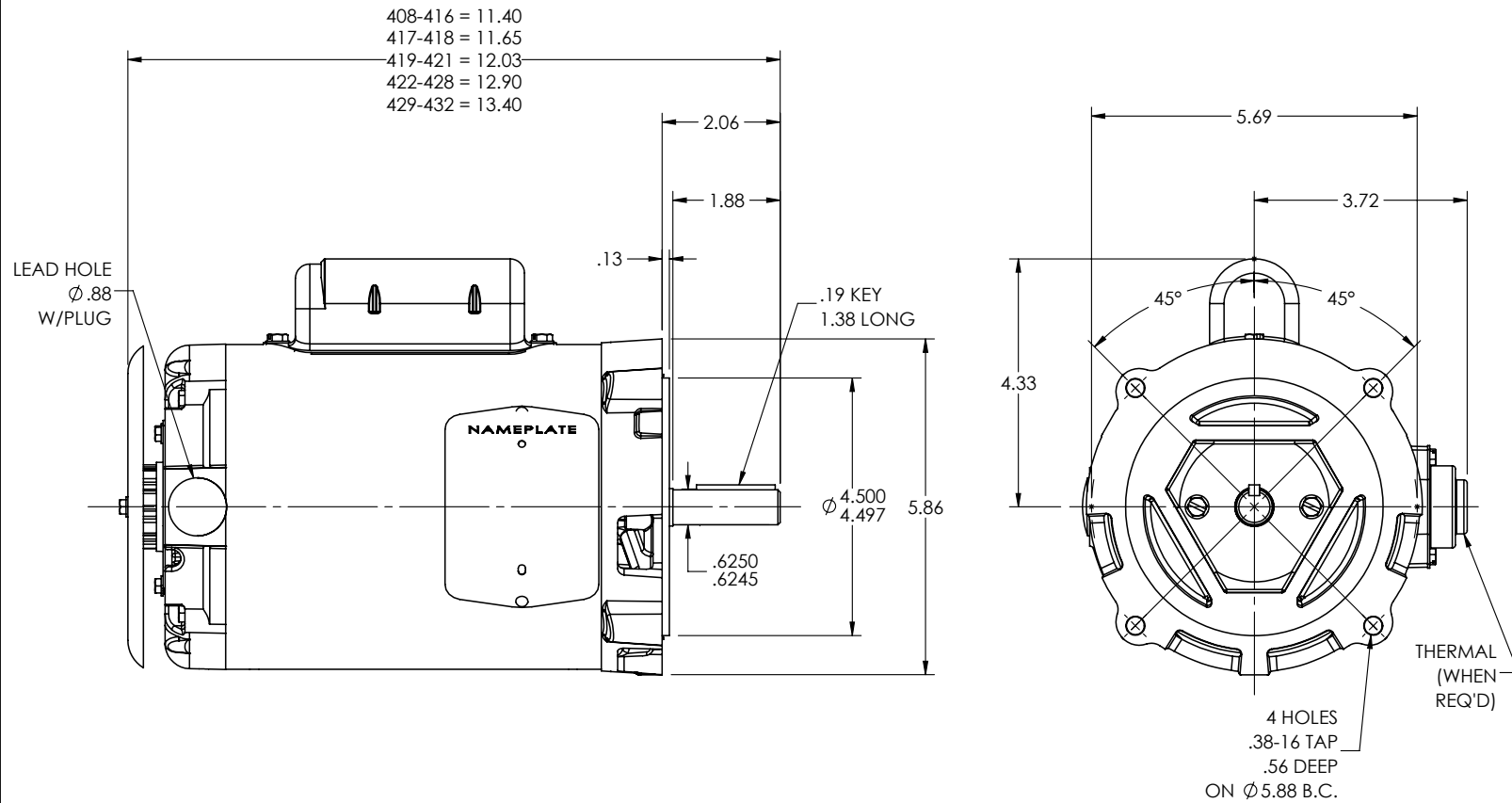
Typical performance - not guaranteed values.

TORQUES (LB-FT) : PO=2 PU=1.6 LR=3 LRA=37



9/27/2024 ACPERF, record # 36344

34LYF037



CUSTOMER IS RESPONSIBLE FOR DETERMINING THAT THE PRODUCT WILL PERFORM SUITABLY IN THE INTENDED APPLICATION

REV. DESC: LOAD TO SOLIDWORKS - REV J

REV: K VERSION: 02 REVISED: 09:09:54 12/29/2022 TDR: 000001201165

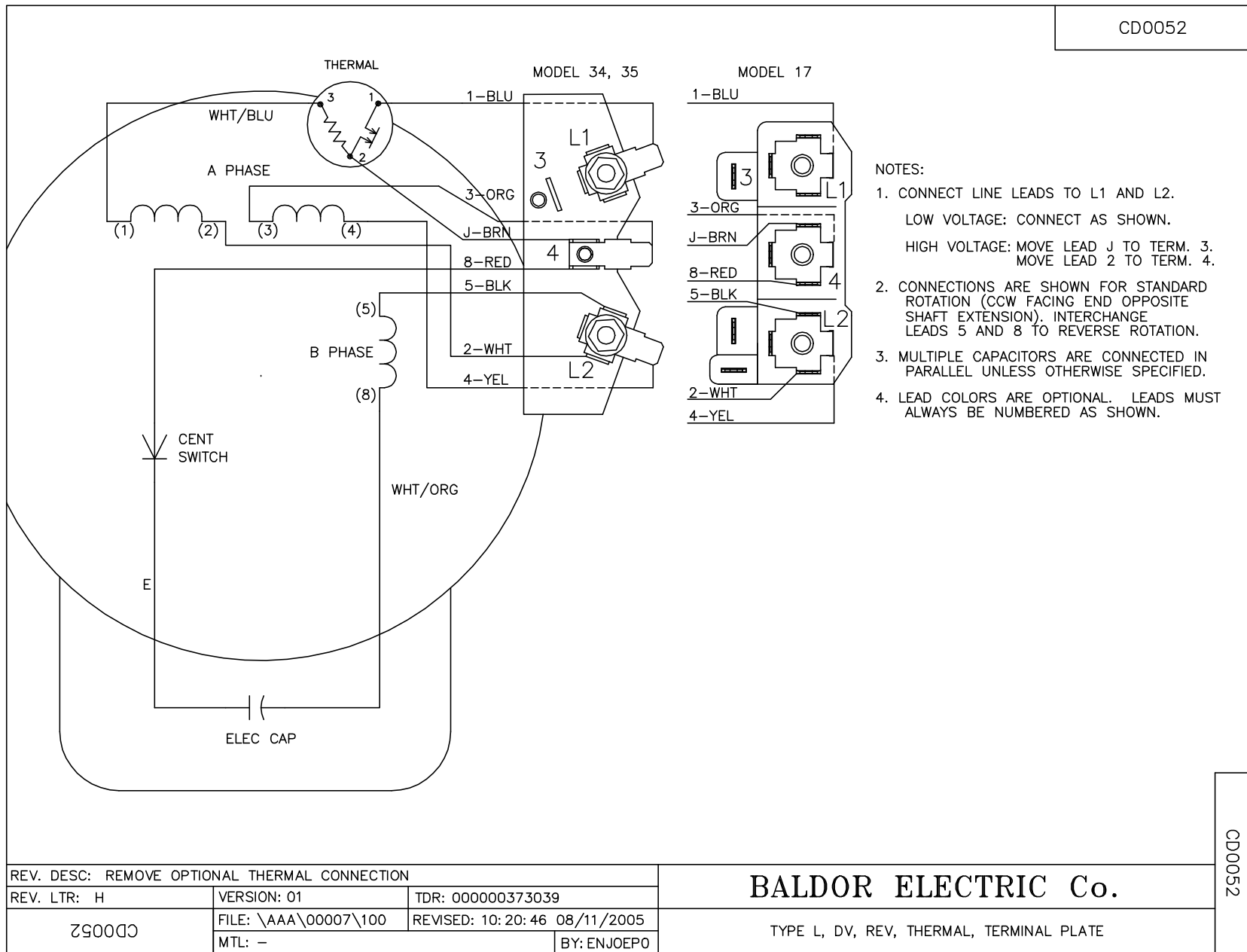
34LYF037 MODEL NO. 34LYF037 REF: -
 BY: ENFRAJ0

BALDOR - RELIANCE®

STD VERT MODEL 34L NEMA 56C OPEN W/DRIP COVER & TERM PLATE

34LYF037

CD0052



REV. DESC: REMOVE OPTIONAL THERMAL CONNECTION		
REV. LTR: H	VERSION: 01	TDR: 000000373039
CD0052	FILE: \AAA\00007\100	REVISED: 10:20:46 08/11/2005
	MTL: -	BY: ENJOEPO

BALDOR ELECTRIC Co.

TYPE L, DV, REV, THERMAL, TERMINAL PLATE

CD0052