

PowerMark™ PRO Load Center

You know the name on it.
Now see what's inside.

**Two legendary names.
One purpose. Your success.**

ABB's acquisition of GE Industrial Solutions infused innovation and investment into a well-established and trusted residential electrical portfolio. Our expanded and renovated portfolio is strategically designed to improve the installation process, stocking strategy and homeowner experience.

PowerMark™ PRO load center. It's not just our name behind it. It's yours, too.

Your work is an extension of your reputation. Ours is too. This is why we developed the new PowerMark™ PRO load center with **plug-on neutral** connection capability.

PowerMark™ PRO truly is the motherlode of load centers. With advanced plug-on neutral electronic circuit breakers that attach to the neutral bus using ABB's unique ReliaLock™ connection feature and round plug-on neutral bars, PowerMark PRO's features enable you to perform faster and more efficient circuit breaker installations. Plus, the convenient and elevated factory-installed neutral and ground bars simplify wiring, helping reduce labor time and project costs.



PowerMark™ PRO load center

Specifically built to carry your load.

Whether you're a distributor, electrical contractor or home builder, you'll find precisely what you need with PowerMark™ PRO.

Save time and labor with plug-on neutral electronic circuit breakers.



Expand into the residential market with confidence thanks to plug-on circuit breakers.



Simplify ordering and stocking with a load center designed for any application.



Install peace of mind with a load center that puts quality and safety first.



Save time and labor with less wiring and faster installation times with ABB's AFCI shared-neutral capabilities.



Protect against short circuits with electronic circuit breakers using ABB's proprietary ReliaLock™ plug-on neutral connection.





An hour
saved
is an hour
earned



PowerMark™ PRO product details

Ease of installation

Maximizes gutter space—Plug-on neutral AFCI, GFCI and DFCI breakers

Simplifies retrofits—AFCI shared neutral lets you perform retrofits with ease, regardless of existing shared or mixed neutrals, and still meet UL standards

Easier wire installation—Elevated neutral bars

Quicker mounting—Drywall-locating mounting depth location tab

Convenient installation—Diamond key knockouts, new knockout pattern and self-leveling center keyhole mounting

Flexible design

User friendly—For main lug convertible load center, ground bar and ground lug are factory installed

Faster field installs—For main breaker load center, ground lug is provided standard for field installation, as required

More room to work—100% neutral terminations for all your needs

Common breaker platform—Stocking strategy is simplified

More choices—White trims available

Increased Reliability

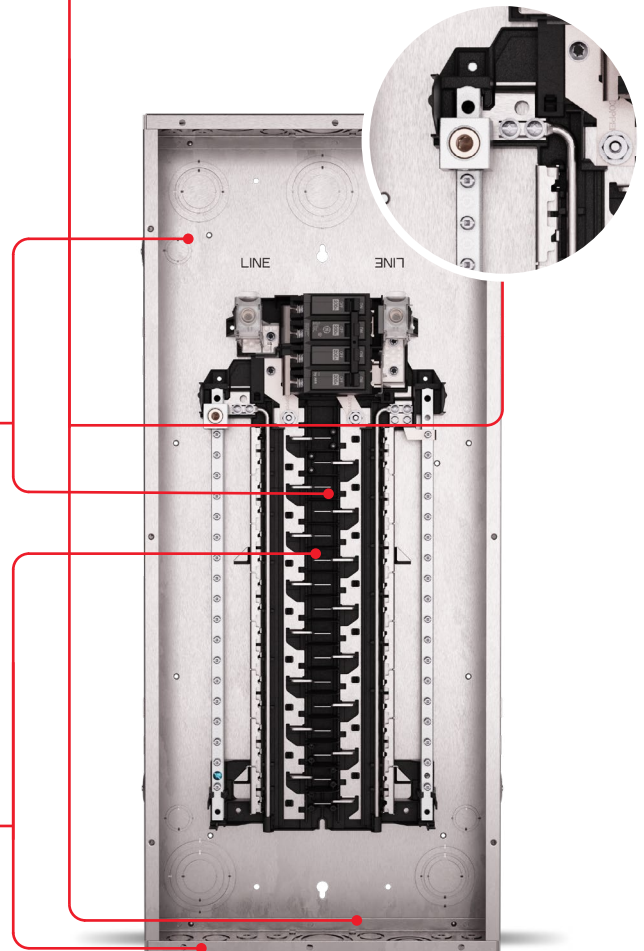
Protection from environmental challenges—Tin-plated copper bus to prevent corrosion

Rugged—Steel breaker mounting rail

Durable—One-piece interior

Multifunctional—Suitable for use as service entrance equipment, and all main lug load centers are convertible to main circuit breaker

Built to last—Galvanized box



Technical features

- Standard main breaker range from 100A to 225A. Main breaker amperages of 40A to 90A can be achieved using accessory MCB mounting kit on 125A PLM versions
- Available in 8-60 circuit capacity
- 22k AIC main breaker, series rated 22kA/10kA
- Single-phase, three-wire, 120/240VAC
- 60/75°C conductor rating

Certifications, standards

UL Listed panelboards No. 67



Circuit breakers

- Plug-on neutral circuit breakers reduce installation time—particularly for new home construction
- Our simple stocking strategy accepts all THQL-type breakers, including the new plug-on neutral, pigtail and standard thermal mags*
 - 1 and 2 pole
 - 10k and 22k AIC
 - Arc fault, ground fault and dual-function breakers: 15A to 50A
 - Thermal mag breakers: 15A to 125A

*1/2" THQP are not compatible

Product configuration

Plug-on Neutral Single-Phase Load Centers—NEMA 1

Catalog Number	1" Circuits	Type	Amps	Front Color
PM1210C	12	Main Breaker	100A	Gray
PM2410C	24	Main Breaker	100A	Gray
PM3210C	32	Main Breaker	100A	Gray
PM1212C	12	Main Breaker	125A	Gray
PM2412C	24	Main Breaker	125A	Gray
PM3212C	32	Main Breaker	125A	Gray
PM2415C	24	Main Breaker	150A	Gray
PM3215C	32	Main Breaker	150A	Gray
PM4015C	40	Main Breaker	150A	Gray
PM2420C	24	Main Breaker	200A	Gray
PM3220C	32	Main Breaker	200A	Gray
PM4020C	40	Main Breaker	200A	Gray
PM6020C	60	Main Breaker	200A	Gray
PM4222C	42	Main Breaker	225A	Gray
PLM1212C	12	Main Lug Convertible	125A	Gray
PLM2412C	24	Main Lug Convertible	125A	Gray
PLM3212C	32	Main Lug Convertible	125A	Gray
PLM3220C	32	Main Lug Convertible	200A	Gray
PLM4020C	40	Main Lug Convertible	200A	Gray
PLM4222C	42	Main Lug Convertible	225A	Gray

Plug-on Neutral Electronic Circuit Breakers

Catalog Number	Amps	Poles	AIC	Protection
THQL1115PAF2	15A	1P	10K	AFCI
THQL1120PAF2	20A	1P	10K	AFCI
THHQL1115PAF2	15A	1P	22K	AFCI
THHQL1120PAF2	20A	1P	22K	AFCI
THQL1115PDF	15A	1P	10K	AFCI/GFCI
THQL1120PDF	20A	1P	10K	AFCI/GFCI
THHQL1115PDF	15A	1P	22K	AFCI/GFCI
THHQL1120PDF	20A	1P	22K	AFCI/GFCI
THQL1115PGFT	15A	1P	10K	GFCI
THQL1120PGFT	20A	1P	10K	GFCI
THQL1125PGFT	25A	1P	10K	GFCI
THQL1130PGFT	30A	1P	10K	GFCI
THHQL1115PGFT	15A	1P	22K	GFCI
THHQL1120PGFT	20A	1P	22K	GFCI
THHQL1125PGFT	25A	1P	22K	GFCI
THHQL1130PGFT	30A	1P	22K	GFCI
THQL2115PGFT	15A	2P	10K	GFCI
THQL2120PGFT	20A	2P	10K	GFCI
THQL2125PGFT	25A	2P	10K	GFCI
THQL2130PGFT	30A	2P	10K	GFCI
THHQL2115PGFT	15A	2P	22K	GFCI
THHQL2120PGFT	20A	2P	22K	GFCI
THHQL2125PGFT	25A	2P	22K	GFCI
THHQL2130PGFT	30A	2P	22K	GFCI

Catalog Number	1" Circuits	Type	Amps	Front Color
PM1210W	12	Main Breaker	100A	White
PM2410W	24	Main Breaker	100A	White
PM3210W	32	Main Breaker	100A	White
PM1212W	12	Main Breaker	125A	White
PM2412W	24	Main Breaker	125A	White
PM3212W	32	Main Breaker	125A	White
PM2415W	24	Main Breaker	150A	White
PM3215W	32	Main Breaker	150A	White
PM4015W	40	Main Breaker	150A	White
PM2420W	24	Main Breaker	200A	White
PM3220W	32	Main Breaker	200A	White
PM4020W	40	Main Breaker	200A	White
PM6020W	60	Main Breaker	200A	White
PM4222W	42	Main Breaker	225A	White
PLM1212W	12	Main Lug Convertible	125A	White
PLM2412W	24	Main Lug Convertible	125A	White
PLM3212W	32	Main Lug Convertible	125A	White
PLM3220W	32	Main Lug Convertible	200A	White
PLM4020W	40	Main Lug Convertible	200A	White
PLM4222W	42	Main Lug Convertible	225A	White

Plug-on Neutral Single-Phase Load Centers—NEMA 3R

Catalog Number	Circuits	Type	Amps	Front Color
PM2410R	24	Main Breaker	100A	Gray
PM2412R	24	Main Breaker	125A	Gray
PM3220R	32	Main Breaker	200A	Gray
PM4020R	40	Main Breaker	200A	Gray
PLM2412R	24	Main Lug Convertible	125A	Gray
PLM3220R	32	Main Lug Convertible	200A	Gray
PLM4020R	40	Main Lug Convertible	200A	Gray
PM815RFL	8	Main Breaker with Feed-Thru Lugs	150A	Gray
PM820RFL	8	Main Breaker with Feed-Thru Lugs	200A	Gray

PowerMark™ PRO Nomenclature

Characteristic	Character(s)	Description
Type of Load Center	P	PON designation
Main Type	LM	Main Lug Convertible
	M	Main Breaker
Max Number of 1" Spaces	8-60	Maximum Number of 1" Circuits for Breakers
	10	100A
	12	125A
	15	150A
	20	200A
Amperage	22	225A
	C	Combination Front, Gray Paint, NEMA 1 Enclosure
	W	Combination Front, White Paint, NEMA 1 Enclosure
Front/Paint/Enclosure	R	NEMA 3R Gray Paint
	Blank	No Special Suffix
Suffix	FL	Feed-Thru Lugs

—
ABB Inc.

305 Gregson Dr.
Cary, NC 27511
United States



electrification.us.abb.com

GE is a trademark of GE.

**Manufactured by ABB Inc. under license
from General Electric Company.**