

BALDOR • RELIANCE

Customer information packet

KEL11205

.33HP, 3475RPM, 1PH, 60HZ, 56C, 3413LC, OPEN, F

Class - None

Division - Not Applicable

Specifications

| | |
|--------------------------------|---|
| Enclosure | OPEN |
| Frame | 56C |
| Frame Material | Steel |
| Frequency | 60.00 Hz |
| Haz Area Class and Group | None |
| Haz Area Division | Not Applicable |
| Motor Letter Type | Cap Start, Cap Run |
| Output @ Frequency | .330 HP @ 60 HZ |
| Phase | 1 |
| Synchronous Speed @ Frequency | 3600 RPM @ 60 HZ |
| Voltage @ Frequency | 230.0 V @ 60 HZ 115.0 V @ 60 HZ 208.0 V @ 60 HZ |
| Agency Approvals | CURUSEEV |
| Ambient Temperature | 40 °C |
| Auxillary Box | No Auxillary Box |
| Auxillary Box Lead Termination | None |
| Base Indicator | No Mounting |
| Bearing Grease Type | Polyrex EM (-20F +300F) |
| Blower | None |
| Current @ Voltage | 1.500 A @ 230.0 V 1.600 A @ 208.0 V 3.000 A @ 115.0 V |
| Design Code | N |
| Drip Cover | Drip Cover |
| Duty Rating | CONT |
| Efficiency @ 100% Load | 70.5 % |
| Electrically Isolated Bearing | Not Electrically Isolated |
| Feedback Device | NO FEEDBACK |
| Front Face Code | Drip Cover Mounting |
| Front Shaft Indicator | None |
| Heater Indicator | No Heater |

Part detail

| | |
|--------------|------------|
| Revision | L |
| Type | AC |
| Mech. spec. | 34F534 |
| Base | |
| Status | PRD/A |
| Elec. spec. | 34WGR144 |
| Layout | 34LYF534 |
| Eff. date | 05-16-2024 |
| CD Diagram | CD0055 |
| Poles | 02 |
| Leads | 6#18 |
| Proprietary | False |
| Created date | 10-03-2014 |

| | |
|-------------------------------|---------------------|
| High Voltage Full Load Amps | 1.5 a |
| Insulation Class | B |
| Inverter Code | Not Inverter |
| KVA Code | H |
| Lifting Lugs | No Lifting Lugs |
| Locked Bearing Indicator | Locked Bearing |
| Motor Lead Exit | Ko Box |
| Motor Lead Quantity/Wire Size | 6 @ 18 AWG |
| Motor Lead Termination | Flying Leads |
| Motor Standards | NEMA |
| Motor Type | 3413LC |
| Mounting Arrangement | F1 |
| Number of Poles | 2 |
| Overall Length | 11.85 IN |
| Power Factor | 97 |
| Product Family | General Purpose |
| Pulley End Bearing Type | Ball |
| Pulley Face Code | C-Face |
| Pulley Shaft Indicator | Standard |
| Rodent Screen | None |
| RoHS Status | ROHS COMPLIANT |
| Service Factor | 1.35 |
| Shaft Diameter | 0.625 IN |
| Shaft Extension Location | Pulley End |
| Shaft Ground Indicator | No Shaft Grounding |
| Shaft Rotation | Reversible |
| Shaft Slinger Indicator | No Slinger |
| Speed | 3475 rpm |
| Speed Code | Single Speed |
| Starting Method | Direct on line |
| Thermal Device - Bearing | None |
| Thermal Device - Winding | None |
| Vibration Sensor Indicator | No Vibration Sensor |
| Winding Thermal 1 | None |

Winding Thermal 2

None

Nameplate

| NP3155L | | | | | | | | | |
|-----------------------|------------------|-------------|------------|------------|---|-----------|---|--|--|
| CAT.NO. | KEL11205 | | | | | | | | |
| SPEC. | 34F534R144G1 | | | | | | | | |
| HP | .33 | | | | | | | | |
| VOLTS | 115/208-230 | | | | | | | | |
| AMP | 3/1.6-1.5 | | | | | | | | |
| RPM | 3475 | | | | | | | | |
| FRAME | 56C | | HZ | 60 | | PH | 1 | | |
| SER.F. | 1.35 | CODE | H | DES | N | CL | B | | |
| F.L. AVG. EFF. | 70.5 | PF | 97 | | | | | | |
| RATING | 40C AMB-CONT | | | | | | | | |
| CC | | | | | | | | | |
| DE | 6203 | | ODE | 6203 | | | | | |
| ENCL | OPEN | SN | | | | | | | |
| | SFA 3.9/2.1-1.95 | | | | | | | | |

AC Induction Motor Performance Data

Record # 47424

Typical performance - not guaranteed values

| Winding: 34WGR144-R002 | | Type: 3413LC | | Enclosure: OPEN | |
|-------------------------------|--------------------------|----------------------------|---|--------------------------------|--|
| Nameplate Data | | | 115 V, 60 Hz: Low Voltage Connection | | |
| Rated Output (HP) | .33 | Full Load Torque | 0.495 LB-FT | | |
| Volts | 115/208-230 | Start Configuration | direct on line | | |
| Full Load Amps | 3/1.6-1.5 | Breakdown Torque | 1.37 LB-FT | | |
| R.P.M. | 3475 | Pull-up Torque | 1.11 LB-FT | | |
| Hz | 60 Phase | 1 | Locked-rotor Torque | 1.63 LB-FT | |
| NEMA Design Code | N KVA Code | H | Starting Current | 21.7 A | |
| Service Factor (S.F.) | 1.35 | | No-load Current | 0.91 A | |
| NEMA Nom. Eff. | 70.5 Power Factor | 97 | Line-line Res. @ 25°C | 1.8711 Ω A Ph 3.6847 Ω B Ph | |
| Rating - Duty | 40C AMB-CONT | | Temp. Rise @ Rated Load | 14°C | |
| S.F. Amps | 3.9/2.1-1.95 | | Temp. Rise @ S.F. Load | 17°C | |

Load Characteristics 115 V, 60 Hz, 0.33 HP

| % of Rated Load | 25 | 50 | 75 | 100 | 125 | 150 | S.F. |
|------------------------|-----------|-----------|-----------|------------|------------|------------|-------------|
| Power Factor | 97 | 98 | 98 | 99 | 99 | 98 | 99 |
| Efficiency | 43.3 | 61.5 | 70.3 | 74.5 | 76.4 | 77.7 | 76.9 |
| Speed | 3567.1 | 3549.9 | 3526.5 | 3501.3 | 3474.4 | 3445.4 | 3463 |
| Line amperes | 1.29 | 1.76 | 2.32 | 2.91 | 3.54 | 4.2 | 3.8 |

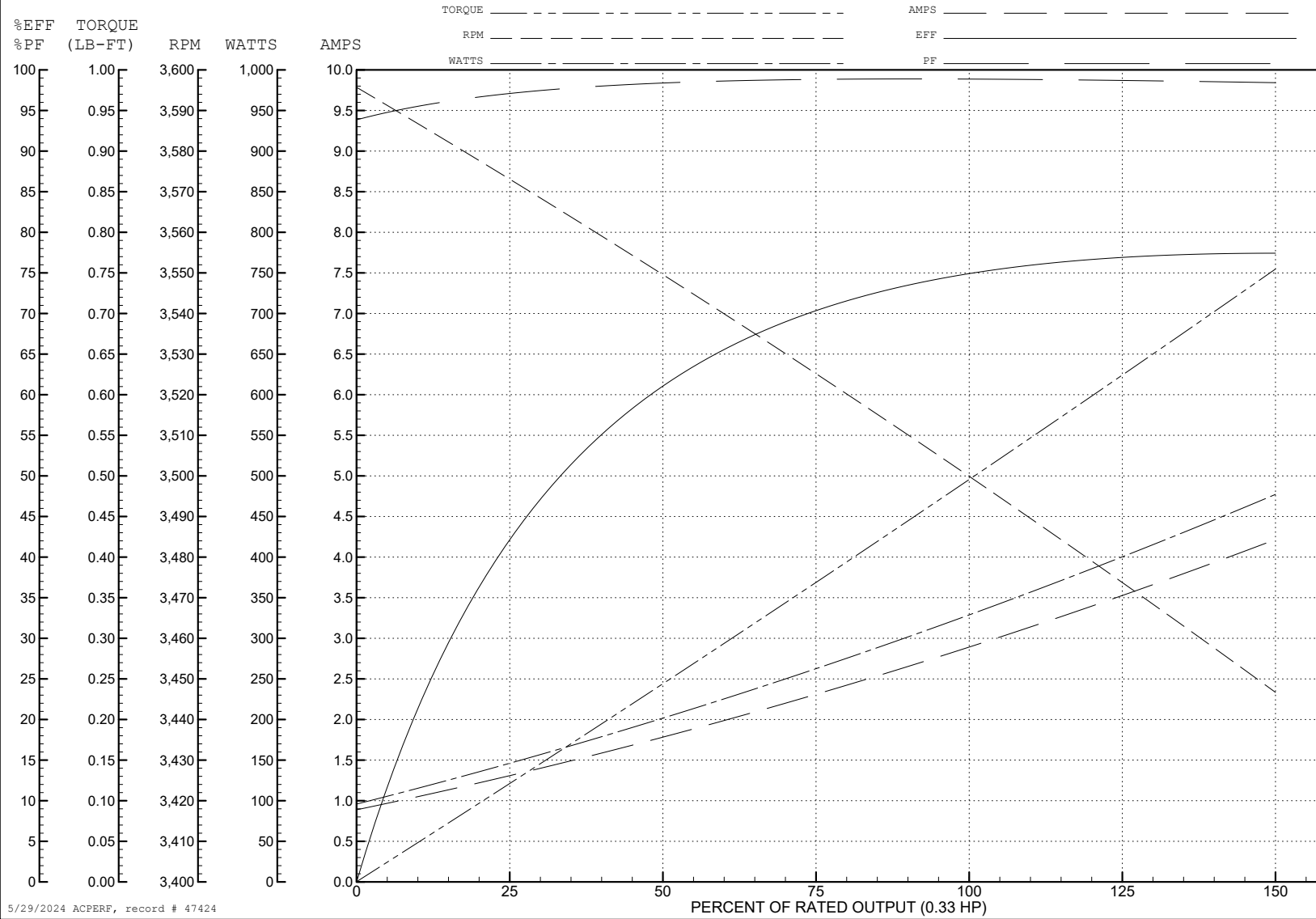
ABB Motors and Mechanical Inc.

WINDING # 34WGR144

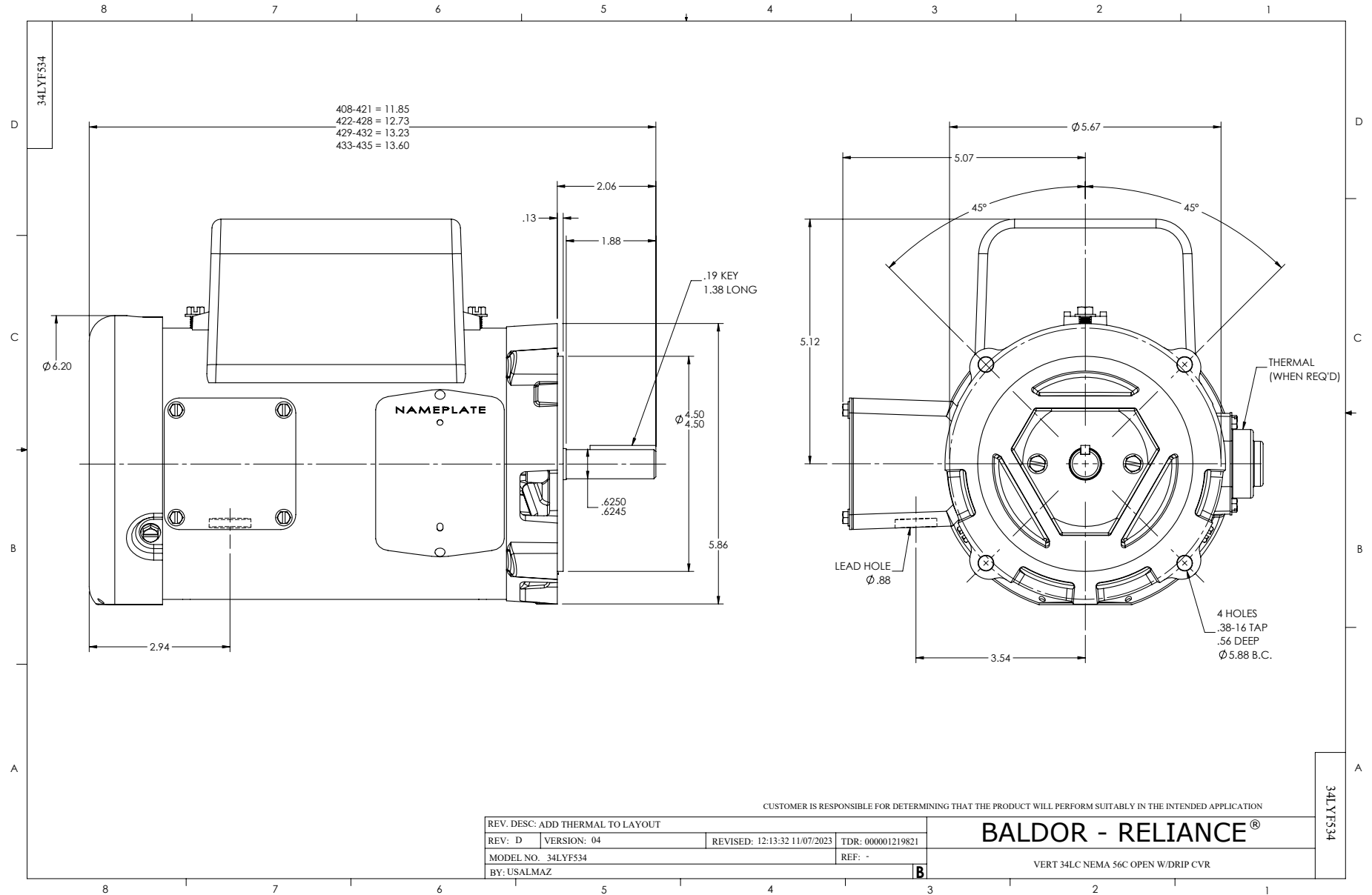
Typical performance - not guaranteed values.

0.33 HP 1 PH 60 HZ 3475 RPM 115 V 3413LC

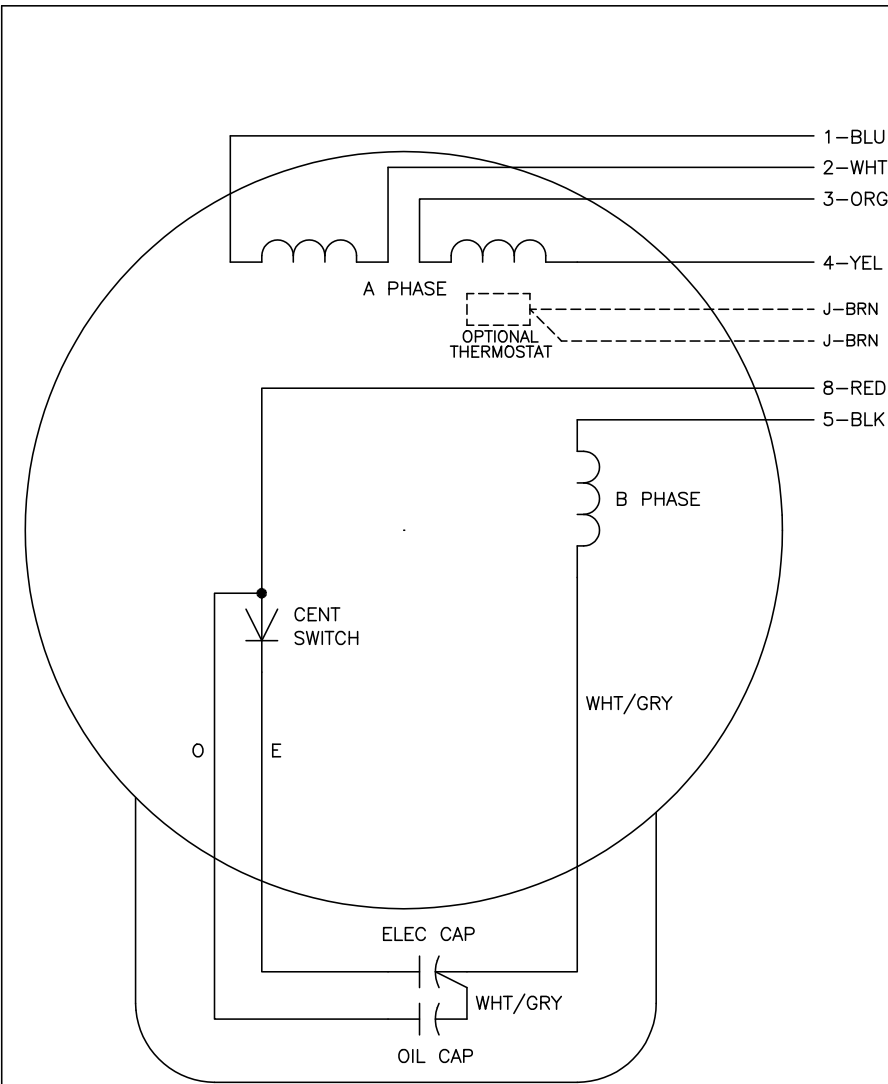
TORQUES (LB-FT): PO=1.37 PU=1.11 LR=1.63 LRA=21.7



5/29/2024 ACPERF, record # 47424



CD0055



| | LINE A | LINE B | JOIN |
|----------|--------|--------|-------|
| HIGH STD | 1 | 4,5 | 2,3,8 |
| HIGH OPP | 1 | 4,8 | 2,3,5 |
| LOW STD | 1,3,8 | 2,4,5 | - |
| LOW OPP | 1,3,5 | 2,4,8 | - |

NOTES:

1. STANDARD ROTATION IS CCW FACING END OPPOSITE SHAFT EXTENSION.
2. OPTIONAL THERMOSTAT IS PROVIDED WHEN SPECIFIED.
3. MULTIPLE CAPACITORS ARE CONNECTED IN PARALLEL UNLESS OTHERWISE SPECIFIED.
4. LEAD COLORS ARE OPTIONAL. LEADS MUST ALWAYS BE NUMBERED AS SHOWN.

CD0055

| | | | |
|---|---------|------------------------|--------------|
| REV. DESC: REVISE TO SHOW OPTIONAL COLORS | | | |
| REV. LTR: D | BY: JLP | REVISED: 04/08/99 1:17 | TDR: 0178636 |
| C00000 | | FILE: AAA00007414 | MDL: - |
| | | MTL: - | |

BALDOR ELECTRIC Co.

TYPE LC, DV, REV, 6 LEADS