



Customer information packet

EM3611T-5

3HP, 1760RPM, 3PH, 60HZ, 182T, 3632M, TEFC, F1

Class - None

Division - Not Applicable

Specifications

Enclosure	TEFC
Frame	182T
Frame Material	Steel
Frequency	60.00 Hz
Motor Letter Type	Three Phase
Output @ Frequency	3.000 HP @ 60 HZ
Phase	3
Synchronous Speed @ Frequency	1800 RPM @ 60 HZ
Voltage @ Frequency	575.0 V @ 60 HZ
XP Class and Group	None
XP Division	Not Applicable
Agency Approvals	CSA EEV CURUSEEV NEMA PREMIUM NEMA_PREMIUM UR
Ambient Temperature	40 °C
Auxillary Box	No Auxillary Box
Auxillary Box Lead Termination	None
Base Indicator	Rigid
Bearing Grease Type	Polyrex EM (-20F +300F)
Blower	None
Current @ Voltage	3.300 A @ 575.0 V
Design Code	B
Drip Cover	No Drip Cover
Duty Rating	CONT
Efficiency @ 100% Load	89.5 %
Electrically Isolated Bearing	Not Electrically Isolated
Feedback Device	NO FEEDBACK
Front Face Code	Standard
Front Shaft Indicator	None
Heater Indicator	No Heater

Part detail

Revision	C
Type	AC
Mech. spec.	36Q570
Base	
Status	PRD/A
Elec. spec.	36WGS582
Layout	36LYQ570
Eff. date	05-10-2016
CD Diagram	CD0006
Poles	04
Leads	3#16
Proprietary	False
Created date	09-02-2015

High Voltage Full Load Amps	3.3 a
Insulation Class	F
Inverter Code	Inverter Ready
KVA Code	K
Lifting Lugs	Standard Lifting Lugs
Locked Bearing Indicator	No Locked Bearing
Motor Lead Exit	Ko Box
Motor Lead Quantity/Wire Size	3 @ 16 AWG
Motor Lead Termination	Flying Leads
Motor Standards	NEMA
Motor Type	3632M
Mounting Arrangement	F1
Number of Poles	4
Overall Length	16.55 IN
Power Factor	75
Product Family	General Purpose
Pulley End Bearing Type	Ball
Pulley Face Code	Standard
Pulley Shaft Indicator	Standard
Rodent Screen	None
RoHS Status	ROHS COMPLIANT
Service Factor	1.15
Shaft Diameter	1.125 IN
Shaft Extension Location	Pulley End
Shaft Ground Indicator	No Shaft Grounding
Shaft Rotation	Reversible
Shaft Slinger Indicator	No Slinger
Speed	1760 rpm
Speed Code	Single Speed
Starting Method	Direct on line
Thermal Device - Bearing	None
Thermal Device - Winding	None
Vibration Sensor Indicator	No Vibration Sensor
Winding Thermal 1	None

Winding Thermal 2

None

Nameplate

NP3441L									
CAT.NO.	EM3611T-5								
SPEC.	36Q570S582G1								
HP	3								
VOLTS	575								
AMP	3.3								
RPM	1760								
FRAME	182T		HZ	60		PH	3		
SER.F.	1.15	CODE	K	DES	B	CL	F		
NEMA-NOM-EFF	89.5	PF	75						
RATING	40C AMB-CONT								
CC	010A		USABLE AT 208V				N/A		
DE	6206		ODE	6205					
ENCL	TEFC	SN							
VPWM INVERTER READY									
CT6-60H(10:1)VT3-60H(20:1)									

Accessories

Part number	Description	Multiplier
36-3301	C FACE KIT	A8
36EP1304A62SP	FLANGE MTD ENDPLATE 182-4TD -ENCL (LESS	A8

AC Induction Motor Performance Data

Record # 32437

Typical performance - not guaranteed values

Winding: 36WGS582-R001		Type: 3631M		Enclosure: TEFC	
Nameplate Data			575 V, 60 Hz: Single Voltage Motor		
Rated Output (HP)		3	Full Load Torque		8.88 LB-FT
Volts		575	Start Configuration		direct on line
Full Load Amps		3.3	Breakdown Torque		33.9 LB-FT
R.P.M.		1760	Pull-up Torque		19.5 LB-FT
Hz	60 Phase	3	Locked-rotor Torque		23 LB-FT
NEMA Design Code	B KVA Code	K	Starting Current		25.9 A
Service Factor (S.F.)		1.15	No-load Current		1.9 A
NEMA Nom. Eff.	89.5 Power Factor	75	Line-line Res. @ 25°C		6 Ω
Rating - Duty		40C AMB-CONT	Temp. Rise @ Rated Load		40°C
S.F. Amps			Temp. Rise @ S.F. Load		48°C
			Locked-rotor Power Factor		43
			Rotor inertia		0.289 LB-FT ²

Load Characteristics 575 V, 60 Hz, 3 HP

% of Rated Load	25	50	75	100	125	150	S.F.
Power Factor	33	54	67	75	79	82	77
Efficiency	80.5	87.7	89.5	89.5	88.9	87.6	89.1
Speed	1791	1782	1772	1762	1750	1738	1755
Line amperes	2.03	2.34	2.77	3.34	3.97	4.66	3.72

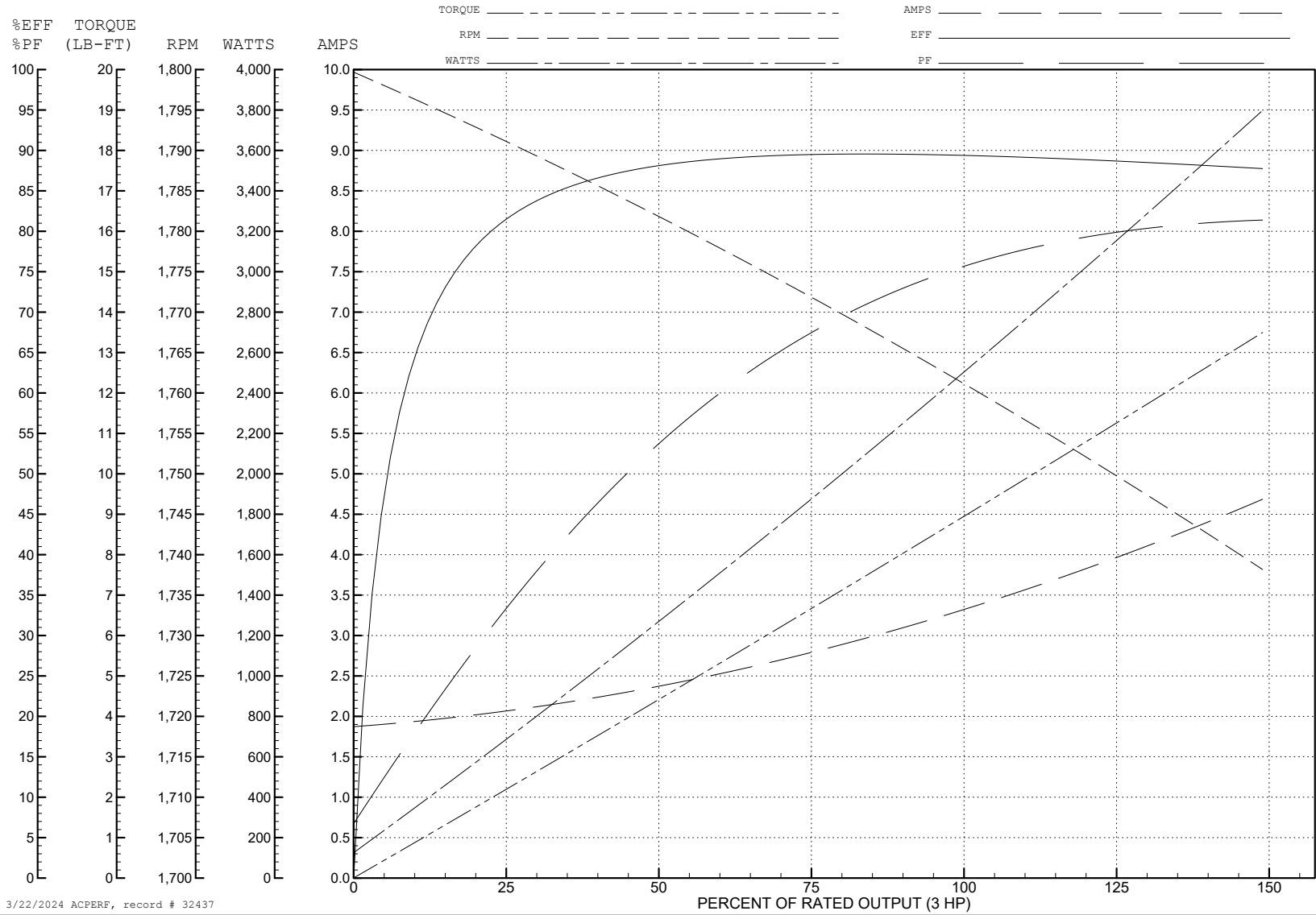
ABB Motors and Mechanical Inc.

WINDING # 36WGS582

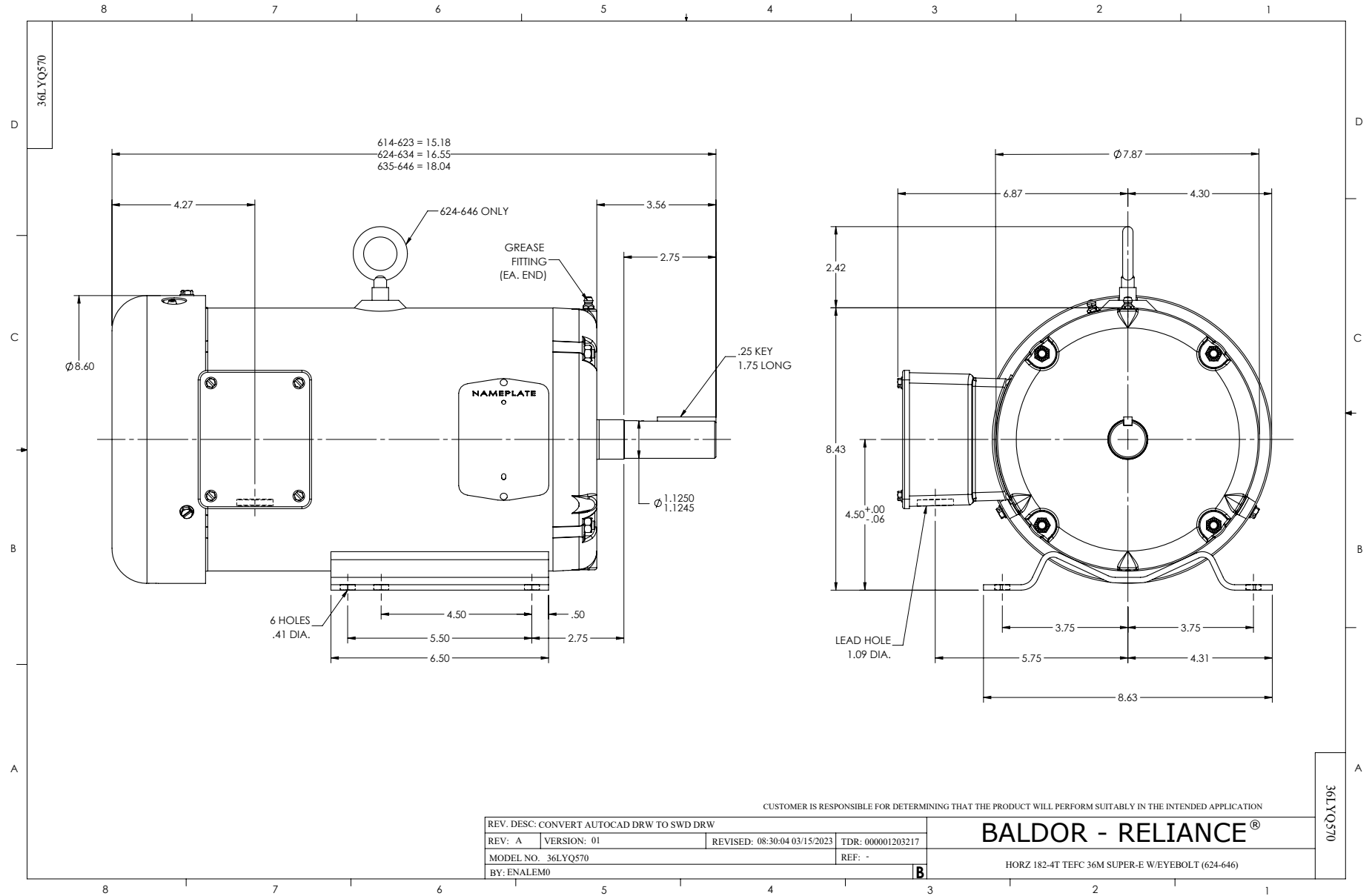
3 HP 3 PH 60 HZ 1760 RPM 575 V 3631M

Typical performance - not guaranteed values.

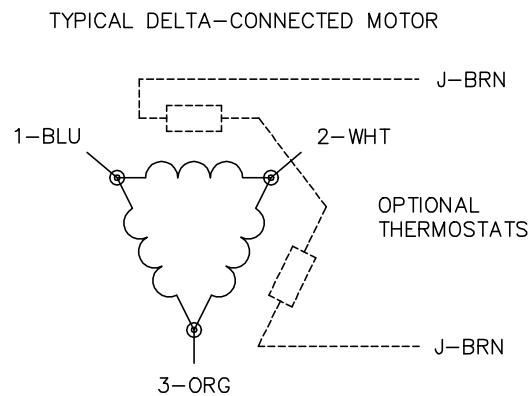
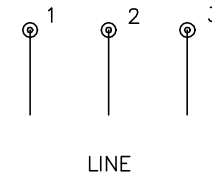
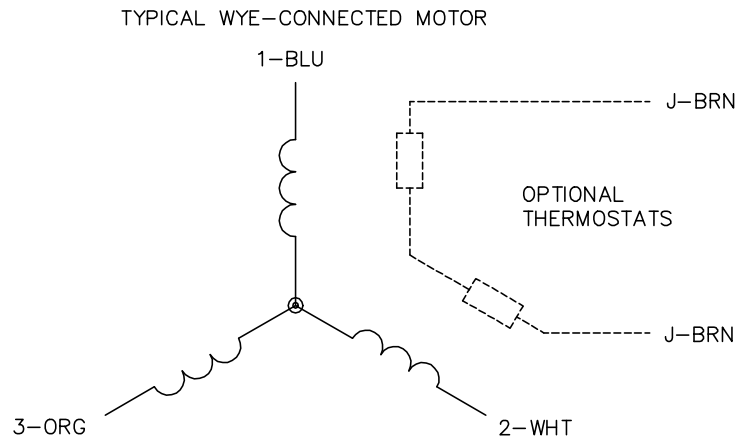
TORQUES (LB-FT): PO=33.9 PU=19.5 LR=23 LRA=25.9



3/22/2024 ACPERF, record # 32437



CD0006



NOTES:

1. THREE LEAD MOTOR MAY BE EITHER WYE CONNECTED OR DELTA CONNECTED.
2. INTERCHANGE ANY TWO LINE LEADS TO REVERSE ROTATION.
3. OPTIONAL THERMOSTATS ARE PROVIDED WHEN SPECIFIED.
4. ACTUAL NUMBER OF INTERNAL PARALLEL CIRCUITS MAY VARY.
5. LEAD COLORS ARE OPTIONAL. LEADS MUST BE NUMBERED AS SHOWN.

CD0006

REV. DESC: ADD CLASS CONN00000007		
REV. LTR: E	VERSION: 01	TDR: 000001099922
FILE: \AAA\00005\141	REVISED: 10:24:49 02/19/2019	BY: ENBRIRO
MTL: -	© □	

BALDOR - RELIANCE®

3PH, SV, 3 LEADS, WYE OR DELTA CONNECTED

SH 1 of 1