



---

# Customer information packet

## EM3583T

1.5HP, 3500RPM, 3PH, 60HZ, 143T, 0520M, TEFC, F

Class - None

Division - Not Applicable

## Specifications

Enclosure	TEFC
Frame	143T
Frame Material	Iron
Frequency	60.00 Hz
Motor Letter Type	Three Phase
Output @ Frequency	1.500 HP @ 60 HZ
Phase	3
Synchronous Speed @ Frequency	3600 RPM @ 60 HZ
Voltage @ Frequency	230.0 V @ 60 HZ 460.0 V @ 60 HZ
XP Class and Group	None
XP Division	Not Applicable
Agency Approvals	CURUSEEV NEMA PREMIUM NEMA_PREMIUM UR CSA EEV
Ambient Temperature	40 °C
Auxillary Box	No Auxillary Box
Auxillary Box Lead Termination	None
Base Indicator	Rigid
Bearing Grease Type	Polyrex EM (-20F +300F)
Blower	None
Current @ Voltage	4.000 A @ 208.0 V 3.800 A @ 230.0 V 1.900 A @ 460.0 V
Design Code	B
Drip Cover	No Drip Cover
Duty Rating	CONT
Efficiency @ 100% Load	84.0 %
Electrically Isolated Bearing	Not Electrically Isolated
Feedback Device	NO FEEDBACK

## Part detail

Revision	T
Type	AC
Mech. spec.	05C001
Base	
Status	PRD/A
Elec. spec.	05WGX102
Layout	05LYC001
Eff. date	06-03-2019
CD Diagram	CD0005
Poles	02
Leads	9#18
Proprietary	False
Created date	05-21-2010

Front Face Code	Standard
Front Shaft Indicator	None
Heater Indicator	No Heater
High Voltage Full Load Amps	1.9 a
Insulation Class	F
Inverter Code	Inverter Ready
IP Rating	NONE
KVA Code	L
Lifting Lugs	Standard Lifting Lugs
Locked Bearing Indicator	No Locked Bearing
Motor Lead Exit	Ko Box
Motor Lead Quantity/Wire Size	9 @ 18 AWG
Motor Lead Termination	Flying Leads
Motor Standards	NEMA
Motor Type	0520M
Mounting Arrangement	F1
Number of Poles	2
Overall Length	12.54 IN
Power Factor	85
Product Family	General Purpose
Pulley End Bearing Type	Ball
Pulley Face Code	Standard
Pulley Shaft Indicator	Standard
Rodent Screen	None
RoHS Status	ROHS COMPLIANT
Service Factor	1.15
Shaft Diameter	0.875 IN
Shaft Extension Location	Pulley End
Shaft Ground Indicator	No Shaft Grounding
Shaft Rotation	Reversible
Shaft Slinger Indicator	No Slinger
Speed	3500 rpm
Speed Code	Single Speed
Starting Method	Direct on line

<b>Thermal Device - Bearing</b>	None
<b>Thermal Device - Winding</b>	None
<b>Vibration Sensor Indicator</b>	No Vibration Sensor
<b>Winding Thermal 1</b>	None
<b>Winding Thermal 2</b>	None

**Nameplate**

**NP3441LUA**

<b>CAT.NO.</b>	EM3583T						
<b>SPEC</b>	05C001X102G1						
<b>HP</b>	1.5						
<b>VOLTS</b>	230/460						
<b>AMPS</b>	3.8/1.9						
<b>RPM</b>	3500						
<b>FRAME</b>	143T	<b>HZ</b>	60	<b>PH</b>	3		
<b>SF</b>	1.15	<b>CODE</b>	L	<b>DES</b>	B	<b>CLASS</b>	F
<b>NEMA NOM. EFF</b>	84	<b>PF</b>	85				
<b>RATING</b>	40C AMB-CONT						
<b>CC</b>	010A	<b>USABLE AT 208V</b>				N/A	
<b>ENCL</b>	TEFC	<b>SER</b>					
<b>DE</b>	6205	<b>ODE</b>	6203				
<b>VPWM INVERTER READY</b>							
<b>CT6-60H(10:1)VT3-60H(20:1</b>	50Hz 1.5HP 190/380V 4.6/2.3A						SF1.0

**Accessories**

<b>Part number</b>	<b>Description</b>	<b>Multiplier</b>
35-1300	C FACE KIT	A8

**AC Induction Motor Performance Data**

Record # 53119

Typical performance - not guaranteed values

Winding: 05WGX102-R008		Type: 0520M		Enclosure: TEFC			
<b>Nameplate Data</b>			<b>460 V, 60 Hz: High Voltage Connection</b>				
Rated Output (HP)	1.5	Full Load Torque	2.22 LB-FT				
Volts	230/460	Start Configuration	direct on line				
Full Load Amps	3.8/1.9	Breakdown Torque	9.49 LB-FT				
R.P.M.	3500	Pull-up Torque	3.61 LB-FT				
Hz	60 Phase	3	Locked-rotor Torque	7.35 LB-FT			
NEMA Design Code	B	KVA Code	L	Starting Current	17.9 A		
Service Factor (S.F.)	1.15	No-load Current	0.932 A				
NEMA Nom. Eff.	84	Power Factor	85	Line-line Res. @ 25°C	12.2 Ω		
Rating - Duty	40C AMB-CONT		Temp. Rise @ Rated Load	43°C			
S.F. Amps			Temp. Rise @ S.F. Load	50°C			
			Locked-rotor Power Factor	60.1			
			Rotor inertia	0.0553 LB-FT <sup>2</sup>			

**Load Characteristics 460 V, 60 Hz, 1.5 HP**

% of Rated Load	25	50	75	100	125	150	S.F.
Power Factor	45	67	79	85	89	90	87
Efficiency	72.3	82.2	84.4	84.8	84.3	82.8	84.5
Speed	3575	3551	3526	3498	3466	3433	3479
Line amperes	1.03	1.25	1.55	1.91	2.31	2.79	2.15

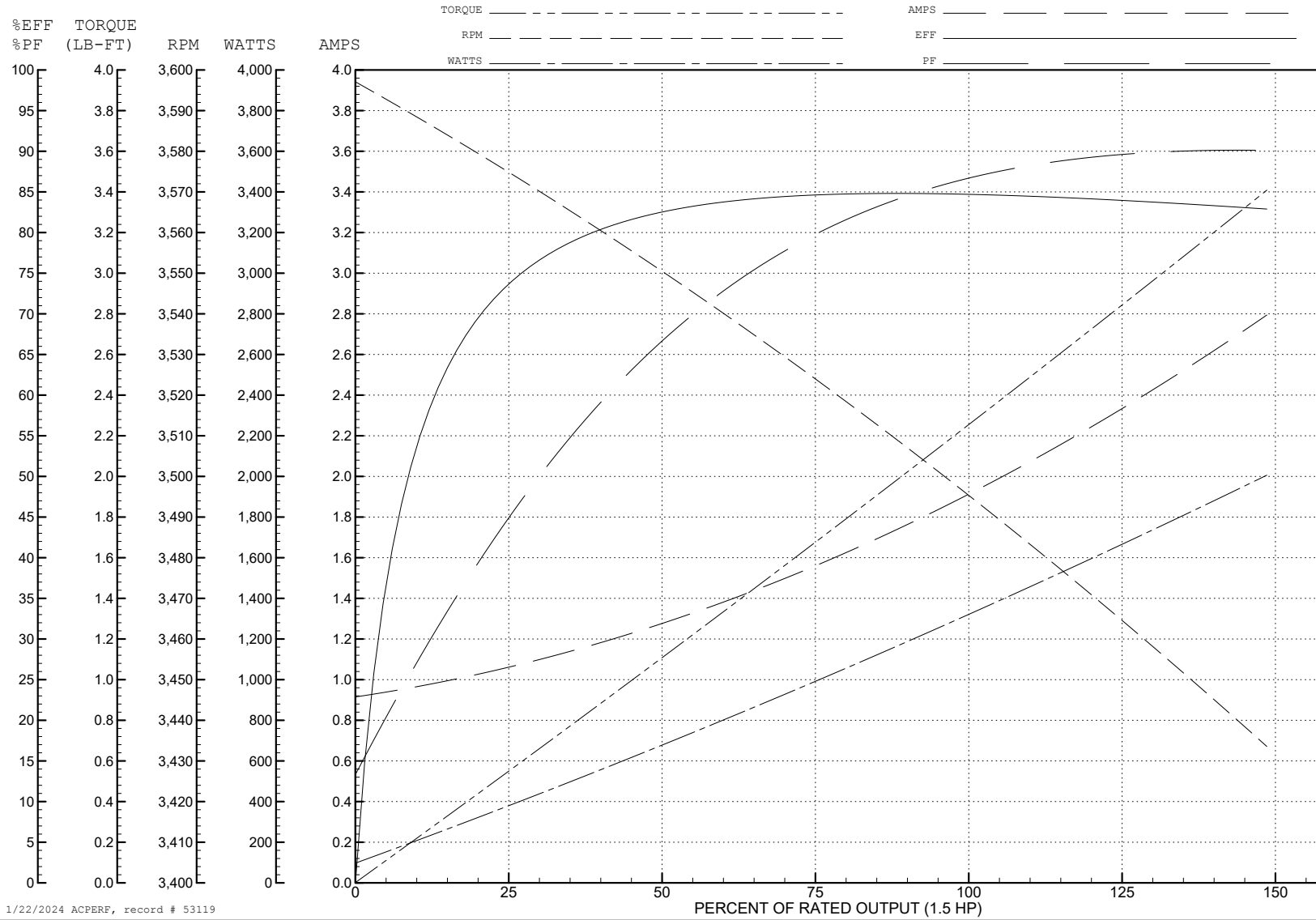
ABB Motors and Mechanical Inc.

WINDING # 05WGX102

Typical performance - not guaranteed values.

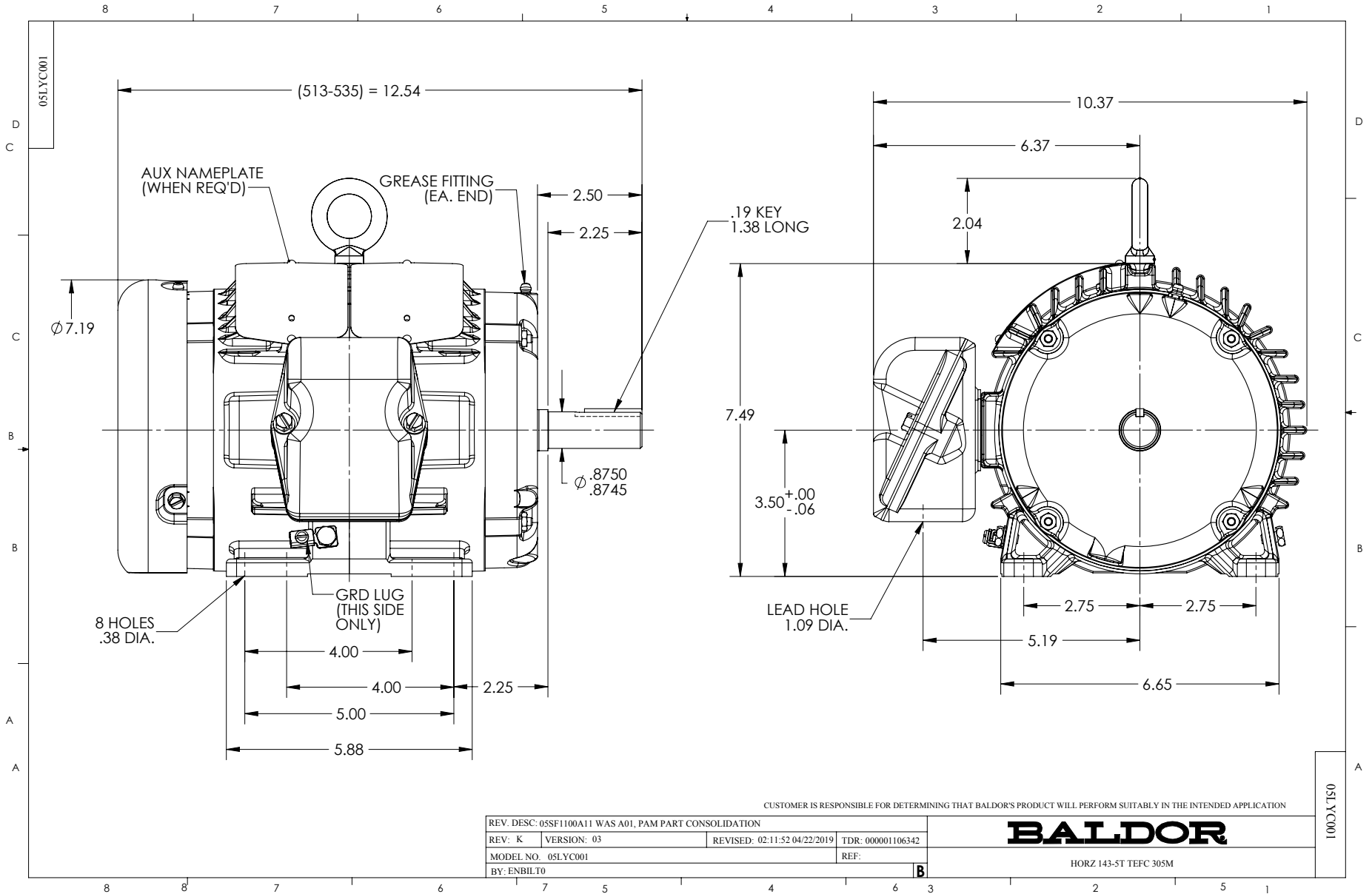
1.5 HP 3 PH 60 HZ 3500 RPM 460 V 0520M

TORQUES (LB-FT): PO=9.49 PU=3.61 LR=7.35 LRA=17.9

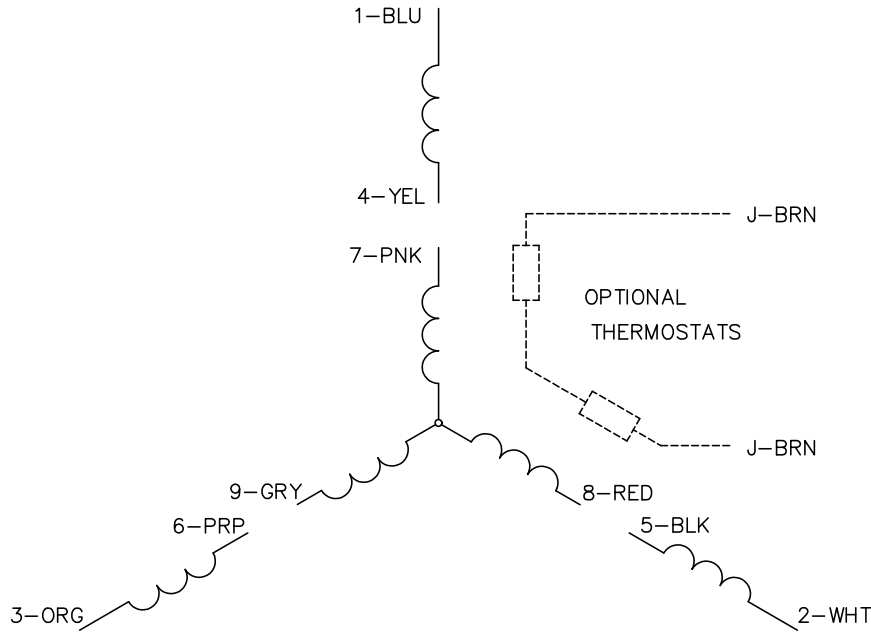


1/22/2024 ACPERF, record # 53119

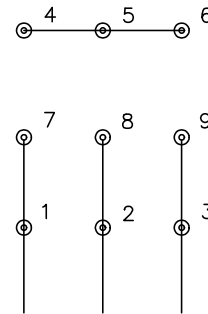




CD0005

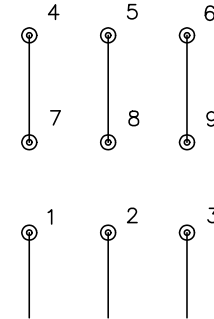


LOW VOLTAGE  
(2Y)



LINE

HIGH VOLTAGE  
(1Y)



LINE

NOTES:

1. INTERCHANGE ANY TWO LINE LEADS TO REVERSE ROTATION.
2. OPTIONAL THERMOSTATS ARE PROVIDED WHEN SPECIFIED.
3. ACTUAL NUMBER OF INTERNAL PARALLEL CIRCUITS MAY BE A MULTIPLE OF THOSE SHOWN ABOVE.
4. LEAD COLORS ARE OPTIONAL. LEADS MUST ALWAYS BE NUMBERED AS SHOWN.

CD0005

REV. DESC: REVISE TO SHOW OPTIONAL COLORS			
REV. LTR: E	BY: JLP	REVISED: 01/19/99 10:15	TDR: 0171435
S00000		FILE: AAA00005140	MDL: -
		MTL: -	

BALDOR ELECTRIC Co.

3PH, DV, 9 LEADS