



---

# Customer information packet

## EM3558T-5

2HP, 1764RPM, 3PH, 60HZ, 145T, 3528M, TEFC, F1

Class - None

Division - Not Applicable

## Specifications

Enclosure	TEFC
Frame	145T
Frame Material	Steel
Frequency	60.00 Hz
Motor Letter Type	Three Phase
Output @ Frequency	2.000 HP @ 60 HZ
Phase	3
Synchronous Speed @ Frequency	1800 RPM @ 60 HZ
Voltage @ Frequency	575.0 V @ 60 HZ
XP Class and Group	None
XP Division	Not Applicable
Agency Approvals	NEMA PREMIUM NEMA_PREMIUM UR CSA EEV
Ambient Temperature	40 °C
Auxillary Box	No Auxillary Box
Auxillary Box Lead Termination	None
Base Indicator	Rigid
Bearing Grease Type	Polyrex EM (-20F +300F)
Blower	None
Current @ Voltage	2.150 A @ 575.0 V
Design Code	B
Drip Cover	No Drip Cover
Duty Rating	CONT
Efficiency @ 100% Load	86.5 %
Electrically Isolated Bearing	Not Electrically Isolated
Feedback Device	NO FEEDBACK
Front Shaft Indicator	None
Heater Indicator	No Heater
High Voltage Full Load Amps	2.2 a
Insulation Class	F

## Part detail

Revision	E
Type	AC
Mech. spec.	35AA001
Base	
Status	PRD/A
Elec. spec.	35WGG113
Layout	35LYAA001
Eff. date	11-15-2023
CD Diagram	CD0006
Poles	04
Leads	3#18
Proprietary	False
Created date	10-01-2021

Inverter Code	Not Inverter
KVA Code	L
Lifting Lugs	No Lifting Lugs
Locked Bearing Indicator	No Locked Bearing
Motor Lead Quantity/Wire Size	3 @ 18 AWG
Motor Lead Termination	Flying Leads
Motor Standards	NEMA
Motor Type	3528M
Mounting Arrangement	F1
Number of Poles	4
Overall Length	13.31 IN
Power Factor	80
Product Family	General Purpose
Pulley End Bearing Type	Ball
Pulley Face Code	Standard
Pulley Shaft Indicator	Standard
Rodent Screen	None
Service Factor	1.15
Shaft Diameter	0.875 IN
Shaft Ground Indicator	No Shaft Grounding
Shaft Rotation	Reversible
Shaft Slinger Indicator	No Slinger
Speed	1764 rpm
Speed Code	Single Speed
Starting Method	Direct on line
Thermal Device - Bearing	None
Thermal Device - Winding	None
Vibration Sensor Indicator	No Vibration Sensor
Winding Thermal 1	None
Winding Thermal 2	None

**Nameplate**

<b>NP3441L</b>									
<b>CAT.NO.</b>									
<b>SPEC.</b>	35AA001G113G1								
<b>HP</b>	2								
<b>VOLTS</b>	575								
<b>AMP</b>	2.15								
<b>RPM</b>	1765								
<b>FRAME</b>	145T		<b>HZ</b>	60		<b>PH</b>	3		
<b>SER.F.</b>	1.15	<b>CODE</b>	L	<b>DES</b>	B	<b>CL</b>	F		
<b>NEMA-NOM-EFF</b>	86.5	<b>PF</b>	80						
<b>RATING</b>	40C AMB-CONT								
<b>CC</b>	010A	<b>USABLE AT 208V</b>					N/A		
<b>DE</b>	6205	<b>ODE</b>	6203						
<b>ENCL</b>	TEFC	<b>SN</b>							
<b>VPWM INVERTER READY</b>									
<b>CT6-60H(10:1)VT3-60H(20:1</b>									
SFA 2.56									

**Accessories**

<b>Part number</b>	<b>Description</b>	<b>Multiplier</b>
35-8762	C FACE KIT	A8
35EP1506A01SP	D-FLANGE KIT	A8

**AC Induction Motor Performance Data**

Record # 81982

Typical performance - not guaranteed values

<b>Winding: 35WGG113-R001</b>		<b>Type: 3528M</b>		<b>Enclosure: TEFC</b>	
<b>Nameplate Data</b>			<b>575 V, 60 Hz: Single Voltage Motor</b>		
<b>Rated Output (HP)</b>		2	<b>Full Load Torque</b>		5.95 LB-FT
<b>Volts</b>		575	<b>Start Configuration</b>		direct on line
<b>Full Load Amps</b>		2.15	<b>Breakdown Torque</b>		23.7 LB-FT
<b>R.P.M.</b>		1764	<b>Pull-up Torque</b>		14.43 LB-FT
<b>Hz</b>	60	<b>Phase</b>	3	<b>Locked-rotor Torque</b>	17.45 LB-FT
<b>NEMA Design Code</b>	B	<b>KVA Code</b>	L	<b>Starting Current</b>	19.89 A
<b>Service Factor (S.F.)</b>		1	<b>No-load Current</b>		1.39 A
<b>NEMA Nom. Eff.</b>	86.5	<b>Power Factor</b>	80	<b>Line-line Res. @ 25°C</b>	15 Ω
<b>Rating - Duty</b>		40C	AMB-CONT	<b>Temp. Rise @ Rated Load</b>	58°C
				<b>Locked-rotor Power Factor</b>	57
				<b>Rotor inertia</b>	0.188 lb-ft <sup>2</sup>

**Load Characteristics 575 V, 60 Hz, 2 HP**

<b>% of Rated Load</b>	<b>25</b>	<b>50</b>	<b>75</b>	<b>100</b>	<b>125</b>	<b>150</b>
<b>Power Factor</b>	34	54	68	76	81	84
<b>Efficiency</b>	77	84.7	86.6	86.3	85.3	83.7
<b>Speed</b>	1791	1783	1775	1766	1757	1745
<b>Line amperes</b>	1.45	1.64	1.93	2.29	2.74	3.19

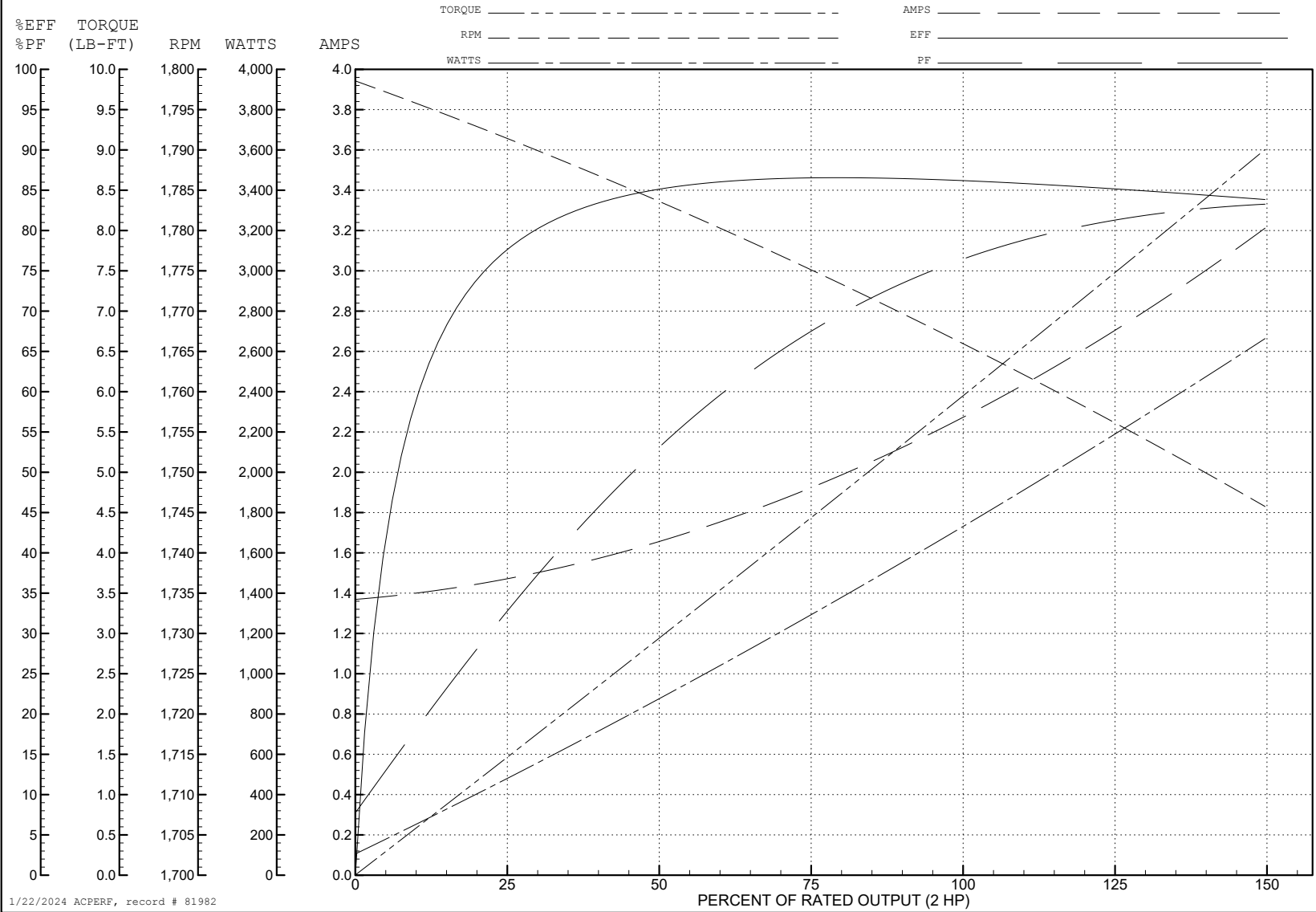
ABB Motors and Mechanical Inc.

WINDING # 35WGG113

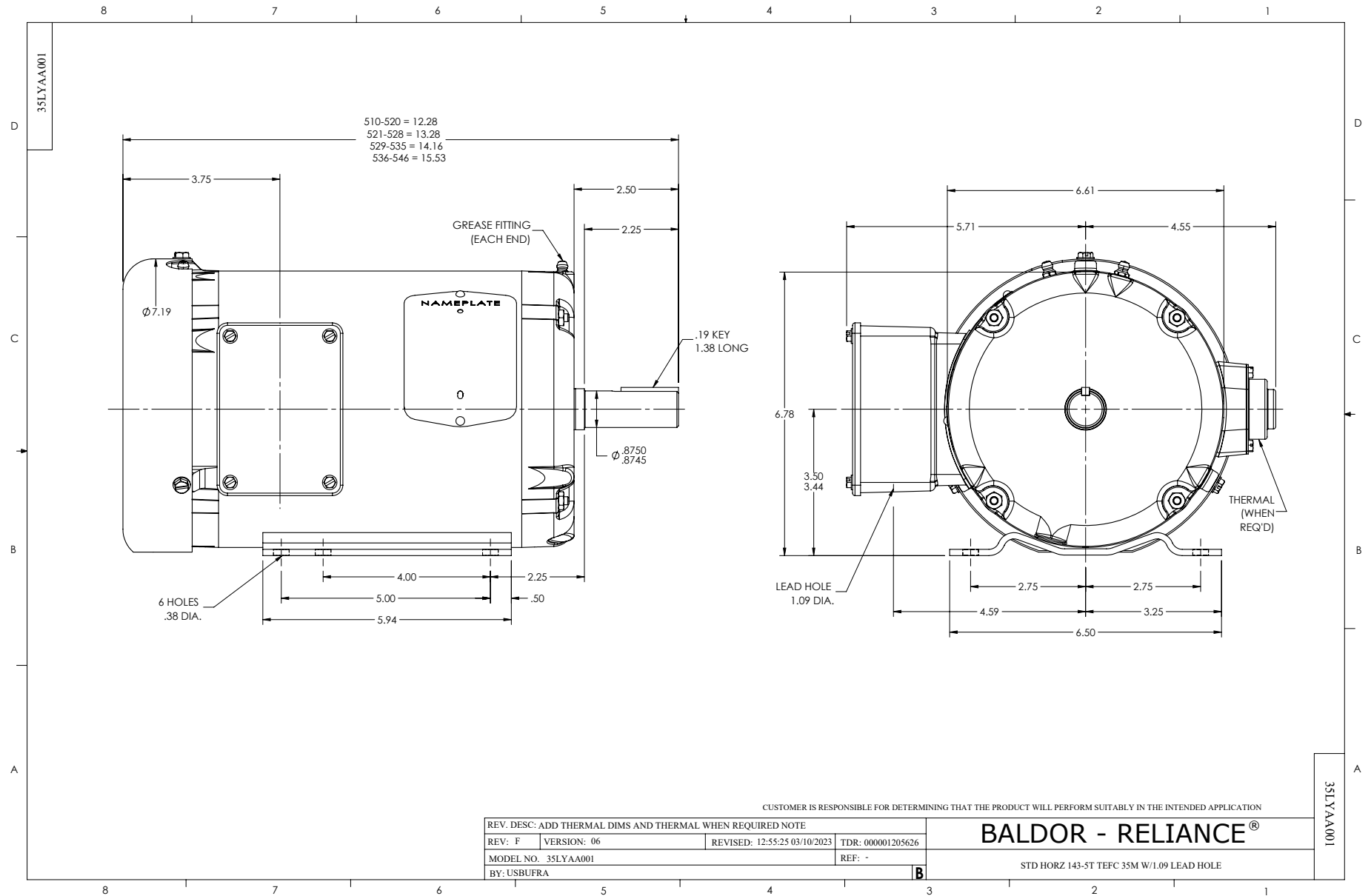
2 HP 3 PH 60 HZ 1764 RPM 575 V 3528M

Typical performance - not guaranteed values.

TORQUES (LB-FT): PO=23.7 PU=14.43 LR=17.45 LRA=19.89

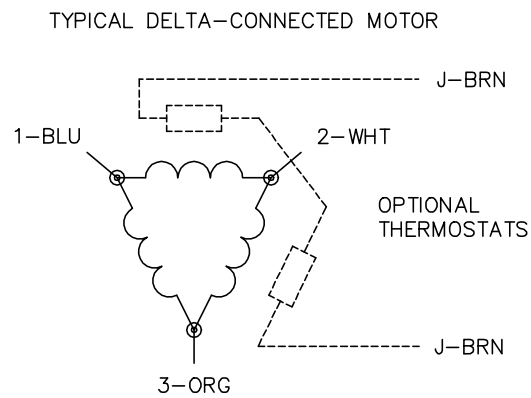
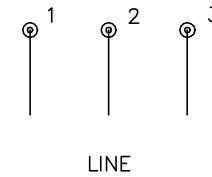
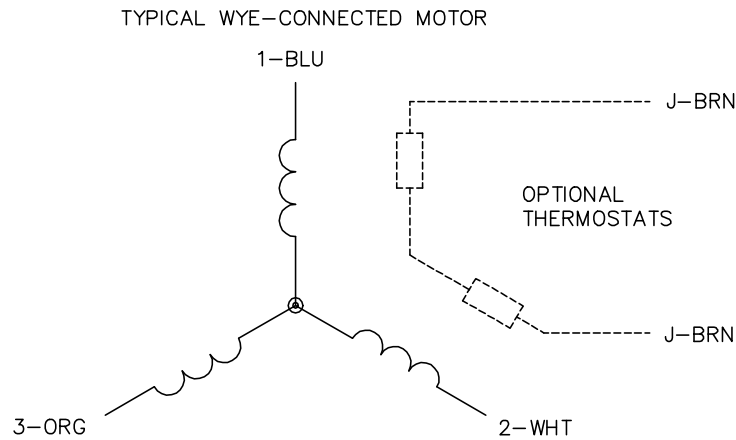


1/22/2024 ACPERF, record # 81982





CD0006



NOTES:

1. THREE LEAD MOTOR MAY BE EITHER WYE CONNECTED OR DELTA CONNECTED.
2. INTERCHANGE ANY TWO LINE LEADS TO REVERSE ROTATION.
3. OPTIONAL THERMOSTATS ARE PROVIDED WHEN SPECIFIED.
4. ACTUAL NUMBER OF INTERNAL PARALLEL CIRCUITS MAY VARY.
5. LEAD COLORS ARE OPTIONAL. LEADS MUST BE NUMBERED AS SHOWN.

CD0006

REV. DESC: ADD CLASS CONN00000007		
REV. LTR: E	VERSION: 01	TDR: 000001099922
FILE: \AAA\00005\141	REVISED: 10:24:49 02/19/2019	BY: ENBRIRO
MTL: -	© □	

**BALDOR - RELIANCE®**

3PH, SV, 3 LEADS, WYE OR DELTA CONNECTED

SH 1 of 1