

BALDOR • RELIANCE

Customer information packet

EM3550T-5

1.5HP, 3500RPM, 3PH, 60HZ, 143T, 3520M, TEFC, F

Class - None

Division - Not Applicable

Specifications

Enclosure	TEFC
Frame	143T
Frame Material	Steel
Frequency	60.00 Hz
Motor Letter Type	Three Phase
Output @ Frequency	1.500 HP @ 60 HZ
Phase	3
Synchronous Speed @ Frequency	3600 RPM @ 60 HZ
Voltage @ Frequency	575.0 V @ 60 HZ
XP Class and Group	None
XP Division	Not Applicable
Agency Approvals	NEMA_PREMIUM CSA EEV NEMA PREMIUM UR
Ambient Temperature	40 °C
Auxillary Box	No Auxillary Box
Auxillary Box Lead Termination	None
Base Indicator	Rigid
Bearing Grease Type	Polyrex EM (-20F +300F)
Blower	None
Current @ Voltage	1.500 A @ 575.0 V
Design Code	B
Drip Cover	No Drip Cover
Duty Rating	CONT
Efficiency @ 100% Load	84.0 %
Electrically Isolated Bearing	Not Electrically Isolated
Feedback Device	NO FEEDBACK
Front Face Code	Standard
Front Shaft Indicator	None
Heater Indicator	No Heater
High Voltage Full Load Amps	1.5 a

Part detail

Revision	M
Type	AC
Mech. spec.	35TT638
Base	
Status	PRD/A
Elec. spec.	35WGM784
Layout	35LYTT638
Eff. date	11-08-2018
CD Diagram	CD0006
Poles	02
Leads	3#18
Proprietary	False
Created date	05-16-2012

Insulation Class	F
Inverter Code	Inverter Ready
IP Rating	NONE
KVA Code	L
Lifting Lugs	No Lifting Lugs
Locked Bearing Indicator	No Locked Bearing
Motor Lead Exit	Ko Box
Motor Lead Quantity/Wire Size	3 @ 18 AWG
Motor Lead Termination	Flying Leads
Motor Standards	NEMA
Motor Type	3520M
Mounting Arrangement	F1
Number of Poles	2
Overall Length	12.29 IN
Power Factor	85
Product Family	General Purpose
Pulley End Bearing Type	Ball
Pulley Face Code	Standard
Pulley Shaft Indicator	Standard
Rodent Screen	None
RoHS Status	ROHS COMPLIANT
Service Factor	1.15
Shaft Diameter	0.875 IN
Shaft Extension Location	Pulley End
Shaft Ground Indicator	No Shaft Grounding
Shaft Rotation	Reversible
Shaft Slinger Indicator	No Slinger
Speed	3500 rpm
Speed Code	Single Speed
Starting Method	Direct on line
Thermal Device - Bearing	None
Thermal Device - Winding	None
Vibration Sensor Indicator	No Vibration Sensor
Winding Thermal 1	None

Winding Thermal 2

None

Nameplate

NP3441L									
CAT.NO.									
SPEC.	35TT638M784G1								
HP	1.5								
VOLTS	575								
AMP	1.5								
RPM	3500								
FRAME	143T		HZ	60		PH	3		
SER.F.	1.15	CODE	L	DES	B	CL	F		
NEMA-NOM-EFF	84	PF	85						
RATING	40C AMB-CONT								
CC	010A	USABLE AT 208V					N/A		
DE	6205	ODE	6203						
ENCL	TEFC	SN							
VPWM INVERTER READY									
CT6-60H(10:1)VT3-60H(20:1)									

AC Induction Motor Performance Data

Record # 31306

Typical performance - not guaranteed values

Winding: 35WGM784-R001		Type: 3520M		Enclosure: TEFC	
Nameplate Data			575 V, 60 Hz: Single Voltage Motor		
Rated Output (HP)	1.5	Full Load Torque	2.22 LB-FT		
Volts	575	Start Configuration	direct on line		
Full Load Amps	1.5	Breakdown Torque	9.55 LB-FT		
R.P.M.	3500	Pull-up Torque	3.64 LB-FT		
Hz	60 Phase	3	Locked-rotor Torque	7.41 LB-FT	
NEMA Design Code	B	KVA Code	L	Starting Current	14.5 A
Service Factor (S.F.)	1.15	No-load Current	0.763 A		
NEMA Nom. Eff.	84	Power Factor	85	Line-line Res. @ 25°C	19.2 Ω
Rating - Duty	40C AMB-CONT		Temp. Rise @ Rated Load	43°C	
S.F. Amps			Temp. Rise @ S.F. Load	51°C	
			Locked-rotor Power Factor	61	
			Rotor inertia	0.0553 LB-FT ²	

Load Characteristics 575 V, 60 Hz, 1.5 HP

% of Rated Load	25	50	75	100	125	150	S.F.
Power Factor	44	66	78	85	89	90	87
Efficiency	72.1	82.1	84.3	84.7	84.3	82.8	84.5
Speed	3575	3552	3527	3499	3468	3434	3480
Line amperes	0.839	1.01	1.25	1.54	1.85	2.24	1.73

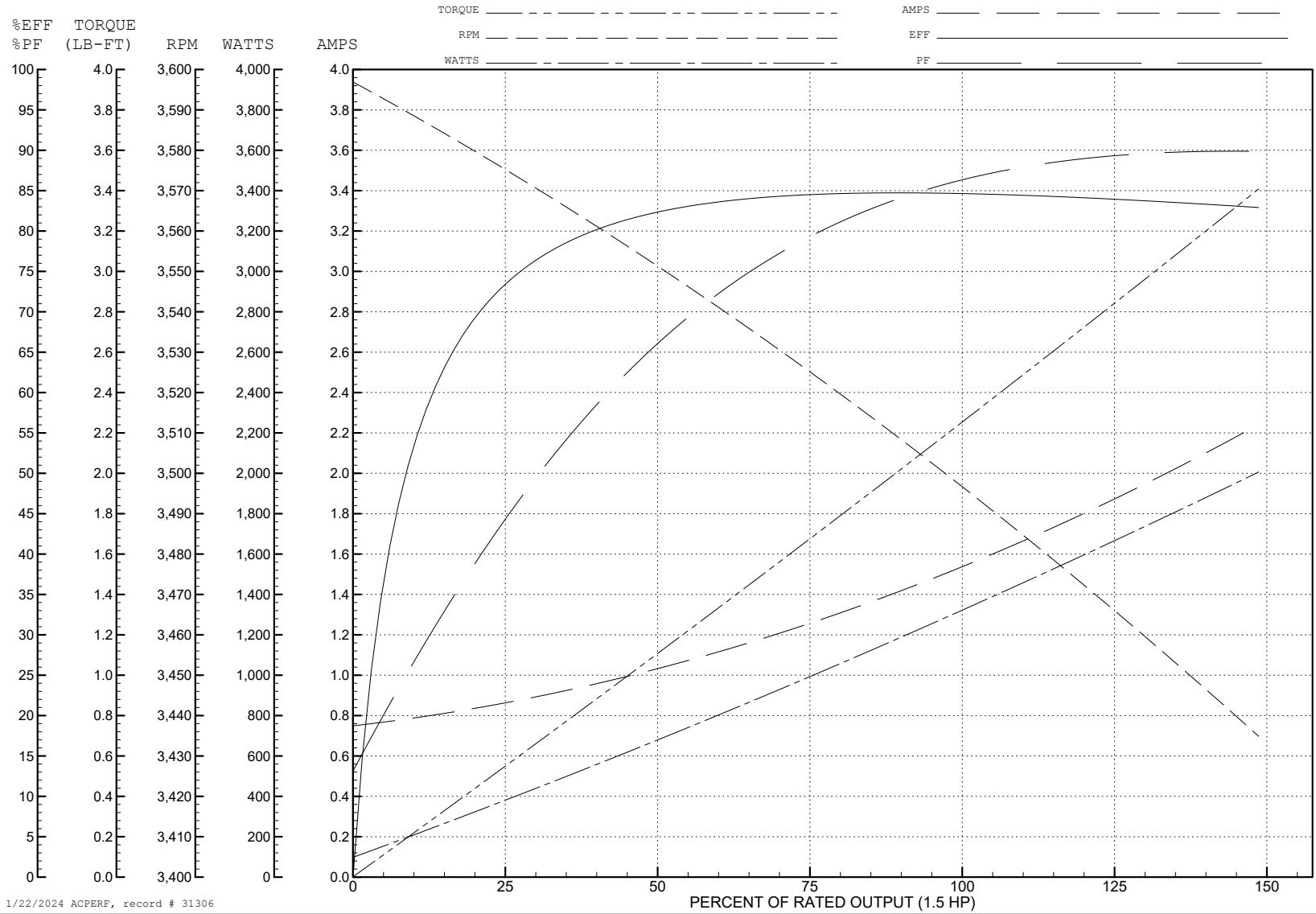
ABB Motors and Mechanical Inc.

WINDING # 35WGM784

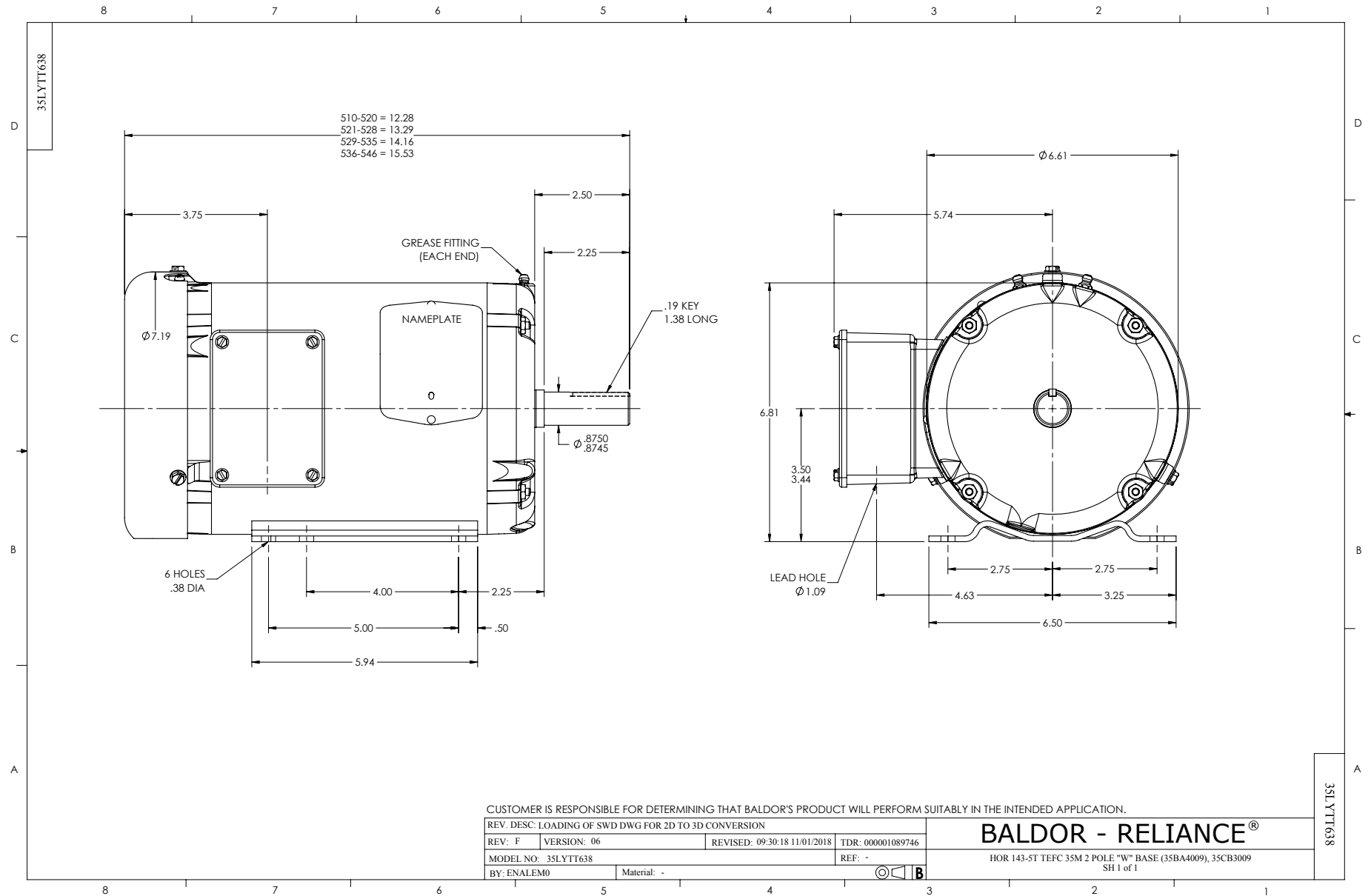
1.5 HP 3 PH 60 HZ 3500 RPM 575 V 3520M

Typical performance - not guaranteed values.

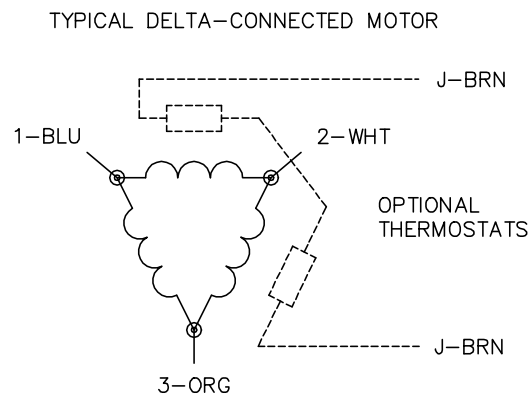
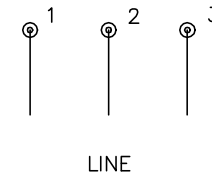
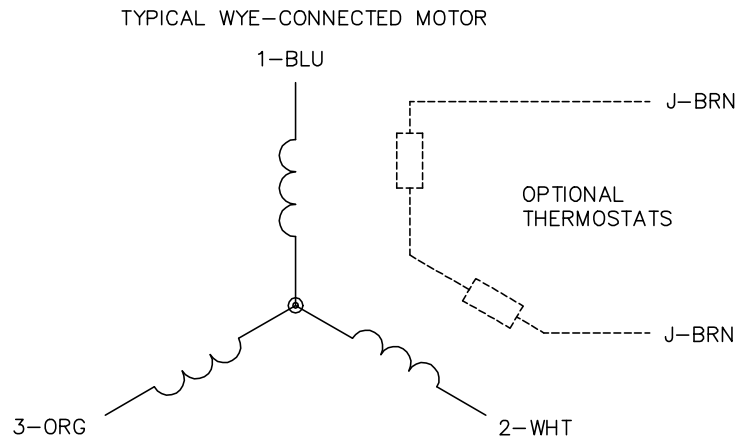
TORQUES (LB-FT): PO=9.55 PU=3.64 LR=7.41 LRA=14.5



1/22/2024 ACPERF, record # 31306



CD0006



NOTES:

1. THREE LEAD MOTOR MAY BE EITHER WYE CONNECTED OR DELTA CONNECTED.
2. INTERCHANGE ANY TWO LINE LEADS TO REVERSE ROTATION.
3. OPTIONAL THERMOSTATS ARE PROVIDED WHEN SPECIFIED.
4. ACTUAL NUMBER OF INTERNAL PARALLEL CIRCUITS MAY VARY.
5. LEAD COLORS ARE OPTIONAL. LEADS MUST BE NUMBERED AS SHOWN.

CD0006

REV. DESC: ADD CLASS CONN00000007		
REV. LTR: E	VERSION: 01	TDR: 000001099922
FILE: \AAA\00005\141	REVISED: 10:24:49 02/19/2019	BY: ENBRIRO
MTL: -	© □	

BALDOR - RELIANCE®

3PH, SV, 3 LEADS, WYE OR DELTA CONNECTED

SH 1 of 1