



Customer information packet

EM3546T-8

1HP, 1775RPM, 3PH, 60HZ, 143T, 3520M, TEFC, F1

Class - None

Division - Not Applicable

Specifications

Enclosure	TEFC
Frame	143T
Frame Material	Steel
Frequency	60.00 Hz
Motor Letter Type	Three Phase
Output @ Frequency	1.000 HP @ 60 HZ
Phase	3
Synchronous Speed @ Frequency	1800 RPM @ 60 HZ
Voltage @ Frequency	200.0 V @ 60 HZ
XP Class and Group	None
XP Division	Not Applicable
Agency Approvals	NEMA PREMIUM NEMA_PREMIUM UR CSA EEV
Ambient Temperature	40 °C
Auxillary Box	No Auxillary Box
Auxillary Box Lead Termination	None
Base Indicator	Rigid
Bearing Grease Type	Polyrex EM (-20F +300F)
Blower	None
Current @ Voltage	3.600 A @ 200.0 V
Design Code	B
Drip Cover	No Drip Cover
Duty Rating	CONT
Efficiency @ 100% Load	85.5 %
Electrically Isolated Bearing	Not Electrically Isolated
Feedback Device	NO FEEDBACK
Front Shaft Indicator	None
Heater Indicator	No Heater
High Voltage Full Load Amps	3.6 a
Insulation Class	F

Part detail

Revision	-
Type	AC
Mech. spec.	35AA001
Base	
Status	PRD/A
Elec. spec.	35WGG118
Layout	35LYAA001
Eff. date	01-09-2023
CD Diagram	CD0006
Poles	04
Leads	3#18
Proprietary	False
Created date	03-11-2022

Inverter Code	Inverter Ready
KVA Code	N
Lifting Lugs	No Lifting Lugs
Locked Bearing Indicator	No Locked Bearing
Motor Lead Quantity/Wire Size	3 @ 18 AWG
Motor Lead Termination	Flying Leads
Motor Standards	NEMA
Motor Type	3520M
Mounting Arrangement	F1
Number of Poles	4
Overall Length	12.31 IN
Power Factor	67
Product Family	General Purpose
Pulley End Bearing Type	Ball
Pulley Face Code	Standard
Pulley Shaft Indicator	Standard
Rodent Screen	None
Service Factor	1.15
Shaft Diameter	0.875 IN
Shaft Ground Indicator	No Shaft Grounding
Shaft Rotation	Reversible
Shaft Slinger Indicator	No Slinger
Speed	1775 rpm
Speed Code	Single Speed
Starting Method	Direct on line
Thermal Device - Bearing	None
Thermal Device - Winding	None
Vibration Sensor Indicator	No Vibration Sensor
Winding Thermal 1	None
Winding Thermal 2	None

Nameplate

NP3441L									
CAT.NO.	EM3546T-8								
SPEC.	35AA001G118G1								
HP	1								
VOLTS	200								
AMP	3.6								
RPM	1775								
FRAME	143T		HZ	60		PH	3		
SER.F.	1.15	CODE	N	DES	B	CL	F		
NEMA-NOM-EFF	85.5	PF	67						
RATING	40C AMB-CONT								
CC	010A		USABLE AT 208V				N/A		
DE	6205		ODE	6203					
ENCL	TEFC	SN							
VPWM INVERTER READY									
CT6-60H(10:1)VT3-60H(20:1									
	SFA 3.9								

Accessories

Part number	Description	Multiplier
35-8762	C FACE KIT	A8
35EP1506A01SP	D-FLANGE KIT	A8

AC Induction Motor Performance Data

Record # 82128

Typical performance - not guaranteed values

Winding: 35WGG118-R001		Type: 3520M		Enclosure: TEFC	
Nameplate Data			200 V, 60 Hz: Single Voltage Motor		
Rated Output (HP)	1	Full Load Torque	2.96 LB-FT		
Volts	200	Start Configuration	direct on line		
Full Load Amps	3.6	Breakdown Torque	12.86 LB-FT		
R.P.M.	1774	Pull-up Torque	7.55 LB-FT		
Hz	60	Locked-rotor Torque	8.76 LB-FT		
NEMA Design Code	B	Starting Current	31.78 A		
Service Factor (S.F.)	1.15	No-load Current	2.43 A		
NEMA Nom. Eff.	85.5	Line-line Res. @ 25°C	3.43 Ω		
Rating - Duty	40C	Temp. Rise @ Rated Load	21°C		
S.F. Amps	AMB-CONT	Temp. Rise @ S.F. Load	25°C		
		Locked-rotor Power Factor	62.2		
		Rotor inertia	0.144 lb-ft ²		

Load Characteristics 200 V, 60 Hz, 1 HP

% of Rated Load	25	50	75	100	125	150	S.F.
Power Factor	30	48	61	70	76	80	74
Efficiency	71.5	81.9	84.9	85.8	85.8	85.2	85.8
Speed	1792	1786	1780	1773	1765	1757	1768
Line amperes	2.51	2.76	3.12	3.58	4.11	4.71	3.9

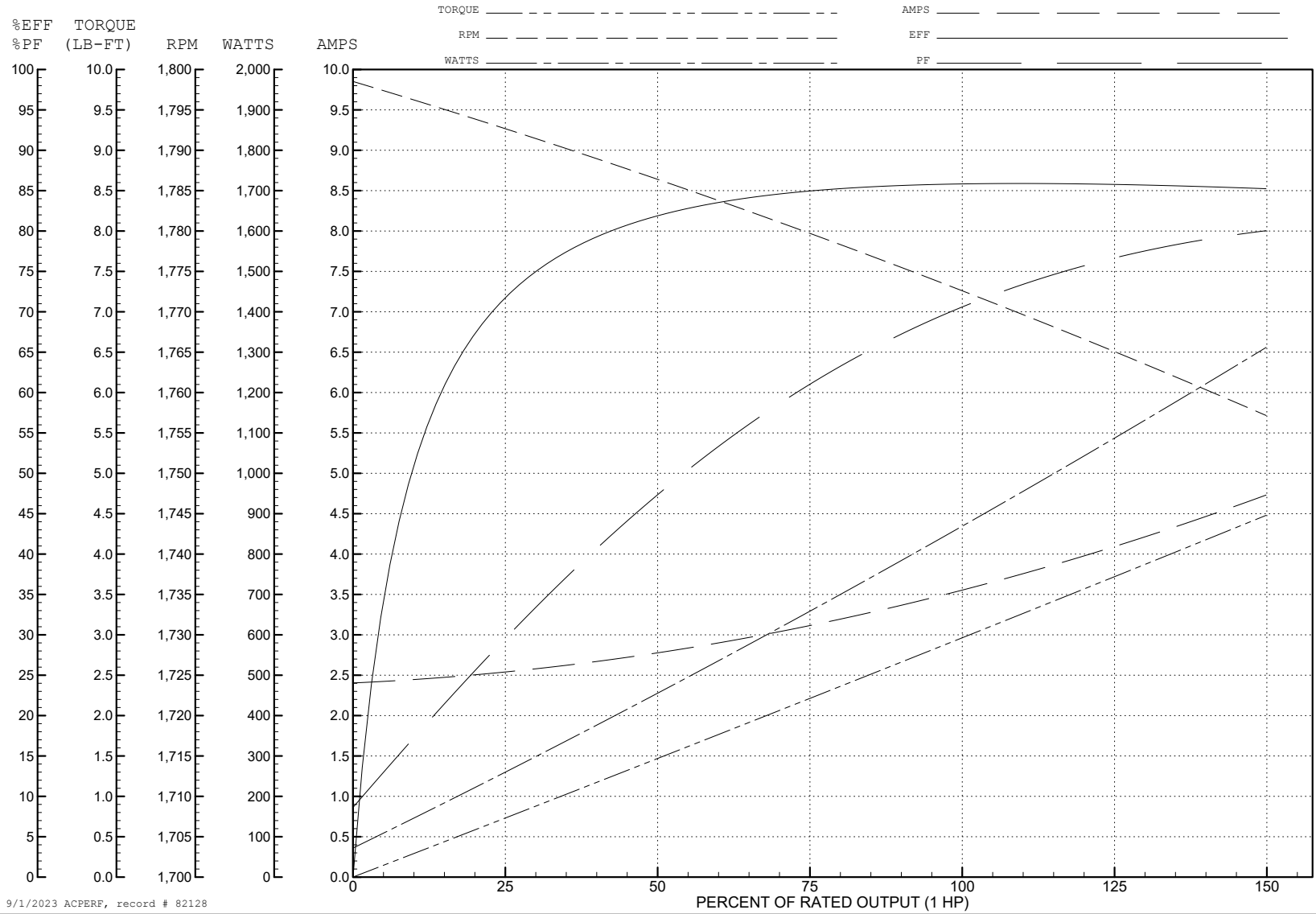
ABB Motors and Mechanical Inc.

WINDING # 35WGG118

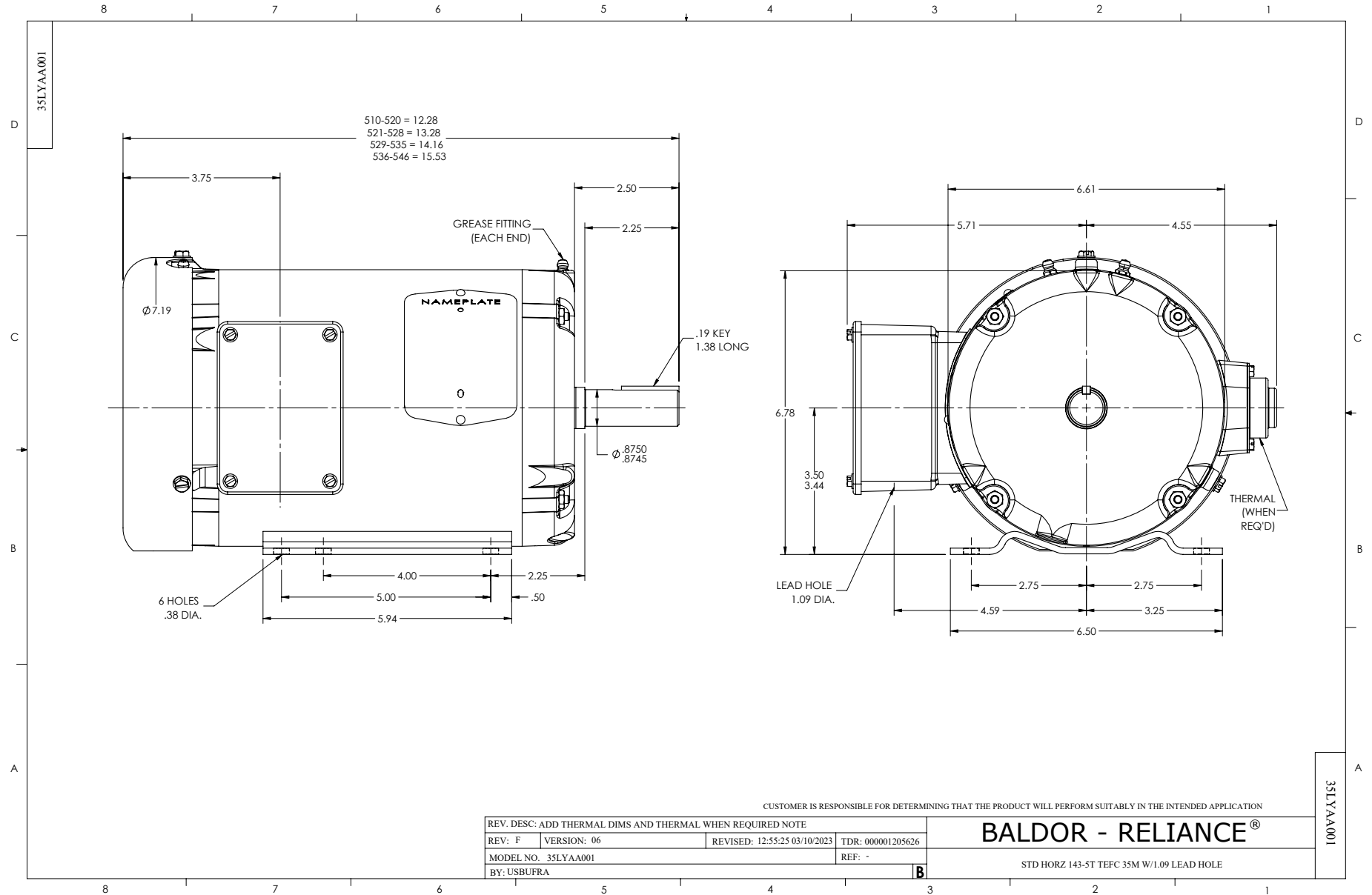
Typical performance - not guaranteed values.

1 HP 3 PH 60 HZ 1774 RPM 200 V 3520M

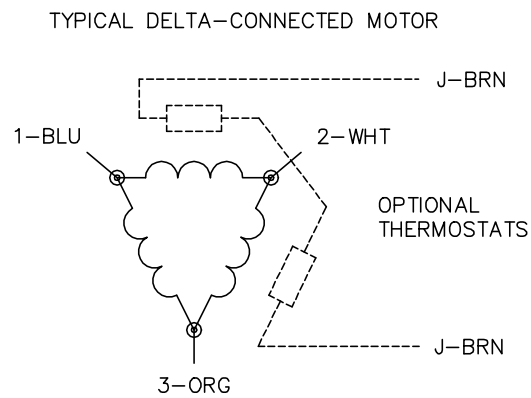
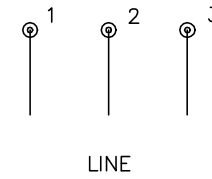
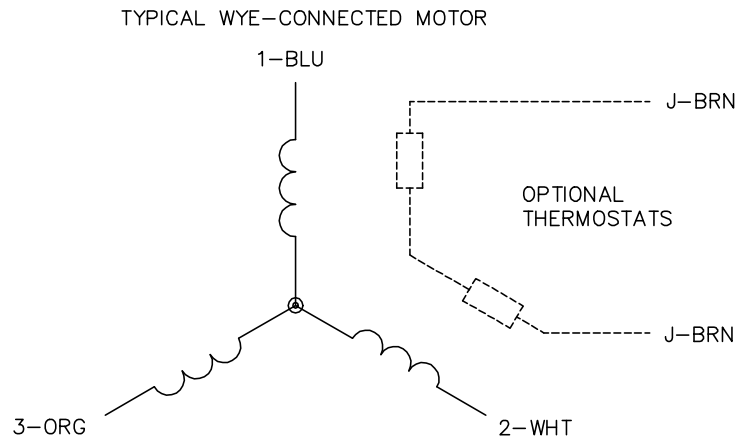
TORQUES (LB-FT): PO=12.86 PU=7.55 LR=8.76 LRA=31.78



9/1/2023 ACPERF, record # 82128



CD0006



NOTES:

1. THREE LEAD MOTOR MAY BE EITHER WYE CONNECTED OR DELTA CONNECTED.
2. INTERCHANGE ANY TWO LINE LEADS TO REVERSE ROTATION.
3. OPTIONAL THERMOSTATS ARE PROVIDED WHEN SPECIFIED.
4. ACTUAL NUMBER OF INTERNAL PARALLEL CIRCUITS MAY VARY.
5. LEAD COLORS ARE OPTIONAL. LEADS MUST BE NUMBERED AS SHOWN.

CD0006

REV. DESC: ADD CLASS CONN00000007		
REV. LTR: E	VERSION: 01	TDR: 000001099922
FILE: \AAA\00005\141	REVISED: 10:24:49 02/19/2019	BY: ENBRIRO
MTL: -	© □	

BALDOR - RELIANCE®

3PH, SV, 3 LEADS, WYE OR DELTA CONNECTED

SH 1 of 1