



Customer information packet

EM3546T-5

1HP, 1774RPM, 3PH, 60HZ, 143T, 3522M, TEFC, F1

Class - None

Division - Not Applicable

Specifications

| | |
|--------------------------------|---|
| Enclosure | TEFC |
| Frame | 143T |
| Frame Material | Steel |
| Frequency | 60.00 Hz |
| Motor Letter Type | Three Phase |
| Output @ Frequency | 1.000 HP @ 60 HZ |
| Phase | 3 |
| Synchronous Speed @ Frequency | 1800 RPM @ 60 HZ |
| Voltage @ Frequency | 575.0 V @ 60 HZ |
| XP Class and Group | None |
| XP Division | Not Applicable |
| Agency Approvals | CSA EEV UR NEMA_PREMIUM NEMA PREMIUM CURUSEEV |
| Ambient Temperature | 40 °C |
| Auxillary Box | No Auxillary Box |
| Auxillary Box Lead Termination | None |
| Base Indicator | Rigid |
| Bearing Grease Type | Polyrex EM (-20F +300F) |
| Blower | None |
| Current @ Voltage | 1.300 A @ 575.0 V |
| Design Code | B |
| Drip Cover | No Drip Cover |
| Duty Rating | CONT |
| Efficiency @ 100% Load | 85.5 % |
| Electrically Isolated Bearing | Not Electrically Isolated |
| Feedback Device | NO FEEDBACK |
| Front Shaft Indicator | None |
| Heater Indicator | No Heater |
| High Voltage Full Load Amps | 1.3 a |

Part detail

| | |
|--------------|------------|
| Revision | H |
| Type | AC |
| Mech. spec. | 35AA001 |
| Base | |
| Status | PRD/A |
| Elec. spec. | 35WGG119 |
| Layout | 35LYAA001 |
| Eff. date | 06-22-2023 |
| CD Diagram | CD0006 |
| Poles | 04 |
| Leads | 3#18 Y |
| Proprietary | False |
| Created date | 08-16-2019 |

| | |
|--------------------------------------|---------------------|
| Insulation Class | F |
| Inverter Code | Inverter Ready |
| KVA Code | M |
| Lifting Lugs | No Lifting Lugs |
| Locked Bearing Indicator | No Locked Bearing |
| Motor Lead Quantity/Wire Size | 3 @ 18 AWG |
| Motor Lead Termination | Flying Leads |
| Motor Standards | NEMA |
| Motor Type | 3522M |
| Mounting Arrangement | F1 |
| Number of Poles | 4 |
| Overall Length | 13.28 IN |
| Power Factor | 70 |
| Product Family | General Purpose |
| Pulley End Bearing Type | Ball |
| Pulley Face Code | Standard |
| Pulley Shaft Indicator | Standard |
| Rodent Screen | None |
| RoHS Status | ROHS COMPLIANT |
| Service Factor | 1.15 |
| Shaft Diameter | 0.875 IN |
| Shaft Ground Indicator | No Shaft Grounding |
| Shaft Rotation | Reversible |
| Shaft Slinger Indicator | No Slinger |
| Speed | 1775 rpm |
| Speed Code | Single Speed |
| Starting Method | Direct on line |
| Thermal Device - Bearing | None |
| Thermal Device - Winding | None |
| Vibration Sensor Indicator | No Vibration Sensor |
| Winding Thermal 1 | None |
| Winding Thermal 2 | None |

Nameplate

| NP3441L | | | | | | | | | |
|----------------------------------|---------------|-------------|-----------------------|------------|---|-----------|-----|--|--|
| CAT.NO. | EM3546T-5 | | | | | | | | |
| SPEC. | 35AA001G119G1 | | | | | | | | |
| HP | 1 | | | | | | | | |
| VOLTS | 575 | | | | | | | | |
| AMP | 1.3 | | | | | | | | |
| RPM | 1775 | | | | | | | | |
| FRAME | 143T | | HZ | 60 | | PH | 3 | | |
| SER.F. | 1.15 | CODE | M | DES | B | CL | F | | |
| NEMA-NOM-EFF | 85.5 | PF | 70 | | | | | | |
| RATING | 40C AMB-CONT | | | | | | | | |
| CC | 010A | | USABLE AT 208V | | | | N/A | | |
| DE | 6205 | | ODE | 6203 | | | | | |
| ENCL | TEFC | SN | | | | | | | |
| VPWM INVERTER READY | | | | | | | | | |
| CT6-60H(10:1)VT3-60H(20:1 | | | | | | | | | |
| | SFA 1.4 | | | | | | | | |

Accessories

| Part number | Description | Multiplier |
|--------------------|--------------------|-------------------|
| 35-8762 | C FACE KIT | A8 |
| 35EP1506A01SP | D-FLANGE KIT | A8 |

AC Induction Motor Performance Data

Record # 99012

Typical performance - not guaranteed values

| Winding: 35WGG119-R001 | | Type: 3522M | | Enclosure: TEFC | |
|-------------------------------|------|---------------------|---|----------------------------------|--------------------------|
| Nameplate Data | | | 575 V, 60 Hz: Single Voltage Motor | | |
| Rated Output (HP) | | 1 | Full Load Torque | | 2.99 LB-FT |
| Volts | | 575 | Start Configuration | | direct on line |
| Full Load Amps | | 1.2 | Breakdown Torque | | 13.4 LB-FT |
| R.P.M. | | 1770 | Pull-up Torque | | 6.8 LB-FT |
| Hz | 60 | Phase | 3 | Locked-rotor Torque | 8.3 LB-FT |
| NEMA Design Code | B | KVA Code | M | Starting Current | 10.9 A |
| Service Factor (S.F.) | | 1.15 | No-load Current | | 0.87 A |
| NEMA Nom. Eff. | 85.5 | Power Factor | 73 | Line-line Res. @ 25°C | 30.1 Ω |
| Rating - Duty | | 40C | AMB-CONT | Temp. Rise @ Rated Load | 36°C |
| S.F. Amps | | 1.3 | | Temp. Rise @ S.F. Load | 42°C |
| | | | | Locked-rotor Power Factor | 63.4 |
| | | | | Rotor inertia | 0.159 lb-ft ² |

Load Characteristics 575 V, 60 Hz, 1 HP

| % of Rated Load | 25 | 50 | 75 | 100 | 125 | 150 | S.F. |
|------------------------|-----------|-----------|-----------|------------|------------|------------|-------------|
| Power Factor | 31 | 48 | 61 | 70 | 76 | 80 | 74 |
| Efficiency | 72.1 | 81.6 | 84.9 | 85.8 | 85.7 | 85 | 85.7 |
| Speed | 1794 | 1787 | 1781 | 1774 | 1767 | 1758 | 1770 |
| Line amperes | 0.89 | 0.97 | 1.1 | 1.26 | 1.44 | 1.65 | 1.37 |

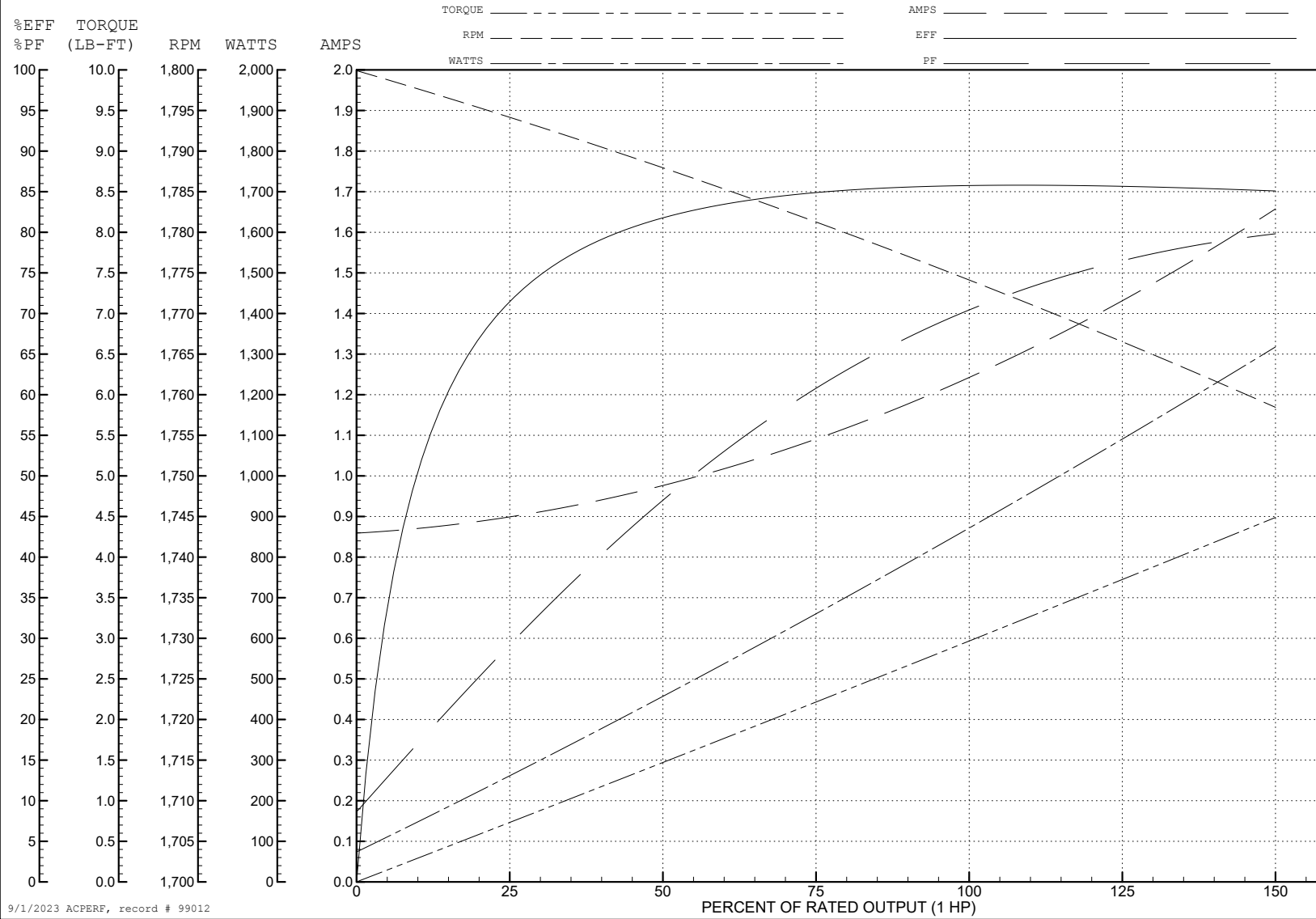
ABB Motors and Mechanical Inc.

WINDING # 35WGG119

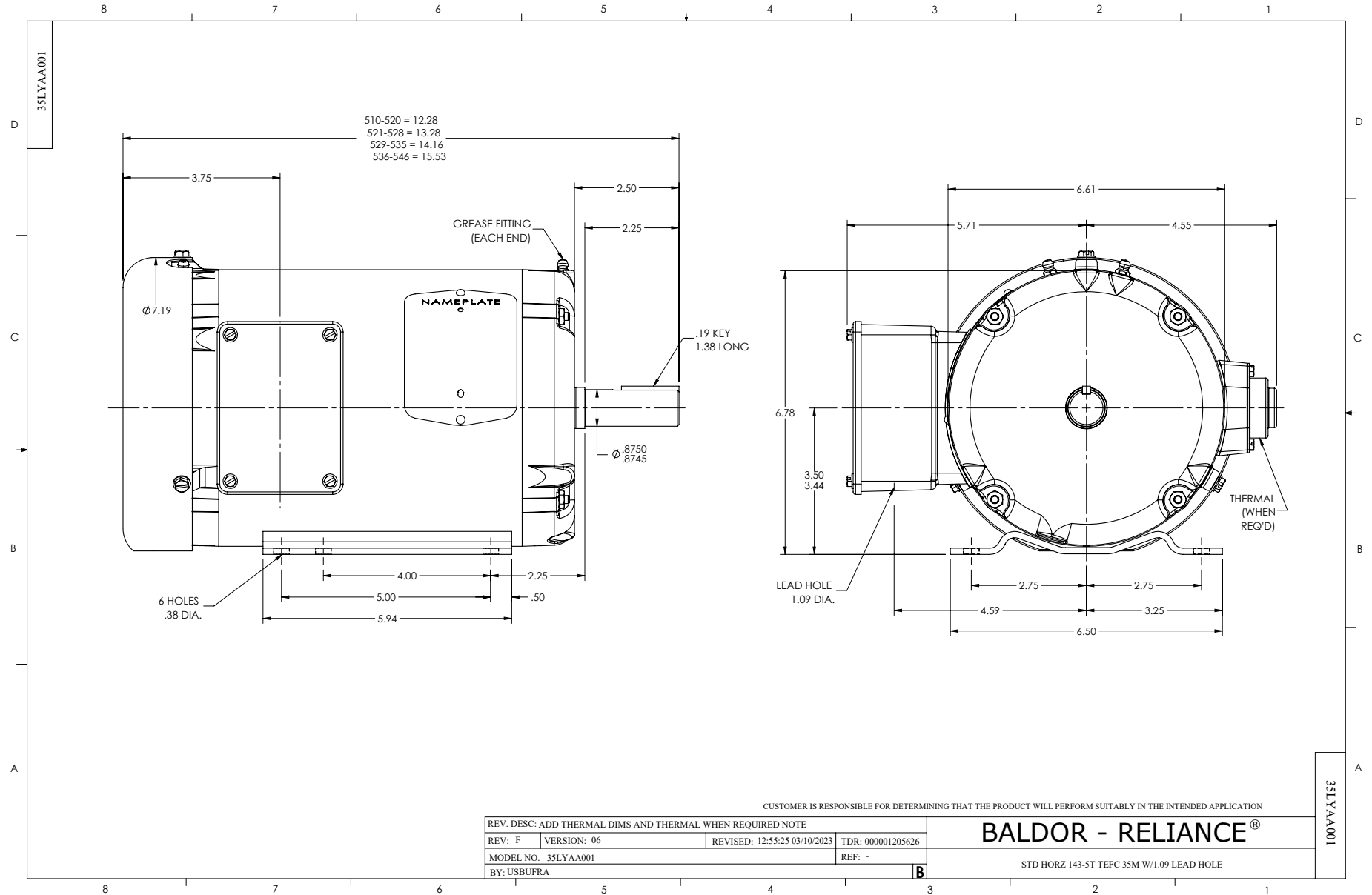
Typical performance - not guaranteed values.

1 HP 3 PH 60 HZ 1770 RPM 575 V 3522M

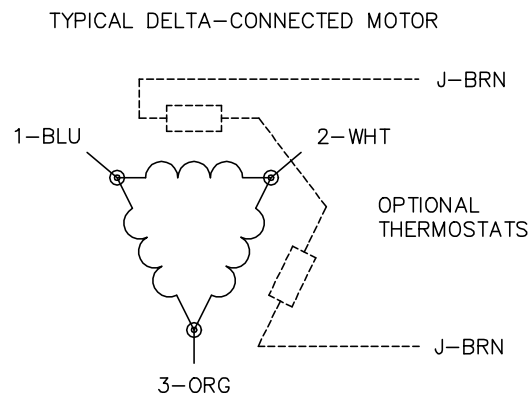
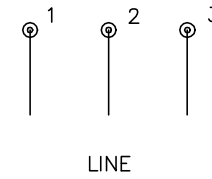
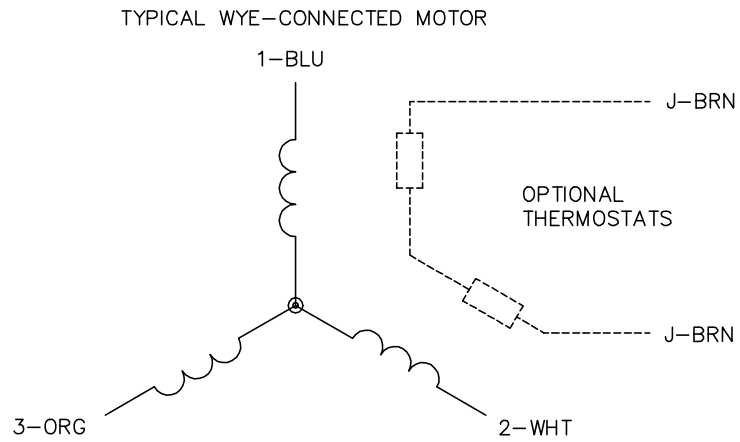
TORQUES (LB-FT): PO=13.4 PU=6.8 LR=8.3 LRA=10.9



9/1/2023 ACPERF, record # 99012



CD0006



NOTES:

1. THREE LEAD MOTOR MAY BE EITHER WYE CONNECTED OR DELTA CONNECTED.
2. INTERCHANGE ANY TWO LINE LEADS TO REVERSE ROTATION.
3. OPTIONAL THERMOSTATS ARE PROVIDED WHEN SPECIFIED.
4. ACTUAL NUMBER OF INTERNAL PARALLEL CIRCUITS MAY VARY.
5. LEAD COLORS ARE OPTIONAL. LEADS MUST BE NUMBERED AS SHOWN.

CD0006

| | | |
|-----------------------------------|------------------------------|-------------------|
| REV. DESC: ADD CLASS CONN00000007 | | |
| REV. LTR: E | VERSION: 01 | TDR: 000001099922 |
| FILE: \AAA\00005\141 | REVISED: 10:24:49 02/19/2019 | BY: ENBRIRO |
| MTL: - | © □ | |

BALDOR - RELIANCE®

3PH, SV, 3 LEADS, WYE OR DELTA CONNECTED

SH 1 of 1