



Customer information packet

EM2539T-CI

40HP, 1770RPM, 3PH, 60HZ, 324T, 1250M, OPEN, F1

Class - None

Division - Not Applicable

Specifications

Enclosure	OPEN
Frame	324T
Frame Material	Iron
Frequency	60.00 Hz
Motor Letter Type	Three Phase
Output @ Frequency	40.000 HP @ 60 HZ
Phase	3
Synchronous Speed @ Frequency	1800 RPM @ 60 HZ
Voltage @ Frequency	230.0 V @ 60 HZ 460.0 V @ 60 HZ
XP Class and Group	None
XP Division	Not Applicable
Agency Approvals	UR CSA CSA EEV
Ambient Temperature	40 °C
Auxillary Box	No Auxillary Box
Auxillary Box Lead Termination	None
Base Indicator	Rigid
Bearing Grease Type	Polyrex EM (-20F +300F)
Blower	None
Current @ Voltage	96.000 A @ 230.0 V 48.000 A @ 460.0 V
Design Code	A
Drip Cover	No Drip Cover
Duty Rating	CONT
Efficiency @ 100% Load	94.1 %
Electrically Isolated Bearing	Not Electrically Isolated
Feedback Device	NO FEEDBACK
Front Face Code	Standard
Front Shaft Indicator	None
Heater Indicator	No Heater

Part detail

Revision	S
Type	AC
Mech. spec.	12B01
Base	
Status	PRD/A
Elec. spec.	12WGY580
Layout	12LYB001
Eff. date	09-24-2019
CD Diagram	CD0180
Poles	04
Leads	9#8
Proprietary	False
Created date	05-14-2012

High Voltage Full Load Amps	48.0 a
Insulation Class	F
Inverter Code	Inverter Ready
KVA Code	H
Lifting Lugs	Standard Lifting Lugs
Locked Bearing Indicator	Locked Bearing
Motor Lead Exit	Ko Box
Motor Lead Quantity/Wire Size	9 @ 8 AWG
Motor Lead Termination	Flying Leads
Motor Standards	NEMA
Motor Type	1250M
Mounting Arrangement	F1
Number of Poles	4
Overall Length	26.13 IN
Power Factor	82
Product Family	General Purpose
Pulley End Bearing Type	Ball
Pulley Face Code	Standard
Pulley Shaft Indicator	Standard
Rodent Screen	None
Service Factor	1.15
Shaft Diameter	2.125 IN
Shaft Extension Location	Pulley End
Shaft Ground Indicator	No Shaft Grounding
Shaft Rotation	Reversible
Shaft Slinger Indicator	No Slinger
Speed	1775 rpm
Speed Code	Single Speed
Starting Method	Direct on line
Thermal Device - Bearing	NONE (OLD)
Thermal Device - Winding	None
Vibration Sensor Indicator	No Vibration Sensor
Winding Thermal 1	None
Winding Thermal 2	None

Nameplate

NP3554LUA

CAT.NO.	EM2539T-CI	P/N		ENCL	OPEN
SPEC.	12B001Y580G1	CC	010A	FRAME	324T
HP	40	CLASS	F	HZ	60
RPM	1775	PH	3	DES	A
VOLTS	230/460	CODE	H	ODE BRG	6311
AMPS	96/48	USABLE AT 208V			
RATING	40C AMB-CONT	NEMA-NOM-EFF	94.1	GREASE	POLYREX EM
PF	82	SER.F.	1.15	CT30-60(2:1) VT3-60(20:1)	
USABLE AT	50HZ 40HP 190/380V 114/57A		SF 1.0		
HTR-VOLTS	HTR-AMPS	MAX. SPACE HEATER TEMP.			

Parts list

Part number	Description	Quantity
SA244594	SA 12B001Y580G1	1.000 ea
RA231477	RA 12B001Y580G1	1.000 ea
10CB3000SP	KOBX, CAST W/2.00 LEAD HOLE	1.000 ea
10XN3118K12	5/16-18 X .75 GRADE 5, ZINC PLATED	4.000 ea
HW1001A31	LOCKWASHER 5/16, ZINC PLT .591 OD, .319 I	4.000 ea
WD1000B25	GND LUG, BURNDY L125HP OR T&B L125HP-BB	1.000 ea
19XW3118G08	.31-18X.50,HEX WSHR HD,TAPTITE 2,GREEN	1.000 ea
12EP1200A04	FR ENDPLATE, MACH	1.000 ea
HA4051A00	PLASTIC CAP FOR GREASE FITTING	1.000 ea
51XF2520A08	SCREW, HEX SER SLT HD, ZN 1/4-20 X .50 L	3.000 ea
51XF2520A08	SCREW, HEX SER SLT HD, ZN 1/4-20 X .50 L	3.000 ea
10XN5013K80	HEX HD , 1/2-13 X 5.00 LGGRADE 5,ZINC PL	4.000 ea
HW1001A50	LOCKWASHER 1/2, ZINC PLT,.879 OD, .509 I	4.000 ea
HW5100A13	W4627-047 WVY WSHR	1.000 ea
10XN3816K44	3/8-16 X 2.75 HEX HD CAP SCREW, GRADE 5	4.000 ea
HW1001A38	LOCKWASHER 3/8, ZINC PLT .688 OD, .382 I	4.000 ea
10XN3816K44	3/8-16 X 2.75 HEX HD CAP SCREW, GRADE 5	4.000 ea
HW1001A38	LOCKWASHER 3/8, ZINC PLT .688 OD, .382 I	4.000 ea
12EP1200A03	ENDPLATE, MACH	1.000 ea
HA4051A00	PLASTIC CAP FOR GREASE FITTING	1.000 ea
10XN5013K80	HEX HD , 1/2-13 X 5.00 LGGRADE 5,ZINC PL	4.000 ea
HW1001A50	LOCKWASHER 1/2, ZINC PLT,.879 OD, .509 I	4.000 ea
10CB3500SP	CONDUIT BOX LID, CAST	1.000 ea
51XW2520A12	.25-20 X .75, TAPTITE II, HEX WSHR SLTD	4.000 ea
HW2501H33	KEY, 1/2 SQ X 3.875	1.000 ea
LB1115N	LABEL,LIFTING DEVICE (ON ROLLS)	1.000 ea
HW4500A03	GREASE FITTING, .125 NPT 1610(ALEMITE) 8	1.000 ea
HW4500A20	1/8NPT SL PIPE PLUG	1.000 ea
MJ1000A02	GREASE, POLYREX EM EXXON	0.200 lb
HW4500A03	GREASE FITTING, .125 NPT 1610(ALEMITE) 8	1.000 ea
HW4500A20	1/8NPT SL PIPE PLUG	1.000 ea

MG1000Y03	MUNSELL 2.53Y 6.70/ 4.60, GLOSS 20,	0.125 ga
85XU0407S04	4X1/4 U DRIVE PIN STAINLESS	4.000 ea
MN416A01	TAG-INSTAL-MAINT no wire (2200bx) 4/22	1.000 ea
12AD2000A01	AIR DEFLECTOR	1.000 ea
12AD2000A01	AIR DEFLECTOR	1.000 ea
LB1119N	WARNING LABEL	1.000 ea
LC0181	CONNECTION LABEL	1.000 ea
NP3554LUA	SS SUPER-E VPWM INV READY UL CSA-EEV PRE	1.000 ea
12PA1000	PACKAGING GROUP PRINT PK1024A07	1.000 ea

AC Induction Motor Performance Data

Record # 66028

Typical performance - not guaranteed values

Winding: 12WGY580-R001		Type: 1250M	Enclosure: OPEN
Nameplate Data		460 V, 60 Hz: High Voltage Connection	
Rated Output (HP)	40	Full Load Torque	118.8 LB-FT
Volts	230/460	Start Configuration	direct on line
Full Load Amps	96/48	Breakdown Torque	378 LB-FT
R.P.M.	1775	Pull-up Torque	178 LB-FT
Hz	60 Phase	Locked-rotor Torque	219 LB-FT
NEMA Design Code	A KVA Code	Starting Current	324 A
Service Factor (S.F.)	1.15	No-load Current	20 A
NEMA Nom. Eff.	94.1 Power Factor	Line-line Res. @ 25°C	0.16075 Ω
Rating - Duty	40C AMB-CONT	Temp. Rise @ Rated Load	32°C
S.F. Amps		Temp. Rise @ S.F. Load	39°C
		Locked-rotor Power Factor	27.3

Load Characteristics 460 V, 60 Hz, 40 HP

% of Rated Load	25	50	75	100	125	150	S.F.
Power Factor	45	67	77	82	84	84	83
Efficiency	91.7	94.5	95	94.8	94.3	93.6	94.5
Speed	1795.1	1790.4	1785.1	1780	1773.8	1767.5	1776
Line amperes	23.2	29.8	38.5	48.4	59.2	71	54.9

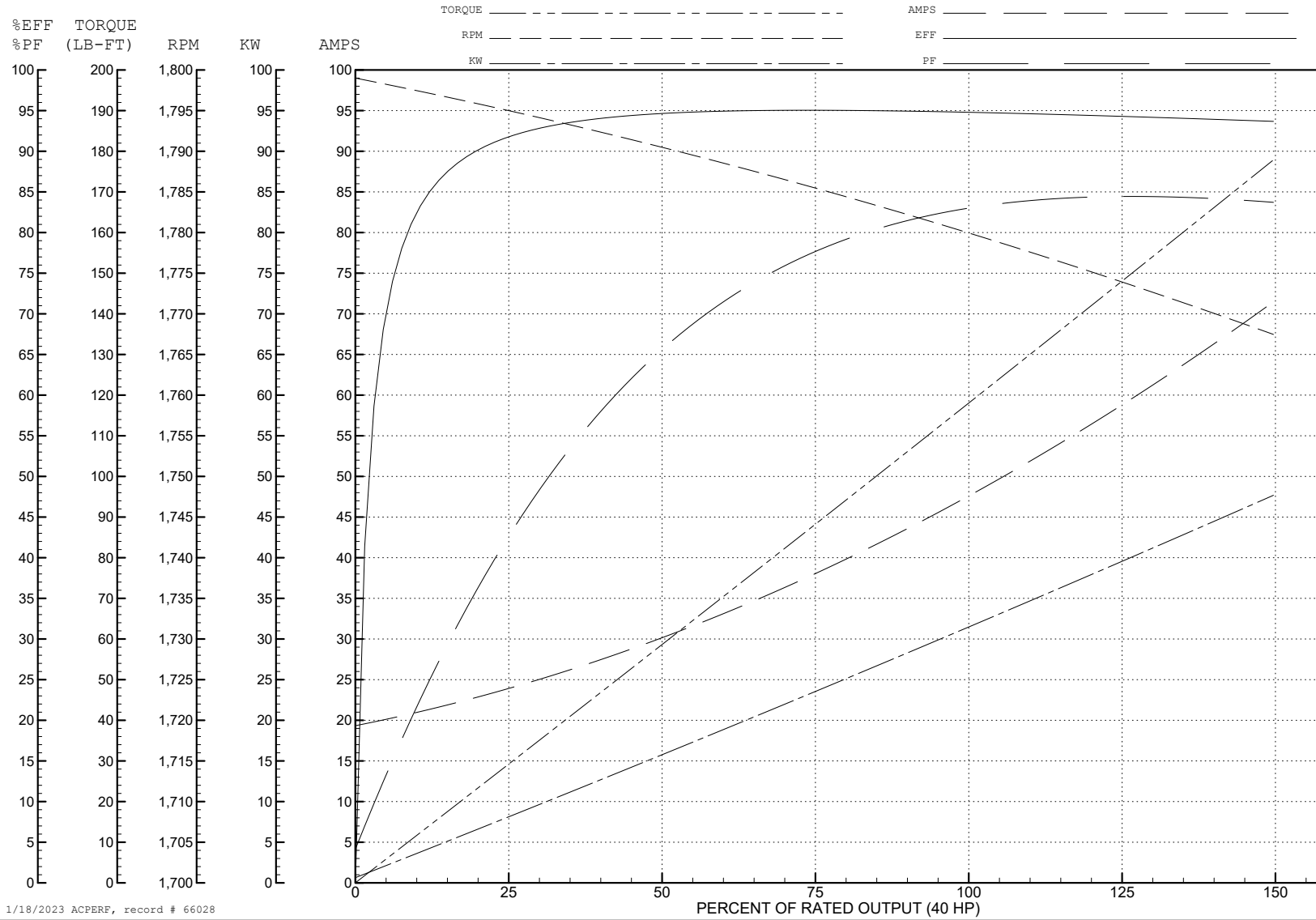
ABB Motors and Mechanical Inc.

WINDING # 12WGY580

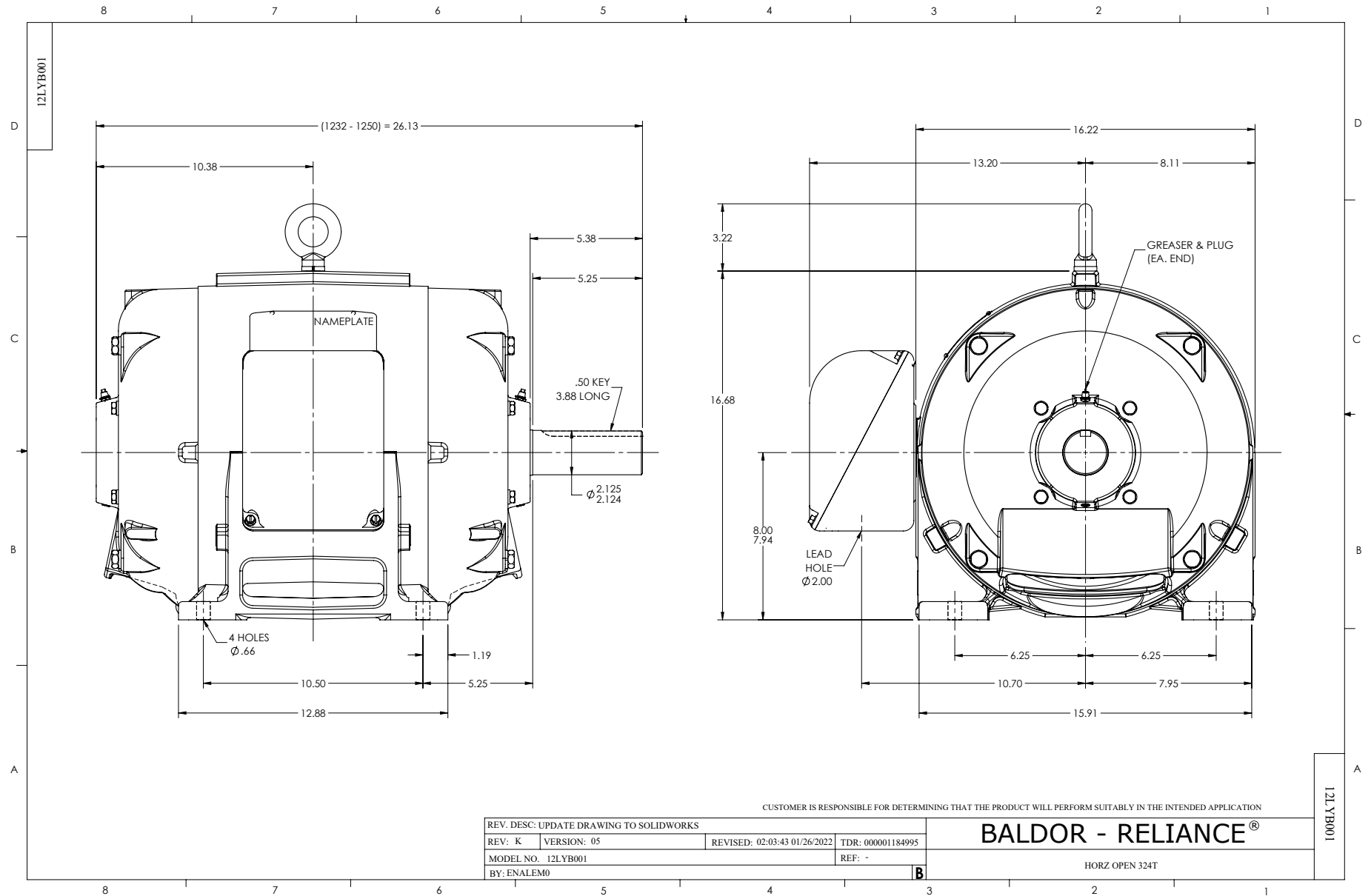
Typical performance - not guaranteed values.

40 HP 3 PH 60 HZ 1775 RPM 460 V 1250M

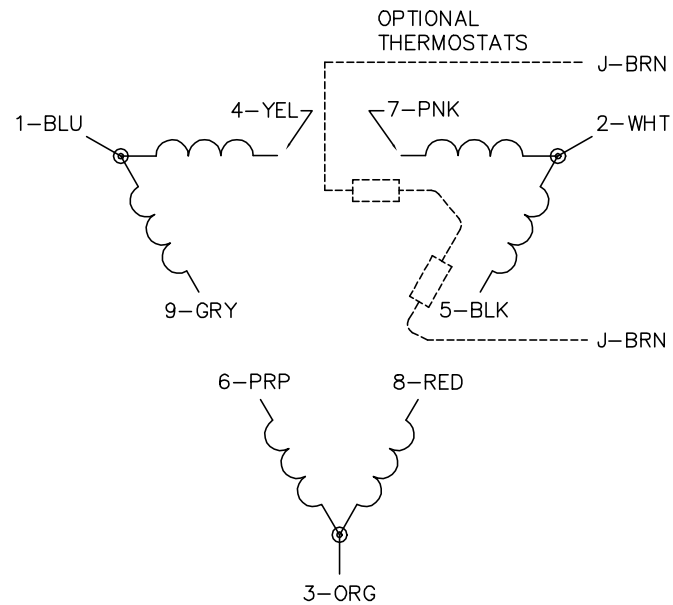
TORQUES (LB-FT): PO=378 PU=178 LR=219 LRA=324



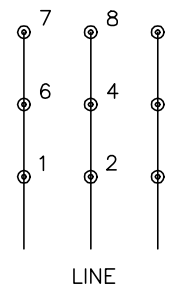
1/18/2023 ACPERF, record # 66028



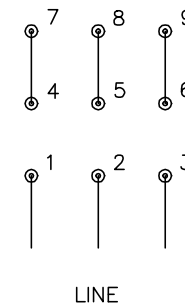
CD0180



LOW VOLTAGE
(2D)



HIGH VOLTAGE
(1D)



NOTES:

1. INTERCHANGE ANY TWO LINE LEADS TO REVERSE ROTATION.
2. OPTIONAL THERMOSTATS ARE PROVIDED WHEN SPECIFIED.
3. ACTUAL NUMBER OF INTERNAL PARALLEL CIRCUITS MAY BE A MULTIPLE OF THOSE SHOWN ABOVE.
4. LEAD COLORS ARE OPTIONAL. LEADS MUST ALWAYS BE NUMBERED AS SHOWN.

CD0180

REV. DESC: ADD CLASS CONN00000007		
REV. LTR: D	VERSION: 01	TDR: 000001099922
FILE: \AAA\00005\148	REVISED: 10:25:29 02/19/2019	BY: ENBRIRO
MTL: -	© □	

BALDOR - RELIANCE®

3PH, DV, 9 LEADS, DELTA CONNECTION

SH 1 of 1