



Customer information packet

EM2402T

10HP, 880RPM, 3PH, 60HZ, 284T, 1046M, TEFC, F1

Class - None

Division - Not Applicable

Specifications

Enclosure	TEFC
Frame	284T
Frame Material	Iron
Frequency	60.00 Hz
Motor Letter Type	Three Phase
Output @ Frequency	10.000 HP @ 60 HZ
Phase	3
Synchronous Speed @ Frequency	900 RPM @ 60 HZ
Voltage @ Frequency	460.0 V @ 60 HZ 230.0 V @ 60 HZ
XP Class and Group	None
XP Division	Not Applicable
Agency Approvals	NEMA PREMIUM NEMA_PREMIUM UR CSA EEV
Ambient Temperature	40 °C
Auxillary Box	No Auxillary Box
Auxillary Box Lead Termination	None
Base Indicator	Rigid
Bearing Grease Type	Polyrex EM (-20F +300F)
Blower	None
Current @ Voltage	29.200 A @ 230.0 V 30.000 A @ 208.0 V 14.600 A @ 460.0 V
Design Code	B
Drip Cover	No Drip Cover
Duty Rating	CONT
Efficiency @ 100% Load	89.5 %
Electrically Isolated Bearing	Not Electrically Isolated
Feedback Device	NO FEEDBACK
Front Face Code	Standard

Part detail

Revision	P
Type	AC
Mech. spec.	10C151
Base	
Status	PRD/A
Elec. spec.	10WGZ392
Layout	10LYC151
Eff. date	07-19-2023
CD Diagram	CD0180
Poles	08
Leads	9#10
Proprietary	False
Created date	04-06-2015

Front Shaft Indicator	None
Heater Indicator	No Heater
High Voltage Full Load Amps	14.6 a
Insulation Class	F
Inverter Code	Inverter Ready
KVA Code	H
Lifting Lugs	Standard Lifting Lugs
Locked Bearing Indicator	Locked Bearing
Motor Lead Exit	Ko Box
Motor Lead Quantity/Wire Size	9 @ 10 AWG
Motor Lead Termination	Flying Leads
Motor Standards	NEMA
Motor Type	1046M
Mounting Arrangement	F1
Number of Poles	8
Overall Length	27.76 IN
Power Factor	71
Product Family	General Purpose
Pulley End Bearing Type	Ball
Pulley Face Code	Standard
Pulley Shaft Indicator	Standard
Rodent Screen	None
Service Factor	1.15
Shaft Diameter	1.875 IN
Shaft Extension Location	Pulley End
Shaft Ground Indicator	No Shaft Grounding
Shaft Rotation	Reversible
Shaft Slinger Indicator	Shaft Slinger
Speed	880 rpm
Speed Code	Single Speed
Starting Method	Direct on line
Thermal Device - Bearing	None
Thermal Device - Winding	None
Vibration Sensor Indicator	No Vibration Sensor

Winding Thermal 1

None

Winding Thermal 2

None

Nameplate

NP2138L

CAT.NO.	EM2402T	P/N		ENCLOSURE	TEFC
SPEC.	10C151Z392G1	CC	010A	FRAME	284T
HP	10	CLASS	F	HZ	60
RPM	880	PH	3	DES	B
VOLT	230/460	KVA-CODE	H	ODE BRG	6309
AMP	29.2/14.6	USABLE AT 208V	N/A	DE BRG	6311
RATING	40C AMB-CONT	GREASE	POLYREX EM		
NEMA-NOM-EFF	89.5	PF	71	SER.F.	1.15
HTR-VOLTS		HTR-AMPS			

AC Induction Motor Performance Data

Record # 49978

Typical performance - not guaranteed values

Winding: 10WGZ392-R001		Type: 1046M	Enclosure: TEFC
Nameplate Data		460 V, 60 Hz: High Voltage Connection	
Rated Output (HP)	10	Full Load Torque	59.3 LB-FT
Volts	230/460	Start Configuration	direct on line
Full Load Amps	29.2/14.6	Breakdown Torque	169 LB-FT
R.P.M.	880	Pull-up Torque	76.4 LB-FT
Hz	60 Phase	Locked-rotor Torque	137 LB-FT
NEMA Design Code	B KVA Code	Starting Current	80 A
Service Factor (S.F.)	1.15	No-load Current	8.76 A
NEMA Nom. Eff.	89.5 Power Factor	Line-line Res. @ 25°C	0.956 Ω
Rating - Duty	40C AMB-CONT	Temp. Rise @ Rated Load	65°C
S.F. Amps		Temp. Rise @ S.F. Load	77°C
		Locked-rotor Power Factor	30.5
		Rotor inertia	5.67 LB-FT ²

Load Characteristics 460 V, 60 Hz, 10 HP

% of Rated Load	25	50	75	100	125	150	S.F.
Power Factor	32	51	64	71	75	77	73
Efficiency	81	87.8	89.5	89.8	89.6	88.7	89.7
Speed	896	893	890	886	881	876	883
Line amperes	9.23	10.6	12.3	14.6	17.4	20.4	16.3

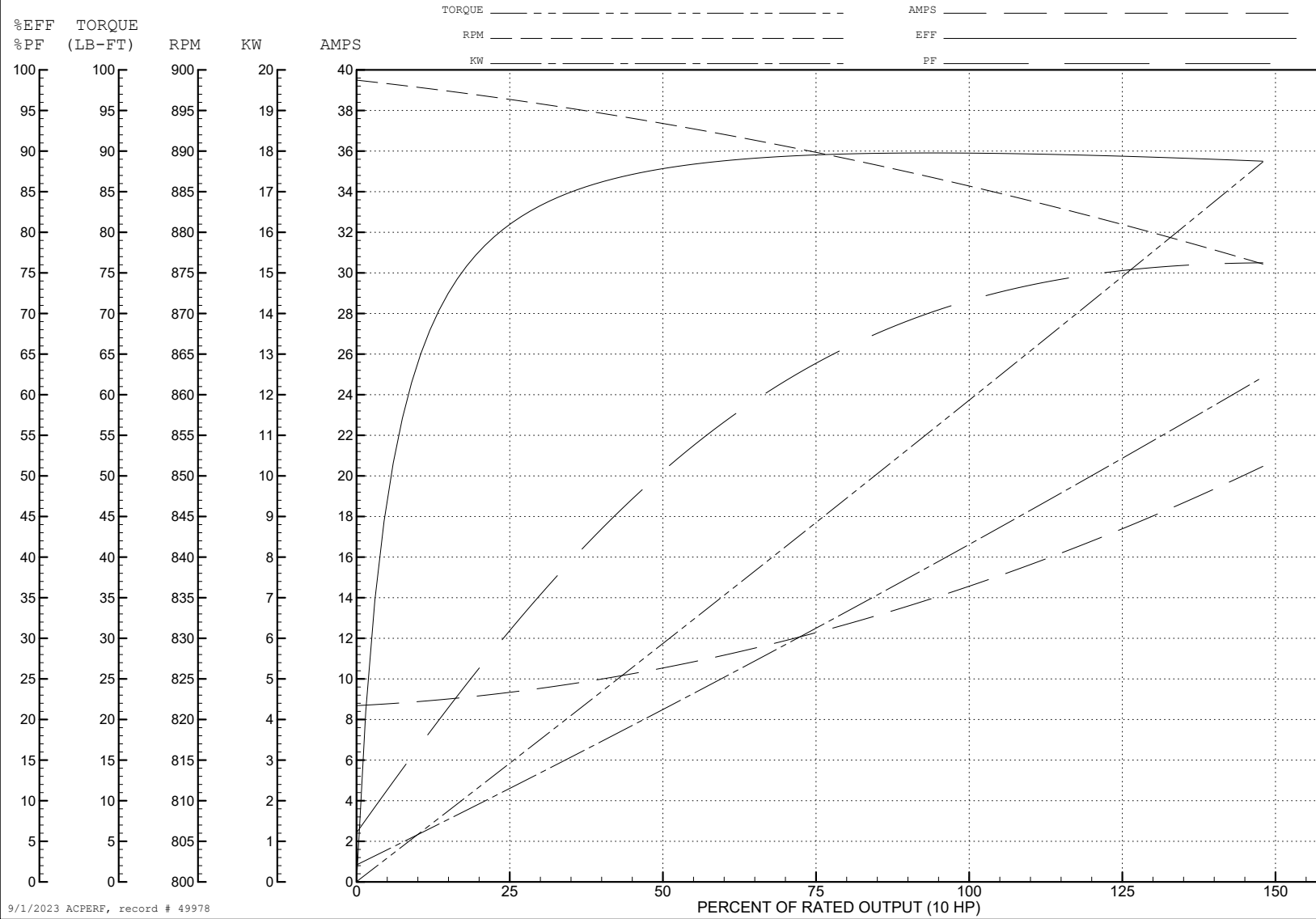
ABB Motors and Mechanical Inc.

WINDING # 10WGZ392

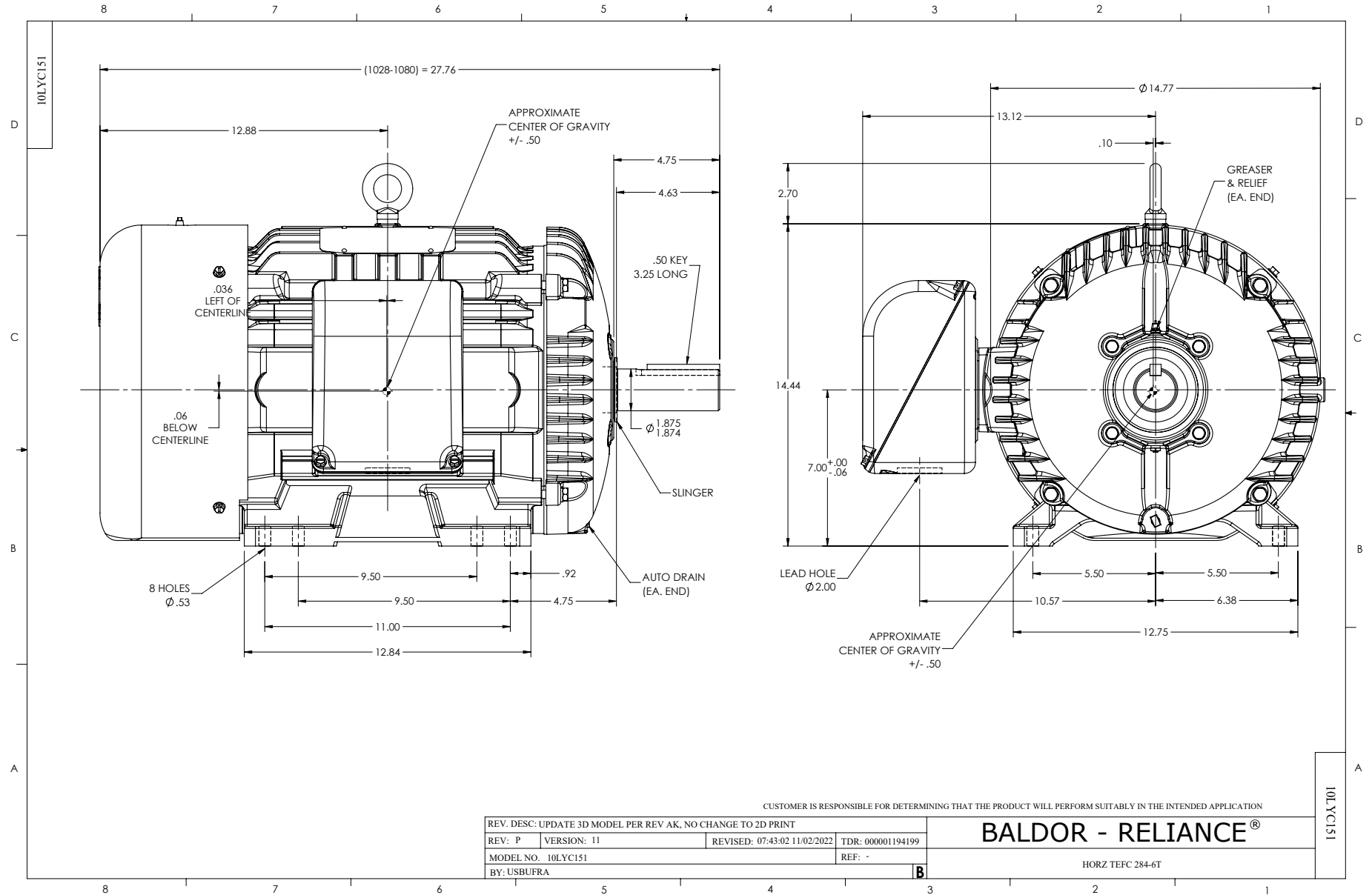
Typical performance - not guaranteed values.

10 HP 3 PH 60 HZ 880 RPM 460 V 1046M

TORQUES (LB-FT): PO=169 PU=76.4 LR=137 LRA=80



9/1/2023 ACPERF, record # 49978



CD0180



LOW VOLTAGE
(2D)



HIGH VOLTAGE
(1D)



NOTES:

1. INTERCHANGE ANY TWO LINE LEADS TO REVERSE ROTATION.
2. OPTIONAL THERMOSTATS ARE PROVIDED WHEN SPECIFIED.
3. ACTUAL NUMBER OF INTERNAL PARALLEL CIRCUITS MAY BE A MULTIPLE OF THOSE SHOWN ABOVE.
4. LEAD COLORS ARE OPTIONAL. LEADS MUST ALWAYS BE NUMBERED AS SHOWN.

CD0180

REV. DESC: ADD CLASS CONN00000007		
REV. LTR: D	VERSION: 01	TDR: 000001099922
FILE: \AAA\00005\148	REVISED: 10: 25: 29 02/19/2019	BY: ENBRIRO
MTL: -	© □	

BALDOR - RELIANCE®

3PH, DV, 9 LEADS, DELTA CONNECTION

SH 1 of 1