



Customer information packet

EM2401T

7.5HP, 880RPM, 3PH, 60HZ, 256T, 0960M, TEFC, F1

Class - None

Division - Not Applicable

Specifications

Enclosure	TEFC
Frame	256T
Frame Material	Iron
Frequency	60.00 Hz
Motor Letter Type	Three Phase
Output @ Frequency	7.500 HP @ 60 HZ
Phase	3
Synchronous Speed @ Frequency	900 RPM @ 60 HZ
Voltage @ Frequency	230.0 V @ 60 HZ 460.0 V @ 60 HZ
XP Class and Group	None
XP Division	Not Applicable
Agency Approvals	CURUSEEV NEMA PREMIUM
Ambient Temperature	40 °C
Auxillary Box	No Auxillary Box
Auxillary Box Lead Termination	None
Base Indicator	Rigid
Bearing Grease Type	Polyrex EM (-20F +300F)
Blower	None
Current @ Voltage	25.400 A @ 208.0 V 24.200 A @ 230.0 V 12.100 A @ 460.0 V
Design Code	A
Drip Cover	No Drip Cover
Duty Rating	CONT
Efficiency @ 100% Load	86.5 %
Electrically Isolated Bearing	Not Electrically Isolated
Feedback Device	NO FEEDBACK
Front Face Code	Standard
Front Shaft Indicator	None
Heater Indicator	No Heater

Part detail

Revision	T
Type	AC
Mech. spec.	09C101
Base	
Status	PRD/A
Elec. spec.	09WGT403
Layout	09LYC101
Eff. date	06-28-2023
CD Diagram	CD0005
Poles	08
Leads	9#12
Proprietary	False
Created date	12-06-2016

High Voltage Full Load Amps	12.1 a
Insulation Class	F
Inverter Code	Inverter Ready
KVA Code	J
Lifting Lugs	Standard Lifting Lugs
Locked Bearing Indicator	Locked Bearing
Motor Lead Exit	Ko Box
Motor Lead Quantity/Wire Size	9 @ 12 AWG
Motor Lead Termination	Flying Leads
Motor Standards	NEMA
Motor Type	0960M
Mounting Arrangement	F1
Number of Poles	8
Overall Length	23.36 IN
Power Factor	67
Product Family	General Purpose
Pulley End Bearing Type	Ball
Pulley Face Code	Standard
Pulley Shaft Indicator	Standard
Rodent Screen	None
Service Factor	1.15
Shaft Diameter	1.625 IN
Shaft Extension Location	Pulley End
Shaft Ground Indicator	No Shaft Grounding
Shaft Rotation	Reversible
Shaft Slinger Indicator	Shaft Slinger
Speed	880 rpm
Speed Code	Single Speed
Starting Method	Direct on line
Thermal Device - Bearing	None
Thermal Device - Winding	None
Vibration Sensor Indicator	No Vibration Sensor
Winding Thermal 1	None
Winding Thermal 2	None

Nameplate

NP1259L									
CAT.NO.	EM2401T								
SPEC.	09C101T403G1								
HP	7.5								
VOLTS	230/460								
AMP	24.2/12.1								
RPM	880								
FRAME	256T		HZ	60		PH	3		
SER.F.	1.15	CODE	J	DES	A	CL	F		
NEMA-NOM-EFF	86.5	PF	67						
RATING	40C AMB-CONT								
CC	010A								
DE	6309	ODE	6208						
ENCL	TEFC	SN							

AC Induction Motor Performance Data

Record # 62347

Typical performance - not guaranteed values

Winding: 09WGT403-R001		Type: 0960M		Enclosure: TEFC			
Nameplate Data			460 V, 60 Hz: High Voltage Connection				
Rated Output (HP)	7.5	Full Load Torque	44.3 LB-FT				
Volts	230/460	Start Configuration	direct on line				
Full Load Amps	24.2/12.1	Breakdown Torque	105 LB-FT				
R.P.M.	880	Pull-up Torque	58 LB-FT				
Hz	60 Phase	3	Locked-rotor Torque	95.1 LB-FT			
NEMA Design Code	A	KVA Code	J	Starting Current	68.6 A		
Service Factor (S.F.)	1.15		No-load Current	6.76 A			
NEMA Nom. Eff.	86.5	Power Factor	67	Line-line Res. @ 25°C	1.246 Ω		
Rating - Duty	40C AMB-CONT		Temp. Rise @ Rated Load	68°C			
S.F. Amps			Temp. Rise @ S.F. Load	86°C			
			Locked-rotor Power Factor	27.9			

Load Characteristics 460 V, 60 Hz, 7.5 HP

% of Rated Load	25	50	75	100	125	150	S.F.
Power Factor	30	49	60	67	70	72	69
Efficiency	80.8	86.8	87.4	86.6	85	82.9	85.6
Speed	896.4	892	887.4	882.3	875.8	868.3	878
Line amperes	7.16	8.42	10.1	12.1	14.7	17.6	13.7

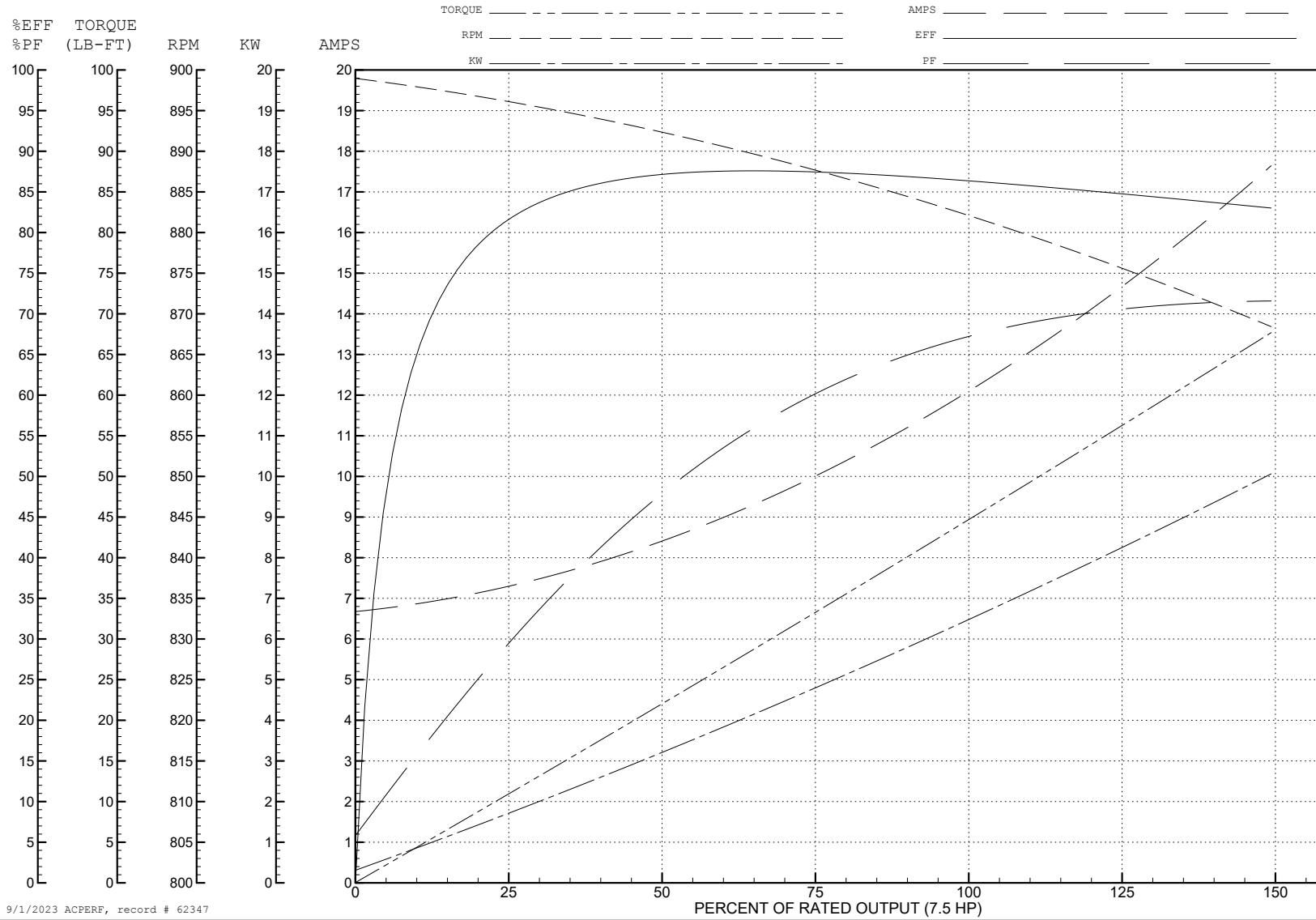
ABB Motors and Mechanical Inc.

WINDING # 09WGT403

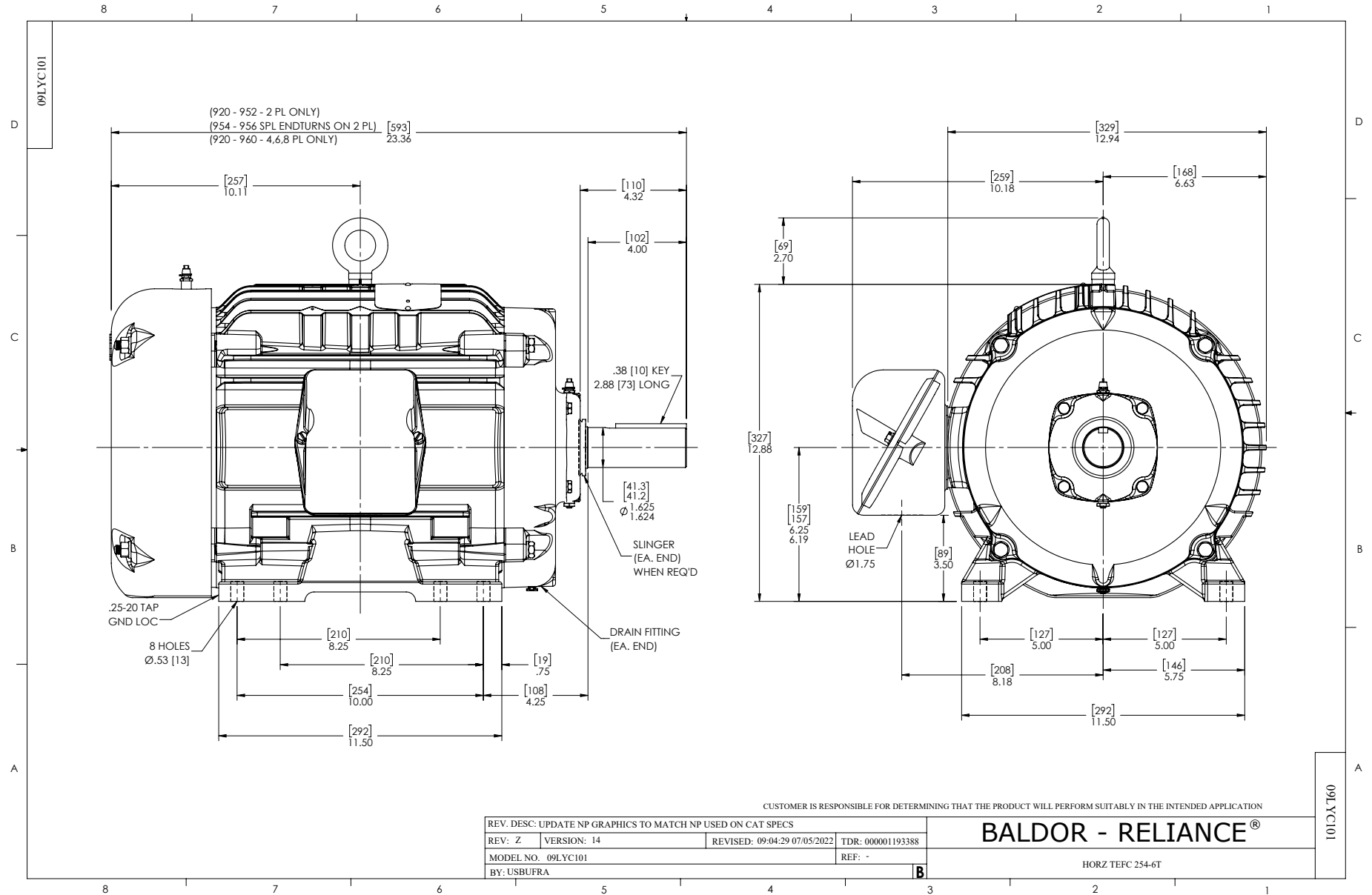
7.5 HP 3 PH 60 HZ 880 RPM 460 V 0960M

Typical performance - not guaranteed values.

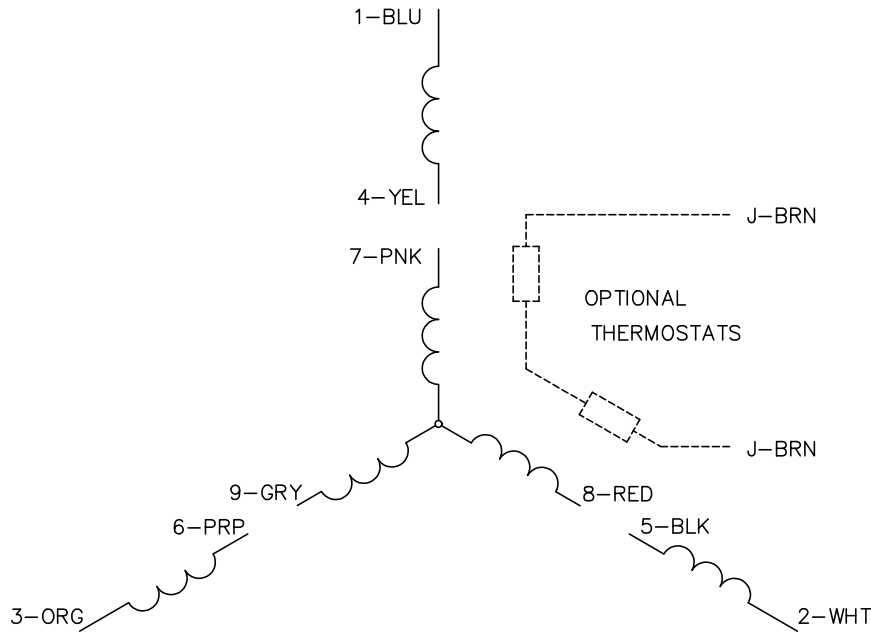
TORQUES (LB-FT): PO=105 PU=58 LR=95.1 LRA=68.6



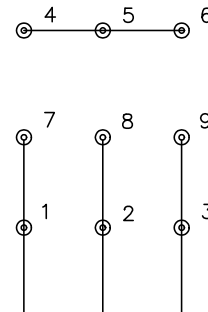
9/1/2023 ACPERF, record # 62347



CD0005

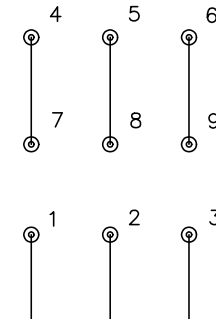


LOW VOLTAGE
(2Y)



LINE

HIGH VOLTAGE
(1Y)



LINE

NOTES:

1. INTERCHANGE ANY TWO LINE LEADS TO REVERSE ROTATION.
2. OPTIONAL THERMOSTATS ARE PROVIDED WHEN SPECIFIED.
3. ACTUAL NUMBER OF INTERNAL PARALLEL CIRCUITS MAY BE A MULTIPLE OF THOSE SHOWN ABOVE.
4. LEAD COLORS ARE OPTIONAL. LEADS MUST ALWAYS BE NUMBERED AS SHOWN.

REV. DESC: REVISE TO SHOW OPTIONAL COLORS			
REV. LTR: E	BY: JLP	REVISED: 01/19/99 10:15	TDR: 0171435
S00000		FILE: AAA00005140	MDL: -
		MTL: -	

BALDOR ELECTRIC Co.

3PH, DV, 9 LEADS

CD0005