



Customer information packet

EM2394T

15HP, 3520RPM, 3PH, 60HZ, 254T, 0930M, TEFC, F1

Class - None

Division - Not Applicable

Specifications

Enclosure	TEFC
Frame	254T
Frame Material	Iron
Frequency	60.00 Hz
Motor Letter Type	Three Phase
Output @ Frequency	15.000 HP @ 60 HZ
Phase	3
Synchronous Speed @ Frequency	3600 RPM @ 60 HZ
Voltage @ Frequency	230.0 V @ 60 HZ 460.0 V @ 60 HZ
XP Class and Group	None
XP Division	Not Applicable
Agency Approvals	CSA EEV CURUSEEV NEMA PREMIUM NEMA_PREMIUM UR
Ambient Temperature	40 °C
Auxillary Box	No Auxillary Box
Auxillary Box Lead Termination	None
Base Indicator	Rigid
Bearing Grease Type	Polyrex EM (-20F +300F)
Blower	None
Current @ Voltage	35.000 A @ 230.0 V 38.000 A @ 208.0 V 17.500 A @ 460.0 V
Design Code	B
Drip Cover	No Drip Cover
Duty Rating	CONT
Efficiency @ 100% Load	91.0 %
Electrically Isolated Bearing	Not Electrically Isolated
Feedback Device	NO FEEDBACK

Part detail

Revision	AS
Type	AC
Mech. spec.	09P11
Base	
Status	PRD/A
Elec. spec.	09WGZ602
Layout	09LYP011
Eff. date	08-01-2023
CD Diagram	CD0180
Poles	02
Leads	9#12
Proprietary	False
Created date	05-06-2010

Front Face Code	Standard
Front Shaft Indicator	None
Heater Indicator	No Heater
High Voltage Full Load Amps	17.5 a
Insulation Class	F
Inverter Code	Inverter Ready
KVA Code	G
Lifting Lugs	Standard Lifting Lugs
Locked Bearing Indicator	Locked Bearing
Motor Lead Exit	Ko Box
Motor Lead Quantity/Wire Size	9 @ 12 AWG
Motor Lead Termination	Flying Leads
Motor Standards	NEMA
Motor Type	0930M
Mounting Arrangement	F1
Number of Poles	2
Overall Length	23.36 IN
Power Factor	87
Product Family	General Purpose
Pulley End Bearing Type	Ball
Pulley Face Code	Standard
Pulley Shaft Indicator	Standard
Rodent Screen	None
Service Factor	1.15
Shaft Diameter	1.625 IN
Shaft Extension Location	Pulley End
Shaft Ground Indicator	No Shaft Grounding
Shaft Rotation	Reversible
Shaft Slinger Indicator	Shaft Slinger
Speed	3520 rpm
Speed Code	Single Speed
Starting Method	Direct on line
Thermal Device - Bearing	None
Thermal Device - Winding	None

Vibration Sensor Indicator	No Vibration Sensor
Winding Thermal 1	None
Winding Thermal 2	None

Nameplate

NP3441LUA

CAT.NO.	EM2394T						
SPEC	09P011Z602						
HP	15						
VOLTS	230/460						
AMPS	35/17.5						
RPM	3520						
FRAME	254T		HZ	60		PH	3
SF	1.15	CODE	G	DES	B	CLASS	F
NEMA NOM. EFF	91	PF	87				
RATING	40C AMB-CONT						
CC	010A	USABLE AT 208V				N/A	
ENCL	TEFC	SER					
DE	6309	ODE	6208				
VPWM INVERTER READY							
CT6-60H(10:1)VT3-60H(20:1	50Hz 15HP 190/380V 42/21A						SF1.0

Accessories

Part number	Description	Multiplier
09-1309	C FACE KIT	A8

AC Induction Motor Performance Data

Record # 31412

Typical performance - not guaranteed values

Winding: 09WGZ602-R001		Type: 0930M	Enclosure: TEFC	
Nameplate Data			460 V, 60 Hz: High Voltage Connection	
Rated Output (HP)	15	Full Load Torque	22.1 LB-FT	
Volts	230/460	Start Configuration	direct on line	
Full Load Amps	35/17.5	Breakdown Torque	105 LB-FT	
R.P.M.	3525	Pull-up Torque	26.2 LB-FT	
Hz	60 Phase	Locked-rotor Torque	36.3 LB-FT	
NEMA Design Code	B KVA Code	Starting Current	110 A	
Service Factor (S.F.)	1.15	No-load Current	5.58 A	
NEMA Nom. Eff.	91 Power Factor	Line-line Res. @ 25°C	0.68654 Ω	
Rating - Duty	40C AMB-CONT	Temp. Rise @ Rated Load	63°C	
S.F. Amps		Temp. Rise @ S.F. Load	78°C	
		Locked-rotor Power Factor	30	
		Rotor inertia	0.766 lb-ft ²	

Load Characteristics 460 V, 60 Hz, 15 HP

% of Rated Load	25	50	75	100	125	150	S.F.
Power Factor	55	77	85	87	89	89	88
Efficiency	86.4	91	91.6	91	90	88.6	90.4
Speed	3582.7	3563.6	3542.7	3520.9	3495.8	3468.3	3506
Line amperes	6.93	9.78	13.5	17.5	21.6	26.4	20

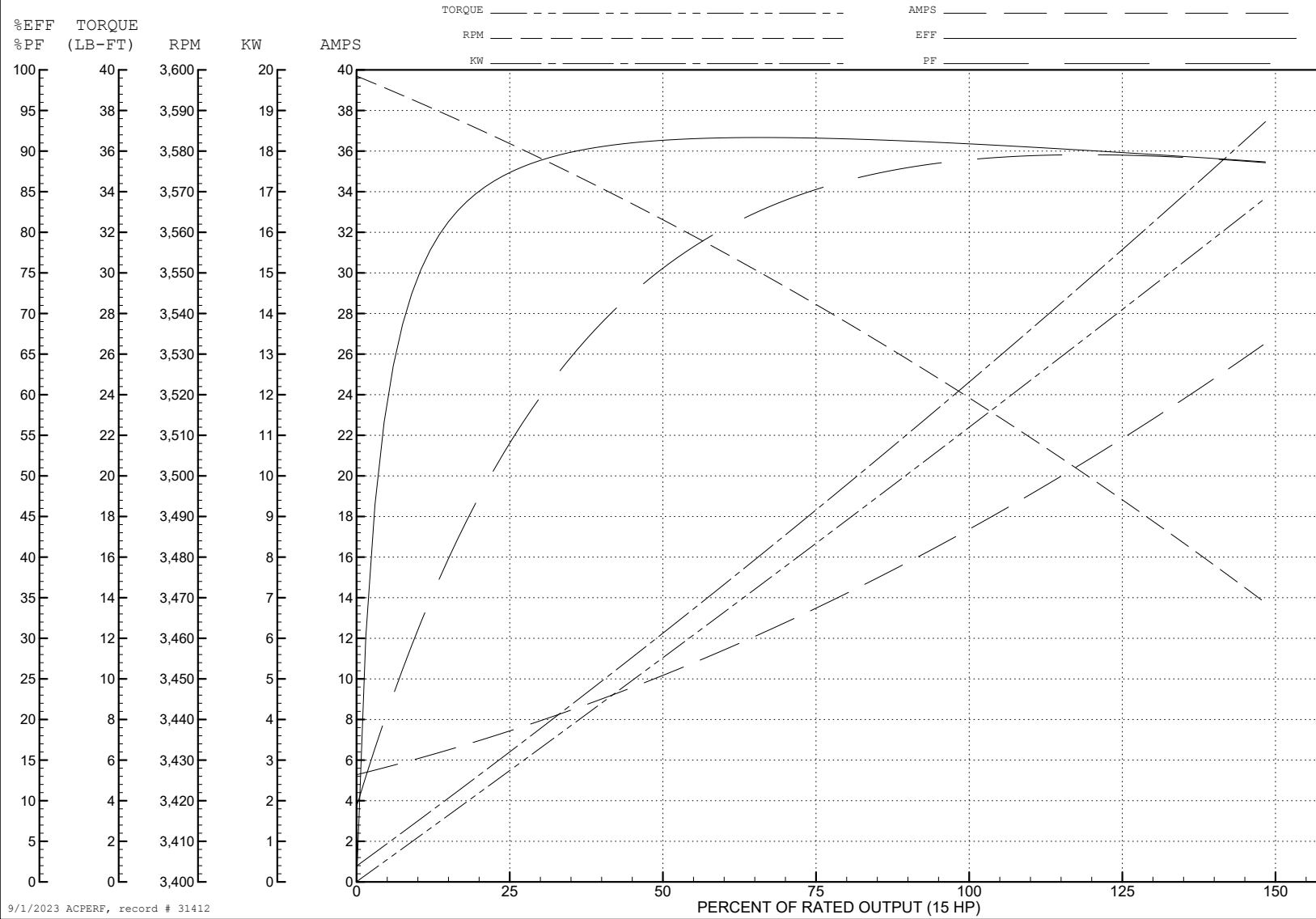
ABB Motors and Mechanical Inc.

WINDING # 09WGZ602

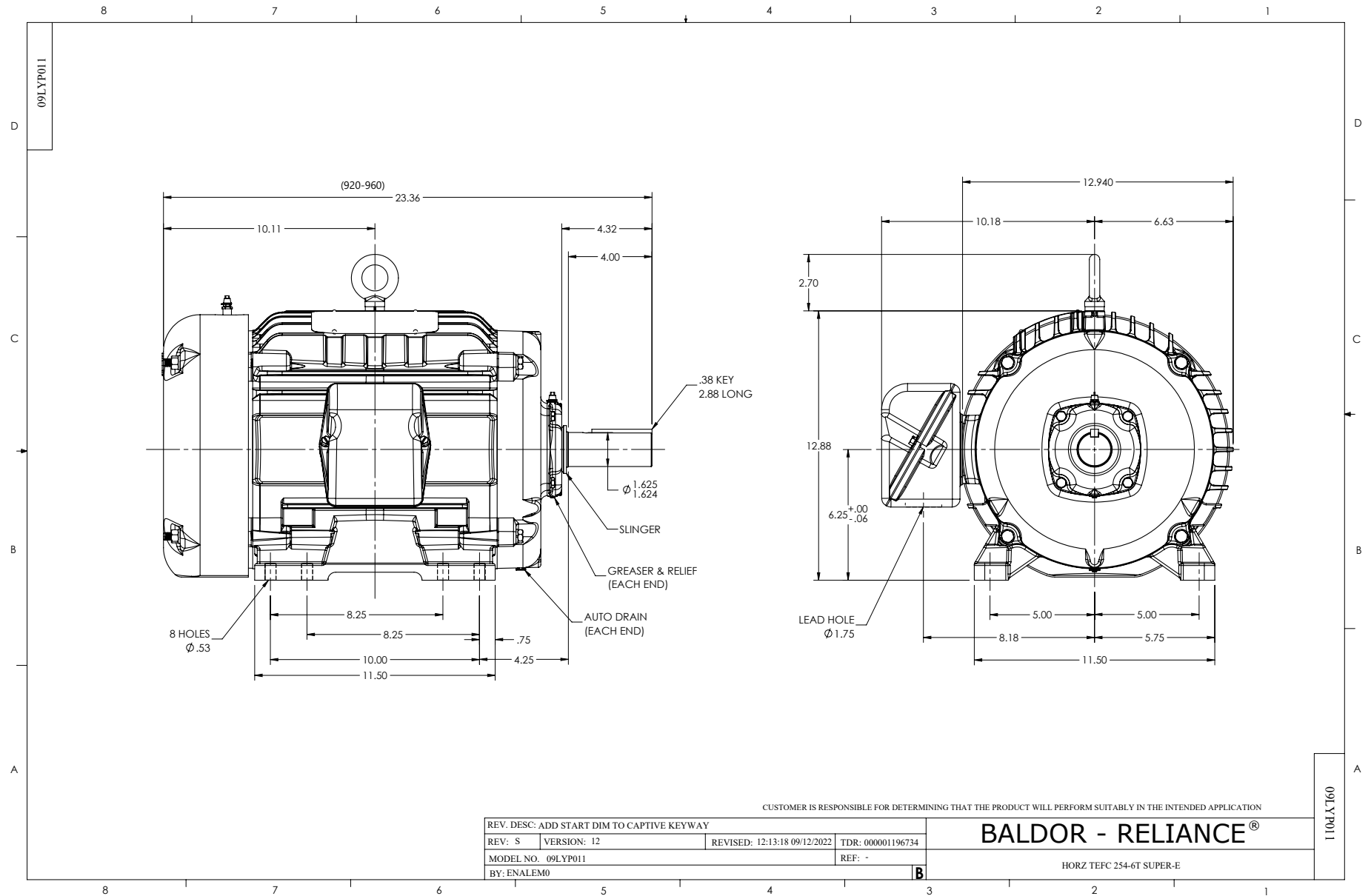
Typical performance - not guaranteed values.

15 HP 3 PH 60 HZ 3525 RPM 460 V 0930M

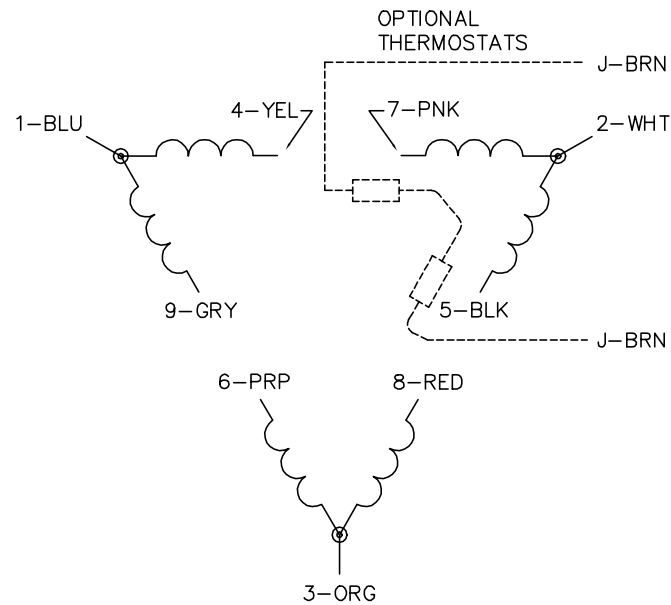
TORQUES (LB-FT): PO=105 PU=26.2 LR=36.3 LRA=110



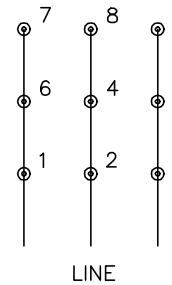
9/1/2023 ACPERF, record # 31412



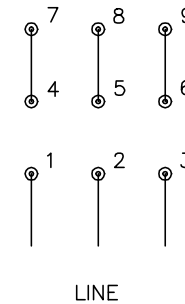
CD0180



LOW VOLTAGE
(2D)



HIGH VOLTAGE
(1D)



NOTES:

1. INTERCHANGE ANY TWO LINE LEADS TO REVERSE ROTATION.
2. OPTIONAL THERMOSTATS ARE PROVIDED WHEN SPECIFIED.
3. ACTUAL NUMBER OF INTERNAL PARALLEL CIRCUITS MAY BE A MULTIPLE OF THOSE SHOWN ABOVE.
4. LEAD COLORS ARE OPTIONAL. LEADS MUST ALWAYS BE NUMBERED AS SHOWN.

CD0180

REV. DESC: ADD CLASS CONN00000007		
REV. LTR: D	VERSION: 01	TDR: 000001099922
FILE: \AAA\00005\148	REVISED: 10: 25: 29 02/19/2019	BY: ENBRIRO
MTL: -	© □	

BALDOR - RELIANCE®

3PH, DV, 9 LEADS, DELTA CONNECTION

SH 1 of 1