



Customer information packet

EM2333T-5

15HP, 1765RPM, 3PH, 60HZ, 254T, 0944M, TEFC, F1

Class - None

Division - Not Applicable

Specifications

| | |
|--------------------------------|---|
| Enclosure | TEFC |
| Frame | 254T |
| Frame Material | Iron |
| Frequency | 60.00 Hz |
| Motor Letter Type | Three Phase |
| Output @ Frequency | 15.000 HP @ 60 HZ |
| Phase | 3 |
| Synchronous Speed @ Frequency | 1800 RPM @ 60 HZ |
| Voltage @ Frequency | 575.0 V @ 60 HZ |
| XP Class and Group | None |
| XP Division | Not Applicable |
| Agency Approvals | CSA EEV NEMA PREMIUM NEMA_PREMIUM UR |
| Ambient Temperature | 40 °C |
| Auxillary Box | No Auxillary Box |
| Auxillary Box Lead Termination | None |
| Base Indicator | Rigid |
| Bearing Grease Type | Polyrex EM (-20F +300F) |
| Blower | None |
| Current @ Voltage | 14.600 A @ 575.0 V |
| Design Code | A |
| Drip Cover | No Drip Cover |
| Duty Rating | CONT |
| Efficiency @ 100% Load | 92.4 % |
| Electrically Isolated Bearing | Not Electrically Isolated |
| Feedback Device | NO FEEDBACK |
| Front Face Code | Standard |
| Front Shaft Indicator | None |
| Heater Indicator | No Heater |
| High Voltage Full Load Amps | 14.6 a |

Part detail

| | |
|--------------|------------|
| Revision | AD |
| Type | AC |
| Mech. spec. | 09P11 |
| Base | |
| Status | PRD/A |
| Elec. spec. | 09WGT124 |
| Layout | 09LYP011 |
| Eff. date | 08-01-2023 |
| CD Diagram | CD0006 |
| Poles | 04 |
| Leads | 3#12 |
| Proprietary | False |
| Created date | 10-23-2015 |

| | |
|-------------------------------|-----------------------|
| Insulation Class | F |
| Inverter Code | Inverter Ready |
| KVA Code | H |
| Lifting Lugs | Standard Lifting Lugs |
| Locked Bearing Indicator | Locked Bearing |
| Motor Lead Exit | Ko Box |
| Motor Lead Quantity/Wire Size | 3 @ 12 AWG |
| Motor Lead Termination | Flying Leads |
| Motor Standards | NEMA |
| Motor Type | 0944M |
| Mounting Arrangement | F1 |
| Number of Poles | 4 |
| Overall Length | 23.36 IN |
| Power Factor | 83 |
| Product Family | General Purpose |
| Pulley End Bearing Type | Ball |
| Pulley Face Code | Standard |
| Pulley Shaft Indicator | Standard |
| Rodent Screen | None |
| Service Factor | 1.15 |
| Shaft Diameter | 1.625 IN |
| Shaft Extension Location | Pulley End |
| Shaft Ground Indicator | No Shaft Grounding |
| Shaft Rotation | Reversible |
| Shaft Slinger Indicator | Shaft Slinger |
| Speed | 1765 rpm |
| Speed Code | Single Speed |
| Starting Method | Direct on line |
| Thermal Device - Bearing | None |
| Thermal Device - Winding | None |
| Vibration Sensor Indicator | No Vibration Sensor |
| Winding Thermal 1 | None |
| Winding Thermal 2 | None |

Nameplate

| NP3441L | | | | | | | | | |
|----------------------------------|--------------|-------------|-----------------------|------------|---|-----------|-----|--|--|
| CAT.NO. | EM2333T-5 | | | | | | | | |
| SPEC. | 09P011T124 | | | | | | | | |
| HP | 15 | | | | | | | | |
| VOLTS | 575 | | | | | | | | |
| AMP | 14.6 | | | | | | | | |
| RPM | 1765 | | | | | | | | |
| FRAME | 254T | | HZ | 60 | | PH | 3 | | |
| SER.F. | 1.15 | CODE | H | DES | A | CL | F | | |
| NEMA-NOM-EFF | 92.4 | PF | 83 | | | | | | |
| RATING | 40C AMB-CONT | | | | | | | | |
| CC | 010A | | USABLE AT 208V | | | | N/A | | |
| DE | 6309 | | ODE | 6208 | | | | | |
| ENCL | TEFC | SN | | | | | | | |
| VPWM INVERTER READY | | | | | | | | | |
| CT6-60H(10:1)VT3-60H(20:1 | | | | | | | | | |
| | SFA 16.7 | | | | | | | | |

AC Induction Motor Performance Data

Record # 47378

Typical performance - not guaranteed values

| Winding: 09WGT124-R001 | | Type: 0944M | Enclosure: TEFC | |
|------------------------|-------------------|---------------------|---|-------------------------|
| Nameplate Data | | | 575 V, 60 Hz: Single Voltage Motor | |
| Rated Output (HP) | 15 | Full Load Torque | 44.5 LB-FT | |
| Volts | 575 | Start Configuration | direct on line | |
| Full Load Amps | 14.6 | Breakdown Torque | 153 LB-FT | |
| R.P.M. | 1765 | Pull-up Torque | 69.5 LB-FT | |
| Hz | 60 Phase | 3 | Locked-rotor Torque | 86.5 LB-FT |
| NEMA Design Code | A KVA Code | H | Starting Current | 102 A |
| Service Factor (S.F.) | 1.15 | No-load Current | 6.05 A | |
| NEMA Nom. Eff. | 92.4 Power Factor | 83 | Line-line Res. @ 25°C | 0.874 Ω |
| Rating - Duty | 40C AMB-CONT | | Temp. Rise @ Rated Load | 54°C |
| S.F. Amps | | | Temp. Rise @ S.F. Load | 66°C |
| | | | Locked-rotor Power Factor | 33.1 |
| | | | Rotor inertia | 1.92 lb-ft ² |

Load Characteristics 575 V, 60 Hz, 15 HP

| % of Rated Load | 25 | 50 | 75 | 100 | 125 | 150 | S.F. |
|-----------------|------|------|------|------|------|------|------|
| Power Factor | 45 | 69 | 78 | 83 | 85 | 87 | 86 |
| Efficiency | 88.1 | 92.3 | 92.6 | 92.4 | 91.5 | 90.5 | 92.2 |
| Speed | 1791 | 1783 | 1774 | 1765 | 1755 | 1743 | 1769 |
| Line amperes | 6.9 | 8.8 | 11.6 | 14.6 | 18.1 | 21.5 | 16.3 |

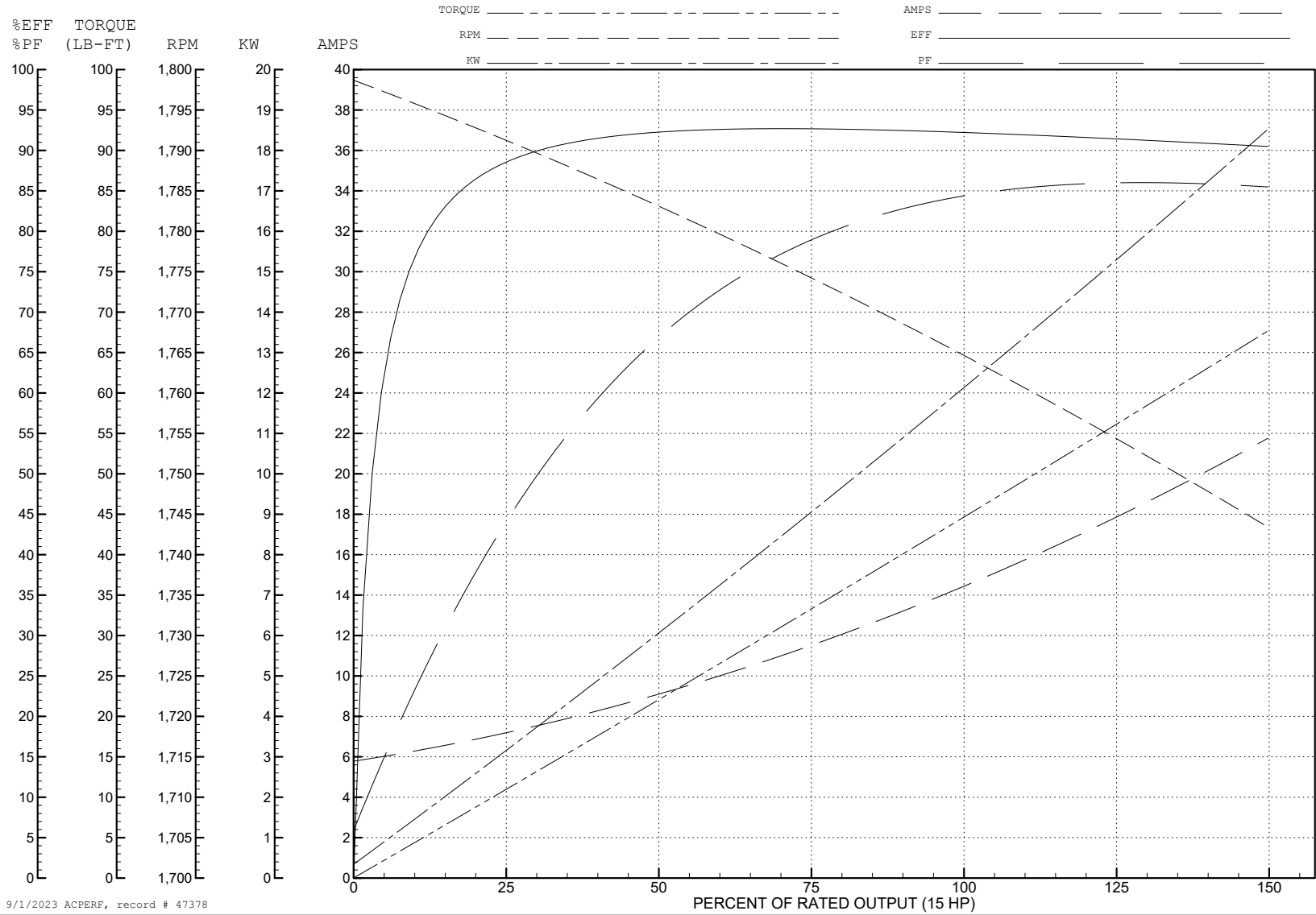
ABB Motors and Mechanical Inc.

WINDING # 09WGT124

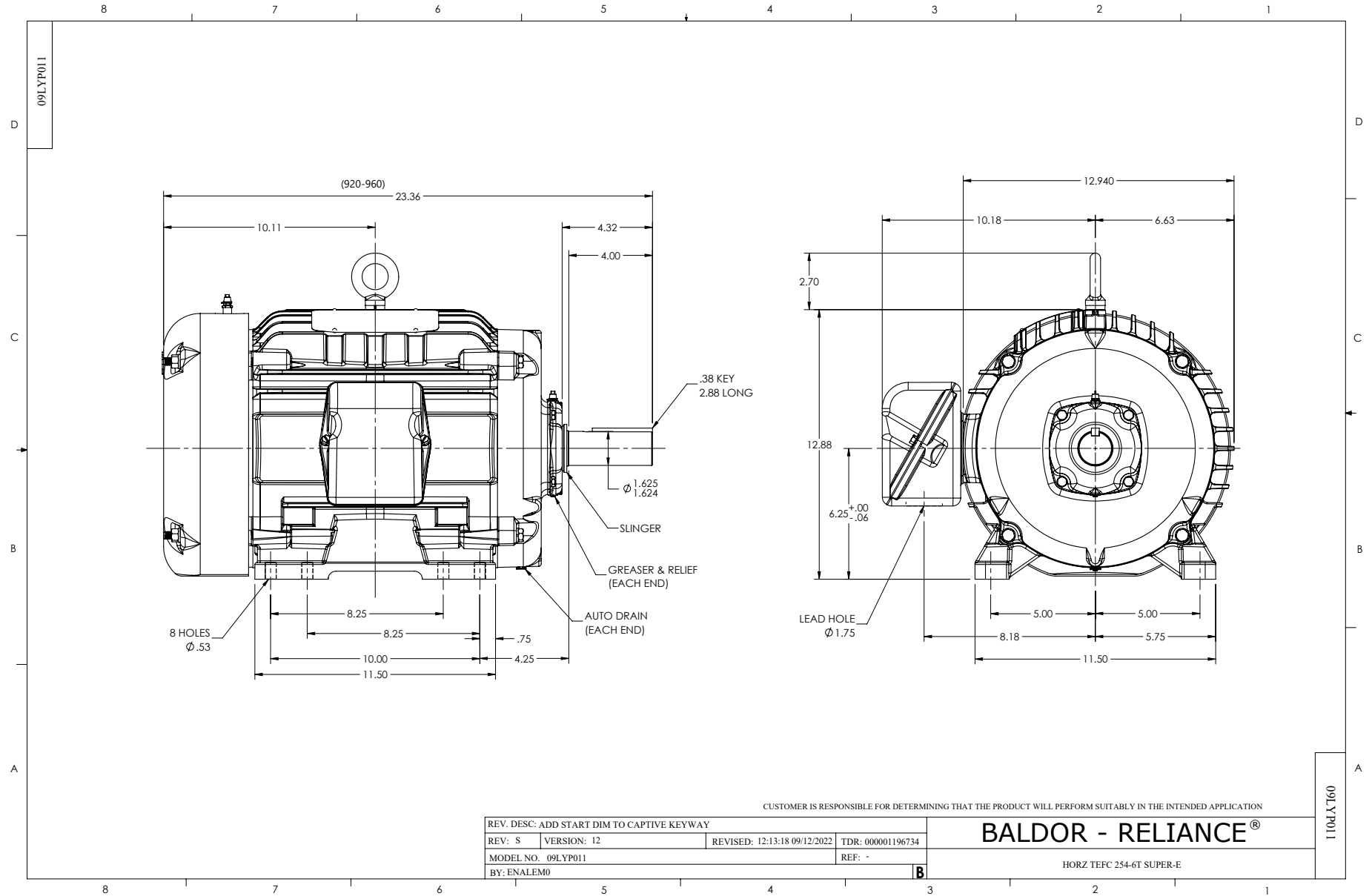
Typical performance - not guaranteed values.

15 HP 3 PH 60 HZ 1765 RPM 575 V 0944M

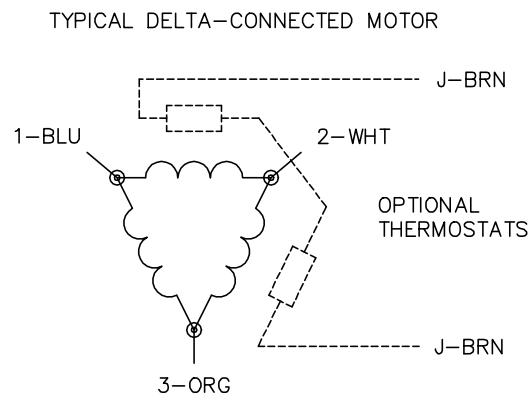
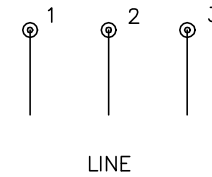
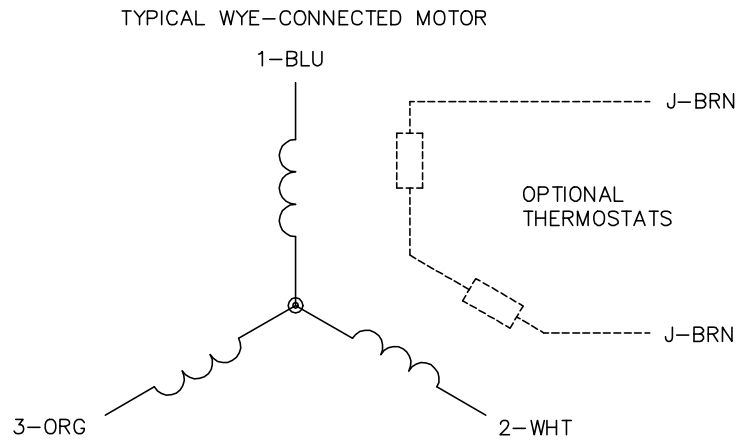
TORQUES (LB-FT): PO=153 PU=69.5 LR=86.5 LRA=102



9/1/2023 ACPERF, record # 47378



CD0006



NOTES:

1. THREE LEAD MOTOR MAY BE EITHER WYE CONNECTED OR DELTA CONNECTED.
2. INTERCHANGE ANY TWO LINE LEADS TO REVERSE ROTATION.
3. OPTIONAL THERMOSTATS ARE PROVIDED WHEN SPECIFIED.
4. ACTUAL NUMBER OF INTERNAL PARALLEL CIRCUITS MAY VARY.
5. LEAD COLORS ARE OPTIONAL. LEADS MUST BE NUMBERED AS SHOWN.

CD0006

| | | |
|-----------------------------------|------------------------------|-------------------|
| REV. DESC: ADD CLASS CONN00000007 | | |
| REV. LTR: E | VERSION: 01 | TDR: 000001099922 |
| FILE: \AAA\00005\141 | REVISED: 10:24:49 02/19/2019 | BY: ENBRIRO |
| MTL: - | © □ | |

BALDOR - RELIANCE®

3PH, SV, 3 LEADS, WYE OR DELTA CONNECTED

SH 1 of 1