



---

# Customer information packet

## EL3609T

3HP, 1755RPM, 1PH, 60HZ, 184T, 3640LC, TEFC, F1

Class - None

Division - Not Applicable

## Specifications

Enclosure	TEFC
Frame	184T
Frame Material	Steel
Frequency	60.00 Hz
Motor Letter Type	Cap Start, Cap Run
Output @ Frequency	3.000 HP @ 60 HZ
Phase	1
Synchronous Speed @ Frequency	1800 RPM @ 60 HZ
Voltage @ Frequency	230.0 V @ 60 HZ
XP Class and Group	None
XP Division	Not Applicable
Agency Approvals	UR CSA CSA EEV
Ambient Temperature	40 °C
Auxillary Box	No Auxillary Box
Auxillary Box Lead Termination	None
Base Indicator	Rigid
Bearing Grease Type	Polyrex EM (-20F +300F)
Blower	None
Current @ Voltage	11.800 A @ 230.0 V
Design Code	L
Drip Cover	No Drip Cover
Duty Rating	CONT
Efficiency @ 100% Load	85.5 %
Electrically Isolated Bearing	Not Electrically Isolated
Feedback Device	NO FEEDBACK
Front Face Code	Standard
Front Shaft Indicator	None
Heater Indicator	No Heater
High Voltage Full Load Amps	11.8 a
Insulation Class	F

## Part detail

Revision	AQ
Type	AC
Mech. spec.	36E004
Base	
Status	PRD/A
Elec. spec.	36WGY528
Layout	36LYE004
Eff. date	12-09-2020
CD Diagram	CD0017A02
Poles	04
Leads	2#14 A PH,2#16 B PH
Proprietary	False
Created date	01-01-0001

<b>Inverter Code</b>	Not Inverter
<b>KVA Code</b>	H
<b>Lifting Lugs</b>	No Lifting Lugs
<b>Locked Bearing Indicator</b>	No Locked Bearing
<b>Motor Lead Exit</b>	Ko Box
<b>Motor Lead Quantity/Wire Size</b>	2 @ 14 AWG, A PH
<b>Motor Lead Termination</b>	Flying Leads
<b>Motor Standards</b>	NEMA
<b>Motor Type</b>	3640LC
<b>Mounting Arrangement</b>	F1
<b>Number of Poles</b>	4
<b>Overall Length</b>	18.06 IN
<b>Power Factor</b>	96
<b>Product Family</b>	General Purpose
<b>Pulley End Bearing Type</b>	Ball
<b>Pulley Face Code</b>	Standard
<b>Pulley Shaft Indicator</b>	Standard
<b>Rodent Screen</b>	None
<b>Service Factor</b>	1.15
<b>Shaft Diameter</b>	1.125 IN
<b>Shaft Extension Location</b>	Pulley End
<b>Shaft Ground Indicator</b>	No Shaft Grounding
<b>Shaft Rotation</b>	Reversible
<b>Shaft Slinger Indicator</b>	No Slinger
<b>Speed</b>	1755 rpm
<b>Speed Code</b>	Single Speed
<b>Starting Method</b>	Direct on line
<b>Thermal Device - Bearing</b>	None
<b>Thermal Device - Winding</b>	None
<b>Vibration Sensor Indicator</b>	No Vibration Sensor
<b>Winding Thermal 1</b>	None
<b>Winding Thermal 2</b>	None

**Nameplate**

<b>NP2116L</b>									
<b>CAT.NO.</b>	EL3609T								
<b>SPEC.</b>	36E004Y528E7								
<b>HP</b>	3								
<b>VOLTS</b>	230								
<b>AMP</b>	11.8								
<b>RPM</b>	1755								
<b>FRAME</b>	184T			<b>HZ</b>	60		<b>PH</b>	1	
<b>SER.F.</b>	1.15	<b>CODE</b>	H	<b>DES</b>	L	<b>CL</b>	F		
<b>NEMA-NOM-EFF</b>	85.5	<b>PF</b>	96						
<b>RATING</b>	40C AMB-CONT								
<b>CC</b>				<b>USABLE AT 208V</b>					
<b>DE</b>	6206	<b>ODE</b>		6205					
<b>ENCL</b>	TEFC	<b>SN</b>							

## Parts list

Part number	Description	Quantity
SA034404	SA 36E004Y528E7	1.000 ea
RA030432	RA 36E004Y528E7	1.000 ea
OC3035F09SP	CYL OIL CAP 35MFD/370V	1.000 ea
EC1130C04	ELEC CAP, 130-156 MFD, 250V, 1.81D X 4.	1.000 ea
EC1145C06SP	ELEC CAP 230V 2.0 X 4.3	1.000 ea
36CB3004	36 CB CASTING W/1.09 DIA LEAD HOLE @ 6:0	1.000 ea
36GS1000SP	GASKET-CONDUIT BOX, .06 THICK #SV-330 LE	1.000 ea
51XB1016A08	10-16X 1/2HXWSSLD SERTYB	2.000 ea
11XW1032G06	10-32 X .38, TAPTITE II, HEX WSHR SLTD U	1.000 ea
HW3001B01	BRASS CUP WASHER, FOR #10 SCREW	1.000 ea
36EP3104A01	FREP MACH ASSEMBLY FOR ROUTING	1.000 ea
HW4500A01	1641B(ALEMITE)400 UNIV, GREASE FITT	1.000 ea
13XF0832A08	8-32 X.50 PAN HD,SLTD, TYPE F SCREW, ZIN	2.000 ea
36GS3000	GASKET, CAPACITOR COVER LEXIDE	1.000 ea
51XW2520A10	.25-20 X .62, TAPTITE II, HEX WSHR SLTD	2.000 ea
HW5100A05	WVY WSHR F/205 & 304 BRGS	1.000 ea
36EP3100A01SP	PUEP ASSEMBLY FOR ROUTING PURPOSES	1.000 ea
HW4500A01	1641B(ALEMITE)400 UNIV, GREASE FITT	1.000 ea
XY2520A12	1/4-20 HEX NUT, DIRECTIONAL SERRATIONS	4.000 ea
51XB1214A16	12-14X1.00 HXWSSLD SERTYB	1.000 ea
51XW1032A06	10-32 X .38, TAPTITE II, HEX WSHR SLTD S	3.000 ea
36CB4516	750LIPPED CB LID - GALVANNEAL	1.000 ea
37GS1001	GASKET, CONDUIT BOX LID, .06 THICK LEXID	1.000 ea
51XW0832A07	8-32 X .44, TAPTITE II, HEX WSHR SLTD SE	4.000 ea
HW2501E16	KEY, 1/4 SQ X 1.750	1.000 ea
HA7000A02	KEY RETAINER RING, 1 1/8 DIA, 1 3/8 DIA	1.000 ea
85XU0407S04	4X1/4 U DRIVE PIN STAINLESS	2.000 ea
HA6362ZP	LIFTING LUG FOR 36 FRAME MOTORS.	2.000 ea
36CB3800SP	CAPACITOR COVER, CAST	1.000 ea
HA7010A01	CAPACITOR RETENTION CLAMP, 6.562 LONG	1.000 ea
MJ1000A02	GREASE, POLYREX EM EXXON	0.050 lb

36FN3000C01SP	EXFN, PLASTIC, 5.25 OD, .912 ID	1.000 ea
36FH4009A124	IEC FH W/GRSR,GRILL,NO DIMPLES,PRIMER	1.000 ea
LB1115N	LABEL,LIFTING DEVICE (ON ROLLS)	1.000 ea
HA3101A40	THRUBOLT 1/4-20 X 12.687	4.000 ea
WD1000A15	3-520132-2 AMP FLAG (4M/RL NON-CANC/NON-	6.000 ea
SP5172A05	37 TYPE LC TORQ STAT SW LEAD ASSEMBLY	1.000 ea
MG1000Y03	MUNSELL 2.53Y 6.70/ 4.60, GLOSS 20,	0.022 ga
LB1119N	WARNING LABEL	1.000 ea
LC0017	CONN LABEL-1 PHASE-SINGLE VOLT-REV ROTNO	1.000 ea
NP2116L	ALUM SUPER-E UL CSA CC	1.000 ea
36PA1001	PKG GRP, PRINT PK1017A06	1.000 ea
MN416A01	TAG-INSTAL-MAINT no wire (2100bx)4/22	1.000 ea

**Accessories**

<b>Part number</b>	<b>Description</b>	<b>Multiplier</b>
36-3301	C FACE KIT	A8
36EP1304A62SP	FLANGE MTD ENDPLATE 182-4TD -ENCL (LESS	A8

**AC Induction Motor Performance Data**

Record # 11392

Typical performance - not guaranteed values

Winding: 36WGY528-R001		Type: 3640LC	Enclosure: TEFC	
<b>Nameplate Data</b>			<b>230 V, 60 Hz: Single Voltage Motor</b>	
Rated Output (HP)	3	Full Load Torque	9 LB-FT	
Volts	230	Start Configuration	direct on line	
Full Load Amps	11.8	Breakdown Torque	21 LB-FT	
R.P.M.	1755	Pull-up Torque	18 LB-FT	
Hz	60 Phase	Locked-rotor Torque	25 LB-FT	
NEMA Design Code	L KVA Code	Starting Current	85 A	
Service Factor (S.F.)	1.15	No-load Current	1.9 A	
NEMA Nom. Eff.	85.5 Power Factor	Line-line Res. @ 25°C	0.662 Ω A Ph 1.52 Ω B Ph	
Rating - Duty	40C AMB-CONT	Temp. Rise @ Rated Load	59°C	
S.F. Amps		Temp. Rise @ S.F. Load	75°C	

**Load Characteristics 230 V, 60 Hz, 3 HP**

% of Rated Load	25	50	75	100	125	150	S.F.
Power Factor	92	96	97	97	96	96	95
Efficiency	71	83.1	85.9	85.7	83.6	80	84.4
Speed	1787	1775	1762	1745	1728	1705	1735
Line amperes	3.7	6.1	8.9	11.8	15.3	19.5	14.1



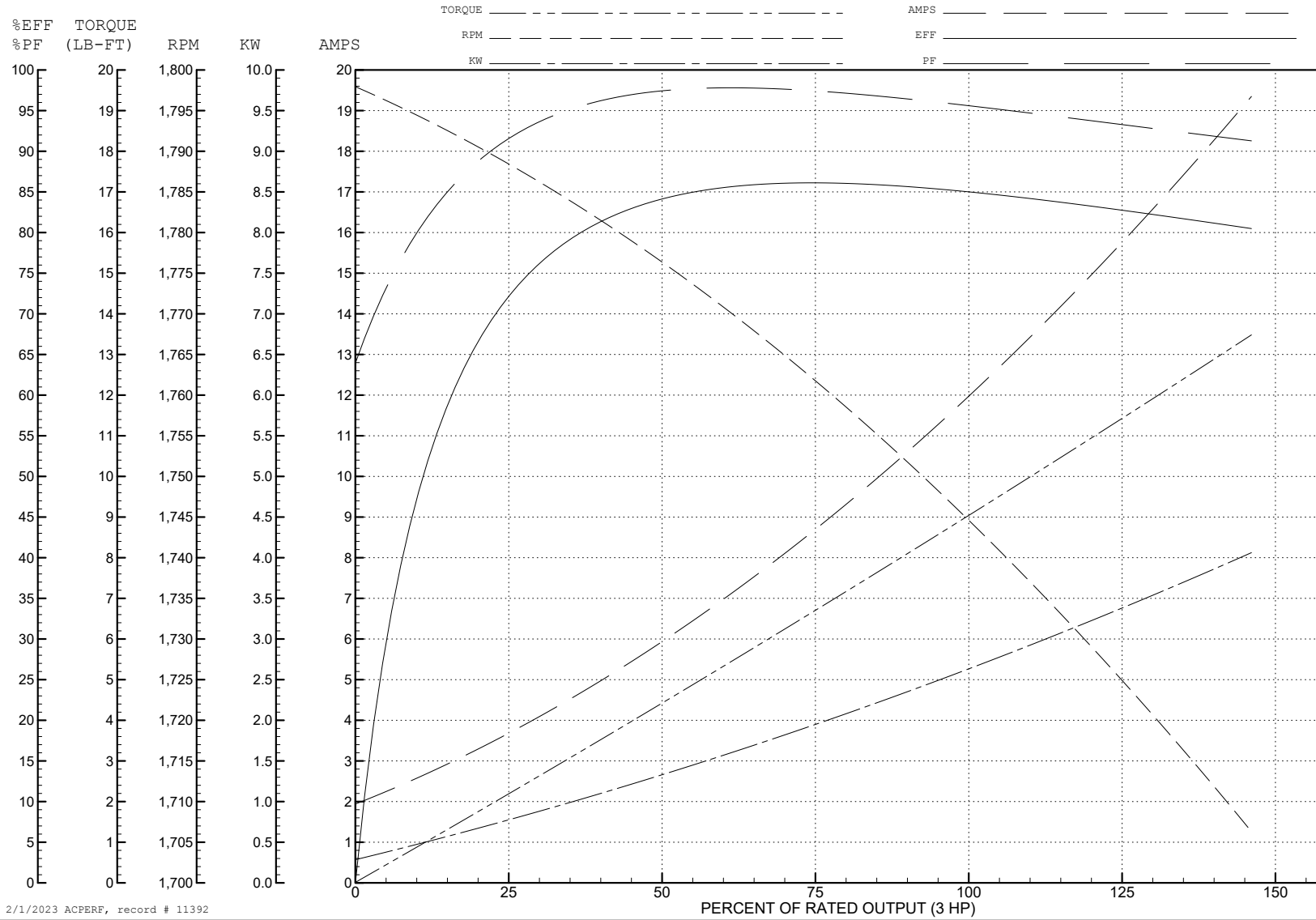
ABB Motors and Mechanical Inc.

WINDING # 36WGY528

3 HP 1 PH 60 HZ 1755 RPM 230 V 3640LC

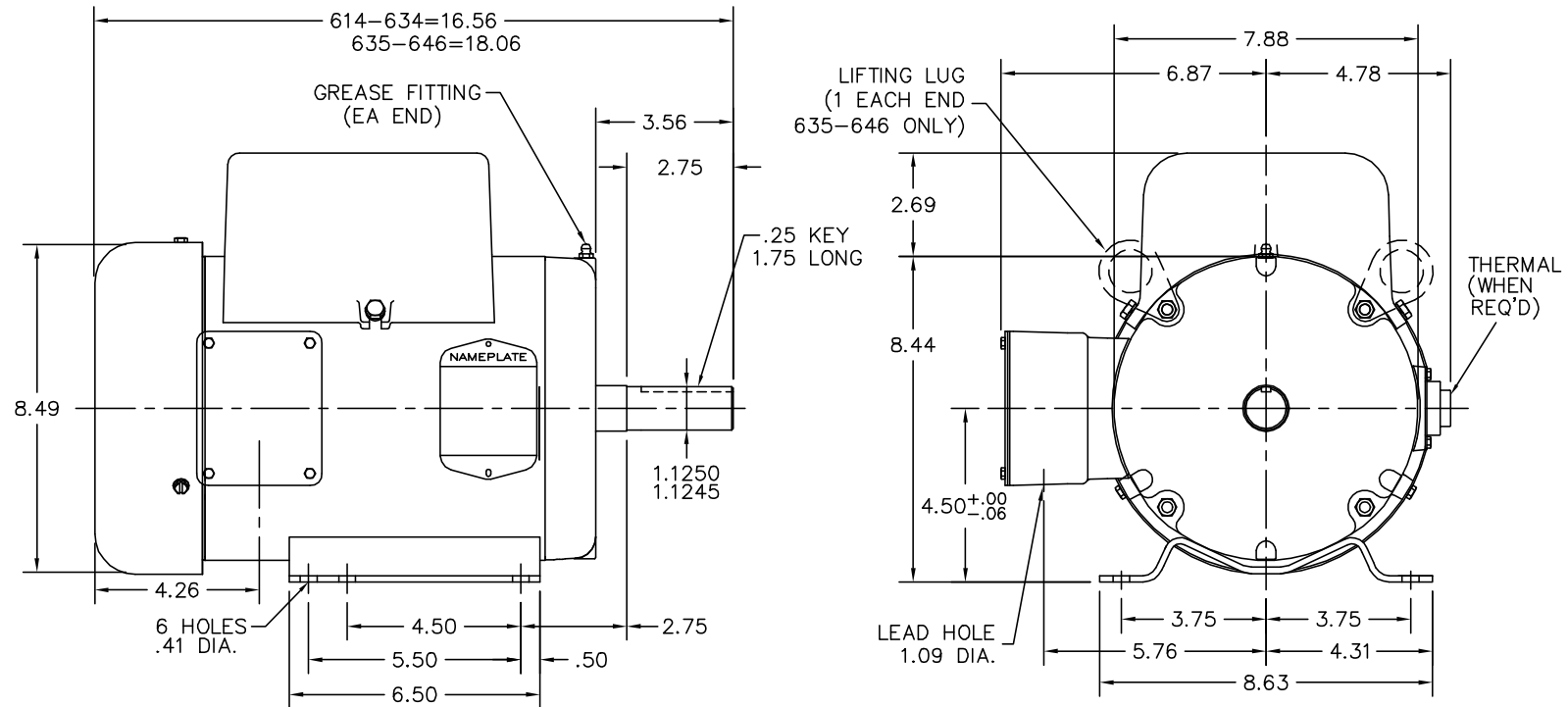
Typical performance - not guaranteed values.

TORQUES (LB-FT): PO=21 PU=18 LR=25 LRA=85



2/1/2023 ACPERF, record # 11392

36LYE004



CUSTOMER IS RESPONSIBLE FOR DETERMINING THAT BALDOR'S PRODUCT WILL PERFORM SUITABLY IN THE INTENDED APPLICATION.

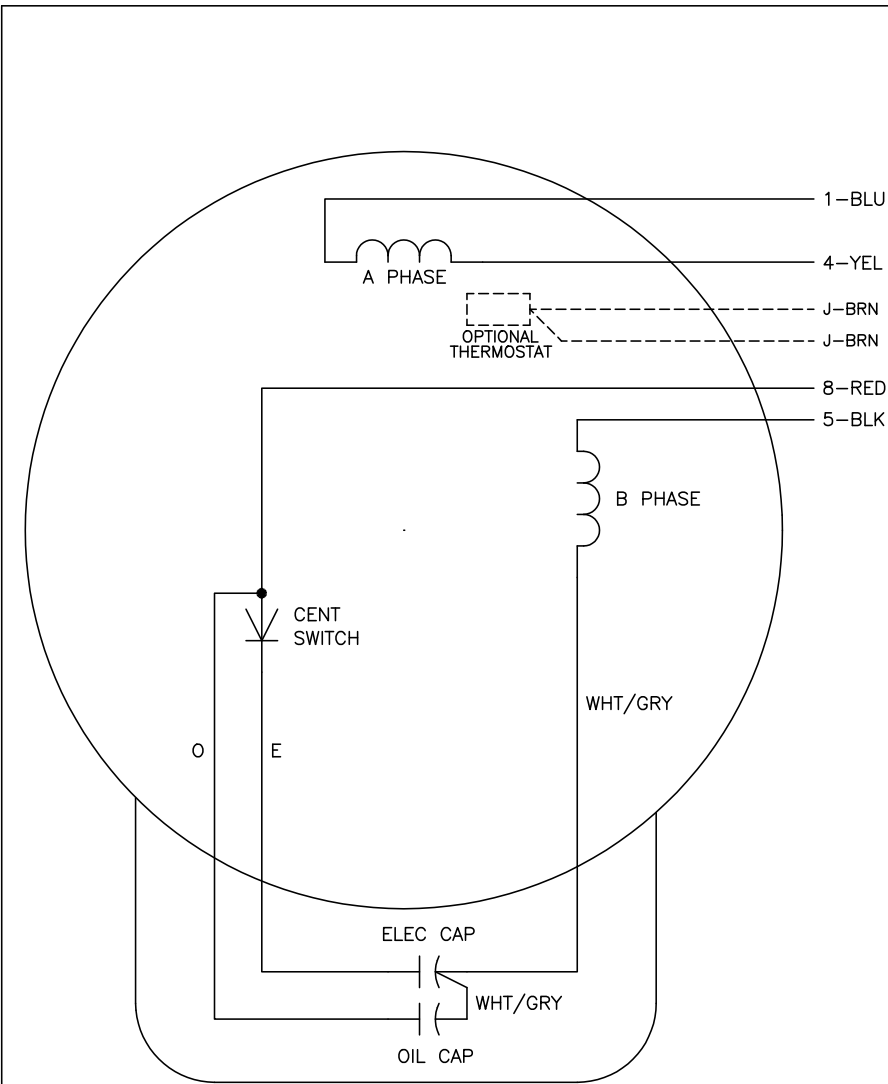
REV. DESC: CHG FREP TO 36EP3104A01, CHG FH TO 36FH4009A124		
REV. LTR: H	VERSION: 02	TDR: 000000919753
FILE: \AAA\00003\198	REVISED: 02:06:19 04/10/2015	BY: FGCHAH1
MTL: -		

**BALDOR**

STD HORZ 182-4T TEFC 36L-LC  
SH 1 of 1

36LYE004

CD0017A02



	LINE A	LINE B
STD	1,8	4,5
OPP	1,5	4,8

**NOTES:**

1. STANDARD ROTATION IS CCW FACING END OPPOSITE SHAFT EXTENSION.
2. OPTIONAL THERMOSTAT IS PROVIDED WHEN SPECIFIED.
3. MULTIPLE CAPACITORS ARE CONNECTED IN PARALLEL UNLESS OTHERWISE SPECIFIED.
4. LEAD COLORS ARE OPTIONAL. LEADS MUST ALWAYS BE NUMBERED AS SHOWN.

CD0017A02

REV. DESC: REVISE TO SHOW OPTIONAL COLORS			
REV. LTR: B	BY: JLP	REVISED: 04/09/99 11:30	TDR: 0178636
CD0017A02		FILE: AAA00007514	MDL: -
		MTL: -	

**BALDOR ELECTRIC Co.**

TYPE LC, SV, REV, 4 LEADS