

BALDOR® • RELIANCE™

Customer information packet

EL3405

.33HP, 3450RPM, 1PH, 60HZ, 48, 3420LC, TEFC, F1

Class - None

Division - Not Applicable

Specifications

Enclosure	TEFC
Frame	48
Frame Material	Steel
Frequency	60.00 Hz
Motor Letter Type	Cap Start, Cap Run
Output @ Frequency	.330 HP @ 60 HZ
Phase	1
Synchronous Speed @ Frequency	3600 RPM @ 60 HZ
Voltage @ Frequency	115.0 V @ 60 HZ
	208.0 V @ 60 HZ
	230.0 V @ 60 HZ
XP Class and Group	None
XP Division	Not Applicable
Agency Approvals	CSA EEV
	CSA
	UR
Ambient Temperature	40 °C
Auxillary Box	No Auxillary Box
Auxillary Box Lead Termination	None
Base Indicator	Rigid
Bearing Grease Type	Polyrex EM (-20F +300F)
Blower	None
Current @ Voltage	1.600 A @ 230.0 V
	1.700 A @ 208.0 V
	3.200 A @ 115.0 V
Design Code	N
Drip Cover	No Drip Cover
Duty Rating	CONT
Efficiency @ 100% Load	72.0 %
Electrically Isolated Bearing	Not Electrically Isolated
Feedback Device	NO FEEDBACK
Front Face Code	Standard

Part detail

Revision	M
Type	AC
Mech. spec.	34G374
Base	
Status	PRD/A
Elec. spec.	34WGY788
Layout	34LYG374
Eff. date	04-22-2021
CD Diagram	CD0055
Poles	02
Leads	6#18
Proprietary	False
Created date	11-06-2008

Front Shaft Indicator	None
Heater Indicator	No Heater
High Voltage Full Load Amps	1.6 a
Insulation Class	F
Inverter Code	Not Inverter
KVA Code	L
Lifting Lugs	No Lifting Lugs
Locked Bearing Indicator	No Locked Bearing
Motor Lead Exit	Ko Box
Motor Lead Quantity/Wire Size	6 @ 18 AWG
Motor Lead Termination	Flying Leads
Motor Standards	NEMA
Motor Type	3420LC
Mounting Arrangement	F1
Number of Poles	2
Overall Length	11.35 IN
Power Factor	96
Product Family	General Purpose
Pulley End Bearing Type	Ball
Pulley Face Code	Standard
Pulley Shaft Indicator	Standard
Rodent Screen	None
RoHS Status	ROHS COMPLIANT
Service Factor	1.35
Shaft Diameter	0.500 IN
Shaft Extension Location	Pulley End
Shaft Ground Indicator	No Shaft Grounding
Shaft Rotation	Reversible
Shaft Slinger Indicator	No Slinger
Speed	3450 rpm
Speed Code	Single Speed
Starting Method	Direct on line
Thermal Device - Bearing	None
Thermal Device - Winding	None

Vibration Sensor Indicator	No Vibration Sensor
Winding Thermal 1	None
Winding Thermal 2	None

Nameplate

NP2116L									
CAT.NO.	EL3405								
SPEC.	34G374Y788G1								
HP	.33								
VOLTS	115/208-230								
AMP	3.2/1.7-1.6								
RPM	3450								
FRAME	48			HZ	60		PH	1	
SER.F.	1.35	CODE	L	DES	N	CL	F		
NEMA-NOM-EFF	72	PF	96						
RATING	40C AMB-CONT								
CC				USABLE AT 208V					
DE	6203	ODE	6203						
ENCL	TEFC	SN							
	SFA 4/2.2-2								

Parts list

Part number	Description	Quantity
SA177142	SA 34G374Y788G1	1.000 ea
RA165194	RA 34G374Y788G1	1.000 ea
OC3012F12SP	CYL OIL CAP 12MFD/370V	1.000 ea
EC1088A01	ELEC CAP, 88-106 MFD, 125V, 1.48D X 2.	1.000 ea
NS2512A01	INSULATOR, CONDUIT BOX X	1.000 ea
34CB3002A	CB CAST W/.88 DIA HOLE	1.000 ea
34GS1029A01	GASKET, CONDUIT BOX	1.000 ea
51XB1016A07	10-16 X 7/16 HXWSSLD SERTYB	2.000 ea
11XW1032G06	10-32 X .38, TAPTITE II, HEX WSHR SLTD U	1.000 ea
51XW0832A07	8-32 X .44, TAPTITE II, HEX WSHR SLTD SE	2.000 ea
34EP3102A01SP	FR ENDPLATE, MACH	1.000 ea
34CB3801	CAPACITOR BOX, DIE CAST	1.000 ea
34GS3002	GASKET, CAPACITOR BOX	1.000 ea
NS2501A02	INSULATOR, CAPACITOR BOX	1.000 ea
51XB1214A08	12-14 X 1/2HX WS SL SR TYBX	2.000 ea
HW5100A03	WAVY WASHER (W1543-017)	1.000 ea
34EP3102A02SP	FR/PU ENDPLATE, MACH	1.000 ea
XY1032A02	10-32 HEX NUT DIRECTIONAL SERRATION	4.000 ea
34FN3002A01SP	EXTERNAL FAN, PLASTIC, .637/.639 HUB W/	1.000 ea
34FH4002A01SP	IEC FH NO GREASER PRIMED	1.000 ea
51XW1032A06	10-32 X .38, TAPTITE II, HEX WSHR SLTD S	3.000 ea
34CB4517	CB LID 4 MTG HOLES .22 DIA STAMPED, FOR	1.000 ea
34GS1031A01	GASKET, FLAT CONDUIT BOX LID (LEXIDE)	1.000 ea
51XW0832A07	8-32 X .44, TAPTITE II, HEX WSHR SLTD SE	4.000 ea
34GS5003A01	FOAM SLEEVE, ID = 2 1/16" X 4 3/8"	3.000 ea
85XU0407S04	4X1/4 U DRIVE PIN STAINLESS	2.000 ea
SP5051B17	MDL 34 TORQ STAT SW,TYPE LC, STD F1 & F2	1.000 ea
HA3100A44	THRUBOLT 10-32 X 8.000	4.000 ea
MG1000Y03	MUNSELL 2.53Y 6.70/ 4.60, GLOSS 20,	0.014 ga
MN416A01	TAG-INSTAL-MAINT no wire (2100bx)4/22	1.000 ea
LC0001A01	CONN LABEL / WARNING LABEL (LC0001 / LB1	1.000 ea

NP2116L	ALUM SUPER-E UL CSA CC	1.000 ea
35PA1066	PKG GRP, PRINT PK1008A06	1.000 ea

AC Induction Motor Performance Data

Record # 50675

Typical performance - not guaranteed values

Winding: 34WGY788-R004		Type: 3420LC		Enclosure: TEFC	
Nameplate Data			230 V, 60 Hz: High Voltage Connection		
Rated Output (HP)	.33		Full Load Torque	0.489 LB-FT	
Volts	115/208-230		Start Configuration	direct on line	
Full Load Amps	3.2/1.7-1.6		Breakdown Torque	2.5 LB-FT	
R.P.M.	3450		Pull-up Torque	1.4 LB-FT	
Hz	60 Phase	1	Locked-rotor Torque	1.8 LB-FT	
NEMA Design Code	N KVA Code	L	Starting Current	14.5 A	
Service Factor (S.F.)	1.35		No-load Current	0.55 A	
NEMA Nom. Eff.	72 Power Factor	96	Line-line Res. @ 25°C	4.32 Ω A Ph 6.27 Ω B Ph	
Rating - Duty	40C AMB-CONT		Temp. Rise @ Rated Load	33°C	
S.F. Amps	4/2.2-2		Temp. Rise @ S.F. Load	39°C	

Load Characteristics 230 V, 60 Hz, 0.33 HP

% of Rated Load	25	50	75	100	125	150	S.F.
Power Factor	83	88	93	94	93	91	92
Efficiency	41.1	57.6	66.3	70.3	72.5	73	72.7
Speed	3566	3544	3527	3502	3474	3439	3460
Line amperes	0.798	1.06	1.31	1.6	1.94	2.31	2.09

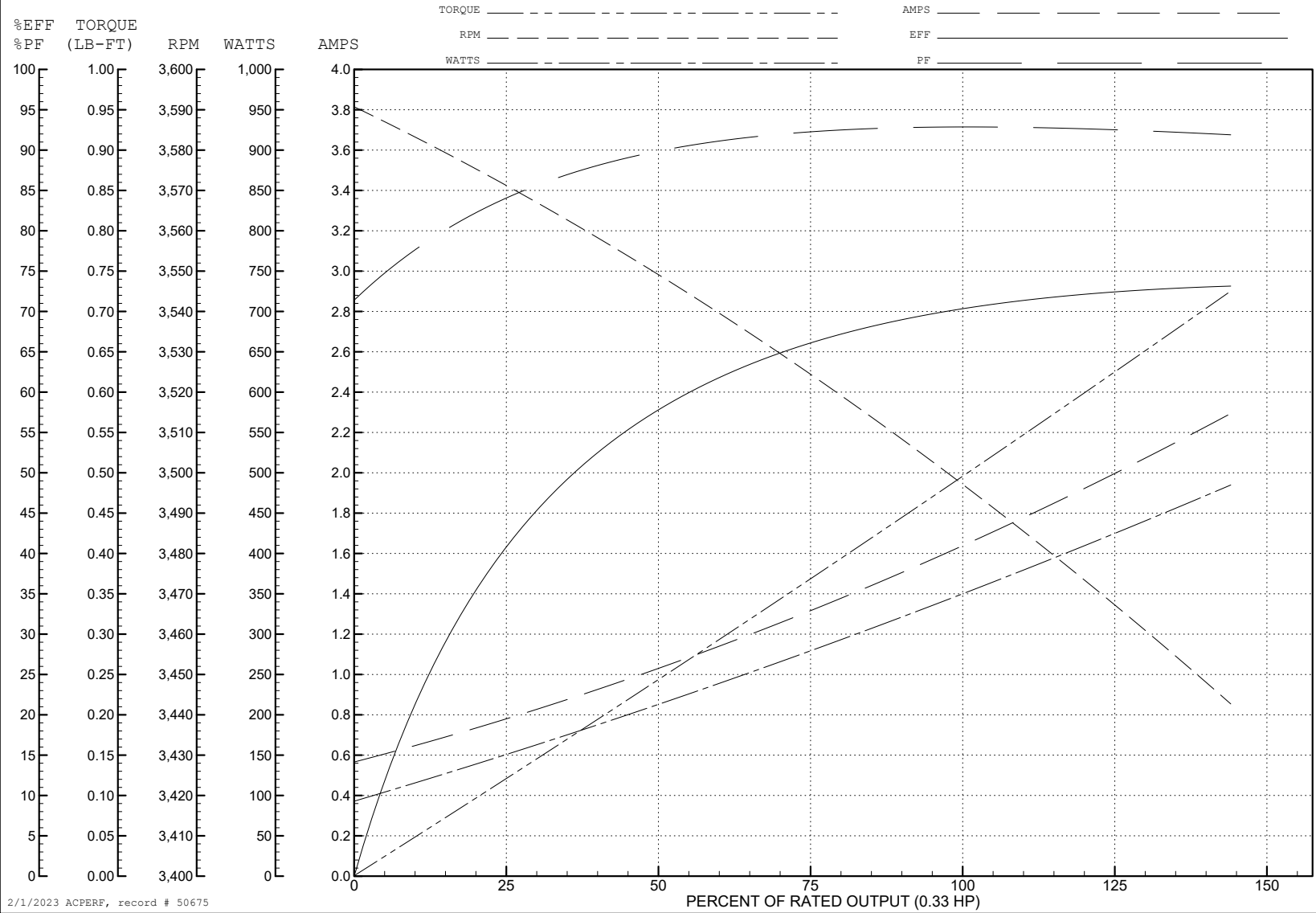
ABB Motors and Mechanical Inc.

WINDING # 34WGY788

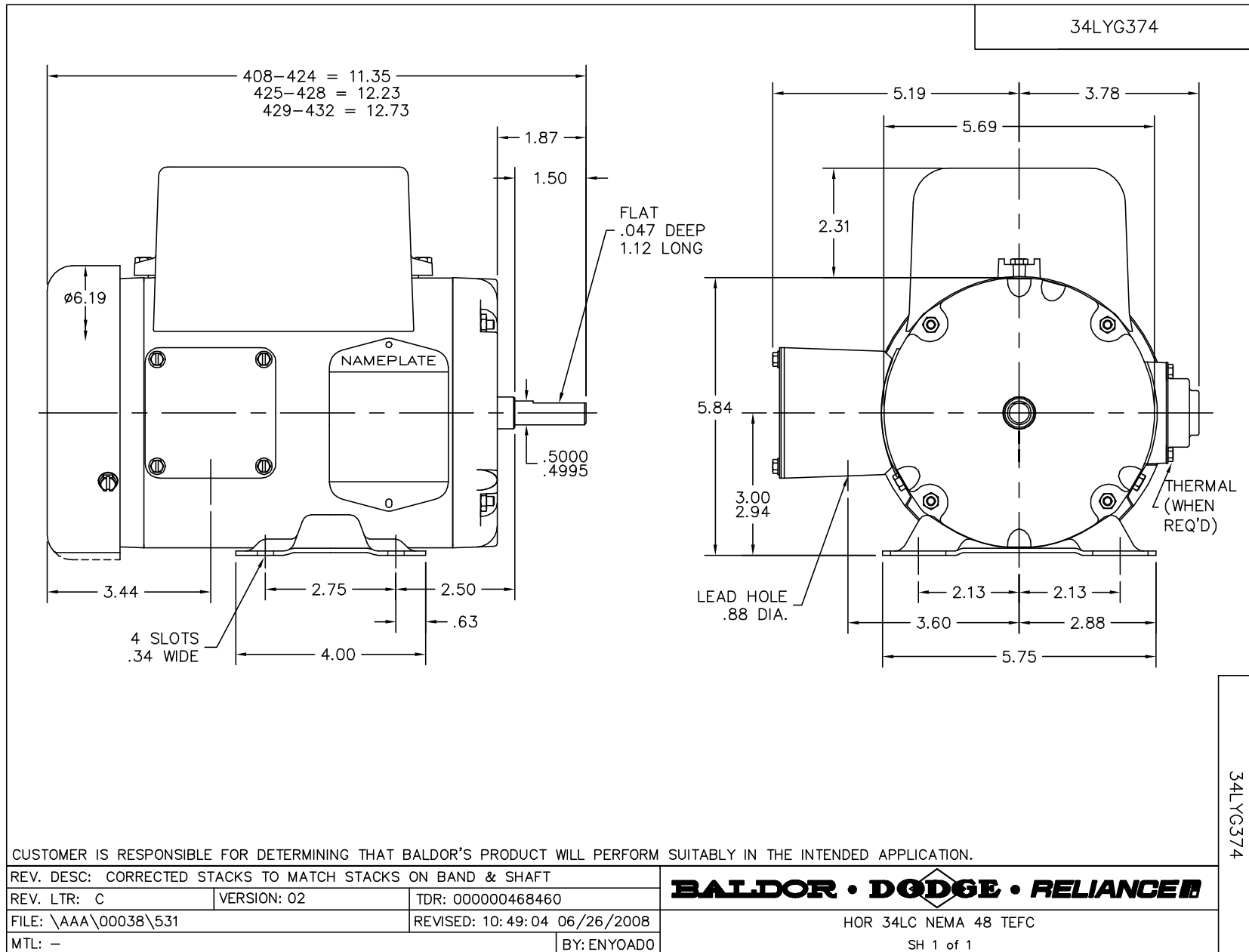
Typical performance - not guaranteed values.

0.33 HP 1 PH 60 HZ 3450 RPM 230 V 3420LC

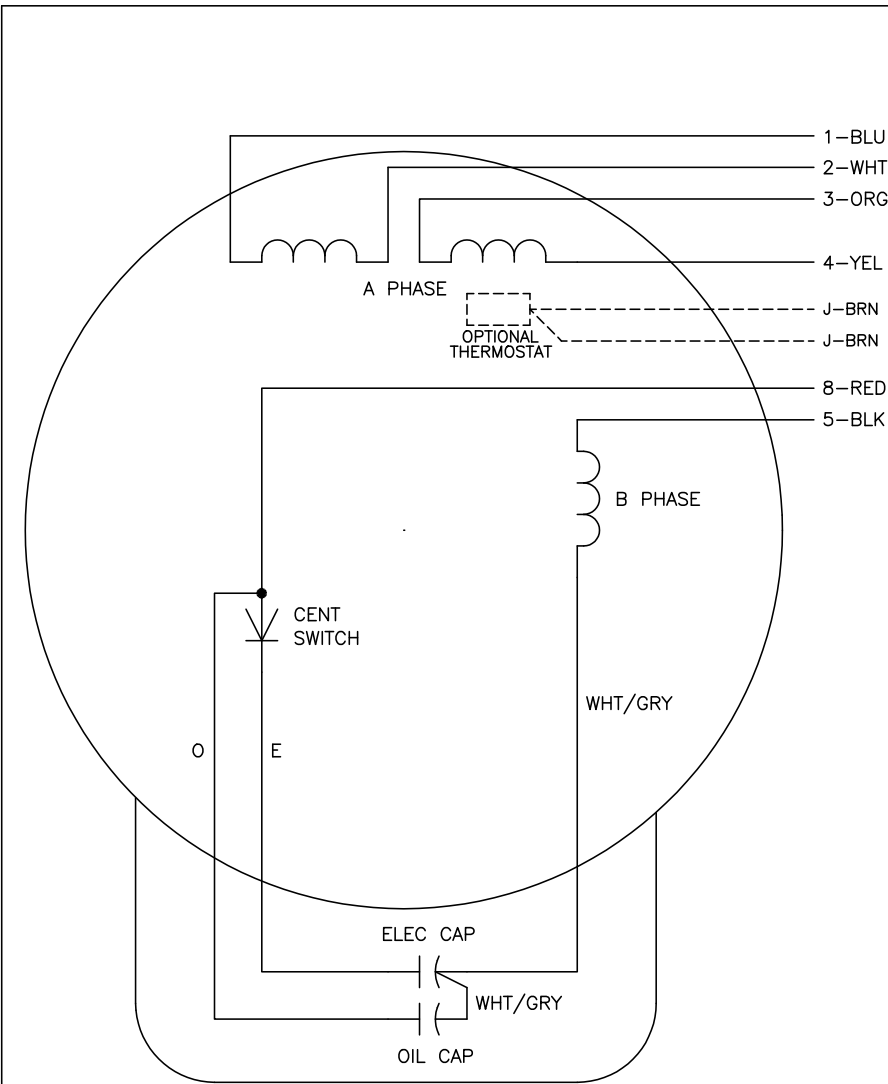
TORQUES (LB-FT): PO=2.5 PU=1.4 LR=1.8 LRA=14.5



2/1/2023 ACPERF, record # 50675



CD0055



	LINE A	LINE B	JOIN
HIGH STD	1	4,5	2,3,8
HIGH OPP	1	4,8	2,3,5
LOW STD	1,3,8	2,4,5	-
LOW OPP	1,3,5	2,4,8	-

NOTES:

1. STANDARD ROTATION IS CCW FACING END OPPOSITE SHAFT EXTENSION.
2. OPTIONAL THERMOSTAT IS PROVIDED WHEN SPECIFIED.
3. MULTIPLE CAPACITORS ARE CONNECTED IN PARALLEL UNLESS OTHERWISE SPECIFIED.
4. LEAD COLORS ARE OPTIONAL. LEADS MUST ALWAYS BE NUMBERED AS SHOWN.

CD0055

REV. DESC: REVISE TO SHOW OPTIONAL COLORS			
REV. LTR: D	BY: JLP	REVISED: 04/08/99 1:17	TDR: 0178636
C00000		FILE: AAA00007414	MDL: -
		MTL: -	

BALDOR ELECTRIC Co.

TYPE LC, DV, REV, 6 LEADS