



Customer information packet

EL3403

.25HP, 1745RPM, 1PH, 60HZ, 48, 3414LC, TEFC, F1

Class - None

Division - Not Applicable

Specifications

| | |
|--------------------------------|--|
| Enclosure | TEFC |
| Frame | 48 |
| Frame Material | Steel |
| Frequency | 60.00 Hz |
| Motor Letter Type | Cap Start, Cap Run |
| Output @ Frequency | .250 HP @ 60 HZ |
| Phase | 1 |
| Synchronous Speed @ Frequency | 1800 RPM @ 60 HZ |
| Voltage @ Frequency | 115.0 V @ 60 HZ 230.0 V @ 60 HZ |
| XP Class and Group | None |
| XP Division | Not Applicable |
| Agency Approvals | CSA EEV CSA UR |
| Ambient Temperature | 40 °C |
| Auxillary Box | No Auxillary Box |
| Auxillary Box Lead Termination | None |
| Base Indicator | Rigid |
| Bearing Grease Type | Polyrex EM (-20F +300F) |
| Blower | None |
| Current @ Voltage | 1.250 A @ 230.0 V 2.500 A @ 115.0 V |
| Design Code | - |
| Drip Cover | No Drip Cover |
| Duty Rating | CONT |
| Efficiency @ 100% Load | 74.0 % |
| Electrically Isolated Bearing | Not Electrically Isolated |
| Feedback Device | NO FEEDBACK |
| Front Face Code | Standard |
| Front Shaft Indicator | None |
| Heater Indicator | No Heater |

Part detail

| | |
|--------------|------------|
| Revision | AD |
| Type | AC |
| Mech. spec. | 34G374 |
| Base | |
| Status | PRD/A |
| Elec. spec. | 34WGW955 |
| Layout | 34LYG374 |
| Eff. date | 04-22-2021 |
| CD Diagram | CD0055 |
| Poles | 04 |
| Leads | 6#18 |
| Proprietary | False |
| Created date | 01-01-0001 |

| | |
|-------------------------------|---------------------|
| High Voltage Full Load Amps | 1.3 a |
| Insulation Class | F |
| Inverter Code | Not Inverter |
| KVA Code | K |
| Lifting Lugs | No Lifting Lugs |
| Locked Bearing Indicator | No Locked Bearing |
| Motor Lead Exit | Ko Box |
| Motor Lead Quantity/Wire Size | 6 @ 18 AWG |
| Motor Lead Termination | Flying Leads |
| Motor Standards | NEMA |
| Motor Type | 3414LC |
| Mounting Arrangement | F1 |
| Number of Poles | 4 |
| Overall Length | 11.35 IN |
| Power Factor | 89 |
| Product Family | General Purpose |
| Pulley End Bearing Type | Ball |
| Pulley Face Code | Standard |
| Pulley Shaft Indicator | Standard |
| Rodent Screen | None |
| RoHS Status | ROHS COMPLIANT |
| Service Factor | 1.35 |
| Shaft Diameter | 0.500 IN |
| Shaft Extension Location | Pulley End |
| Shaft Ground Indicator | No Shaft Grounding |
| Shaft Rotation | Reversible |
| Shaft Slinger Indicator | No Slinger |
| Speed | 1745 rpm |
| Speed Code | Single Speed |
| Starting Method | Direct on line |
| Thermal Device - Bearing | None |
| Thermal Device - Winding | None |
| Vibration Sensor Indicator | No Vibration Sensor |
| Winding Thermal 1 | None |

Winding Thermal 2

None

Nameplate

| NP2116L | | | | | | | | | |
|---------------------|--------------|-------------|------|-----------------------|----|-----------|-----------|---|--|
| CAT.NO. | EL3403 | | | | | | | | |
| SPEC. | 34G374W955G1 | | | | | | | | |
| HP | .25 | | | | | | | | |
| VOLTS | 115/230 | | | | | | | | |
| AMP | 2.5/1.25 | | | | | | | | |
| RPM | 1745 | | | | | | | | |
| FRAME | 48 | | | HZ | 60 | | PH | 1 | |
| SER.F. | 1.35 | CODE | K | DES | - | CL | F | | |
| NEMA-NOM-EFF | 74 | PF | 89 | | | | | | |
| RATING | 40C AMB-CONT | | | | | | | | |
| CC | | | | USABLE AT 208V | | | | | |
| DE | 6203 | ODE | 6203 | | | | | | |
| ENCL | TEFC | SN | | | | | | | |
| | SFA 3.2/1.6 | | | | | | | | |

Parts list

| Part number | Description | Quantity |
|---------------|--|----------|
| SA006943 | SA 34G374W955G1 | 1.000 ea |
| RA003390 | RA 34G374W955G1 | 1.000 ea |
| OC3015F12SP | CYL OIL CAP 15MFD/370V | 1.000 ea |
| EC1108A01 | ELEC CAP, 108-130 MFD, 125V, 1.48D X 2. | 1.000 ea |
| NS2512A01 | INSULATOR, CONDUIT BOX X | 1.000 ea |
| 34CB3002A | CB CAST W/.88 DIA HOLE | 1.000 ea |
| 34GS1029A01 | GASKET, CONDUIT BOX | 1.000 ea |
| 51XB1016A07 | 10-16 X 7/16 HXWSSLD SERTYB | 2.000 ea |
| 11XW1032G06 | 10-32 X .38, TAPTITE II, HEX WSHR SLTD U | 1.000 ea |
| 51XW0832A07 | 8-32 X .44, TAPTITE II, HEX WSHR SLTD SE | 2.000 ea |
| 34EP3102A01SP | FR ENDPLATE, MACH | 1.000 ea |
| 34CB3801 | CAPACITOR BOX, DIE CAST | 1.000 ea |
| 34GS3002 | GASKET, CAPACITOR BOX | 1.000 ea |
| NS2501A02 | INSULATOR, CAPACITOR BOX | 1.000 ea |
| 51XB1214A08 | 12-14 X 1/2HX WS SL SR TYBX | 2.000 ea |
| HW5100A03 | WAVY WASHER (W1543-017) | 1.000 ea |
| 34EP3102A02SP | FR/PU ENDPLATE, MACH | 1.000 ea |
| XY1032A02 | 10-32 HEX NUT DIRECTIONAL SERRATION | 4.000 ea |
| 34FN3002A01SP | EXTERNAL FAN, PLASTIC, .637/.639 HUB W/ | 1.000 ea |
| 34FH4002A01SP | IEC FH NO GREASER PRIMED | 1.000 ea |
| 51XW1032A06 | 10-32 X .38, TAPTITE II, HEX WSHR SLTD S | 3.000 ea |
| 34CB4517 | CB LID 4 MTG HOLES .22 DIA STAMPED, FOR | 1.000 ea |
| 34GS1031A01 | GASKET, FLAT CONDUIT BOX LID (LEXIDE) | 1.000 ea |
| 51XW0832A07 | 8-32 X .44, TAPTITE II, HEX WSHR SLTD SE | 4.000 ea |
| 34GS5003A01 | FOAM SLEEVE, ID = 2 1/16" X 4 3/8" | 3.000 ea |
| 85XU0407S04 | 4X1/4 U DRIVE PIN STAINLESS | 2.000 ea |
| SP5051B17 | MDL 34 TORQ STAT SW,TYPE LC, STD F1 & F2 | 1.000 ea |
| HA3100A44 | THRUBOLT 10-32 X 8.000 | 4.000 ea |
| MG1000Y03 | MUNSELL 2.53Y 6.70/ 4.60, GLOSS 20, | 0.014 ga |
| MN416A01 | TAG-INSTAL-MAINT no wire (2100bx)4/22 | 1.000 ea |
| LC0001A01 | CONN LABEL / WARNING LABEL (LC0001 / LB1 | 1.000 ea |

| | | |
|----------|--------------------------|----------|
| NP2116L | ALUM SUPER-E UL CSA CC | 1.000 ea |
| 35PA1066 | PKG GRP, PRINT PK1008A06 | 1.000 ea |

Accessories

| Part number | Description | Multiplier |
|--------------------|--------------------|-------------------|
| 34-3900T | C-FACE KIT | A8 |

AC Induction Motor Performance Data

Record # 20831

Typical performance - not guaranteed values

| Winding: 34WGW955-R002 | | Type: 3414LC | Enclosure: TEFC | |
|------------------------|-----------------|-------------------------|--|--|
| Nameplate Data | | | 230 V, 60 Hz: High Voltage Connection | |
| Rated Output (HP) | .25 | Full Load Torque | 0.75 LB-FT | |
| Volts | 115/230 | Start Configuration | direct on line | |
| Full Load Amps | 2.5/1.25 | Breakdown Torque | 1.9 LB-FT | |
| R.P.M. | 1745 | Pull-up Torque | 1.7 LB-FT | |
| Hz | 60 Phase | Locked-rotor Torque | 2.4 LB-FT | |
| NEMA Design Code | - KVA Code | Starting Current | 9.1 A | |
| Service Factor (S.F.) | 1.35 | No-load Current | 0.7 A | |
| NEMA Nom. Eff. | 74 Power Factor | Line-line Res. @ 25°C | 10.04 Ω A Ph 7.87 Ω B Ph | |
| Rating - Duty | 40C AMB-CONT | Temp. Rise @ Rated Load | 27°C | |
| S.F. Amps | 3.2/1.6 | Temp. Rise @ S.F. Load | 34°C | |

Load Characteristics 230 V, 60 Hz, 0.25 HP

| % of Rated Load | 25 | 50 | 75 | 100 | 125 | 150 | S.F. |
|-----------------|------|------|------|------|------|------|------|
| Power Factor | 64 | 77 | 83 | 87 | 89 | 91 | 90 |
| Efficiency | 45.7 | 62.4 | 69.5 | 73.5 | 74.7 | 74.2 | 75.2 |
| Speed | 1786 | 1775 | 1763 | 1749 | 1732 | 1712 | 1725 |
| Line amperes | 0.7 | 0.9 | 1.1 | 1.3 | 1.5 | 1.8 | 1.6 |

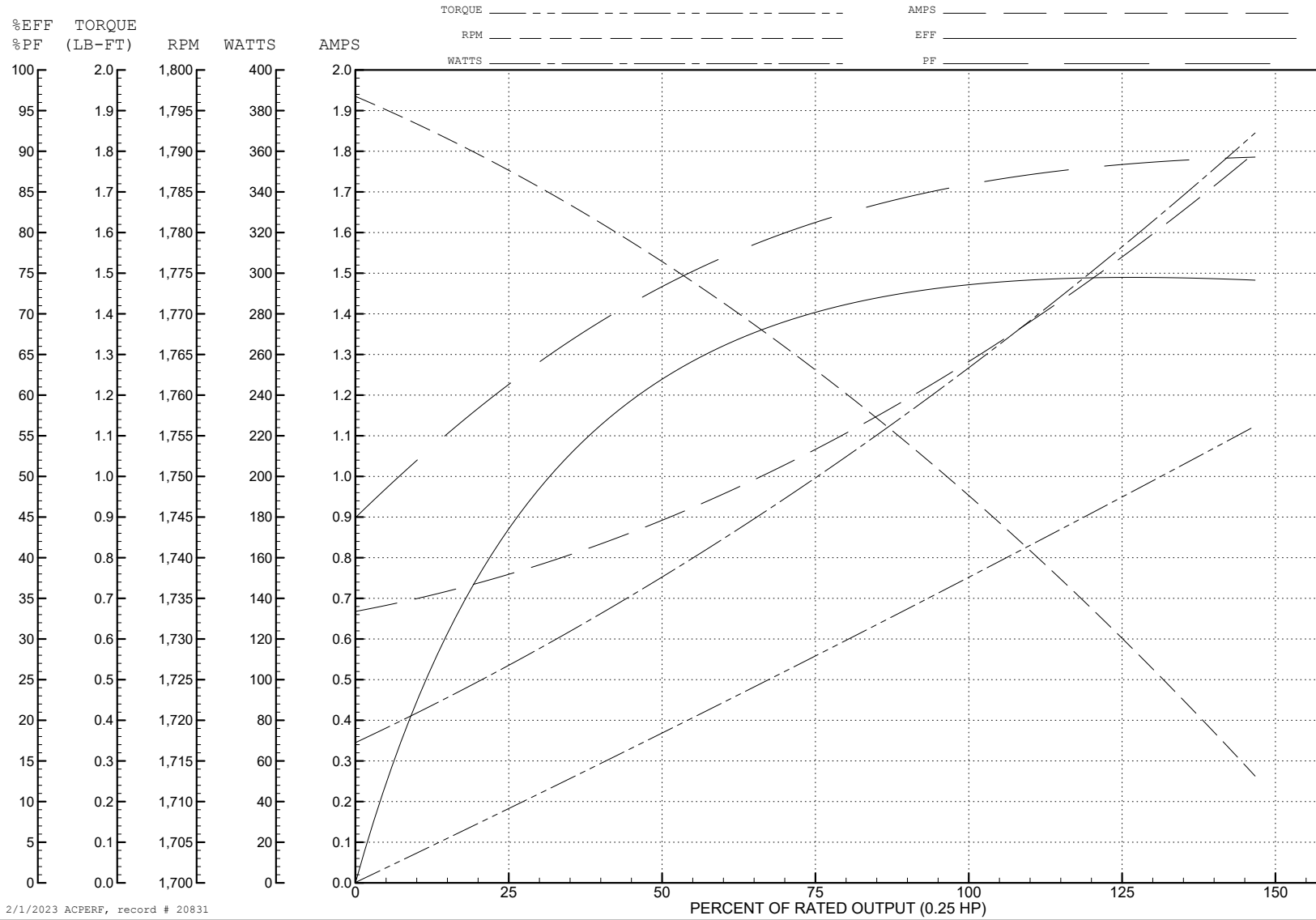
ABB Motors and Mechanical Inc.

WINDING # 34WGW955

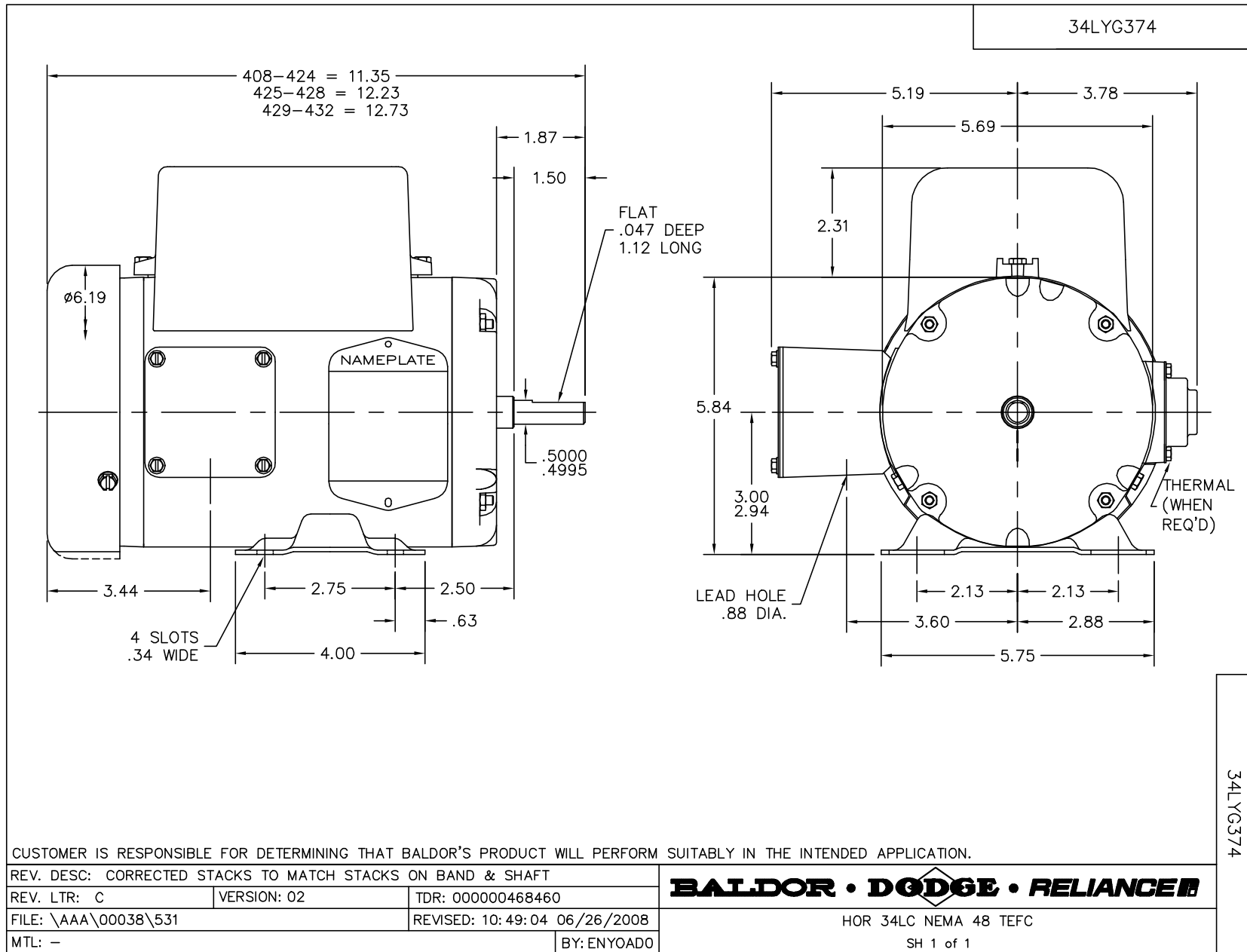
0.25 HP 1 PH 60 HZ 1745 RPM 230 V 3414LC

Typical performance - not guaranteed values.

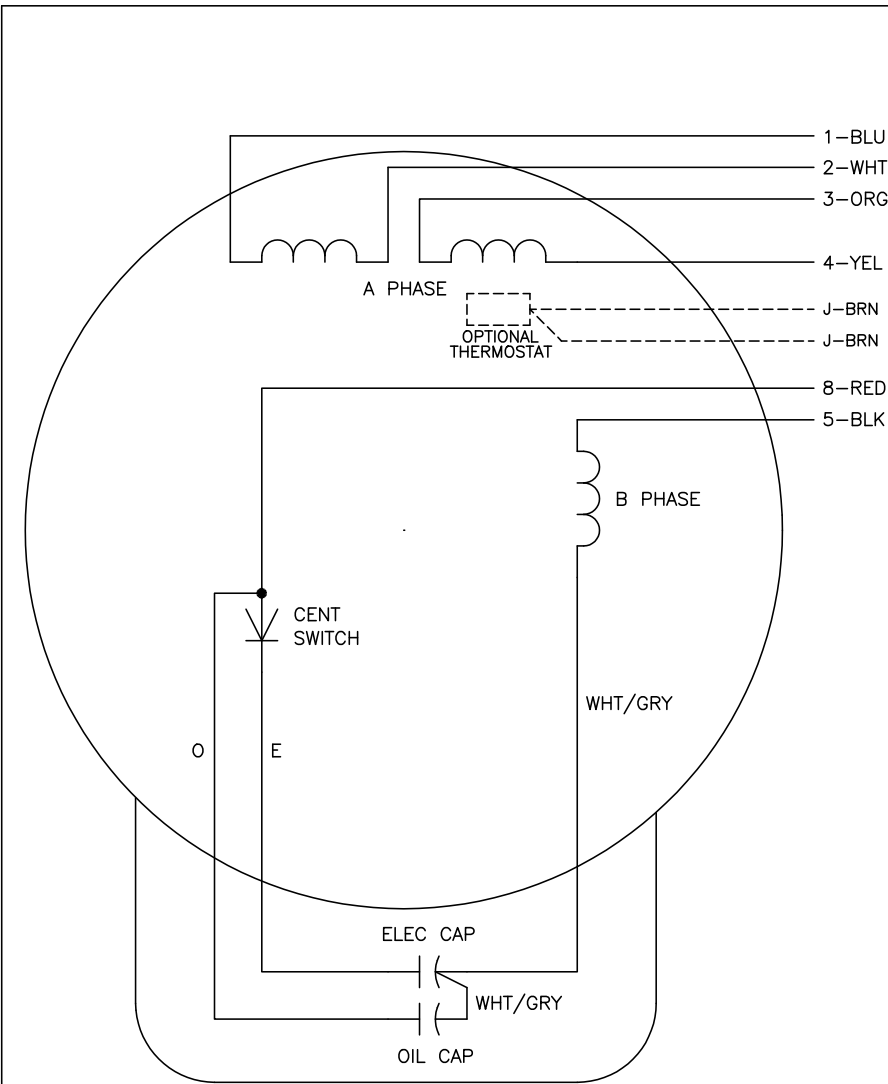
TORQUES (LB-FT): PO=1.9 PU=1.7 LR=2.4 LRA=9.1



2/1/2023 ACPERF, record # 20831



CD0055



| | LINE A | LINE B | JOIN |
|----------|--------|--------|-------|
| HIGH STD | 1 | 4,5 | 2,3,8 |
| HIGH OPP | 1 | 4,8 | 2,3,5 |
| LOW STD | 1,3,8 | 2,4,5 | - |
| LOW OPP | 1,3,5 | 2,4,8 | - |

NOTES:

1. STANDARD ROTATION IS CCW FACING END OPPOSITE SHAFT EXTENSION.
2. OPTIONAL THERMOSTAT IS PROVIDED WHEN SPECIFIED.
3. MULTIPLE CAPACITORS ARE CONNECTED IN PARALLEL UNLESS OTHERWISE SPECIFIED.
4. LEAD COLORS ARE OPTIONAL. LEADS MUST ALWAYS BE NUMBERED AS SHOWN.

| | | | |
|---|---------|------------------------|--------------|
| REV. DESC: REVISE TO SHOW OPTIONAL COLORS | | | |
| REV. LTR: D | BY: JLP | REVISED: 04/08/99 1:17 | TDR: 0178636 |
| C00000 | | FILE: AAA00007414 | MDL: - |
| | | MTL: - | |

BALDOR ELECTRIC Co.

TYPE LC, DV, REV, 6 LEADS

CD0055