

BALDOR® • RELIANCE 

Product Information Packet

EL11303

.5HP,3450RPM,1PH,60HZ,56,3413LC,ODP,F1,N

Part Detail							
Revision:	F	Status:	PRD/A	Change #:		Proprietary:	No
Type:	AC	Elec. Spec:	34WGR142	CD Diagram:	CD0055	Mfg Plant:	
Mech. Spec:	34F353	Layout:	34LYF353	Poles:	02	Created Date:	03-04-2014
Base:	RG	Eff. Date:	04-22-2021	Leads:	6#18		

Specs			
Catalog Number:	EL11303	Inverter Code:	Not Inverter
Enclosure:	ODP	KVA Code:	L
Frame:	56	Lifting Lugs:	No Lifting Lugs
Frame Material:	Steel	Locked Bearing Indicator:	No Locked Bearing
Motor Letter Type:	Cap Start, Cap Run	Motor Lead Quantity/Wire Size:	6 @ 18 AWG
Output @ Frequency:	.500 HP @ 60 HZ	Motor Lead Exit:	Ko Box
Synchronous Speed @ Frequency:	3600 RPM @ 60 HZ	Motor Lead Termination:	Flying Leads
Voltage @ Frequency:	115.0 V @ 60 HZ	Motor Type:	3413LC
	230.0 V @ 60 HZ	Mounting Arrangement:	F1
XP Class and Group:	None	Power Factor:	91
XP Division:	Not Applicable	Product Family:	General Purpose
Agency Approvals:	C UR US ENERGY	Pulley End Bearing Type:	Ball
Auxillary Box:	No Auxillary Box	Pulley Face Code:	Standard
Auxillary Box Lead Termination:	None	Pulley Shaft Indicator:	Standard
Base Indicator:	Rigid	Rodent Screen:	None
Bearing Grease Type:	Polyrex EM (-20F +300F)	RoHS Status:	ROHS COMPLIANT
Blower:	None	Shaft Extension Location:	Pulley End
Current @ Voltage:	2.500 A @ 230.0 V	Shaft Ground Indicator:	No Shaft Grounding

	4.900 A @ 115.0 V	Shaft Rotation:	Reversible
Design Code:	N	Shaft Slinger Indicator:	No Slinger
Drip Cover:	No Drip Cover	Speed Code:	Single Speed
Duty Rating:	CONT	Motor Standards:	NEMA
Electrically Isolated Bearing:	Not Electrically Isolated	Starting Method:	Direct on line
Feedback Device:	NO FEEDBACK	Thermal Device - Bearing:	None
Front Face Code:	Standard	Thermal Device - Winding:	None
Front Shaft Indicator:	None	Vibration Sensor Indicator:	No Vibration Sensor
Heater Indicator:	No Heater	Winding Thermal 1:	None
Insulation Class:	F	Winding Thermal 2:	None

Nameplate NP3155L										
CAT.NO.	EL11303									
SPEC.	34F353R142G1									
HP	.5									
VOLTS	115/230									
AMP	4.9/2.5									
RPM	3450									
FRAME	56				HZ	60			PH	1
SER.F.	1.25		CODE	L	DES	N		CL	F	
F.L. AVG. EFF.	72.4		PF	91						
RATING	40C AMB-CONT									
CC									USABLE AT 208V	
DE	6203				ODE	6203				
ENCL	ODP		SN							
	SFA 5.8/2.9									

Parts List		
Part Number	Description	Quantity
SA277758	SA 34F353R142G1	1.000 EA
RA264306	RA 34F353R142G1	1.000 EA
OC3025F11	CYL OIL CAP 25MFD/370V	1.000 EA
EC1400A03	ELEC CAP, 400-480 MFD, 125V, 1.81D X 3.	1.000 EA
NS2512A01	INSULATOR, CONDUIT BOX X	1.000 EA
34CB3002A	CB CAST W/.88 DIA HOLE	1.000 EA
51XB1016A07	10-16 X 7/16 HXWSSLD SERTYB	2.000 EA
11XW1032G06	10-32 X .38, TAPTITE II, HEX WSHR SLTD U	1.000 EA
51XW0832A07	8-32 X .44, TAPTITE II, HEX WSHR SLTD SE	2.000 EA
SP1006A01	INSULATOR MODEL 35 SWITCH	1.000 EA
34EP3210A01SP	FR ENDPLATE, MACH	1.000 EA
34CB3801	CAPACITOR BOX, DIE CAST	1.000 EA
51XB1214A08	12-14 X 1/2HX WS SL SR TYBX	2.000 EA
34GS5003A01	FOAM SLEEVE, ID = 2 1/16" X 4 3/8"	1.000 EA
HW5100A03	WAVY WASHER (W1543-017)	1.000 EA
34EP3212A02	PU ENDPLATE, MODEL 34 OPEN	1.000 EA
XY1032A02	10-32 HEX NUT DIRECTIONAL SERRATION	4.000 EA
34CB4517	CB LID 4 MTG HOLES .22 DIA STAMPED, FOR	1.000 EA
51XW0832A07	8-32 X .44, TAPTITE II, HEX WSHR SLTD SE	4.000 EA
HW2501D13	KEY, 3/16 SQ X 1.375	1.000 EA
HA7000A04	KEY RETAINER 0.625 DIA SHAFTS	1.000 EA
85XU0407S04	4X1/4 U DRIVE PIN STAINLESS	2.000 EA
SP5051B17	MDL 34 TORQ STAT SW,TYPE LC, STD F1 & F2	1.000 EA
HA3100A44	THRUBOLT 10-32 X 8.000	4.000 EA

Parts List (continued)		
Part Number	Description	Quantity
MG1000Y03	MUNSELL 2.53Y 6.70/ 4.60, GLOSS 20,	0.014 GA
MN416A01	TAG-INSTAL-MAINT no wire (2200bx) 4/22	1.000 EA
LC0001A01	CONN LABEL / WARNING LABEL (LC0001 / LB1	1.000 EA
NP3155L	ALUM SUPER-E UL CSA CC "SEMS"	1.000 EA
35PA1066	PKG GRP, PRINT PK1008A06	1.000 EA

AC Induction Motor Performance Data

Record # 49329

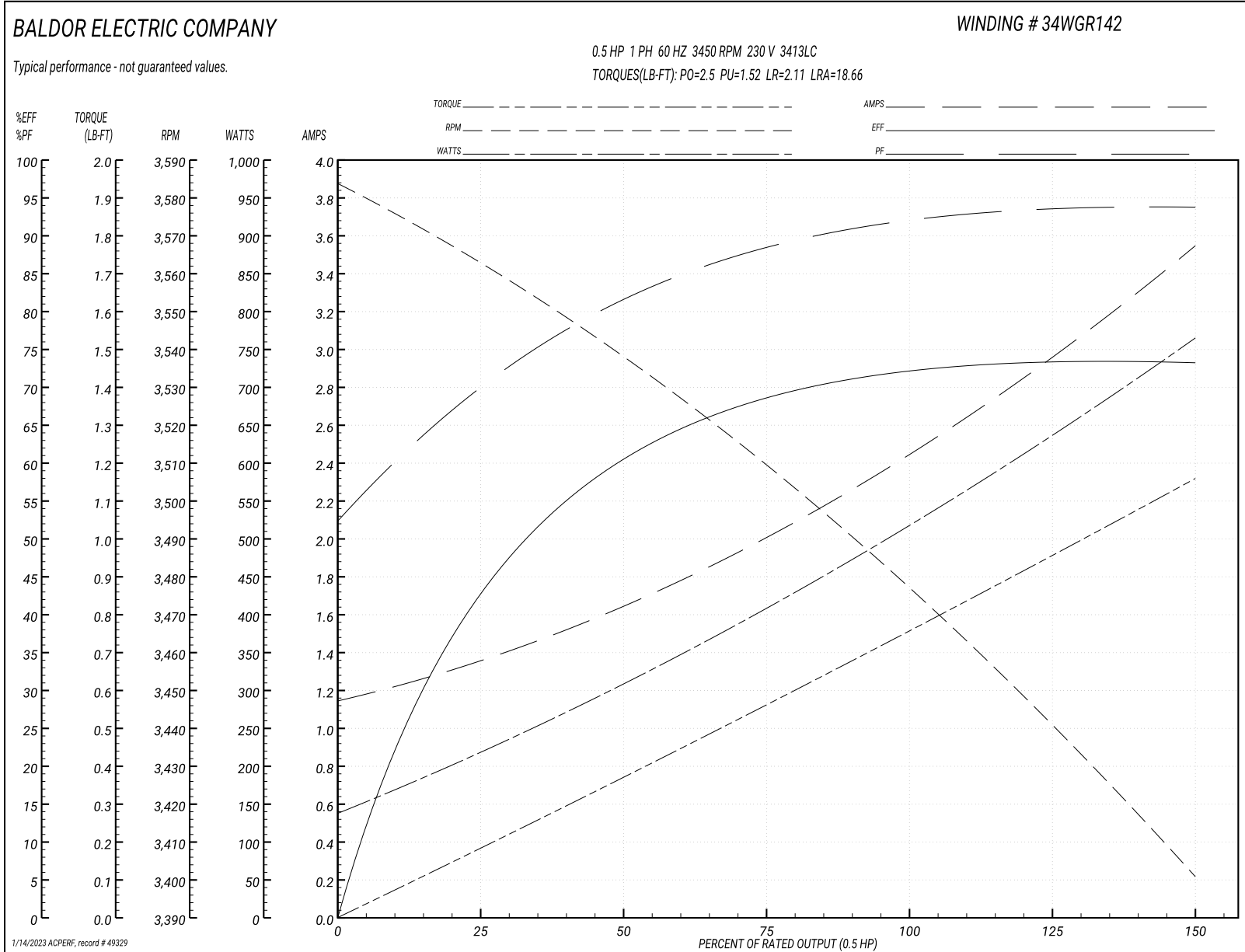
Typical performance - not guaranteed values

Winding: 34WGR142-R001			Type: 3413LC		Enclosure: OPEN	
Nameplate Data				230 V, 60 Hz: High Voltage Connection		
Rated Output (HP)	.5		Full Load Torque	0.755 LB-FT		
Volts	115/230		Start Configuration	direct on line		
Full Load Amps	4.9/2.5		Breakdown Torque	2.5 LB-FT		
R.P.M.	3450		Pull-up Torque	1.52 LB-FT		
Hz	60	Phase	1	Locked-rotor Torque	2.11 LB-FT	
NEMA Design Code	N	KVA Code	L	Starting Current	18.66 A	
Service Factor (S.F.)	1.25		No-load Current	1.15 A		
NEMA Nom. Eff.	72.4	Power Factor	91	Line-line Res. @ 25°C	4.36 Ω A Ph 4.65 Ω B Ph	
Rating - Duty	40C AMB-CONT		Temp. Rise @ Rated Load	21°C		
S.F. Amps	5.8/2.9		Temp. Rise @ S.F. Load	25°C		
				Rotor inertia	0.0121 LB-FT ²	

Load Characteristics 230 V, 60 Hz, 0.5 HP

% of Rated Load	25	50	75	100	125	150	S.F.
Power Factor	71	83	88	92	93	94	93
Efficiency	42.3	58.9	69.5	73.2	72.8	73.3	72.8
Speed	3562	3535	3512	3481	3436	3402	3436
Line amperes	1.34	1.67	1.99	2.42	3.01	3.53	3.01

Performance Graph at 230V, 60Hz, 0.5HP Typical performance - Not guaranteed values



AC Induction Motor Performance Data

Record # 49398

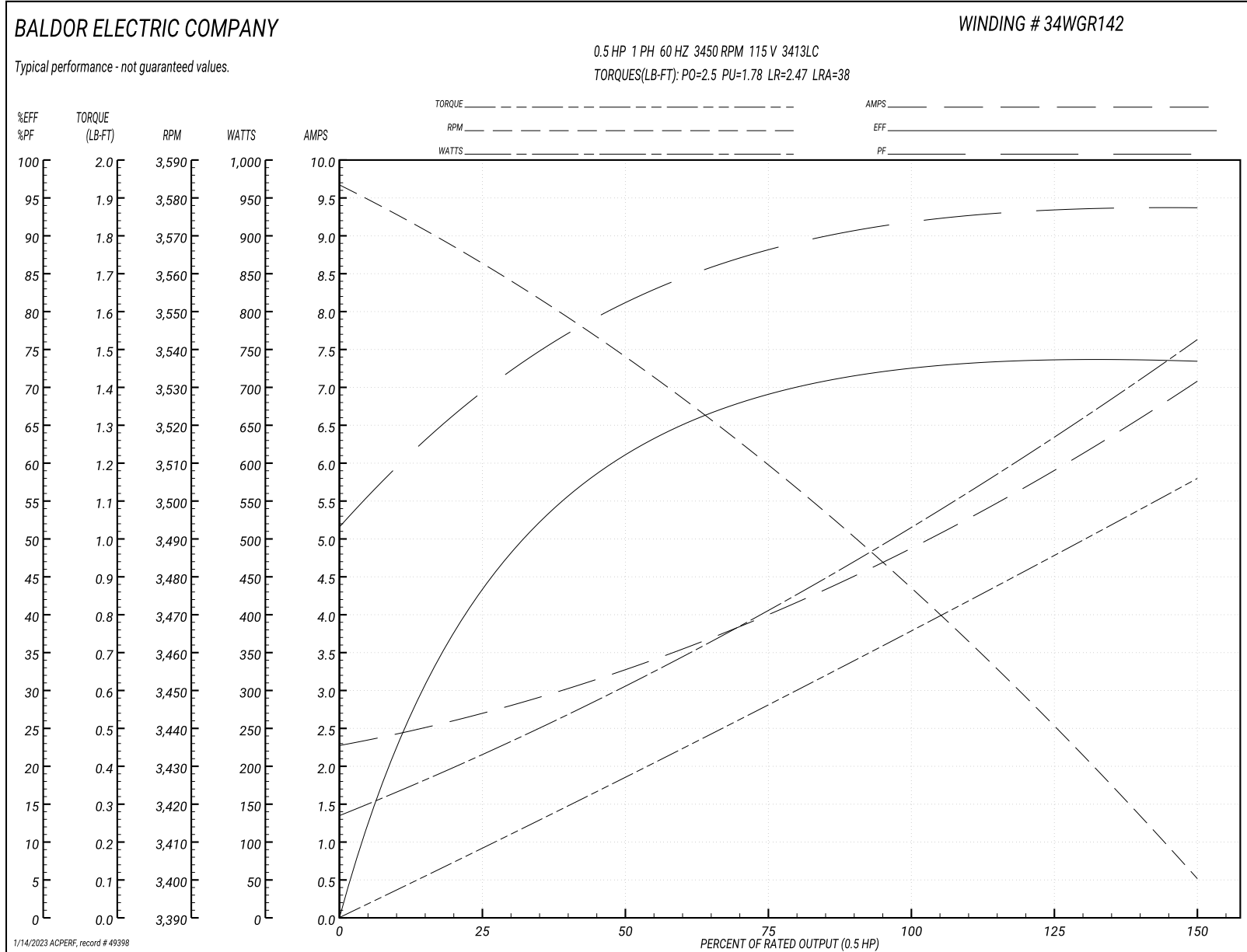
Typical performance - not guaranteed values

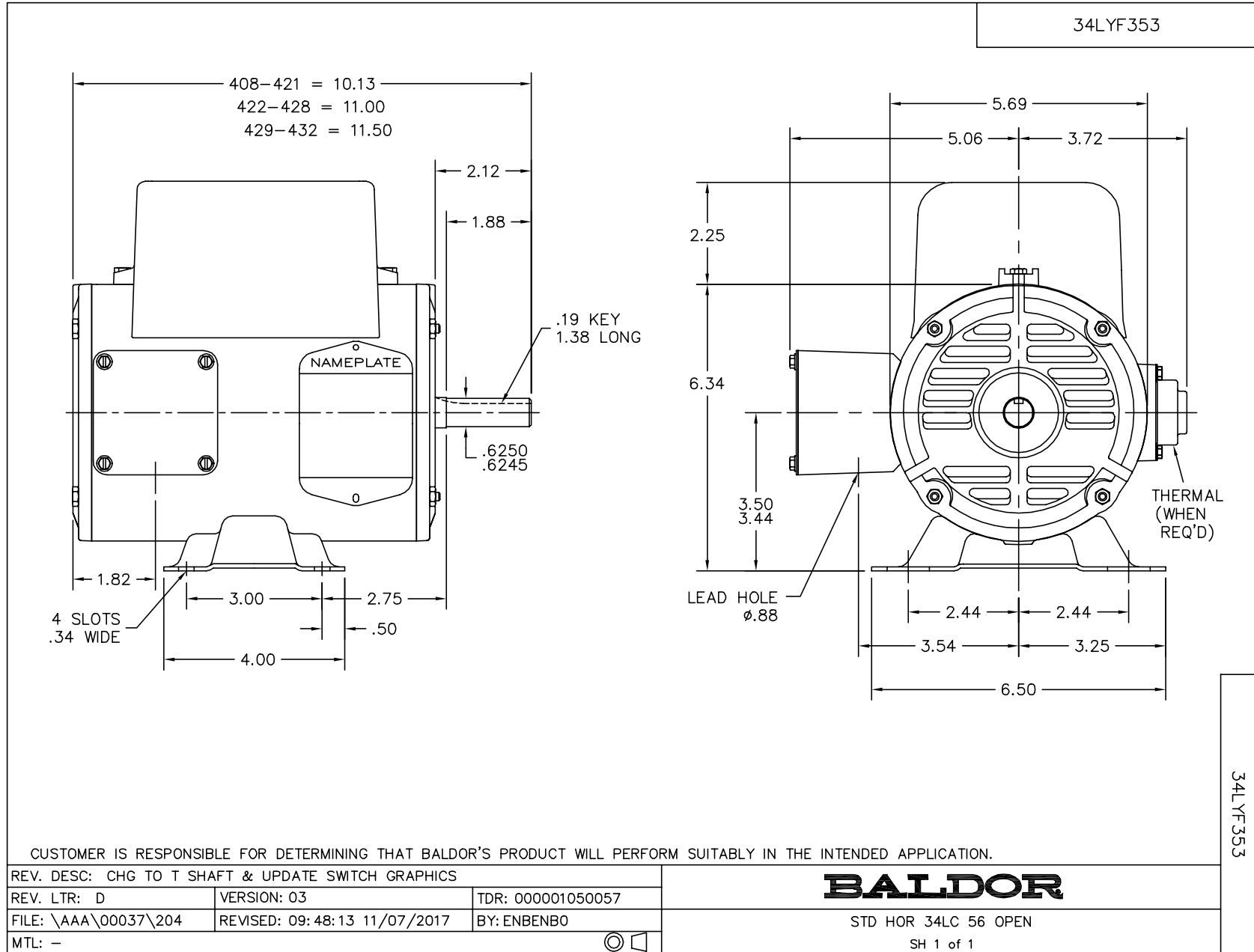
Winding: 34WGR142-R001			Type: 3413LC		Enclosure: OPEN	
Nameplate Data				115 V, 60 Hz: Low Voltage Connection		
Rated Output (HP)	.5		Full Load Torque	0.755 LB-FT		
Volts	115/230		Start Configuration	direct on line		
Full Load Amps	4.9/2.5		Breakdown Torque	2.5 LB-FT		
R.P.M.	3450		Pull-up Torque	1.78 LB-FT		
Hz	60	Phase	1	Locked-rotor Torque	2.47 LB-FT	
NEMA Design Code	N	KVA Code	L	Starting Current	38 A	
Service Factor (S.F.)	1.25		No-load Current	2.28 A		
NEMA Nom. Eff.	72.4	Power Factor	91	Line-line Res. @ 25°C	1.1337 Ω A Ph 4.8491 Ω B Ph	
Rating - Duty	40C AMB-CONT		Temp. Rise @ Rated Load	21°C		
S.F. Amps	5.8/2.9		Temp. Rise @ S.F. Load	27°C		

Load Characteristics 115 V, 60 Hz, 0.5 HP

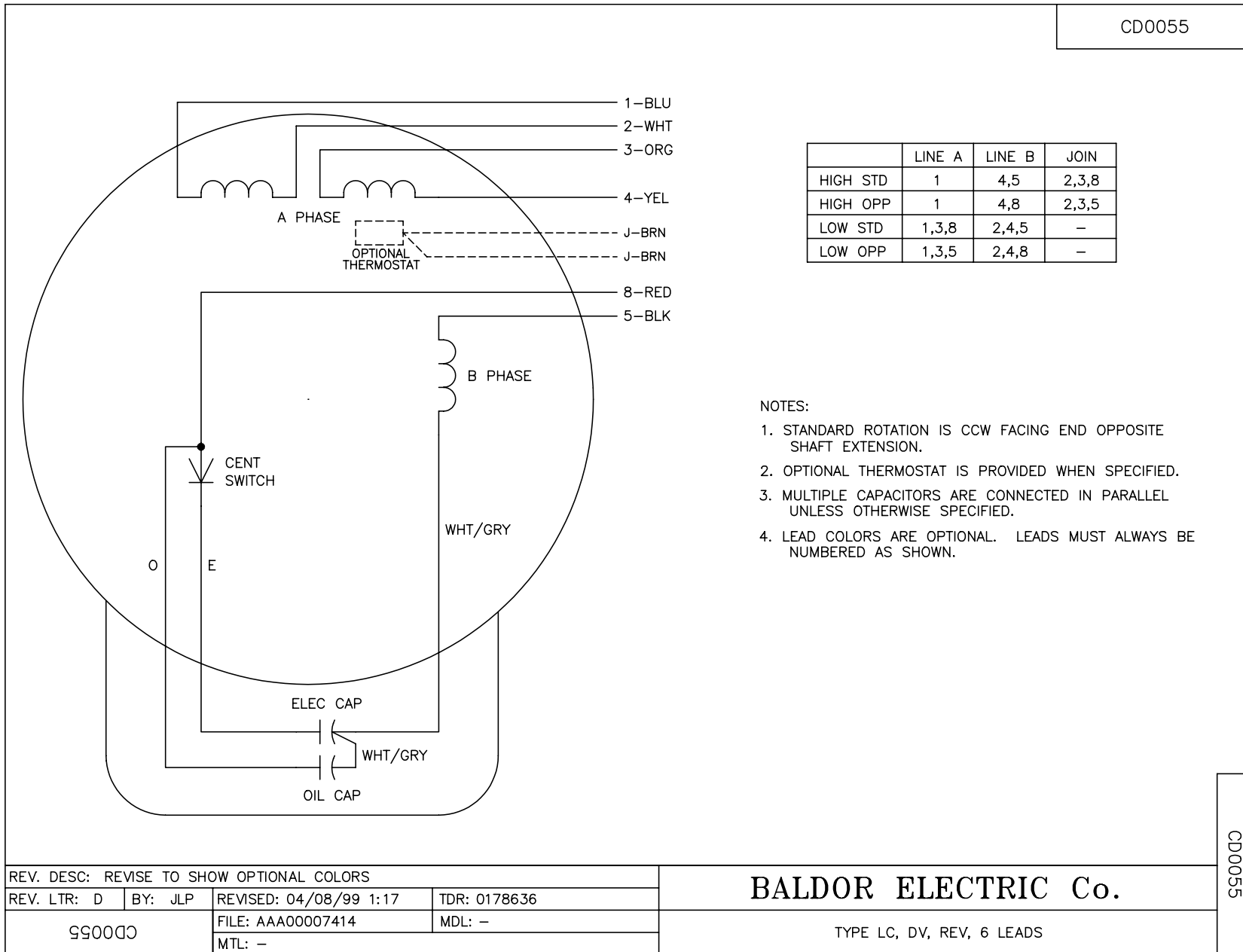
% of Rated Load	25	50	75	100	125	150	S.F.
Power Factor	70	82	88	91	93	94	93
Efficiency	42.8	59.4	69.9	73.5	73	73.2	73
Speed	3561.5	3535	3512.3	3480.9	3435.5	3401.6	3436
Line amperes	2.67	3.33	3.96	4.83	6	7.05	6

Performance Graph at 115V, 60Hz, 0.5HP Typical performance - Not guaranteed values





CD0055



NOTES:

1. STANDARD ROTATION IS CCW FACING END OPPOSITE SHAFT EXTENSION.
2. OPTIONAL THERMOSTAT IS PROVIDED WHEN SPECIFIED.
3. MULTIPLE CAPACITORS ARE CONNECTED IN PARALLEL UNLESS OTHERWISE SPECIFIED.
4. LEAD COLORS ARE OPTIONAL. LEADS MUST ALWAYS BE NUMBERED AS SHOWN.

REV. DESC: REVISE TO SHOW OPTIONAL COLORS			
REV. LTR: D	BY: JLP	REVISED: 04/08/99 1:17	TDR: 0178636
99000		FILE: AAA00007414	MDL: -
		MTL: -	

BALDOR ELECTRIC Co.

TYPE LC, DV, REV, 6 LEADS

CD0055