

BALDOR® • RELIANCE 

Product Information Packet

EL11301

.33HP,1740RPM,1PH,60HZ,56,3418LC,ODP,F1

Part Detail							
Revision:	K	Status:	PRD/A	Change #:		Proprietary:	No
Type:	AC	Elec. Spec:	34WGW954	CD Diagram:	CD0055	Mfg Plant:	
Mech. Spec:	34F353	Layout:	34LYF353	Poles:	04	Created Date:	03-11-2014
Base:	RG	Eff. Date:	02-19-2022	Leads:	6#18		

Specs			
Catalog Number:	EL11301	Insulation Class:	F
Enclosure:	ODP	Inverter Code:	Not Inverter
Frame:	56	KVA Code:	K
Frame Material:	Steel	Lifting Lugs:	No Lifting Lugs
Motor Letter Type:	Cap Start, Cap Run	Locked Bearing Indicator:	No Locked Bearing
Output @ Frequency:	.330 HP @ 60 HZ	Motor Lead Quantity/Wire Size:	6 @ 18 AWG
Synchronous Speed @ Frequency:	1800 RPM @ 60 HZ	Motor Lead Exit:	Ko Box
Voltage @ Frequency:	115.0 V @ 60 HZ	Motor Lead Termination:	Flying Leads
	230.0 V @ 60 HZ	Motor Type:	3418LC
XP Class and Group:	None	Mounting Arrangement:	F1
XP Division:	Not Applicable	Power Factor:	85
Agency Approvals:	C UR US ENERGY	Product Family:	General Purpose
Auxillary Box:	No Auxillary Box	Pulley End Bearing Type:	Ball
Auxillary Box Lead Termination:	None	Pulley Face Code:	Standard
Base Indicator:	Rigid	Pulley Shaft Indicator:	Standard
Bearing Grease Type:	Polyrex EM (-20F +300F)	Rodent Screen:	None
Blower:	None	RoHS Status:	ROHS COMPLIANT
Current @ Voltage:	1.700 A @ 230.0 V	Shaft Extension Location:	Pulley End

	2.500 A @ 208.0 V	Shaft Ground Indicator:	No Shaft Grounding
	3.400 A @ 115.0 V	Shaft Rotation:	Reversible
Design Code:	N	Shaft Slinger Indicator:	No Slinger
Drip Cover:	No Drip Cover	Speed Code:	Single Speed
Duty Rating:	CONT	Motor Standards:	NEMA
Electrically Isolated Bearing:	Not Electrically Isolated	Starting Method:	Direct on line
Feedback Device:	NO FEEDBACK	Thermal Device - Bearing:	None
Front Face Code:	Standard	Thermal Device - Winding:	None
Front Shaft Indicator:	None	Vibration Sensor Indicator:	No Vibration Sensor
Heater Indicator:	No Heater	Winding Thermal 1:	None
		Winding Thermal 2:	None

Nameplate NP3155L												
CAT.NO.	EL11301											
SPEC.	34F353W954G2											
HP	.33											
VOLTS	115/230											
AMP	3.4/1.7											
RPM	1740											
FRAME	56					HZ	60			PH	1	
SER.F.	1.35					CODE	K		DES	N	CL	F
F.L. AVG. EFF.	72.4					PF	85					
RATING	40C AMB-CONT											
CC									USABLE AT 208V	2.5		
DE	6203					ODE	6203					
ENCL	ODP					SN						
	SFA 4.4/2.2											

Parts List		
Part Number	Description	Quantity
SA277760	SA 34F353W954G2	1.000 EA
RA264308	RA 34F353W954G2	1.000 EA
OC3016F12SP	CYL OIL CAP 16MFD/370V	1.000 EA
EC1145A02	ELEC CAP 115V 1.4 X 3.3 X	1.000 EA
NS2512A01	INSULATOR, CONDUIT BOX X	1.000 EA
34CB3002A	CB CAST W/.88 DIA HOLE	1.000 EA
51XB1016A07	10-16 X 7/16 HXWSSLD SERTYB	2.000 EA
11XW1032G06	10-32 X .38, TAPTITE II, HEX WSHR SLTD U	1.000 EA
51XW0832A07	8-32 X .44, TAPTITE II, HEX WSHR SLTD SE	2.000 EA
SP1006A01	INSULATOR MODEL 35 SWITCH	1.000 EA
34EP3210A01SP	FR ENDPLATE, MACH	1.000 EA
34CB3801	CAPACITOR BOX, DIE CAST	1.000 EA
51XB1214A08	12-14 X 1/2HX WS SL SR TYBX	2.000 EA
34GS5003A01	FOAM SLEEVE, ID = 2 1/16" X 4 3/8"	1.000 EA
HW5100A03	WAVY WASHER (W1543-017)	1.000 EA
34EP3212A02	PU ENDPLATE, MODEL 34 OPEN	1.000 EA
XY1032A02	10-32 HEX NUT DIRECTIONAL SERRATION	4.000 EA
34CB4517	CB LID 4 MTG HOLES .22 DIA STAMPED, FOR	1.000 EA
51XW0832A07	8-32 X .44, TAPTITE II, HEX WSHR SLTD SE	4.000 EA
HW2501D13	KEY, 3/16 SQ X 1.375	1.000 EA
HA7000A04	KEY RETAINER 0.625 DIA SHAFTS	1.000 EA
85XU0407S04	4X1/4 U DRIVE PIN STAINLESS	2.000 EA
SP5051B17	MDL 34 TORQ STAT SW,TYPE LC, STD F1 & F2	1.000 EA
HA3100A44	THRUBOLT 10-32 X 8.000	4.000 EA

Parts List (continued)		
Part Number	Description	Quantity
MG1000Y03	MUNSELL 2.53Y 6.70/ 4.60, GLOSS 20,	0.014 GA
MN416A01	TAG-INSTAL-MAINT no wire (2200bx) 4/22	1.000 EA
LC0001A01	CONN LABEL / WARNING LABEL (LC0001 / LB1	1.000 EA
NP3155L	ALUM SUPER-E UL CSA CC "SEMS"	1.000 EA
35PA1066	PKG GRP, PRINT PK1008A06	1.000 EA
34GS5003A01	FOAM SLEEVE, ID = 2 1/16" X 4 3/8"	2.000 EA

AC Induction Motor Performance Data

Record # 44912

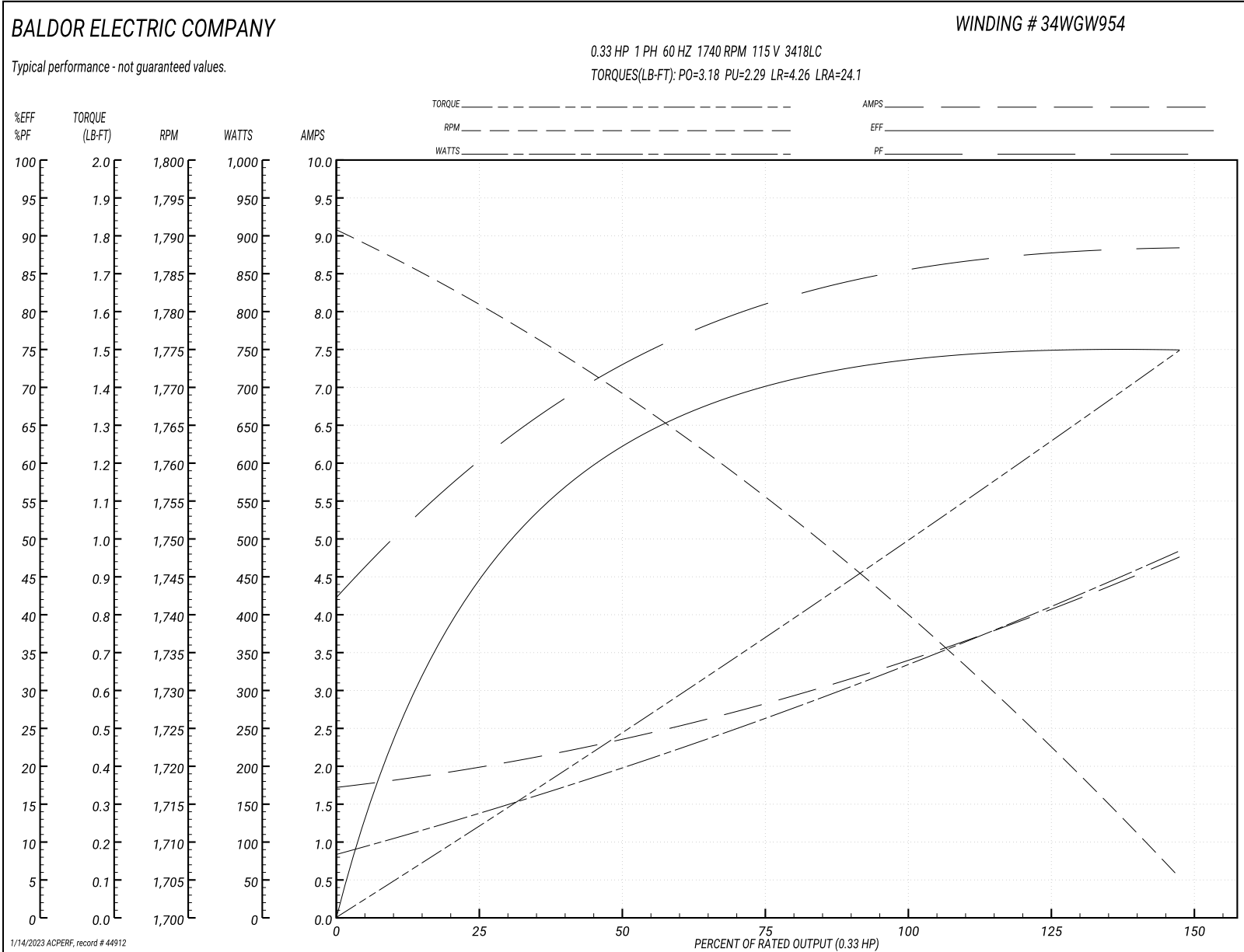
Typical performance - not guaranteed values

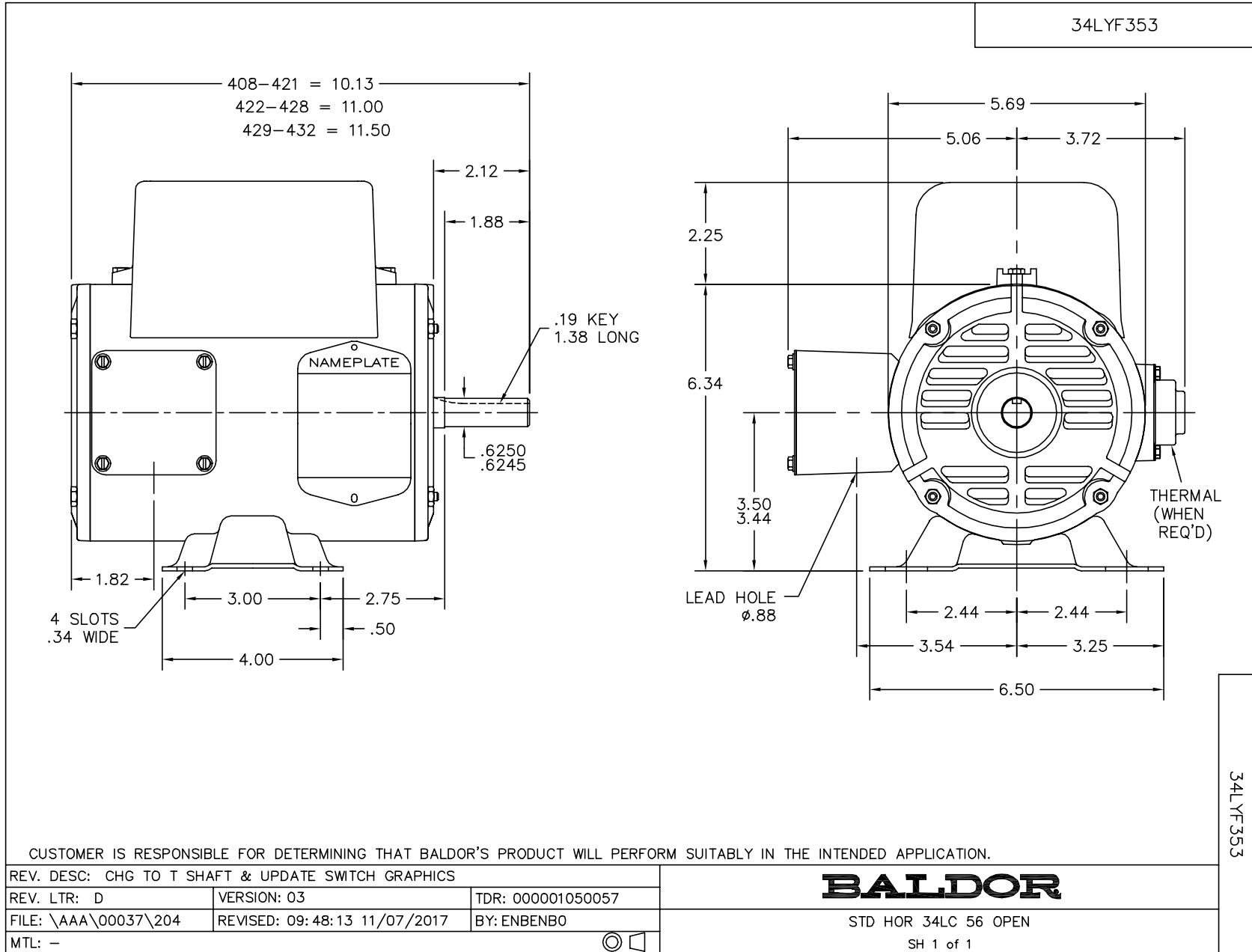
Winding: 34WG954-R003			Type: 3418LC			Enclosure: OPEN		
Nameplate Data						115 V, 60 Hz: Low Voltage Connection		
Rated Output (HP)	.33		Full Load Torque	0.996 LB-FT				
Volts	115/230		Start Configuration	direct on line				
Full Load Amps	3.4/1.7		Breakdown Torque	3.18 LB-FT				
R.P.M.	1740		Pull-up Torque	2.29 LB-FT				
Hz	60	Phase	1	Locked-rotor Torque	4.26 LB-FT			
NEMA Design Code	- KVA Code		K	Starting Current	24.1 A			
Service Factor (S.F.)	1.35			No-load Current	1.69 A			
NEMA Nom. Eff.	72.4	Power Factor	85	Line-line Res. @ 25°C	1.7428 Ω A Ph 5.5858 Ω B Ph			
Rating - Duty	40C AMB-CONT			Temp. Rise @ Rated Load	35°C			
S.F. Amps	4.4/2.2			Temp. Rise @ S.F. Load	42°C			

Load Characteristics 115 V, 60 Hz, 0.33 HP

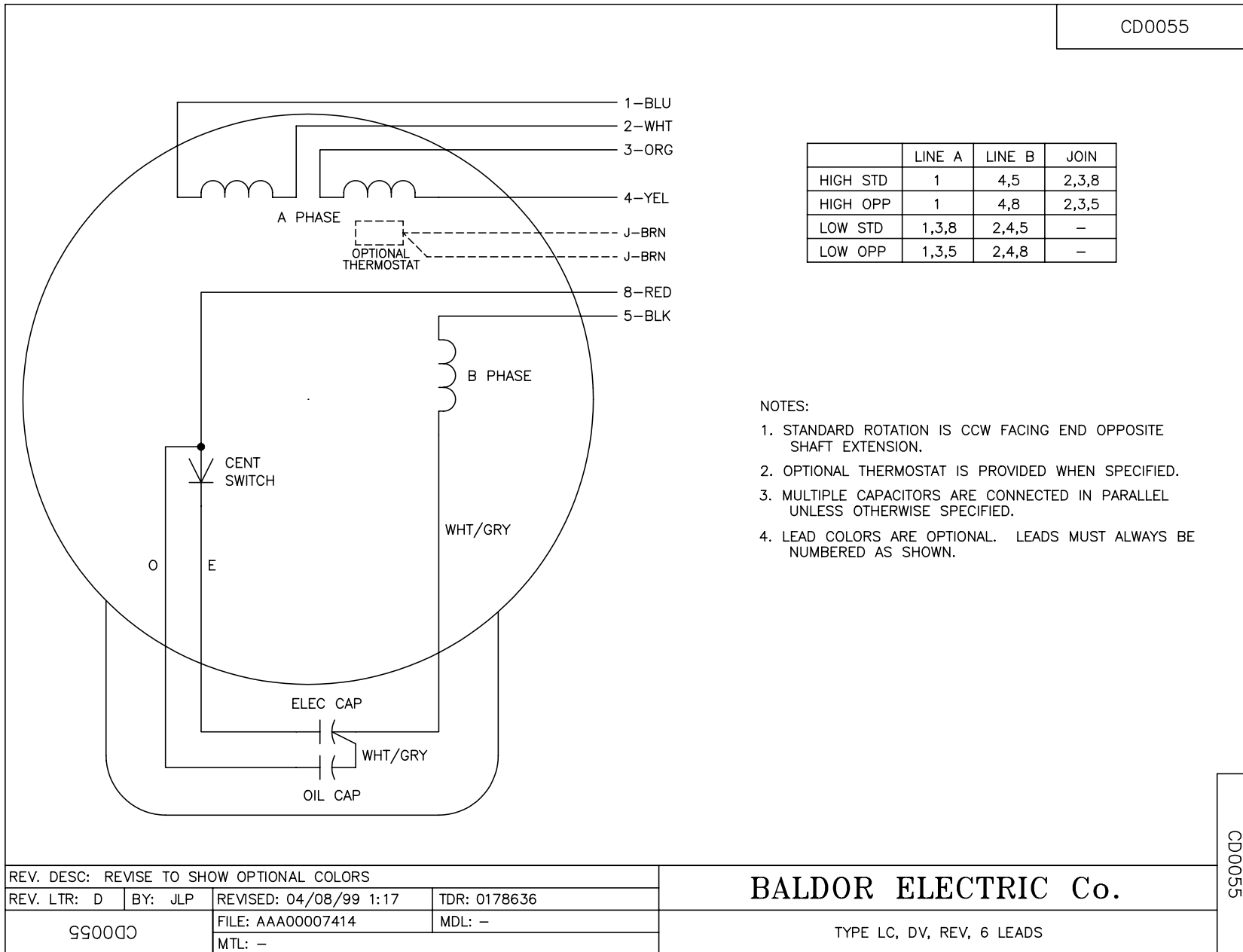
% of Rated Load	25	50	75	100	125	150	S.F.
Power Factor	62	72	81	85	87	89	88
Efficiency	32.1	64.5	69.3	73.5	76.7	73.7	75.5
Speed	1780.3	1770	1754.7	1739.9	1725.3	1703.3	1716
Line amperes	1.96	2.31	2.87	3.43	3.99	4.81	4.32

Performance Graph at 115V, 60Hz, 0.33HP Typical performance - Not guaranteed values





CD0055



REV. DESC: REVISE TO SHOW OPTIONAL COLORS			
REV. LTR: D	BY: JLP	REVISED: 04/08/99 1:17	TDR: 0178636
99000		FILE: AAA00007414	MDL: -
CD0055		MTL: -	

BALDOR ELECTRIC Co.

TYPE LC, DV, REV, 6 LEADS

CD0055