

**BALDOR® • RELIANCE** 

**Product Information Packet**

**EL11209**

**.5HP,1725RPM,1PH,60HZ,48,3424LC,OPEN,F1**

Part Detail							
Revision:	G	Status:	PRD/A	Change #:		Proprietary:	No
Type:	AC	Elec. Spec:	34WGR141	CD Diagram:	CD0055	Mfg Plant:	
Mech. Spec:	34F868	Layout:	34LYF868	Poles:	04	Created Date:	09-26-2014
Base:	RG	Eff. Date:	02-07-2022	Leads:	6#18		

Specs			
Catalog Number:	EL11209	Insulation Class:	B
Enclosure:	OPEN	Inverter Code:	Not Inverter
Frame:	48	KVA Code:	K
Frame Material:	Steel	Lifting Lugs:	No Lifting Lugs
Motor Letter Type:	Cap Start, Cap Run	Locked Bearing Indicator:	No Locked Bearing
Output @ Frequency:	.500 HP @ 60 HZ	Motor Lead Quantity/Wire Size:	6 @ 18 AWG
Synchronous Speed @ Frequency:	1800 RPM @ 60 HZ	Motor Lead Exit:	Ko Box
Voltage @ Frequency:	115.0 V @ 60 HZ	Motor Lead Termination:	Flying Leads
	230.0 V @ 60 HZ	Motor Type:	3424LC
XP Class and Group:	None	Mounting Arrangement:	F1
XP Division:	Not Applicable	Power Factor:	98
Agency Approvals:	C UR US ENERGY	Product Family:	General Purpose
Auxillary Box:	No Auxillary Box	Pulley End Bearing Type:	Ball
Auxillary Box Lead Termination:	None	Pulley Face Code:	Standard
Base Indicator:	Rigid	Pulley Shaft Indicator:	Standard
Bearing Grease Type:	Polyrex EM (-20F +300F)	Rodent Screen:	None
Blower:	None	RoHS Status:	ROHS COMPLIANT
Current @ Voltage:	2.350 A @ 230.0 V	Shaft Extension Location:	Pulley End

	3.200 A @ 208.0 V	<b>Shaft Ground Indicator:</b>	No Shaft Grounding
	4.700 A @ 115.0 V	<b>Shaft Rotation:</b>	Reversible
<b>Design Code:</b>	N	<b>Shaft Slinger Indicator:</b>	No Slinger
<b>Drip Cover:</b>	No Drip Cover	<b>Speed Code:</b>	Single Speed
<b>Duty Rating:</b>	CONT	<b>Motor Standards:</b>	NEMA
<b>Electrically Isolated Bearing:</b>	Not Electrically Isolated	<b>Starting Method:</b>	Direct on line
<b>Feedback Device:</b>	NO FEEDBACK	<b>Thermal Device - Bearing:</b>	None
<b>Front Face Code:</b>	Standard	<b>Thermal Device - Winding:</b>	None
<b>Front Shaft Indicator:</b>	None	<b>Vibration Sensor Indicator:</b>	No Vibration Sensor
<b>Heater Indicator:</b>	No Heater	<b>Winding Thermal 1:</b>	None
		<b>Winding Thermal 2:</b>	None

Nameplate NP3155L												
CAT.NO.	EL11209											
SPEC.	34F868R141G1											
HP	.5											
VOLTS	115/230											
AMP	4.7/2.35											
RPM	1725											
FRAME	48					HZ	60			PH	1	
SER.F.	1.25					CODE	K		DES	N	CL	B
F.L. AVG. EFF.	76.2					PF	98					
RATING	40C AMB-CONT											
CC									USABLE AT 208V	3.2		
DE	6203					ODE	6203					
ENCL	OPEN					SN						
	SFA 5.9/2.95											

Parts List		
Part Number	Description	Quantity
SA287674	SA 34F868R141G1	1.000 EA
RA273882	RA 34F868R141G1	1.000 EA
OC3030F11SP	CAPACITOR 30 MFD 370 VAC	1.000 EA
EC1324A02	ELEC CAP, 324-389 MFD, 125V, 1.48D X 3.	1.000 EA
NS2512A01	INSULATOR, CONDUIT BOX X	1.000 EA
34CB3002A	CB CAST W/.88 DIA HOLE	1.000 EA
51XB1016A07	10-16 X 7/16 HXWSSLD SERTYB	2.000 EA
11XW1032G06	10-32 X .38, TAPTITE II, HEX WSHR SLTD U	1.000 EA
51XW0832A07	8-32 X .44, TAPTITE II, HEX WSHR SLTD SE	2.000 EA
SP1006A01	INSULATOR MODEL 35 SWITCH	1.000 EA
34EP3210A01SP	FR ENDPLATE, MACH	1.000 EA
34CB3801	CAPACITOR BOX, DIE CAST	1.000 EA
51XB1214A08	12-14 X 1/2HX WS SL SR TYBX	2.000 EA
34GS5003A01	FOAM SLEEVE, ID = 2 1/16" X 4 3/8"	1.000 EA
HW5100A03	WAVY WASHER (W1543-017)	1.000 EA
34EP3212A02	PU ENDPLATE, MODEL 34 OPEN	1.000 EA
XY1032A02	10-32 HEX NUT DIRECTIONAL SERRATION	4.000 EA
34CB4517	CB LID 4 MTG HOLES .22 DIA STAMPED, FOR	1.000 EA
51XW0832A07	8-32 X .44, TAPTITE II, HEX WSHR SLTD SE	4.000 EA
MG1000Y03	MUNSELL 2.53Y 6.70/ 4.60, GLOSS 20,	0.014 GA
85XU0407S04	4X1/4 U DRIVE PIN STAINLESS	2.000 EA
HA3100A45	THRUBOLT 10-32 X 8.875	4.000 EA
SP5051B17	MDL 34 TORQ STAT SW,TYPE LC, STD F1 & F2	1.000 EA
LC0001A01	CONN LABEL / WARNING LABEL (LC0001 / LB1	1.000 EA

<b>Parts List (continued)</b>		
<b>Part Number</b>	<b>Description</b>	<b>Quantity</b>
MN416A01	TAG-INSTAL-MAINT no wire (2200bx) 4/22	1.000 EA
NP3155L	ALUM SUPER-E UL CSA CC "SEMS"	1.000 EA
35PA1066	PKG GRP, PRINT PK1008A06	1.000 EA
34GS5003A01	FOAM SLEEVE, ID = 2 1/16" X 4 3/8"	1.000 EA

**AC Induction Motor Performance Data**

Record # 47421

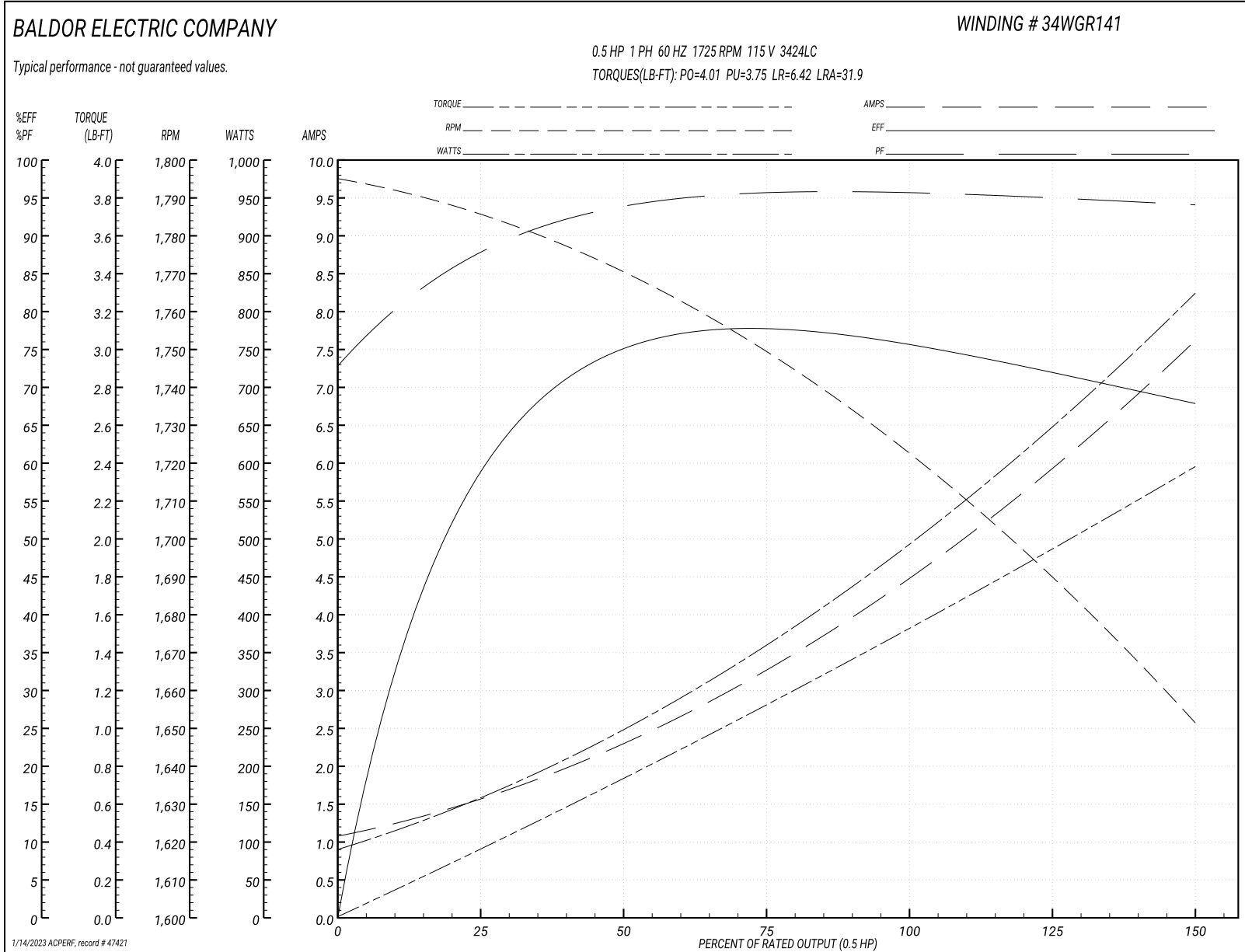
Typical performance - not guaranteed values

Winding: 34WGR141-R002			Type: 3424LC			Enclosure: OPEN		
<b>Nameplate Data</b>						<b>115 V, 60 Hz: Low Voltage Connection</b>		
Rated Output (HP)			.5	Full Load Torque	1.51 LB-FT			
Volts			115/230	Start Configuration	direct on line			
Full Load Amps			4.7/2.35	Breakdown Torque	4.01 LB-FT			
R.P.M.			1725	Pull-up Torque	3.75 LB-FT			
Hz	60	Phase	1	Locked-rotor Torque	6.42 LB-FT			
NEMA Design Code	N	KVA Code	K	Starting Current	31.9 A			
Service Factor (S.F.)			1.25	No-load Current	1.06 A			
NEMA Nom. Eff.	76.2	Power Factor	98	Line-line Res. @ 25°C	1.6786 Ω A Ph 2.0496 Ω B Ph			
Rating - Duty			40C AMB-CONT	Temp. Rise @ Rated Load	37°C			
S.F. Amps			5.9/2.95	Temp. Rise @ S.F. Load	55°C			

**Load Characteristics 115 V, 60 Hz, 0.5 HP**

% of Rated Load	25	50	75	100	125	150	S.F.
Power Factor	89	94	95	95	95	94	95
Efficiency	59.9	73	76.8	76.6	73.3	67.1	73.3
Speed	1782.8	1767.7	1748.6	1726.8	1694.2	1648.1	1694
Line amperes	1.56	2.34	3.34	4.39	5.8	7.69	5.8

Performance Graph at 115V, 60Hz, 0.5HP Typical performance - Not guaranteed values





**AC Induction Motor Performance Data**

Record # 49328

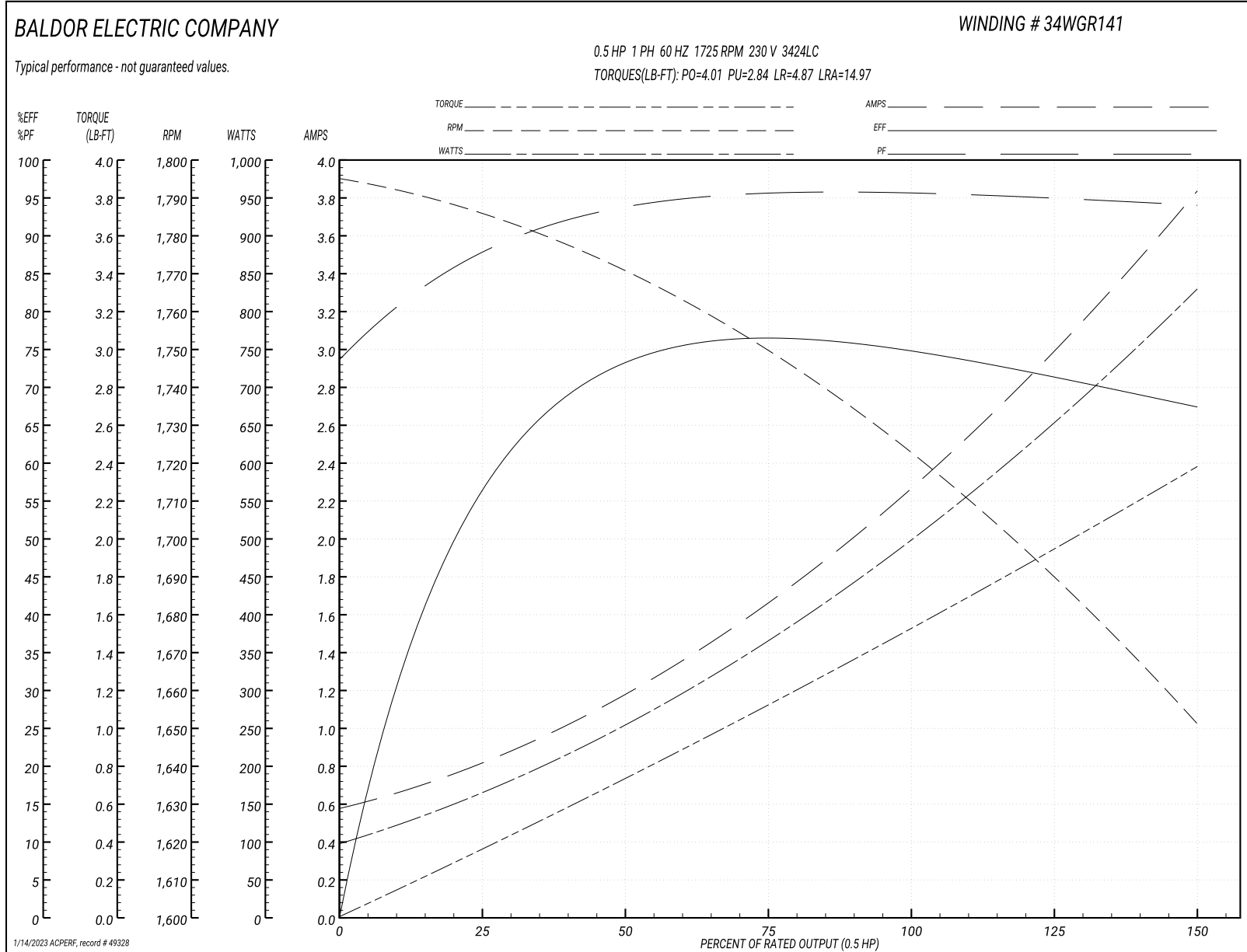
Typical performance - not guaranteed values

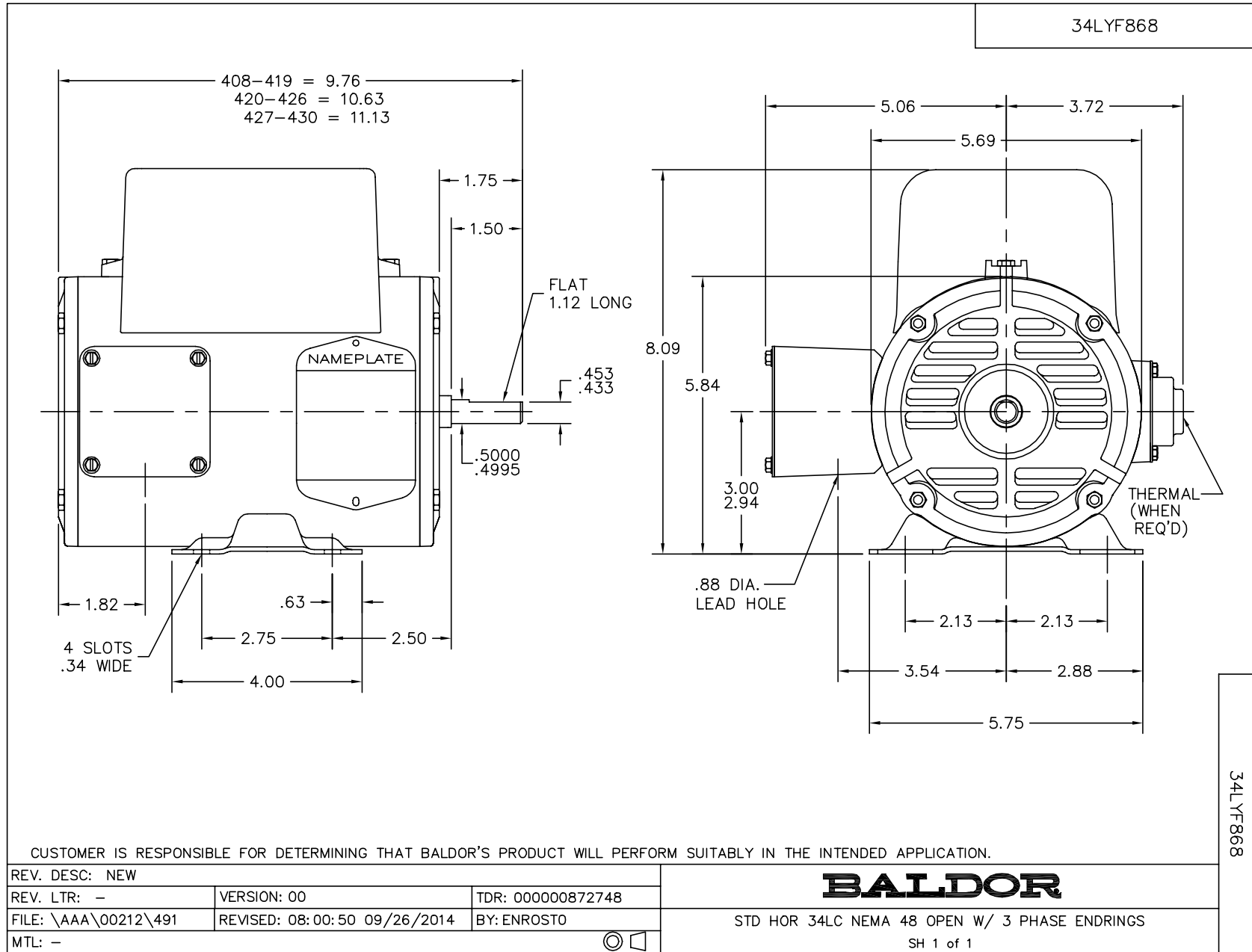
<b>Winding:</b> 34WGR141-R002		<b>Type:</b> 3424LC		<b>Enclosure:</b> OPEN			
<b>Nameplate Data</b>			<b>230 V, 60 Hz: High Voltage Connection</b>				
<b>Rated Output (HP)</b>	.5	<b>Full Load Torque</b>	1.51 LB-FT				
<b>Volts</b>	115/230	<b>Start Configuration</b>	direct on line				
<b>Full Load Amps</b>	4.7/2.35	<b>Breakdown Torque</b>	4.01 LB-FT				
<b>R.P.M.</b>	1725	<b>Pull-up Torque</b>	2.84 LB-FT				
<b>Hz</b>	60 <b>Phase</b>	1	<b>Locked-rotor Torque</b>	4.87 LB-FT			
<b>NEMA Design Code</b>	N	<b>KVA Code</b>	K	<b>Starting Current</b>	14.97 A		
<b>Service Factor (S.F.)</b>	1.25		<b>No-load Current</b>	0.571 A			
<b>NEMA Nom. Eff.</b>	76.2	<b>Power Factor</b>	98	<b>Line-line Res. @ 25°C</b>	6.38 Ω A Ph 2.09 Ω B Ph		
<b>Rating - Duty</b>	40C AMB-CONT		<b>Temp. Rise @ Rated Load</b>	40°C			
<b>S.F. Amps</b>	5.9/2.95		<b>Temp. Rise @ S.F. Load</b>	53°C			
			<b>Rotor inertia</b>	0.057 LB-FT <sup>2</sup>			

**Load Characteristics 230 V, 60 Hz, 0.5 HP**

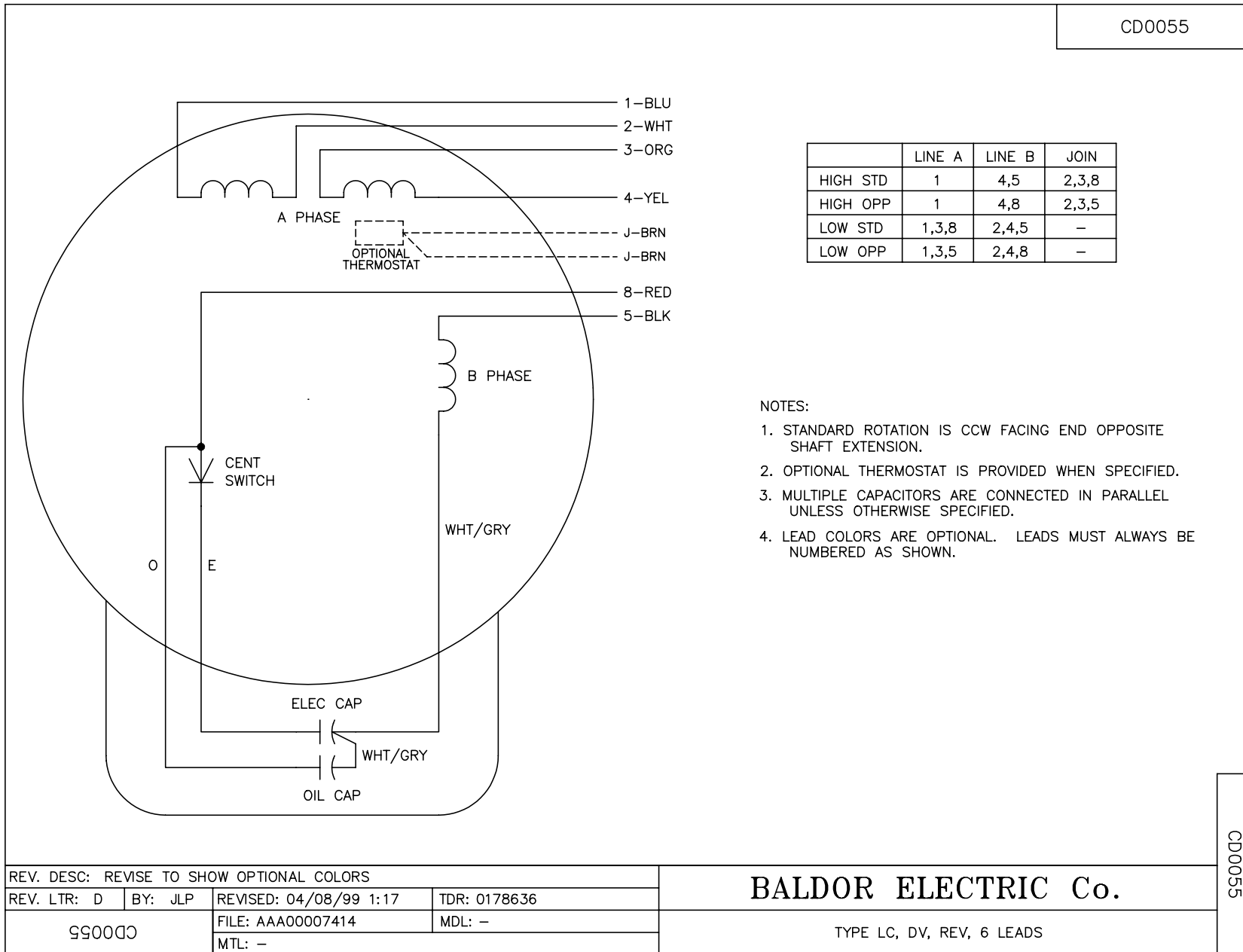
<b>% of Rated Load</b>	<b>25</b>	<b>50</b>	<b>75</b>	<b>100</b>	<b>125</b>	<b>150</b>	<b>S.F.</b>
<b>Power Factor</b>	89	93	95	96	95	94	95
<b>Efficiency</b>	57.8	71.3	75.5	75.6	72.6	66.9	72.6
<b>Speed</b>	1783	1768	1749	1727	1694	1648	1694
<b>Line amperes</b>	0.809	1.2	1.7	2.22	2.93	3.87	2.93

Performance Graph at 230V, 60Hz, 0.5HP Typical performance - Not guaranteed values





CD0055



NOTES:

1. STANDARD ROTATION IS CCW FACING END OPPOSITE SHAFT EXTENSION.
2. OPTIONAL THERMOSTAT IS PROVIDED WHEN SPECIFIED.
3. MULTIPLE CAPACITORS ARE CONNECTED IN PARALLEL UNLESS OTHERWISE SPECIFIED.
4. LEAD COLORS ARE OPTIONAL. LEADS MUST ALWAYS BE NUMBERED AS SHOWN.

REV. DESC: REVISE TO SHOW OPTIONAL COLORS			
REV. LTR: D	BY: JLP	REVISED: 04/08/99 1:17	TDR: 0178636
990000		FILE: AAA00007414	MDL: -
		MTL: -	

**BALDOR ELECTRIC Co.**

TYPE LC, DV, REV, 6 LEADS

CD0055