

BALDOR® • RELIANCE 

Product Information Packet

EL11207

.33HP, 1140RPM, 1PH, 60HZ, 48, 3421LC, OPEN, F1

Part Detail							
Revision:	G	Status:	PRD/A	Change #:		Proprietary:	No
Type:	AC	Elec. Spec:	34WGR143	CD Diagram:	CD0055	Mfg Plant:	
Mech. Spec:	34F351	Layout:	34LYF351	Poles:	06	Created Date:	10-07-2014
Base:	RG	Eff. Date:	04-22-2021	Leads:	6#18		

Specs			
Catalog Number:	EL11207	Inverter Code:	Not Inverter
Enclosure:	OPEN	KVA Code:	J
Frame:	48	Lifting Lugs:	No Lifting Lugs
Frame Material:	Steel	Locked Bearing Indicator:	No Locked Bearing
Motor Letter Type:	Cap Start, Cap Run	Motor Lead Quantity/Wire Size:	6 @ 18 AWG
Output @ Frequency:	.330 HP @ 60 HZ	Motor Lead Exit:	Ko Box
Synchronous Speed @ Frequency:	1200 RPM @ 60 HZ	Motor Lead Termination:	Flying Leads
Voltage @ Frequency:	115.0 V @ 60 HZ	Motor Type:	3421LC
	230.0 V @ 60 HZ	Mounting Arrangement:	F1
XP Class and Group:	None	Power Factor:	83
XP Division:	Not Applicable	Product Family:	General Purpose
Agency Approvals:	C UR US ENERGY	Pulley End Bearing Type:	Ball
Auxillary Box:	No Auxillary Box	Pulley Face Code:	Standard
Auxillary Box Lead Termination:	None	Pulley Shaft Indicator:	Standard
Base Indicator:	Rigid	Rodent Screen:	None
Bearing Grease Type:	Polyrex EM (-20F +300F)	RoHS Status:	ROHS COMPLIANT
Blower:	None	Shaft Extension Location:	Pulley End
Current @ Voltage:	1.900 A @ 230.0 V	Shaft Ground Indicator:	No Shaft Grounding

	3.800 A @ 115.0 V	Shaft Rotation:	Reversible
Design Code:	N	Shaft Slinger Indicator:	No Slinger
Drip Cover:	No Drip Cover	Speed Code:	Single Speed
Duty Rating:	CONT	Motor Standards:	NEMA
Electrically Isolated Bearing:	Not Electrically Isolated	Starting Method:	Direct on line
Feedback Device:	NO FEEDBACK	Thermal Device - Bearing:	None
Front Face Code:	Standard	Thermal Device - Winding:	None
Front Shaft Indicator:	None	Vibration Sensor Indicator:	No Vibration Sensor
Heater Indicator:	No Heater	Winding Thermal 1:	None
Insulation Class:	B	Winding Thermal 2:	None

Nameplate NP3155L												
CAT.NO.	EL11207											
SPEC.	34F351R143G1											
HP	.33											
VOLTS	115/230											
AMP	3.8/1.9											
RPM	1140											
FRAME	48					HZ	60			PH	1	
SER.F.	1.35					CODE	J		DES	N	CL	B
F.L. AVG. EFF.	68					PF	83					
RATING	40C AMB-CONT											
CC										USABLE AT 208V		
DE	6203					ODE	6203					
ENCL	OPEN					SN						
	SFA 4.8/2.4											

Parts List		
Part Number	Description	Quantity
SA288063	SA 34F351R143G1	1.000 EA
RA274264	RA 34F351R143G1	1.000 EA
OC3020F12SP	CAPACITORS 20 MFD 370 VAC	1.000 EA
EC1108C03	ELEC CAP, 108-130 MFD, 250V, 1.81D X 3.	1.000 EA
NS2512A01	INSULATOR, CONDUIT BOX X	1.000 EA
34CB3002A	CB CAST W/.88 DIA HOLE	1.000 EA
51XB1016A07	10-16 X 7/16 HXWSSLD SERTYB	2.000 EA
11XW1032G06	10-32 X .38, TAPTITE II, HEX WSHR SLTD U	1.000 EA
51XW0832A07	8-32 X .44, TAPTITE II, HEX WSHR SLTD SE	2.000 EA
SP1006A01	INSULATOR MODEL 35 SWITCH	1.000 EA
34EP3210A01SP	FR ENDPLATE, MACH	1.000 EA
34GS5003A01	FOAM SLEEVE, ID = 2 1/16" X 4 3/8"	2.000 EA
34CB3801	CAPACITOR BOX, DIE CAST	1.000 EA
51XB1214A08	12-14 X 1/2HX WS SL SR TYBX	2.000 EA
HW5100A03	WAVY WASHER (W1543-017)	1.000 EA
34EP3212A02	PU ENDPLATE, MODEL 34 OPEN	1.000 EA
XY1032A02	10-32 HEX NUT DIRECTIONAL SERRATION	4.000 EA
34CB4517	CB LID 4 MTG HOLES .22 DIA STAMPED, FOR	1.000 EA
51XW0832A07	8-32 X .44, TAPTITE II, HEX WSHR SLTD SE	4.000 EA
85XU0407S04	4X1/4 U DRIVE PIN STAINLESS	2.000 EA
SP5051B17	MDL 34 TORQ STAT SW,TYPE LC, STD F1 & F2	1.000 EA
HA3100A44	THRUBOLT 10-32 X 8.000	4.000 EA
MG1000Y03	MUNSELL 2.53Y 6.70/ 4.60, GLOSS 20,	0.014 GA
LC0001A01	CONN LABEL / WARNING LABEL (LC0001 / LB1	1.000 EA

Parts List (continued)		
Part Number	Description	Quantity
MN416A01	TAG-INSTAL-MAINT no wire (2200bx) 4/22	1.000 EA
NP3155L	ALUM SUPER-E UL CSA CC "SEMS"	1.000 EA
35PA1066	PKG GRP, PRINT PK1008A06	1.000 EA

AC Induction Motor Performance Data

Record # 47417

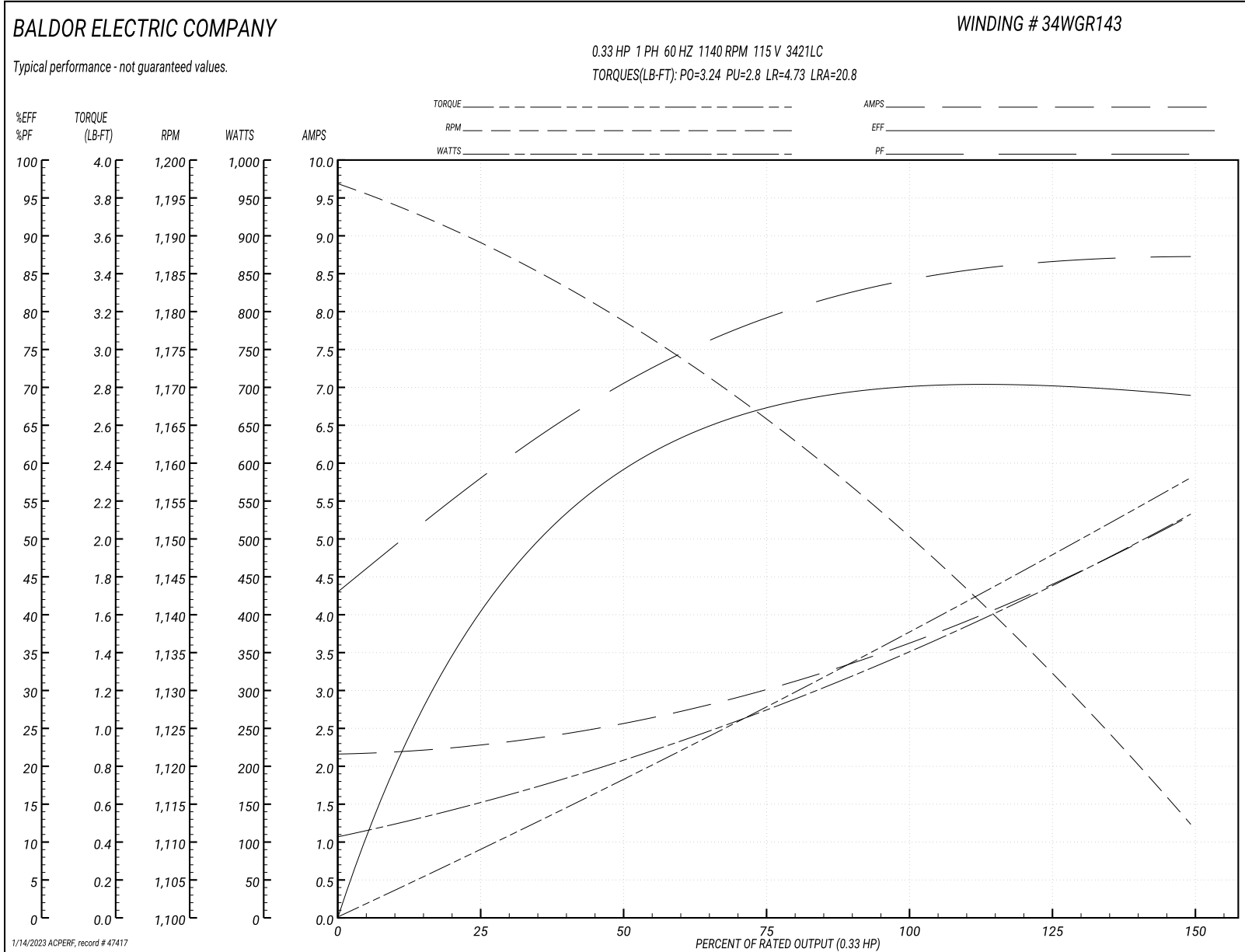
Typical performance - not guaranteed values

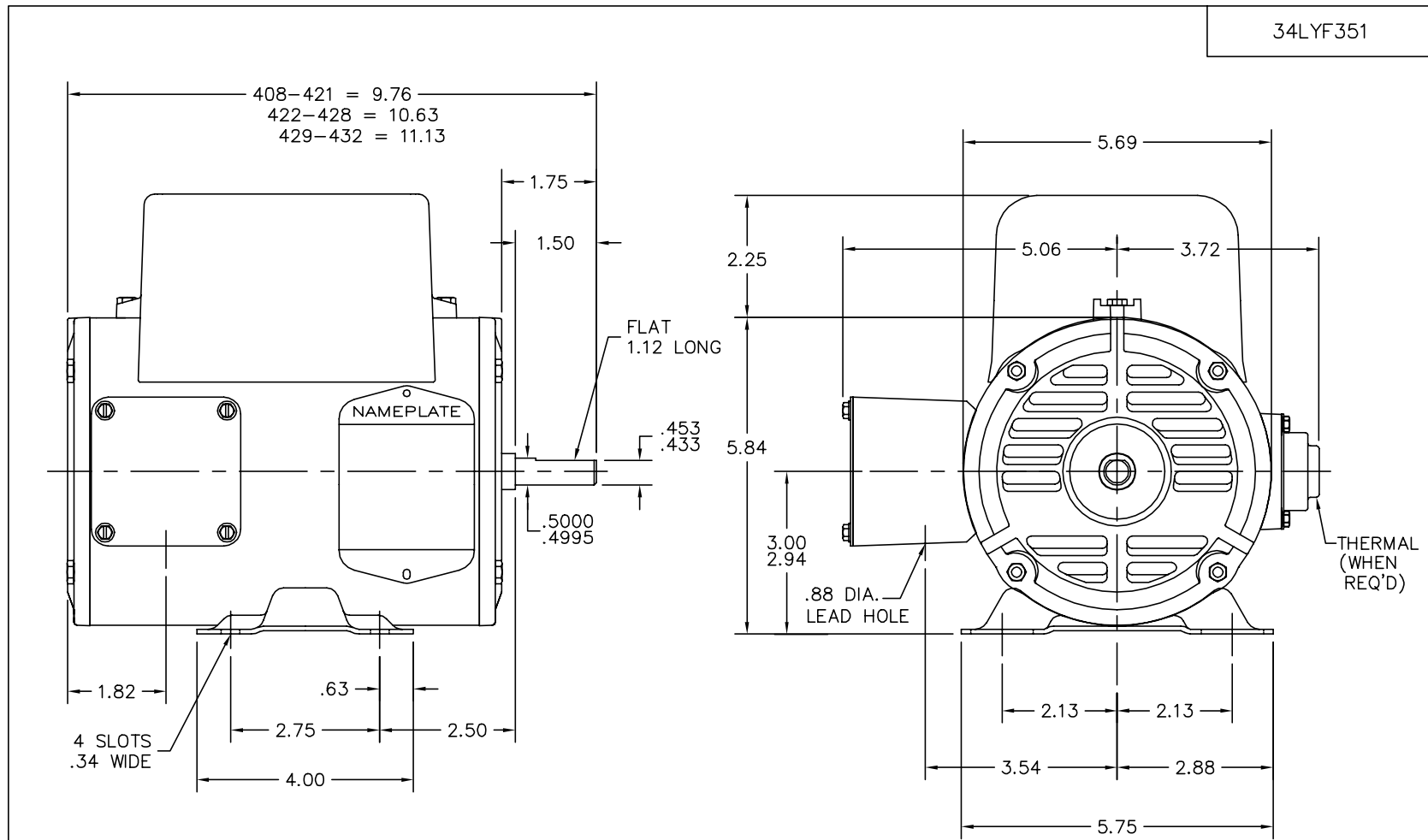
Winding: 34WGR143-R002		Type: 3421LC	Enclosure: OPEN		
Nameplate Data			115 V, 60 Hz: Low Voltage Connection		
Rated Output (HP)	.33	Full Load Torque	1.51 LB-FT		
Volts	115/230	Start Configuration	direct on line		
Full Load Amps	3.8/1.9	Breakdown Torque	3.24 LB-FT		
R.P.M.	1140	Pull-up Torque	2.8 LB-FT		
Hz	60 Phase	1	Locked-rotor Torque	4.73 LB-FT	
NEMA Design Code	N	KVA Code	J	Starting Current	20.8 A
Service Factor (S.F.)	1.35	No-load Current	2.18 A		
NEMA Nom. Eff.	68	Power Factor	83	Line-line Res. @ 25°C	2.3572 Ω A Ph 7.0402 Ω B Ph
Rating - Duty	40C	AMB-CONT	Temp. Rise @ Rated Load	43°C	
S.F. Amps	4.8/2.4	Temp. Rise @ S.F. Load	59°C		

Load Characteristics 115 V, 60 Hz, 0.33 HP

% of Rated Load	25	50	75	100	125	150	S.F.
Power Factor	60	72	79	83	86	88	87
Efficiency	40.7	59.2	66.9	70.5	71.1	68.5	70.1
Speed	1186.7	1176.5	1165.3	1152	1135.6	1109.8	1125
Line amperes	2.25	2.56	3.07	3.65	4.33	5.33	4.73

Performance Graph at 115V, 60Hz, 0.33HP Typical performance - Not guaranteed values





34LYF351

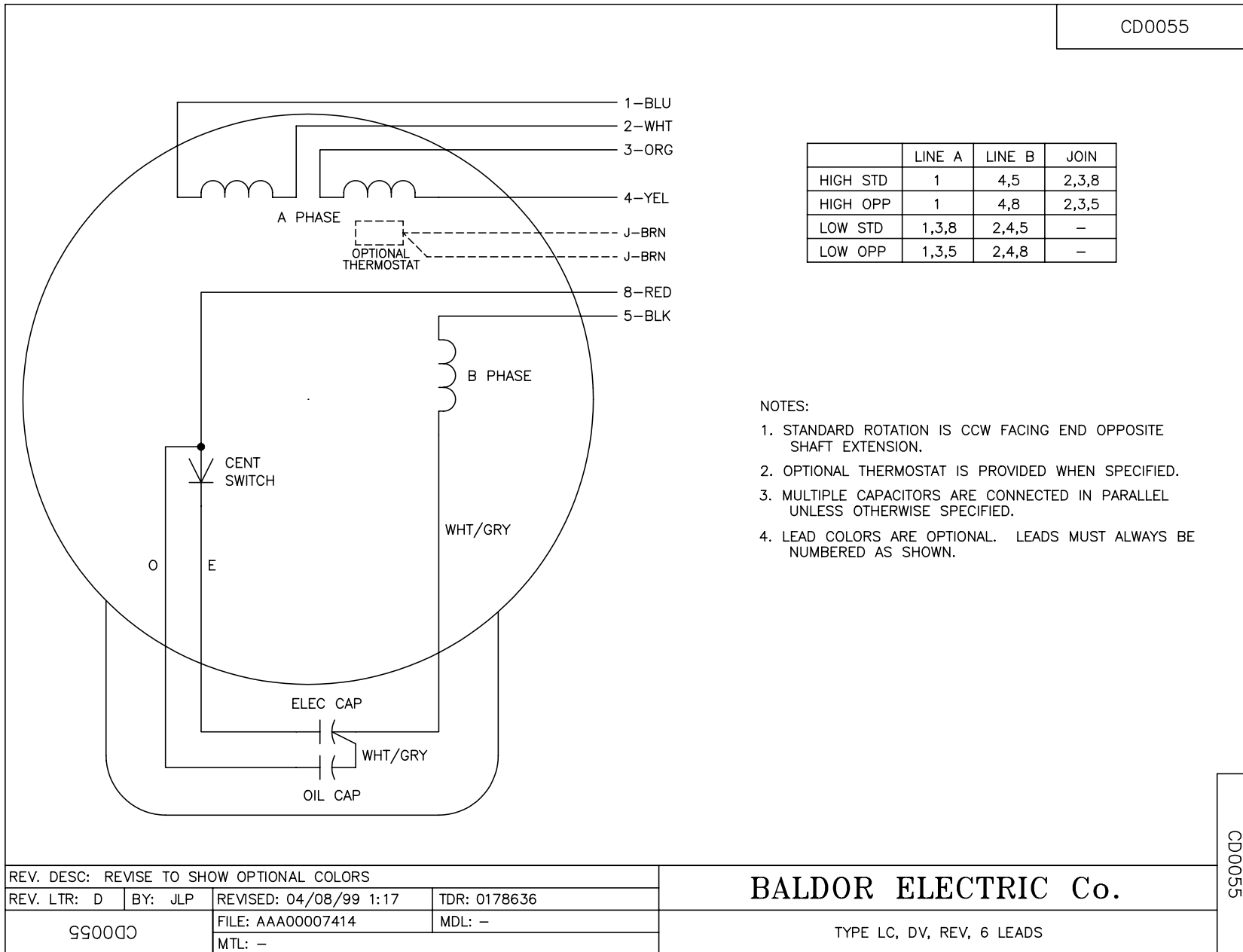
CUSTOMER IS RESPONSIBLE FOR DETERMINING THAT MOTOR PERFORMANCE IS SUITABLE IN THE APPLICATION.

REV. DESC: DIM: KOBX LOC FROM ODE TO THE CENTERLINE OF KOBX		
REV. LTR: C	VERSION: 02	TDR: 000000386903
	FILE: \AAA\00037\242	REVISED: 11:20:24 01/26/2006
	MTL: -	BY: ENMARW1

BALDOR ELECTRIC Co.
STD HOR 34LC NEMA 48 OPEN

34LYF351

CD0055



NOTES:

1. STANDARD ROTATION IS CCW FACING END OPPOSITE SHAFT EXTENSION.
2. OPTIONAL THERMOSTAT IS PROVIDED WHEN SPECIFIED.
3. MULTIPLE CAPACITORS ARE CONNECTED IN PARALLEL UNLESS OTHERWISE SPECIFIED.
4. LEAD COLORS ARE OPTIONAL. LEADS MUST ALWAYS BE NUMBERED AS SHOWN.

REV. DESC: REVISE TO SHOW OPTIONAL COLORS			
REV. LTR: D	BY: JLP	REVISED: 04/08/99 1:17	TDR: 0178636
99000		FILE: AAA00007414	MDL: -
CD0055		MTL: -	

BALDOR ELECTRIC Co.

TYPE LC, DV, REV, 6 LEADS

CD0055