

**BALDOR® • RELIANCE** 

**Product Information Packet**

**EL11204**

**.25HP, 1140RPM, 1PH, 60HZ, 48, 3416LC, OPEN, F1**

| Part Detail |        |             |            |             |        |               |            |
|-------------|--------|-------------|------------|-------------|--------|---------------|------------|
| Revision:   | G      | Status:     | PRD/A      | Change #:   |        | Proprietary:  | No         |
| Type:       | AC     | Elec. Spec: | 34WGR066   | CD Diagram: | CD0055 | Mfg Plant:    |            |
| Mech. Spec: | 34F351 | Layout:     | 34LYF351   | Poles:      | 06     | Created Date: | 03-10-2014 |
| Base:       | RG     | Eff. Date:  | 04-22-2021 | Leads:      | 6#18   |               |            |

| Specs                           |                         |                                |                    |
|---------------------------------|-------------------------|--------------------------------|--------------------|
| Catalog Number:                 | EL11204                 | Inverter Code:                 | Not Inverter       |
| Enclosure:                      | OPEN                    | KVA Code:                      | J                  |
| Frame:                          | 48                      | Lifting Lugs:                  | No Lifting Lugs    |
| Frame Material:                 | Steel                   | Locked Bearing Indicator:      | No Locked Bearing  |
| Motor Letter Type:              | Cap Start, Cap Run      | Motor Lead Quantity/Wire Size: | 6 @ 18 AWG         |
| Output @ Frequency:             | .250 HP @ 60 HZ         | Motor Lead Exit:               | Ko Box             |
| Synchronous Speed @ Frequency:  | 1200 RPM @ 60 HZ        | Motor Lead Termination:        | Flying Leads       |
| Voltage @ Frequency:            | 115.0 V @ 60 HZ         | Motor Type:                    | 3416LC             |
|                                 | 230.0 V @ 60 HZ         | Mounting Arrangement:          | F1                 |
| XP Class and Group:             | None                    | Power Factor:                  | 84                 |
| XP Division:                    | Not Applicable          | Product Family:                | General Purpose    |
| Agency Approvals:               | C UR US ENERGY          | Pulley End Bearing Type:       | Ball               |
| Auxillary Box:                  | No Auxillary Box        | Pulley Face Code:              | Standard           |
| Auxillary Box Lead Termination: | None                    | Pulley Shaft Indicator:        | Standard           |
| Base Indicator:                 | Rigid                   | Rodent Screen:                 | None               |
| Bearing Grease Type:            | Polyrex EM (-20F +300F) | RoHS Status:                   | ROHS COMPLIANT     |
| Blower:                         | None                    | Shaft Extension Location:      | Pulley End         |
| Current @ Voltage:              | 1.450 A @ 230.0 V       | Shaft Ground Indicator:        | No Shaft Grounding |

|                                       |                           |                                    |                     |
|---------------------------------------|---------------------------|------------------------------------|---------------------|
|                                       | 2.900 A @ 115.0 V         | <b>Shaft Rotation:</b>             | Reversible          |
| <b>Design Code:</b>                   | N                         | <b>Shaft Slinger Indicator:</b>    | No Slinger          |
| <b>Drip Cover:</b>                    | No Drip Cover             | <b>Speed Code:</b>                 | Single Speed        |
| <b>Duty Rating:</b>                   | CONT                      | <b>Motor Standards:</b>            | NEMA                |
| <b>Electrically Isolated Bearing:</b> | Not Electrically Isolated | <b>Starting Method:</b>            | Direct on line      |
| <b>Feedback Device:</b>               | NO FEEDBACK               | <b>Thermal Device - Bearing:</b>   | None                |
| <b>Front Face Code:</b>               | Standard                  | <b>Thermal Device - Winding:</b>   | None                |
| <b>Front Shaft Indicator:</b>         | None                      | <b>Vibration Sensor Indicator:</b> | No Vibration Sensor |
| <b>Heater Indicator:</b>              | No Heater                 | <b>Winding Thermal 1:</b>          | None                |
| <b>Insulation Class:</b>              | F                         | <b>Winding Thermal 2:</b>          | None                |

| Nameplate NP3155L |              |  |  |  |  |      |      |  |     |                |    |   |
|-------------------|--------------|--|--|--|--|------|------|--|-----|----------------|----|---|
| CAT.NO.           | EL11204      |  |  |  |  |      |      |  |     |                |    |   |
| SPEC.             | 34F351R066G1 |  |  |  |  |      |      |  |     |                |    |   |
| HP                | .25          |  |  |  |  |      |      |  |     |                |    |   |
| VOLTS             | 115/230      |  |  |  |  |      |      |  |     |                |    |   |
| AMP               | 2.9/1.45     |  |  |  |  |      |      |  |     |                |    |   |
| RPM               | 1140         |  |  |  |  |      |      |  |     |                |    |   |
| FRAME             | 48           |  |  |  |  | HZ   | 60   |  |     | PH             | 1  |   |
| SER.F.            | 1.35         |  |  |  |  | CODE | J    |  | DES | N              | CL | F |
| F.L. AVG. EFF.    | 64           |  |  |  |  | PF   | 84   |  |     |                |    |   |
| RATING            | 40C AMB-CONT |  |  |  |  |      |      |  |     |                |    |   |
| CC                |              |  |  |  |  |      |      |  |     | USABLE AT 208V |    |   |
| DE                | 6203         |  |  |  |  | ODE  | 6203 |  |     |                |    |   |
| ENCL              | OPEN         |  |  |  |  | SN   |      |  |     |                |    |   |
|                   | SFA 3.7/1.85 |  |  |  |  |      |      |  |     |                |    |   |

| Parts List    |  |          |
|---------------|--|----------|
| Part Number   | Description                              | Quantity |
| SA277761      | SA 34F351R066G1                          | 1.000 EA |
| RA264309      | RA 34F351R066G1                          | 1.000 EA |
| OC3020F12SP   | CAPACITORS 20 MFD 370 VAC                | 1.000 EA |
| EC1108C03     | ELEC CAP, 108-130 MFD, 250V, 1.81D X 3.  | 1.000 EA |
| NS2512A01     | INSULATOR, CONDUIT BOX X                 | 1.000 EA |
| 34CB3002A     | CB CAST W/.88 DIA HOLE                   | 1.000 EA |
| 51XB1016A07   | 10-16 X 7/16 HXWSSLD SERTYB              | 2.000 EA |
| 11XW1032G06   | 10-32 X .38, TAPTITE II, HEX WSHR SLTD U | 1.000 EA |
| 51XW0832A07   | 8-32 X .44, TAPTITE II, HEX WSHR SLTD SE | 2.000 EA |
| SP1006A01     | INSULATOR MODEL 35 SWITCH                | 1.000 EA |
| 34EP3210A01SP | FR ENDPLATE, MACH                        | 1.000 EA |
| 34GS5003A01   | FOAM SLEEVE, ID = 2 1/16" X 4 3/8"       | 2.000 EA |
| 34CB3801      | CAPACITOR BOX, DIE CAST                  | 1.000 EA |
| 51XB1214A08   | 12-14 X 1/2HX WS SL SR TYBX              | 2.000 EA |
| HW5100A03     | WAVY WASHER (W1543-017)                  | 1.000 EA |
| 34EP3212A02   | PU ENDPLATE, MODEL 34 OPEN               | 1.000 EA |
| XY1032A02     | 10-32 HEX NUT DIRECTIONAL SERRATION      | 4.000 EA |
| 34CB4517      | CB LID 4 MTG HOLES .22 DIA STAMPED, FOR  | 1.000 EA |
| 51XW0832A07   | 8-32 X .44, TAPTITE II, HEX WSHR SLTD SE | 4.000 EA |
| MG1000Y03     | MUNSELL 2.53Y 6.70/ 4.60, GLOSS 20,      | 0.014 GA |
| 85XU0407S04   | 4X1/4 U DRIVE PIN STAINLESS              | 2.000 EA |
| HA3100A44     | THRUBOLT 10-32 X 8.000                   | 4.000 EA |
| SP5056B08     | 34 TYPE LC STATIONARY SWITCH W/E, O, 8-R | 1.000 EA |
| MN416A01      | TAG-INSTAL-MAINT no wire (2200bx) 4/22   | 1.000 EA |

| <b>Parts List (continued)</b> |  |                 |
|-------------------------------|--|-----------------|
| <b>Part Number</b>            | <b>Description</b>                       | <b>Quantity</b> |
| LC0001A01                     | CONN LABEL / WARNING LABEL (LC0001 / LB1 | 1.000 EA        |
| NP3155L                       | ALUM SUPER-E UL CSA CC "SEMS"            | 1.000 EA        |
| 35PA1066                      | PKG GRP, PRINT PK1008A06                 | 1.000 EA        |

**AC Induction Motor Performance Data**

Record # 44923

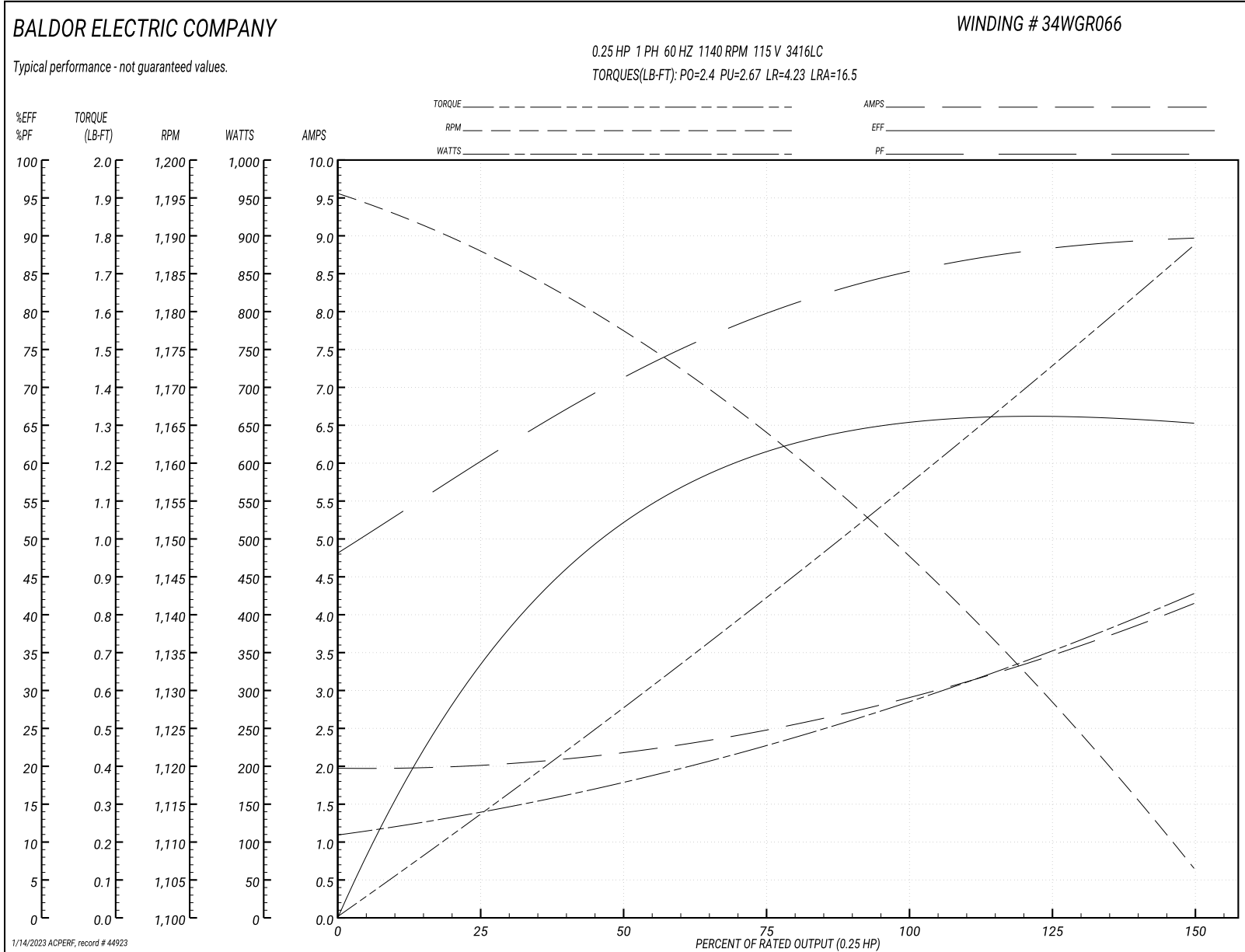
Typical performance - not guaranteed values

| Winding: 34WGR066-R002 |    |              | Type: 3416LC |   |                                | Enclosure: OPEN |  |  |
|------------------------|----|--------------|--------------|---|--------------------------------|-----------------|--|--|
| <b>Nameplate Data</b>  |    |              |              | <b>115 V, 60 Hz:<br/>Low Voltage Connection</b> |                                |                 |  |  |
| Rated Output (HP)      |    |              | .25          | Full Load Torque                                | 1.14 LB-FT                     |                 |  |  |
| Volts                  |    |              | 115/230      | Start Configuration                             | direct on line                 |                 |  |  |
| Full Load Amps         |    |              | 2.9/1.45     | Breakdown Torque                                | 2.4 LB-FT                      |                 |  |  |
| R.P.M.                 |    |              | 1140         | Pull-up Torque                                  | 2.67 LB-FT                     |                 |  |  |
| Hz                     | 60 | Phase        | 1            | Locked-rotor Torque                             | 4.23 LB-FT                     |                 |  |  |
| NEMA Design Code       | N  | KVA Code     | J            | Starting Current                                | 16.5 A                         |                 |  |  |
| Service Factor (S.F.)  |    |              | 1.35         | No-load Current                                 | 1.98 A                         |                 |  |  |
| NEMA Nom. Eff.         | 64 | Power Factor | 84           | Line-line Res. @ 25°C                           | 3.8763 Ω A Ph<br>7.1352 Ω B Ph |                 |  |  |
| Rating - Duty          |    |              | 40C AMB-CONT | Temp. Rise @ Rated Load                         | 48°C                           |                 |  |  |
| S.F. Amps              |    |              | 3.7/1.85     | Temp. Rise @ S.F. Load                          | 63°C                           |                 |  |  |

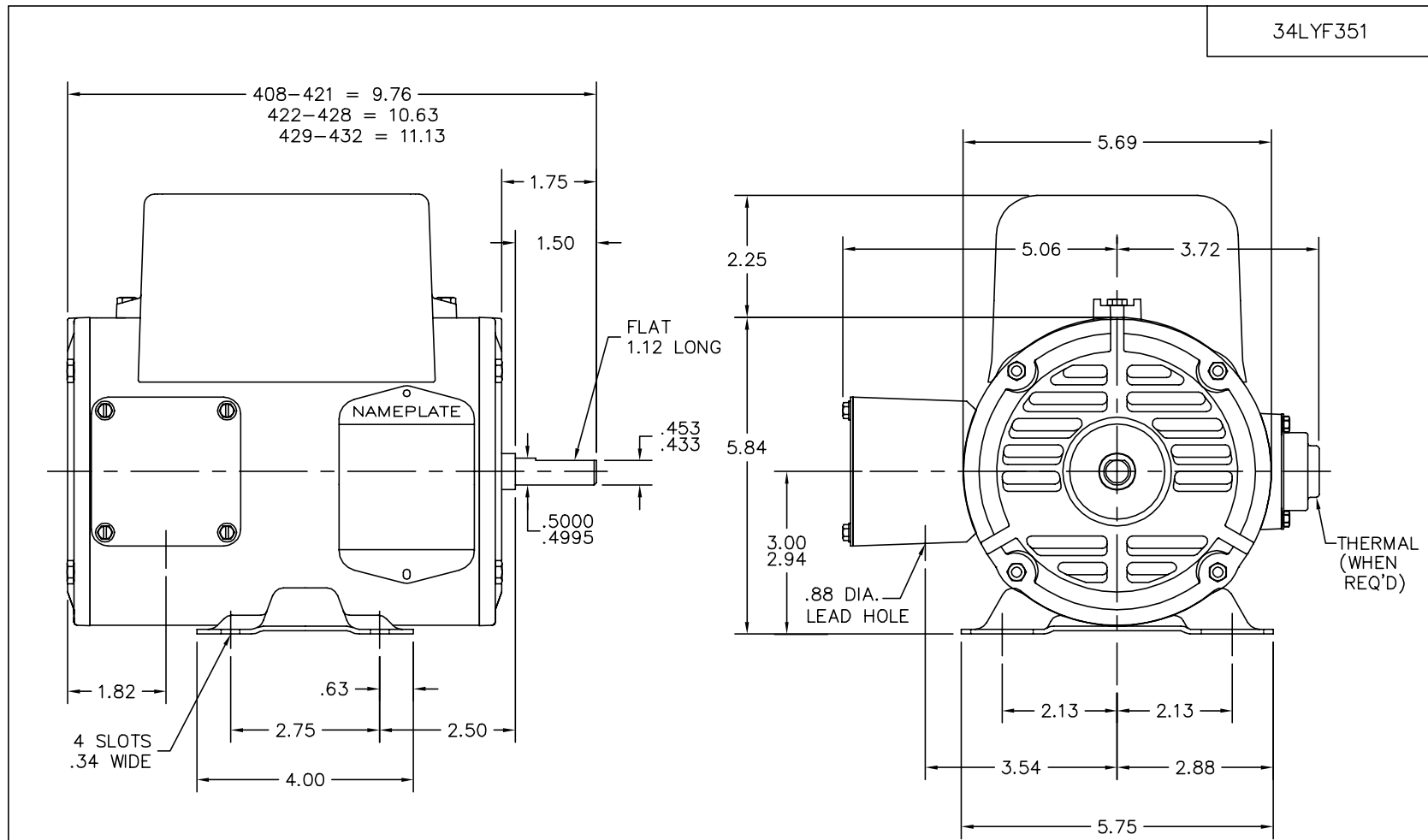
**Load Characteristics 115 V, 60 Hz, 0.25 HP**

| % of Rated Load | 25     | 50     | 75     | 100    | 125    | 150    | S.F. |
|-----------------|--------|--------|--------|--------|--------|--------|------|
| Power Factor    | 61     | 73     | 80     | 85     | 88     | 89     | 88   |
| Efficiency      | 33.6   | 51.9   | 61.3   | 65.6   | 66.9   | 65     | 66.1 |
| Speed           | 1186.6 | 1176.1 | 1163.7 | 1149.1 | 1130.7 | 1104.8 | 1120 |
| Line amperes    | 2.01   | 2.17   | 2.48   | 2.92   | 3.45   | 4.15   | 3.73 |

Performance Graph at 115V, 60Hz, 0.25HP Typical performance - Not guaranteed values







34LYF351

CUSTOMER IS RESPONSIBLE FOR DETERMINING THAT MOTOR PERFORMANCE IS SUITABLE IN THE APPLICATION.

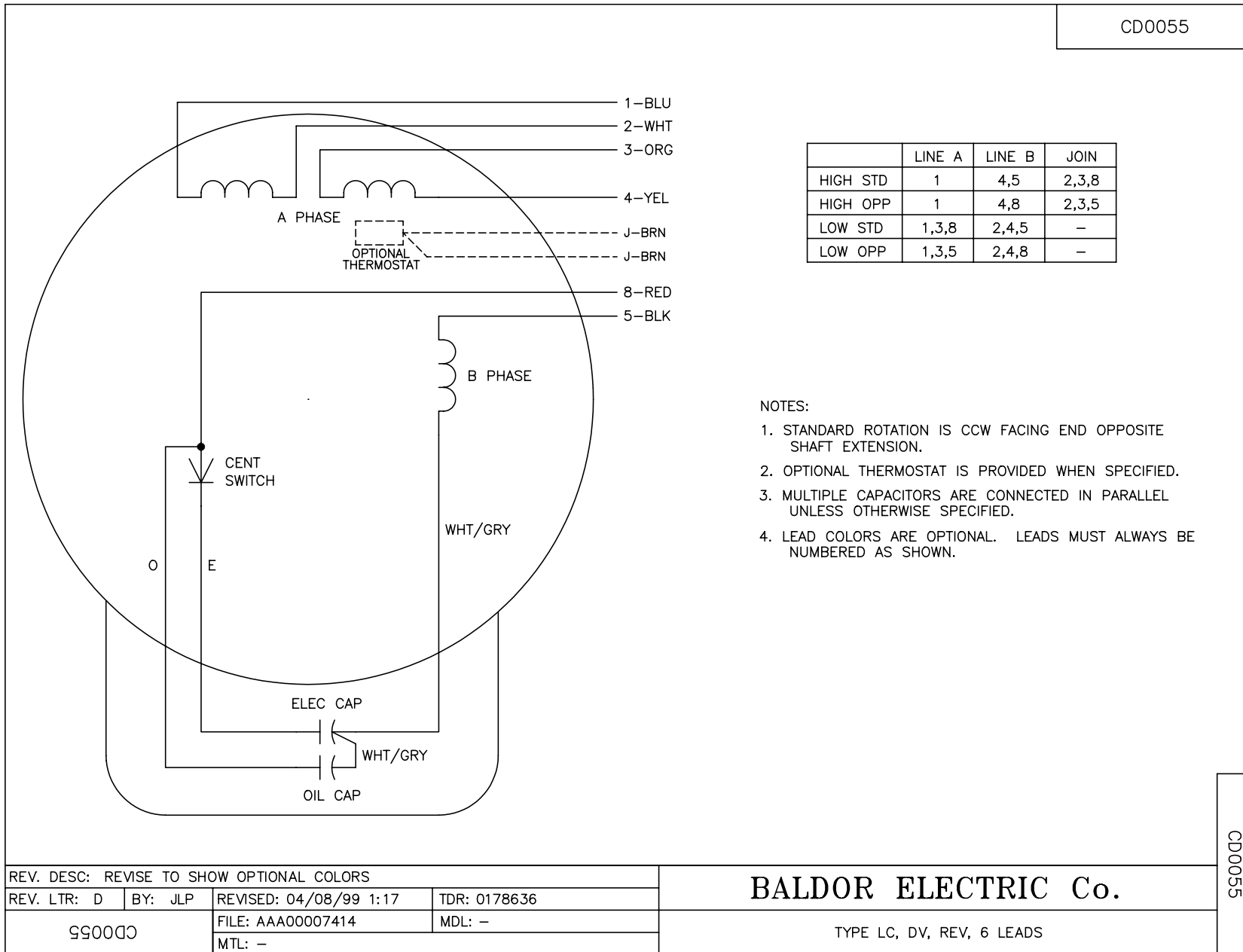
|   |                      |                              |
|---|----------------------|------------------------------|
| REV. DESC: DIM: KOBX LOC FROM ODE TO THE CENTERLINE OF KOBX |                      |                              |
| REV. LTR: C   | VERSION: 02          | TDR: 000000386903            |
| 34LYF351  | FILE: \AAA\00037\242 | REVISED: 11:20:24 01/26/2006 |
|   | MTL: -               | BY: ENMARW1                  |

**BALDOR ELECTRIC Co.**

STD HOR 34LC NEMA 48 OPEN

34LYF351

CD0055



NOTES:

1. STANDARD ROTATION IS CCW FACING END OPPOSITE SHAFT EXTENSION.
2. OPTIONAL THERMOSTAT IS PROVIDED WHEN SPECIFIED.
3. MULTIPLE CAPACITORS ARE CONNECTED IN PARALLEL UNLESS OTHERWISE SPECIFIED.
4. LEAD COLORS ARE OPTIONAL. LEADS MUST ALWAYS BE NUMBERED AS SHOWN.

|   |         |                        |              |
|---|---------|------------------------|--------------|
| REV. DESC: REVISE TO SHOW OPTIONAL COLORS |         |                        |              |
| REV. LTR: D                               | BY: JLP | REVISED: 04/08/99 1:17 | TDR: 0178636 |
| 990000                                    |         | FILE: AAA00007414      | MDL: -       |
|   |         | MTL: -                 |              |

**BALDOR ELECTRIC Co.**

TYPE LC, DV, REV, 6 LEADS

CD0055