

BALDOR • RELIANCE

Customer information packet

EL11203

.25HP, 1725RPM, 1PH, 60HZ, 48, 3411LC, OPEN, F1

Class - None

Division - Not Applicable

Specifications

Enclosure	OPEN
Frame	48
Frame Material	Steel
Frequency	60.00 Hz
Motor Letter Type	Cap Start, Cap Run
Output @ Frequency	.250 HP @ 60 HZ
Phase	1
Synchronous Speed @ Frequency	1800 RPM @ 60 HZ
Voltage @ Frequency	115.0 V @ 60 HZ 230.0 V @ 60 HZ
XP Class and Group	None
XP Division	Not Applicable
Agency Approvals	UR CSA
Ambient Temperature	40 °C
Auxillary Box	No Auxillary Box
Auxillary Box Lead Termination	None
Base Indicator	Rigid
Bearing Grease Type	Polyrex EM (-20F +300F)
Blower	None
Current @ Voltage	1.300 A @ 230.0 V 1.900 A @ 208.0 V 2.600 A @ 115.0 V
Design Code	-
Drip Cover	No Drip Cover
Duty Rating	CONT
Efficiency @ 100% Load	68.5 %
Electrically Isolated Bearing	Not Electrically Isolated
Feedback Device	NO FEEDBACK
Front Face Code	Standard
Front Shaft Indicator	None
Heater Indicator	No Heater

Part detail

Revision	J
Type	AC
Mech. spec.	34F351
Base	
Status	PRD/A
Elec. spec.	34WGR064
Layout	34LYF351
Eff. date	04-22-2021
CD Diagram	CD0055
Poles	04
Leads	6#18
Proprietary	False
Created date	02-21-2014

High Voltage Full Load Amps	1.3 a
Insulation Class	F
Inverter Code	Not Inverter
KVA Code	L
Lifting Lugs	No Lifting Lugs
Locked Bearing Indicator	No Locked Bearing
Motor Lead Exit	Ko Box
Motor Lead Quantity/Wire Size	6 @ 18 AWG
Motor Lead Termination	Flying Leads
Motor Standards	NEMA
Motor Type	3411LC
Mounting Arrangement	F1
Number of Poles	4
Overall Length	9.76 IN
Power Factor	89
Product Family	General Purpose
Pulley End Bearing Type	Ball
Pulley Face Code	Standard
Pulley Shaft Indicator	Standard
Rodent Screen	None
RoHS Status	ROHS COMPLIANT
Service Factor	1.35
Shaft Diameter	0.500 IN
Shaft Extension Location	Pulley End
Shaft Ground Indicator	No Shaft Grounding
Shaft Rotation	Reversible
Shaft Slinger Indicator	No Slinger
Speed	1725 rpm
Speed Code	Single Speed
Starting Method	Direct on line
Thermal Device - Bearing	None
Thermal Device - Winding	None
Vibration Sensor Indicator	No Vibration Sensor
Winding Thermal 1	None

Winding Thermal 2

None

Nameplate

NP3155L									
CAT.NO.	EL11203								
SPEC.	34F351R064G1								
HP	.25								
VOLTS	115/230								
AMP	2.6/1.3								
RPM	1725								
FRAME	48		HZ	60		PH	1		
SER.F.	1.35	CODE	L	DES	-	CL	F		
F.L. AVG. EFF.	68.5	PF	89						
RATING	40C AMB-CONT								
CC			USABLE AT 208V				1.9		
DE	6203	ODE	6203						
ENCL	OPEN	SN							
	SFA 3.4/1.7								

AC Induction Motor Performance Data

Record # 47364

Typical performance - not guaranteed values

Winding: 34WGR064-R001		Type: 3411LC	Enclosure: OPEN	
Nameplate Data			115 V, 60 Hz: Low Voltage Connection	
Rated Output (HP)	.25	Full Load Torque	0.754 LB-FT	
Volts	115/230	Start Configuration	direct on line	
Full Load Amps	2.6/1.3	Breakdown Torque	1.86 LB-FT	
R.P.M.	1725	Pull-up Torque	1.57 LB-FT	
Hz	60 Phase	1	Locked-rotor Torque	2.48 LB-FT
NEMA Design Code	- KVA Code	L	Starting Current	20.3 A
Service Factor (S.F.)		1.35	No-load Current	1.53 A
NEMA Nom. Eff.	68.5 Power Factor	89	Line-line Res. @ 25°C	3.4881 Ω A Ph 6.3165 Ω B Ph
Rating - Duty		40C AMB-CONT	Temp. Rise @ Rated Load	27°C
S.F. Amps		3.7/1.7	Temp. Rise @ S.F. Load	34°C

Load Characteristics 115 V, 60 Hz, 0.25 HP

% of Rated Load	25	50	75	100	125	150	S.F.
Power Factor	67	79	85	90	92	94	93
Efficiency	37.2	55.5	65.1	69.7	71.4	71.1	71.3
Speed	1783.6	1770.8	1755.8	1739.1	1717.7	1691.5	1707
Line amperes	1.63	1.85	2.18	2.59	3.1	3.69	3.34

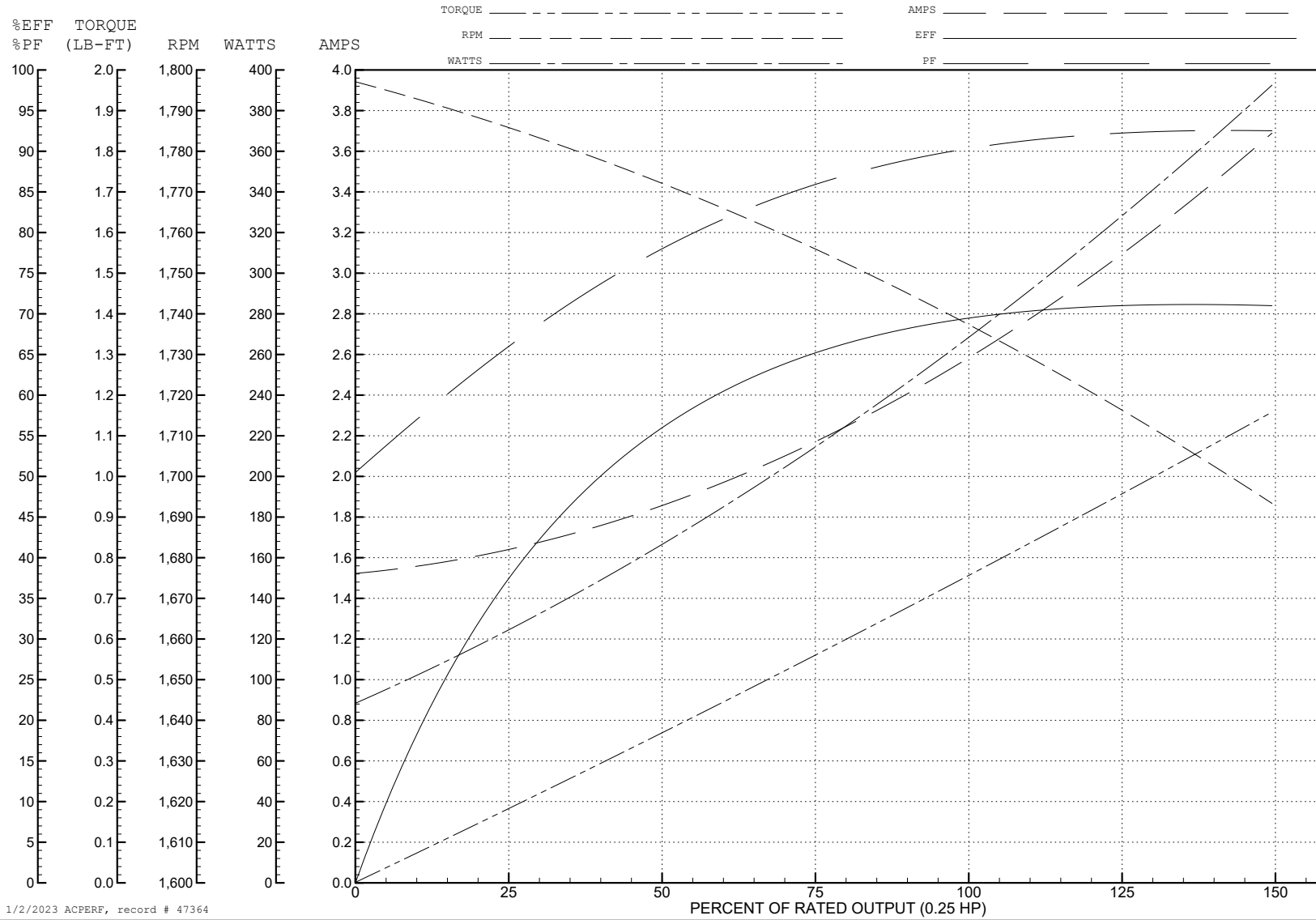
ABB Motors and Mechanical Inc.

WINDING # 34WGR064

Typical performance - not guaranteed values.

0.25 HP 1 PH 60 HZ 1725 RPM 115 V 3411LC

TORQUES (LB-FT): PO=1.86 PU=1.57 LR=2.48 LRA=20.3



1/2/2023 ACPERF, record # 47364

AC Induction Motor Performance Data

Record # 49831

Typical performance - not guaranteed values

Winding: 34WGR064-R001		Type: 3411LC	Enclosure: OPEN	
Nameplate Data			230 V, 60 Hz: High Voltage Connection	
Rated Output (HP)	.25	Full Load Torque	0.753 LB-FT	
Volts	115/230	Start Configuration	direct on line	
Full Load Amps	2.6/1.3	Breakdown Torque	1.88 LB-FT	
R.P.M.	1725	Pull-up Torque	1.23 LB-FT	
Hz	60 Phase	1	Locked-rotor Torque	1.94 LB-FT
NEMA Design Code	- KVA Code	L	Starting Current	9.92 A
Service Factor (S.F.)	1.35	No-load Current	0.836 A	
NEMA Nom. Eff.	68.5 Power Factor	89	Line-line Res. @ 25°C	3.39 Ω A Ph 6.4 Ω B Ph
Rating - Duty	40C AMB-CONT	Temp. Rise @ Rated Load	30°C	
S.F. Amps	3.4/1.7	Temp. Rise @ S.F. Load	36°C	
		Rotor inertia	0.0261 LB-FT ²	

Load Characteristics 230 V, 60 Hz, 0.25 HP

% of Rated Load	25	50	75	100	125	150	S.F.
Power Factor	67	79	86	90	92	93	92
Efficiency	34.6	52.7	62.8	67.9	69.9	69.7	69.8
Speed	1784	1771	1756	1740	1718	1692	1708
Line amperes	0.871	0.97	1.13	1.33	1.58	1.87	1.7

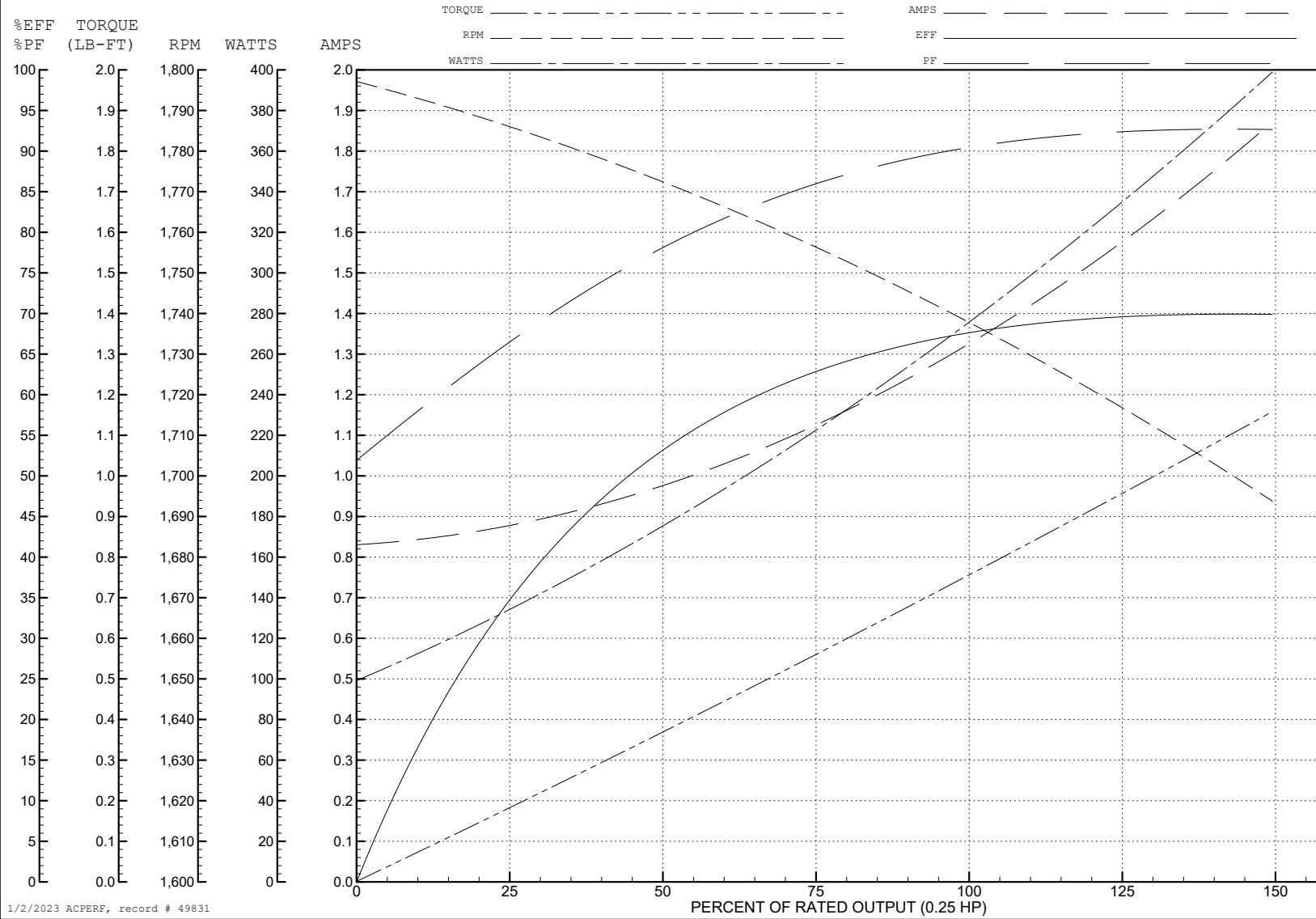
ABB Motors and Mechanical Inc.

WINDING # 34WGR064

Typical performance - not guaranteed values.

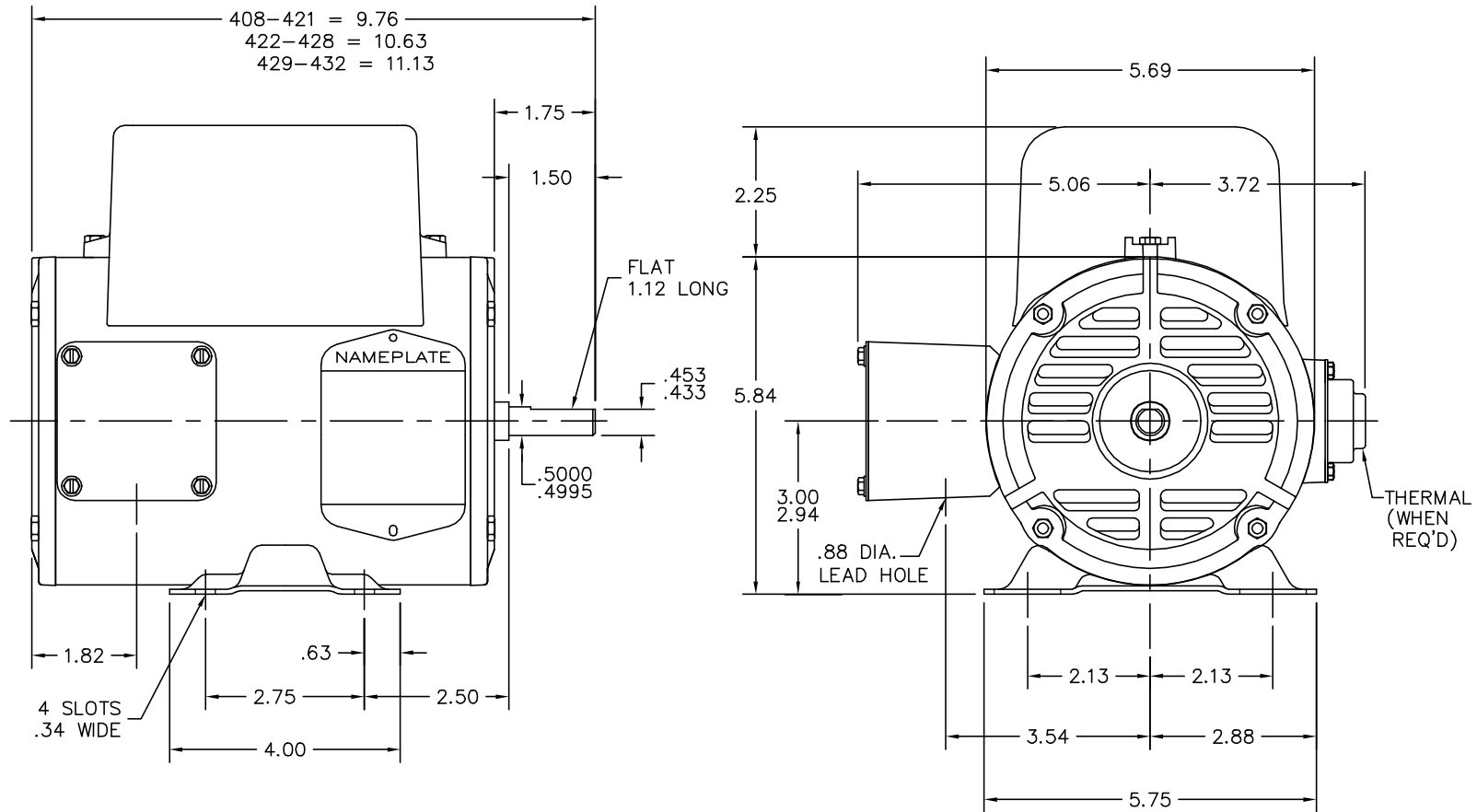
0.25 HP 1 PH 60 HZ 1725 RPM 230 V 3411LC

TORQUES (LB-FT): PO=1.88 PU=1.23 LR=1.94 LRA=9.92



1/2/2023 ACPERF, record # 49831

34LYF351



CUSTOMER IS RESPONSIBLE FOR DETERMINING THAT MOTOR PERFORMANCE IS SUITABLE IN THE APPLICATION.

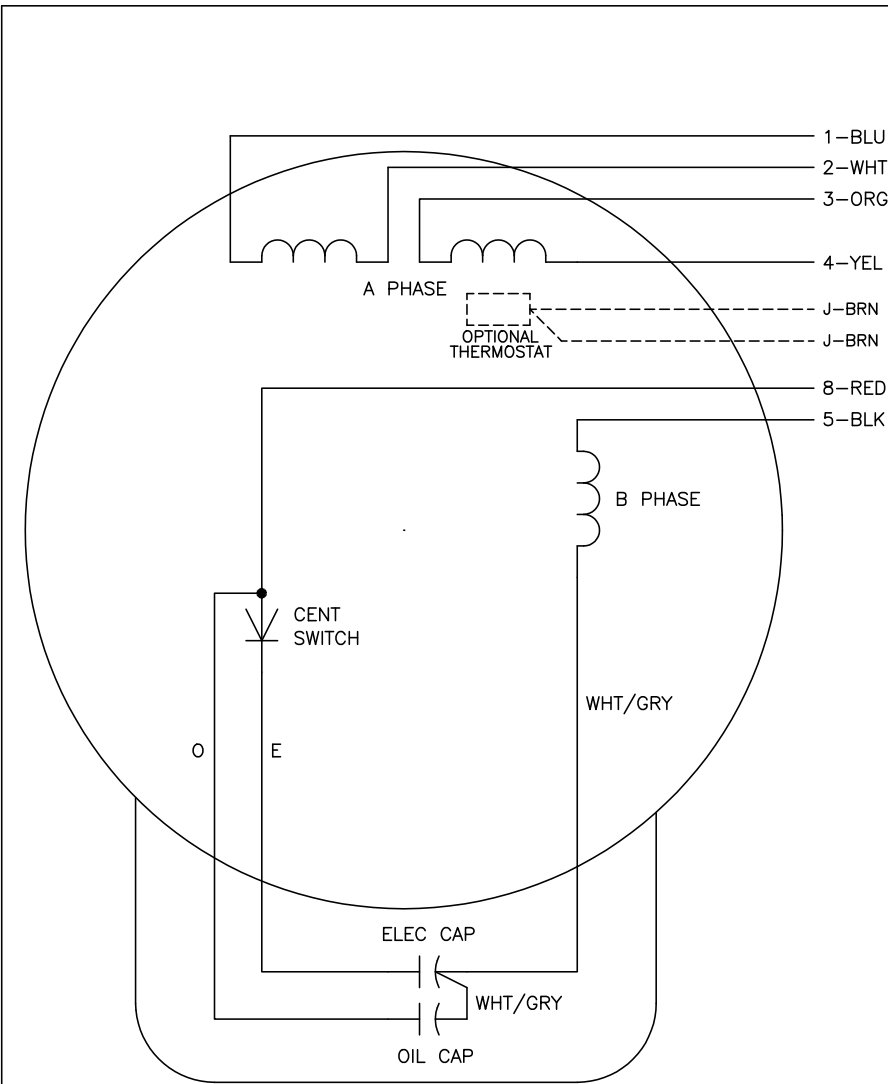
REV. DESC: DIM: KOBX LOC FROM ODE TO THE CENTERLINE OF KOBX		
REV. LTR: C	VERSION: 02	TDR: 000000386903
34LYF351	FILE: \AAA\00037\242	REVISED: 11:20:24 01/26/2006
	MTL: -	BY: ENMARW1

BALDOR ELECTRIC Co.

STD HOR 34LC NEMA 48 OPEN

34LYF351

CD0055



	LINE A	LINE B	JOIN
HIGH STD	1	4,5	2,3,8
HIGH OPP	1	4,8	2,3,5
LOW STD	1,3,8	2,4,5	-
LOW OPP	1,3,5	2,4,8	-

NOTES:

1. STANDARD ROTATION IS CCW FACING END OPPOSITE SHAFT EXTENSION.
2. OPTIONAL THERMOSTAT IS PROVIDED WHEN SPECIFIED.
3. MULTIPLE CAPACITORS ARE CONNECTED IN PARALLEL UNLESS OTHERWISE SPECIFIED.
4. LEAD COLORS ARE OPTIONAL. LEADS MUST ALWAYS BE NUMBERED AS SHOWN.

CD0055

REV. DESC: REVISE TO SHOW OPTIONAL COLORS			
REV. LTR: D	BY: JLP	REVISED: 04/08/99 1:17	TDR: 0178636
C00000		FILE: AAA00007414	MDL: -
		MTL: -	

BALDOR ELECTRIC Co.

TYPE LC, DV, REV, 6 LEADS