

BALDOR • RELIANCE

Customer information packet

EFM4404T

75HP, 1185RPM, 3PH, 60HZ, 405T, TEFC, FOOT, F2

Class - None

Division - Not Applicable

Copyright © All product information within this document is subject to ABB Motors and Mechanical Inc. copyright © protection, unless otherwise noted.

1/2/2023 12:13:08 PM

Specifications

Enclosure	TEFC
Frame	405T
Frame Material	Iron
Frequency	60.00 Hz
Motor Letter Type	Three Phase
Output @ Frequency	75.000 HP @ 60 HZ
Phase	3
Synchronous Speed @ Frequency	1200 RPM @ 60 HZ
Voltage @ Frequency	230.0 V @ 60 HZ 460.0 V @ 60 HZ
XP Class and Group	None
XP Division	Not Applicable
Agency Approvals	CSA EEV CCSA US
Ambient Temperature	40 °C
Auxillary Box	No Auxillary Box
Base Indicator	Rigid
Bearing Grease Type	Polyrex EM (-20F +300F)
Current @ Voltage	173.800 A @ 230.0 V 86.900 A @ 460.0 V
Design Code	B
Drip Cover	No Drip Cover
Duty Rating	CONT
Efficiency @ 100% Load	95.0 %
Feedback Device	NO FEEDBACK
Heater Indicator	No Heater
High Voltage Full Load Amps	86.9 a
Insulation Class	B
Inverter Code	Inverter Ready
KVA Code	G
Lifting Lugs	Standard Lifting Lugs
Motor Lead Quantity/Wire Size	3 @ 2 AWG

Part detail

Revision	L
Type	AC
Mech. spec.	
Base	
Status	PRD/A
Elec. spec.	A40WG0770
Layout	617429-629
Eff. date	02-18-2022
CD Diagram	416820-002
Poles	06
Leads	3#2,6#4
Proprietary	False
Created date	06-07-2014

Motor Standards	NEMA
Motor Type	A40064M
Mounting Arrangement	F2
Number of Poles	6
Overall Length	38.04 IN
Power Factor	85
Product Family	General Industrial
Pulley End Bearing Type	Ball
Pulley Face Code	Standard
Service Factor	1.15
Shaft Ground Indicator	No Shaft Grounding
Shaft Rotation	Reversible
Shaft Slinger Indicator	No Slinger
Speed	1185 rpm
Speed Code	Single Speed
Starting Method	Direct on line
Thermal Device - Bearing	None
Thermal Device - Winding	None

Nameplate

NP2383L

CAT.NO.	EFM4404T	SPEC NO.	A40-6087-1503						
HP	75	AMPS	174/86.9		VOLTS	230/460	DESIGN	B	
FRAME	405T	RPM	1185	HZ	60	AMB	40	SF	1.15
DRIVE END BEARING	80BC03J30X	PHASE	3	DUTY	CONT	INSUL.CLASS	F		
OPP D.E. BEARING	80BC03J30X	TYPE	P	ENCL	TEFC	CODE	G		
SER.NO.		POWER FACTOR	85		NEMA-NOM-EFFICIENCY	95			
NEMA NOM/CSA QUOTED EFF		MAX CORR KVAR	15	GUARANTEED EFFICIENCY	94.1				
		MOTOR WEIGHT	1212						

NP2496L

MOBIL POLYREX EM

617429-629

ENCLOSURE: TOTALLY ENCLOSED

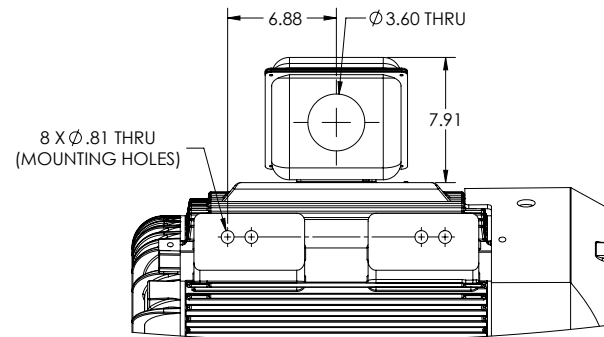
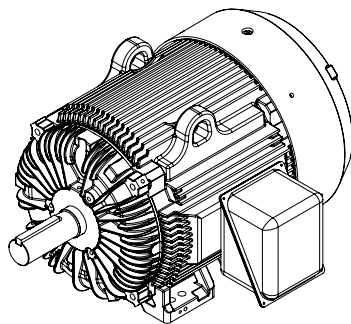
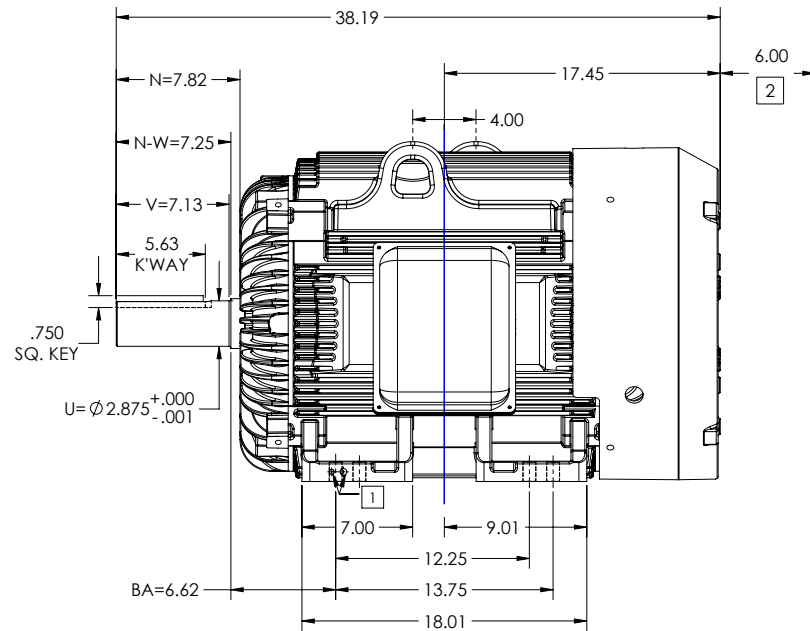
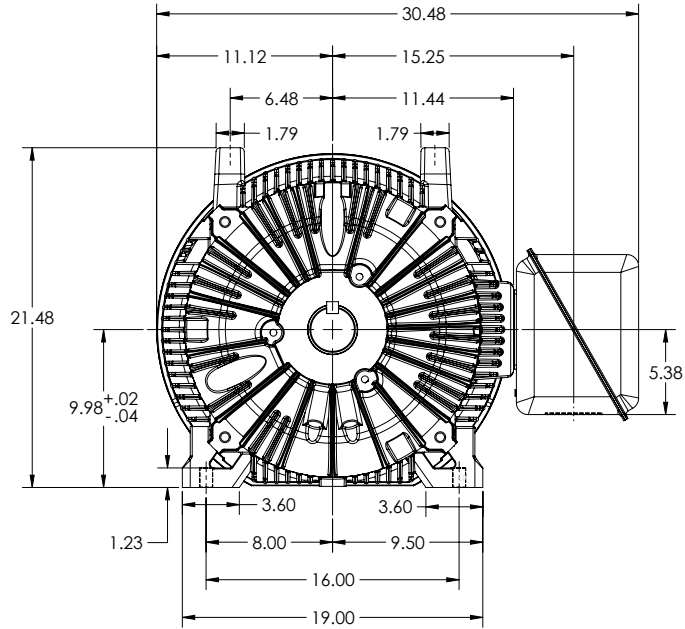
MOUNTING: FOOT, F-2

DUTY MASTER ALTERNATING CURRENT MOTORS

SQUIRREL-CAGE INDUCTION

G405T/G404T FRAME MOUNTING HOLES

COOLING: FAN COOLED



SHEET NUMBER
1 OF 1
629-629-119

1. GROUND HOLES QTY 1 1/2-13 TAP; QTY 1 3/8-16 TAP
 2. OBSTRUCTION MUST NOT ENCR OACH ON AIR INLET
- IF MOUNTING CLEARANCE DETAILS ARE REQUIRED, CONSULT FACTORY.
MAX PERMISSIBLE SHAFT RUNOUT WHEN MEASURED AT END OF STANDARD SHAFT EXTENSION IS .003" T.I.R.

DIMENSIONS ARE IN INCHES
WEIGHT (LBS): 1350. MOTOR WEIGHTS MAY VARY BY 15% DEPENDING ON RATING.
CUSTOMER IS RESPONSIBLE FOR DETERMINING THAT MOTOR PERFORMANCE IS SUITABLE IN THE APPLICATION.

REV. A	VERSION: 01	REVISED: 10-32-51 10/25/2016	TDR: 00001000817
MODEL NO. 617429-629	BY: USJEDIL	Material:	REF:

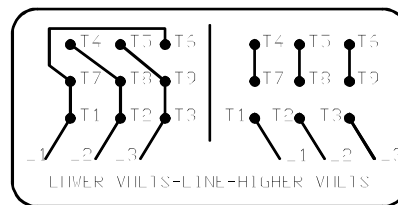
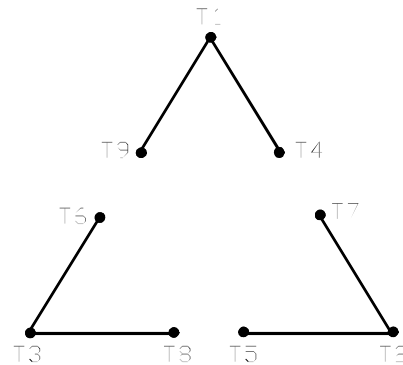
BALDOR

G405T/404T TEFC F2 FOOTED STD ENCLOSURE W/ STEEL BOX

617429-629

416820-002

A-C MOTOR
 CONNECTION DIAGRAM
 STANDARD 9 LEAD DELTA-CONNECTED



(N.P. 1575-B)

416820-002

REV. DESC: FONT CHANGE FOR PDF SEARCHABLE		
REV. LTR: A	VERSION: 01	TDR: 000001009382
FILE: \MGA\00000\661	REVISED: 02:46:19 02/13/2020	BY: MGHMTT
MTL: -	© □	

BALDOR - RELIANCE®

CONN DIAG - STANDARD 9 LEAD, DELTA-CONNECTED

SH 1 of 1