

BALDOR • RELIANCE

Customer information packet

EFM4403T

60HP, 1185RPM, 3PH, 60HZ, 404T, TEFC, FOOT, F2

Class - None

Division - Not Applicable

Specifications

Enclosure	TEFC
Frame	404T
Frame Material	Iron
Frequency	60.00 Hz
Motor Letter Type	Three Phase
Output @ Frequency	60.000 HP @ 60 HZ
Phase	3
Synchronous Speed @ Frequency	1200 RPM @ 60 HZ
Voltage @ Frequency	230.0 V @ 60 HZ 460.0 V @ 60 HZ
XP Class and Group	None
XP Division	Not Applicable
Agency Approvals	CSA EEV CCSA US
Ambient Temperature	40 °C
Auxillary Box	No Auxillary Box
Base Indicator	Rigid
Bearing Grease Type	Polyrex EM (-20F +300F)
Current @ Voltage	138.000 A @ 230.0 V 69.000 A @ 460.0 V
Design Code	B
Drip Cover	No Drip Cover
Duty Rating	CONT
Efficiency @ 100% Load	95.0 %
Feedback Device	NO FEEDBACK
Heater Indicator	No Heater
High Voltage Full Load Amps	69.0 a
Insulation Class	F
Inverter Code	Inverter Ready
KVA Code	G
Lifting Lugs	Standard Lifting Lugs
Motor Lead Quantity/Wire Size	3 @ 4 AWG

Part detail

Revision	K
Type	AC
Mech. spec.	
Base	
Status	PRD/A
Elec. spec.	A40WG0108
Layout	617429-001
Eff. date	02-18-2022
CD Diagram	416820-002
Poles	06
Leads	3#4,6#6
Proprietary	False
Created date	06-07-2014

Motor Standards	NEMA
Motor Type	A40064M
Mounting Arrangement	F2
Number of Poles	6
Overall Length	38.04 IN
Power Factor	86
Product Family	General Industrial
Pulley End Bearing Type	Ball
Pulley Face Code	Standard
Service Factor	1.15
Shaft Ground Indicator	No Shaft Grounding
Shaft Rotation	Reversible
Shaft Slinger Indicator	No Slinger
Speed	1185 rpm
Speed Code	Single Speed
Starting Method	Direct on line
Thermal Device - Bearing	None
Thermal Device - Winding	None

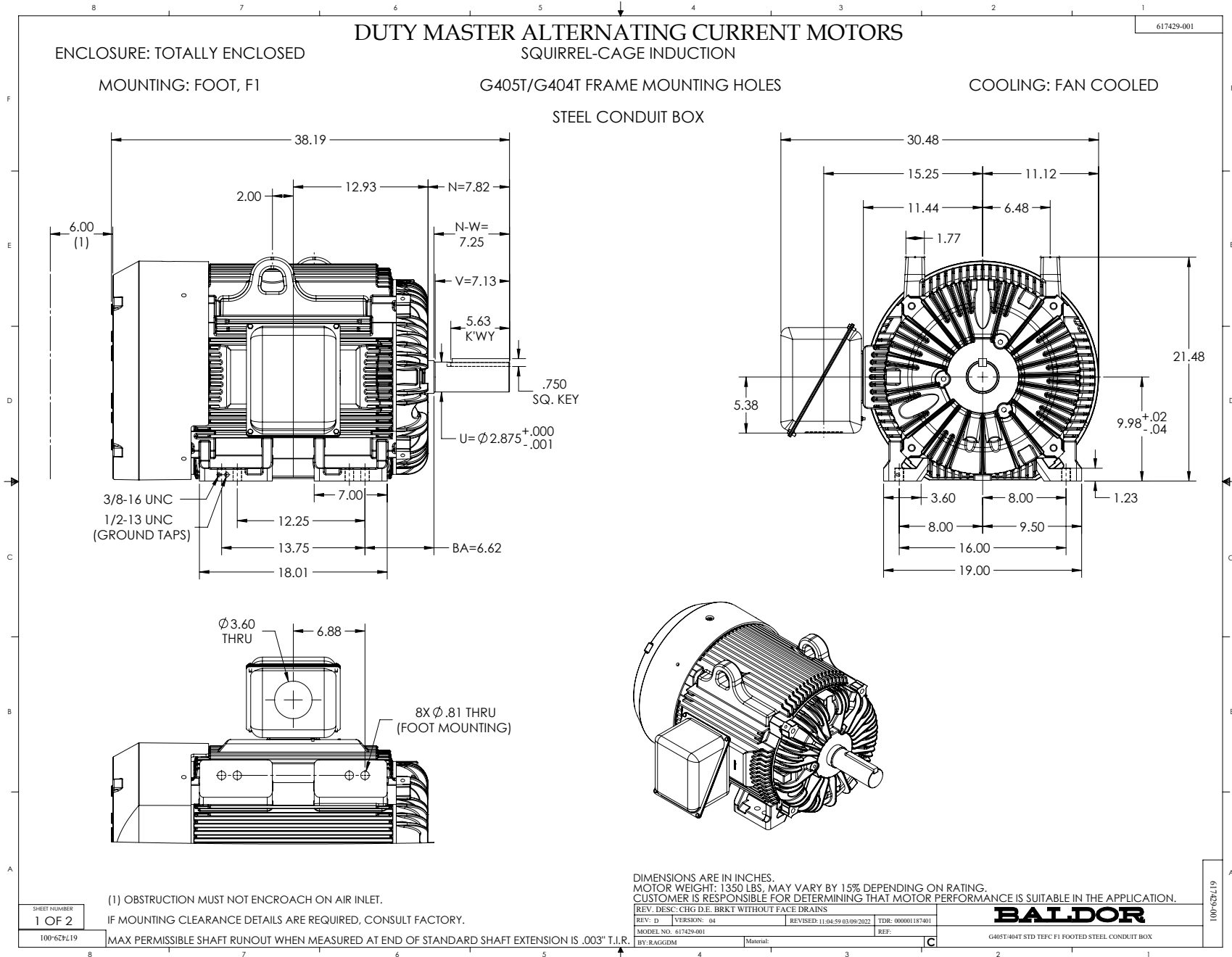
Nameplate

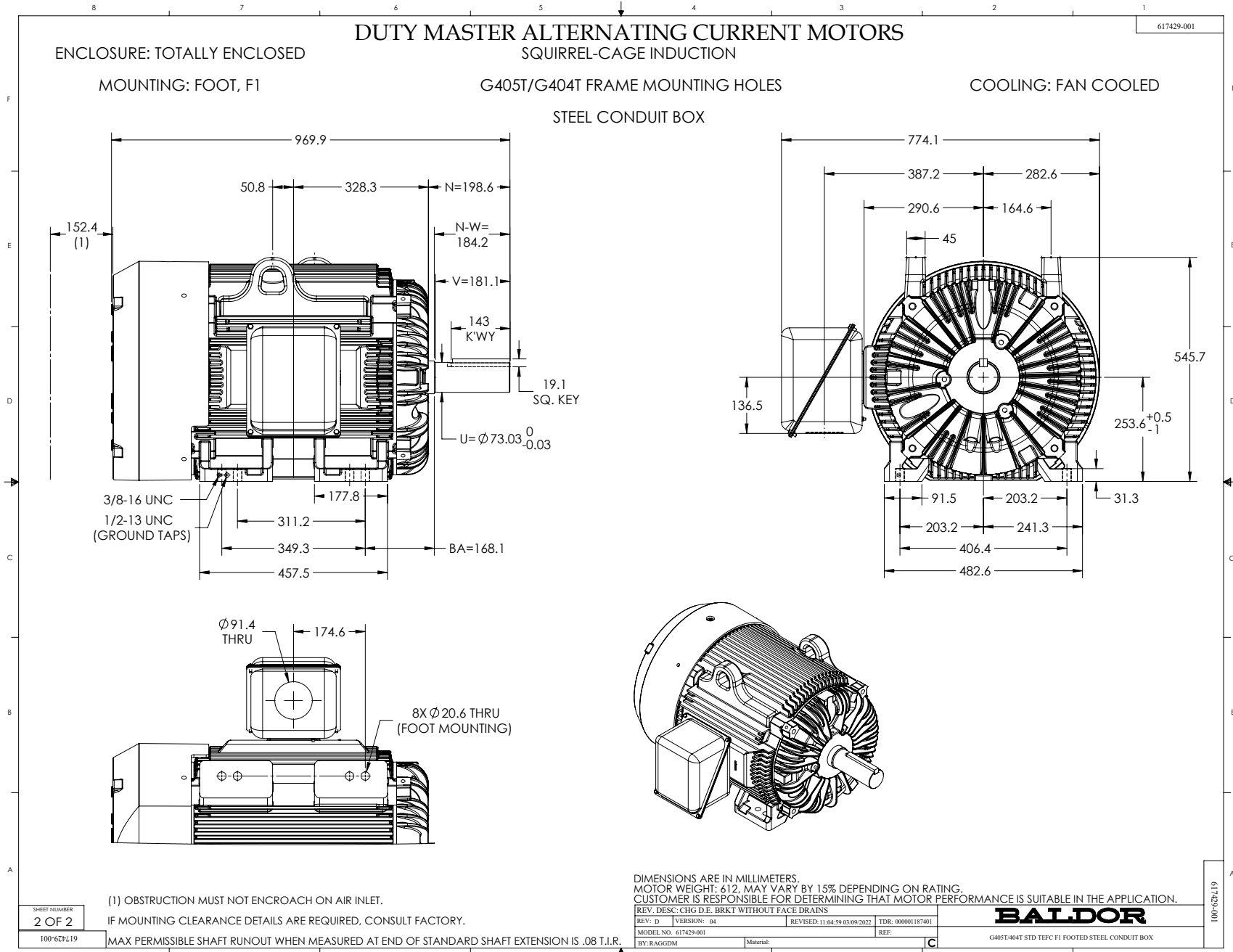
NP2383L

CAT.NO.	EFM4403T	SPEC NO.	A40-6088-0108						
HP	60	AMPS	138/69		VOLTS	230/460	DESIGN	B	
FRAME	404T	RPM	1185	HZ	60	AMB	40	SF	1.15
DRIVE END BEARING	80BC03J30X	PHASE	3	DUTY	CONT	INSUL.CLASS	F		
OPP D.E. BEARING	80BC03J30X	TYPE	P	ENCL	TEFC	CODE	G		
SER.NO.		POWER FACTOR	86		NEMA-NOM-EFFICIENCY	95			
NEMA NOM/CSA QUOTED EFF		MAX CORR KVAR	12.5	GUARANTEED EFFICIENCY	94.1				
		MOTOR WEIGHT							

NP2496L

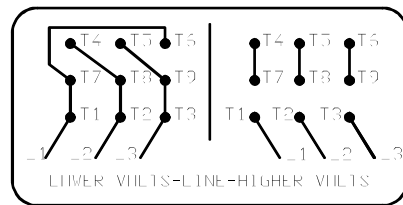
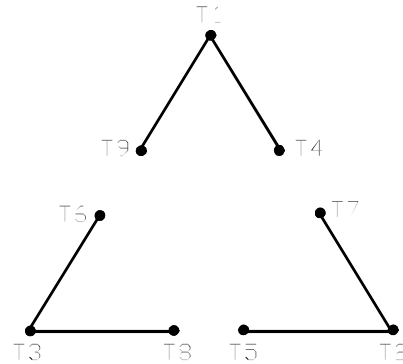
MOBIL POLYREX EM





416820-002

A-C MOTOR
 CONNECTION DIAGRAM
 STANDARD 9 LEAD DELTA-CONNECTED



(N.P. 1575-B)

416820-002

REV. DESC: FONT CHANGE FOR PDF SEARCHABLE		
REV. LTR: A	VERSION: 01	TDR: 000001009382
FILE: \MGA\00000\661	REVISED: 02:46:19 02/13/2020	BY: MGHMTT
MTL: -	© □	

BALDOR - RELIANCE®

CONN DIAG - STANDARD 9 LEAD, DELTA-CONNECTED

SH 1 of 1