



Customer information packet

EFM3218T-8

5HP, 1750RPM, 3PH, 60HZ, 184T, 3640M, OPSB, F2

Class - None

Division - Not Applicable

Specifications

Enclosure	OPSB
Frame	184T
Frame Material	Steel
Frequency	60.00 Hz
Motor Letter Type	Three Phase
Output @ Frequency	5.000 HP @ 60 HZ
Phase	3
Synchronous Speed @ Frequency	1800 RPM @ 60 HZ
Voltage @ Frequency	200.0 V @ 60 HZ
XP Class and Group	None
XP Division	Not Applicable
Agency Approvals	CSA CSA EEV NEMA PREMIUM UR
Ambient Temperature	40 °C
Auxillary Box	No Auxillary Box
Auxillary Box Lead Termination	None
Base Indicator	Rigid
Bearing Grease Type	Polyrex EM (-20F +300F)
Blower	None
Current @ Voltage	15.300 A @ 200.0 V
Design Code	B
Drip Cover	No Drip Cover
Duty Rating	CONT
Efficiency @ 100% Load	89.5 %
Electrically Isolated Bearing	Not Electrically Isolated
Feedback Device	NO FEEDBACK
Front Face Code	Standard
Front Shaft Indicator	None
Heater Indicator	No Heater
High Voltage Full Load Amps	15.3 a

Part detail

Revision	M
Type	AC
Mech. spec.	36B106
Base	
Status	PRD/A
Elec. spec.	36WGS761
Layout	36LYB106
Eff. date	06-24-2020
CD Diagram	CD0006
Poles	04
Leads	3#14
Proprietary	False
Created date	06-29-2011

Insulation Class	F
Inverter Code	Inverter Ready
KVA Code	J
Lifting Lugs	No Lifting Lugs
Locked Bearing Indicator	No Locked Bearing
Motor Lead Exit	Ko Box
Motor Lead Quantity/Wire Size	3 @ 14 AWG
Motor Lead Termination	Flying Leads
Motor Standards	NEMA
Motor Type	3640M
Mounting Arrangement	F2
Number of Poles	4
Overall Length	16.50 IN
Power Factor	80
Product Family	General Purpose
Pulley End Bearing Type	Ball
Pulley Face Code	Standard
Pulley Shaft Indicator	Standard
Rodent Screen	None
Service Factor	1.15
Shaft Diameter	1.125 IN
Shaft Extension Location	Pulley End
Shaft Ground Indicator	No Shaft Grounding
Shaft Rotation	Reversible
Shaft Slinger Indicator	No Slinger
Speed	1750 rpm
Speed Code	Single Speed
Starting Method	Direct on line
Thermal Device - Bearing	None
Thermal Device - Winding	None
Vibration Sensor Indicator	No Vibration Sensor
Winding Thermal 1	None
Winding Thermal 2	None

Nameplate

NP3553L									
CAT.NO.	EFM3218T-8								
SPEC	36B106S761G1								
HP	5								
VOLTS	200								
AMPS	15.3								
RPM	1750								
FRAME	184T		HZ	60		PH	3		
SF	1.15	CODE	J	DES	B	CLASS	F		
NEMA NOM. EFF	89.5	PF	80						
RATING	40C AMB-CONT								
CC	010A		USABLE AT 208V						
ENCL	OPSB	SER							
DE	6206	ODE	6205						
VPWM INVERTER READY									
CT30-60(2:1) VT3-60(20:1)									

Accessories

Part number	Description	Multiplier
36-3403	C FACE KIT	A8
36EP1405A09SP	D-FLANGE KIT	A8

AC Induction Motor Performance Data

Record # 34572

Typical performance - not guaranteed values

Winding: 36WGS761-R001		Type: 3640M		Enclosure: OPSB	
Nameplate Data			200 V, 60 Hz: Single Voltage Motor		
Rated Output (HP)	5	Full Load Torque	15 LB-FT		
Volts	200	Start Configuration	direct on line		
Full Load Amps	15.3	Breakdown Torque	45.6 LB-FT		
R.P.M.	1750	Pull-up Torque	26 LB-FT		
Hz	60	Locked-rotor Torque	30.7 LB-FT		
NEMA Design Code	B	Starting Current	105 A		
Service Factor (S.F.)	1.15	No-load Current	7.02 A		
NEMA Nom. Eff.	89.5	Line-line Res. @ 25°C	0.494 Ω		
Rating - Duty	40C	Temp. Rise @ Rated Load	44°C		
S.F. Amps	AMB-CONT	Temp. Rise @ S.F. Load	54°C		
		Locked-rotor Power Factor	41.1		
		Rotor inertia	0.372 LB-FT ²		

Load Characteristics 200 V, 60 Hz, 5 HP

% of Rated Load	25	50	75	100	125	150	S.F.
Power Factor	42	63	74	79	83	84	81
Efficiency	84.1	89	89.8	89.5	88.3	86.2	88.8
Speed	1789	1779	1767	1754	1740	1723	1746
Line amperes	7.84	9.68	12.2	15.2	18.6	22.3	17.2

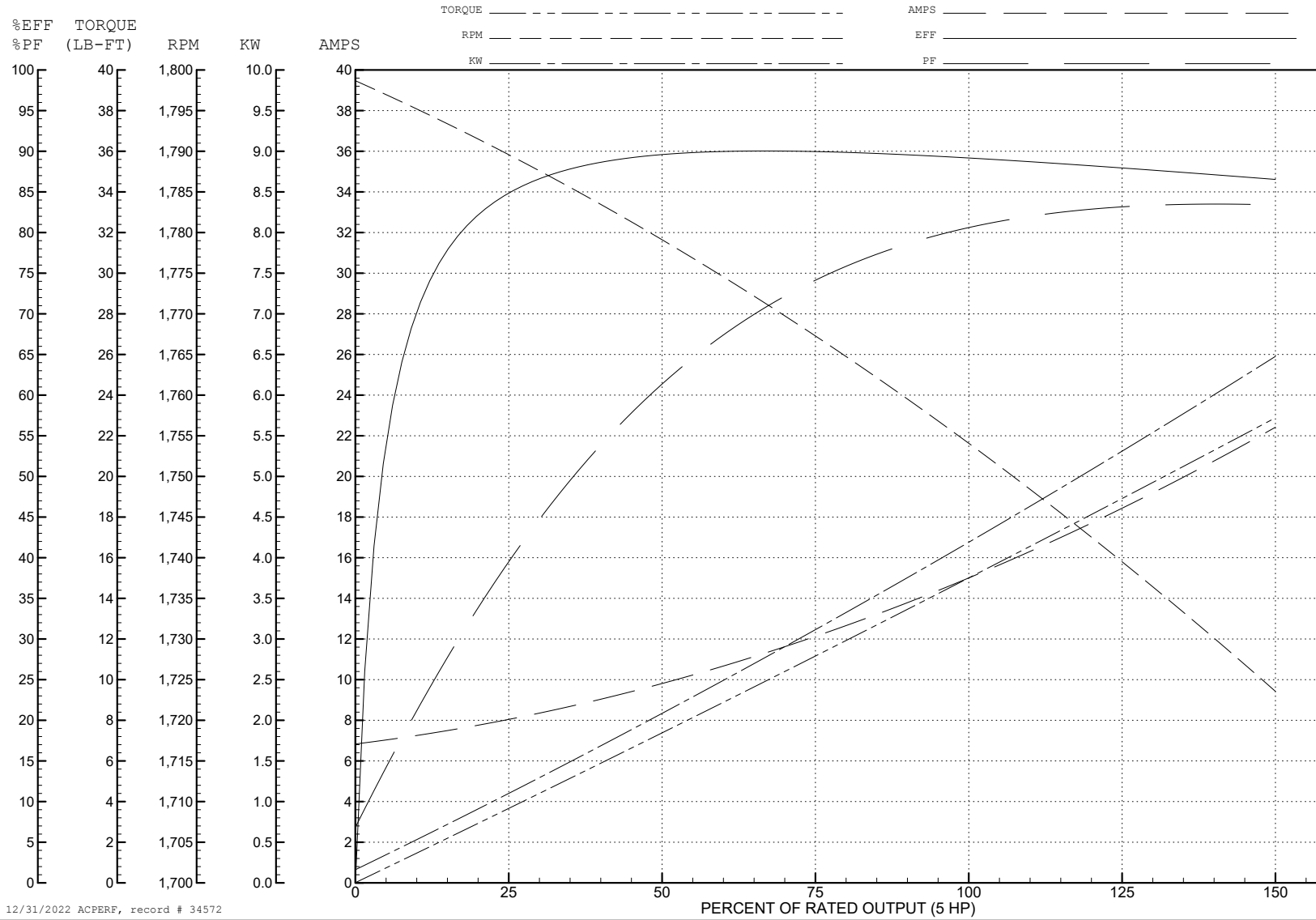
ABB Motors and Mechanical Inc.

WINDING # 36WGS761

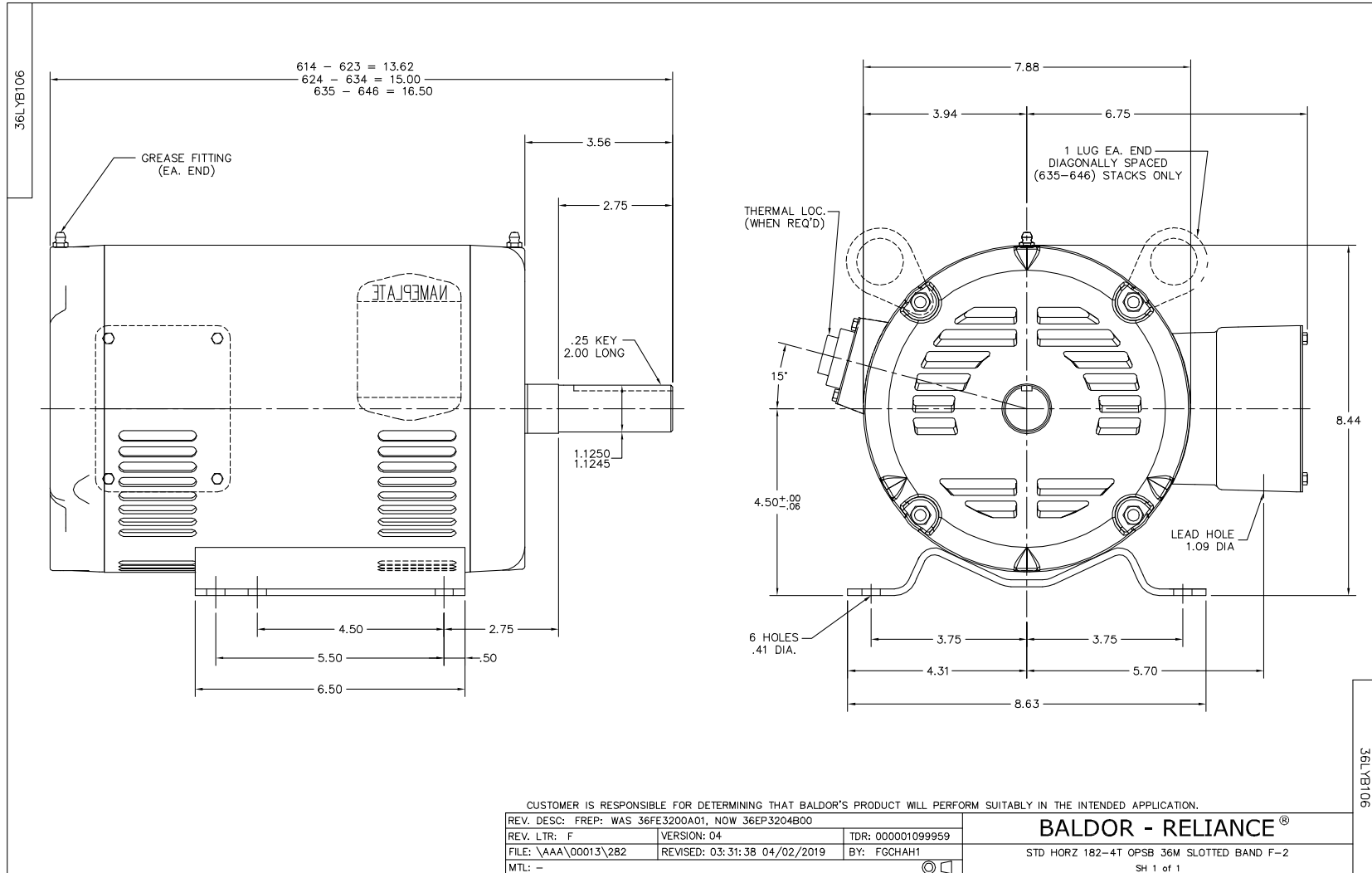
5 HP 3 PH 60 HZ 1750 RPM 200 V 3640M

Typical performance - not guaranteed values.

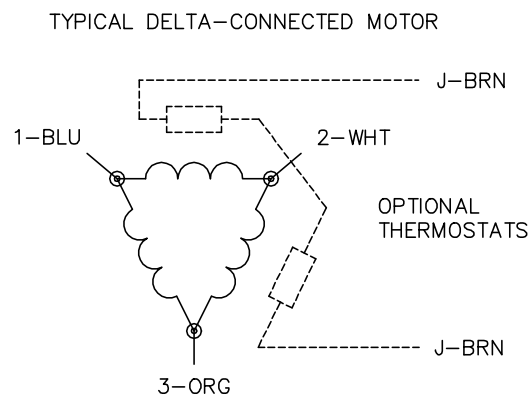
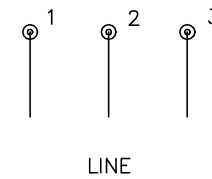
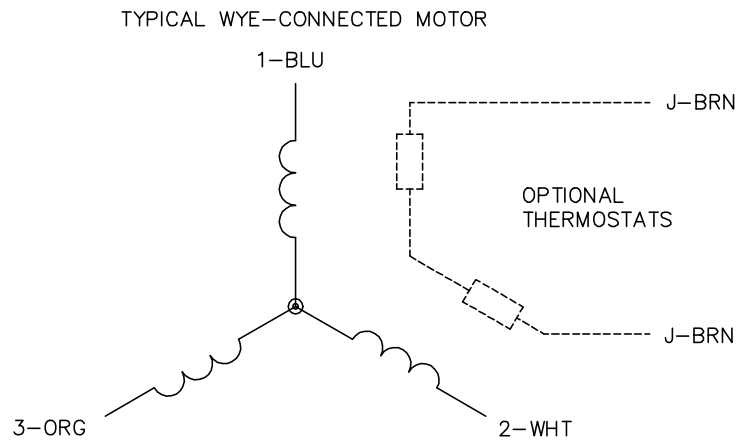
TORQUES (LB-FT): PO=45.6 PU=26 LR=30.7 LRA=105



12/31/2022 ACPERF, record # 34572



CD0006



NOTES:

1. THREE LEAD MOTOR MAY BE EITHER WYE CONNECTED OR DELTA CONNECTED.
2. INTERCHANGE ANY TWO LINE LEADS TO REVERSE ROTATION.
3. OPTIONAL THERMOSTATS ARE PROVIDED WHEN SPECIFIED.
4. ACTUAL NUMBER OF INTERNAL PARALLEL CIRCUITS MAY VARY.
5. LEAD COLORS ARE OPTIONAL. LEADS MUST BE NUMBERED AS SHOWN.

CD0006

REV. DESC: ADD CLASS CONN00000007		
REV. LTR: E	VERSION: 01	TDR: 000001099922
FILE: \AAA\00005\141	REVISED: 10:24:49 02/19/2019	BY: ENBRIRO
MTL: -	© □	

BALDOR - RELIANCE®

3PH, SV, 3 LEADS, WYE OR DELTA CONNECTED

SH 1 of 1