



Customer information packet

EFM3157T-8

2HP, 1755RPM, 3PH, 60HZ, 145T, 3528M, OPSB, F2

Class - None

Division - Not Applicable

Specifications

Enclosure	OPSB
Frame	145T
Frame Material	Steel
Frequency	60.00 Hz
Motor Letter Type	Three Phase
Output @ Frequency	2.000 HP @ 60 HZ
Phase	3
Synchronous Speed @ Frequency	1800 RPM @ 60 HZ
Voltage @ Frequency	200.0 V @ 60 HZ
XP Class and Group	None
XP Division	Not Applicable
Agency Approvals	CSA EEV UR NEMA_PREMIUM NEMA PREMIUM
Ambient Temperature	40 °C
Auxillary Box	No Auxillary Box
Auxillary Box Lead Termination	None
Base Indicator	Rigid
Bearing Grease Type	Polyrex EM (-20F +300F)
Blower	None
Current @ Voltage	6.500 A @ 208.0 V 6.000 A @ 200.0 V
Design Code	B
Drip Cover	No Drip Cover
Duty Rating	CONT
Efficiency @ 100% Load	86.5 %
Electrically Isolated Bearing	Not Electrically Isolated
Feedback Device	NO FEEDBACK
Front Shaft Indicator	None
Heater Indicator	No Heater
High Voltage Full Load Amps	6.0 a

Part detail

Revision	A
Type	AC
Mech. spec.	35QQ188
Base	
Status	PRD/A
Elec. spec.	35WGG112
Layout	35LYQQ188
Eff. date	07-14-2022
CD Diagram	CD0006
Poles	04
Leads	3#18
Proprietary	False
Created date	01-10-2022

Insulation Class	F
Inverter Code	Not Inverter
KVA Code	K
Lifting Lugs	No Lifting Lugs
Locked Bearing Indicator	No Locked Bearing
Motor Lead Quantity/Wire Size	3 @ 18 AWG
Motor Lead Termination	Flying Leads
Motor Standards	NEMA
Motor Type	3528M
Mounting Arrangement	F2
Number of Poles	4
Overall Length	12.13 IN
Power Factor	82
Product Family	General Purpose
Pulley End Bearing Type	Ball
Pulley Face Code	Standard
Pulley Shaft Indicator	Standard
Rodent Screen	None
Service Factor	1.15
Shaft Diameter	0.875 IN
Shaft Ground Indicator	No Shaft Grounding
Shaft Rotation	Reversible
Shaft Slinger Indicator	No Slinger
Speed	1755 rpm
Speed Code	Single Speed
Starting Method	Direct on line
Thermal Device - Bearing	None
Thermal Device - Winding	None
Vibration Sensor Indicator	No Vibration Sensor
Winding Thermal 1	None
Winding Thermal 2	None

Nameplate

NP3553L									
CAT.NO.	EFM3157T-8								
SPEC	35QQ188G112								
HP	2								
VOLTS	200								
AMPS	6								
RPM	1755								
FRAME	145T		HZ	60		PH	3		
SF	1.15	CODE	K	DES	B	CLASS	F		
NEMA NOM. EFF	86.5	PF	82						
RATING	40C AMB-CONT								
CC	010A		USABLE AT 208V				6.5		
ENCL	OPSB	SER							
DE	6205	ODE	6203						
VPWM INVERTER READY	SFA 7.13								
CT30-60(2:1) VT3-60(20:1)									

Accessories

Part number	Description	Multiplier
35-8764	C FACE KIT	A8
35EP1604A01SP	D-FLANGE KIT	

AC Induction Motor Performance Data

Record # 89651

Typical performance - not guaranteed values

Winding: 35WGG112-R001		Type: 3528M		Enclosure: OPEN	
Nameplate Data			200 V, 60 Hz: Single Voltage Motor		
Rated Output (HP)	2	Full Load Torque	5.951 LB-FT		
Volts	200	Start Configuration	direct on line		
Full Load Amps	6	Breakdown Torque	20.7 LB-FT		
R.P.M.	1755	Pull-up Torque	12.2 LB-FT		
Hz	60	Locked-rotor Torque	15.3 LB-FT		
NEMA Design Code	B	Starting Current	50.6 A		
Service Factor (S.F.)	1.15	No-load Current	3.6 A		
NEMA Nom. Eff.	86.5	Line-line Res. @ 25°C	1.8789 Ω		
Rating - Duty	40C AMB-CONT	Temp. Rise @ Rated Load	54°C		
S.F. Amps		Temp. Rise @ S.F. Load	66°C		
		Locked-rotor Power Factor	56.9334		

Load Characteristics 200 V, 60 Hz, 2 HP

% of Rated Load	25	50	75	100	125	150	S.F.
Power Factor	36	57	70	78	83	85	81
Efficiency	78	85.4	86.8	86.4	85.2	83.5	85.7
Speed	1791	1782.3	1773.1	1762.5	1750.9	1738.4	1756
Line amperes	3.8	4.4	5.27	6.37	7.64	9.05	7.13

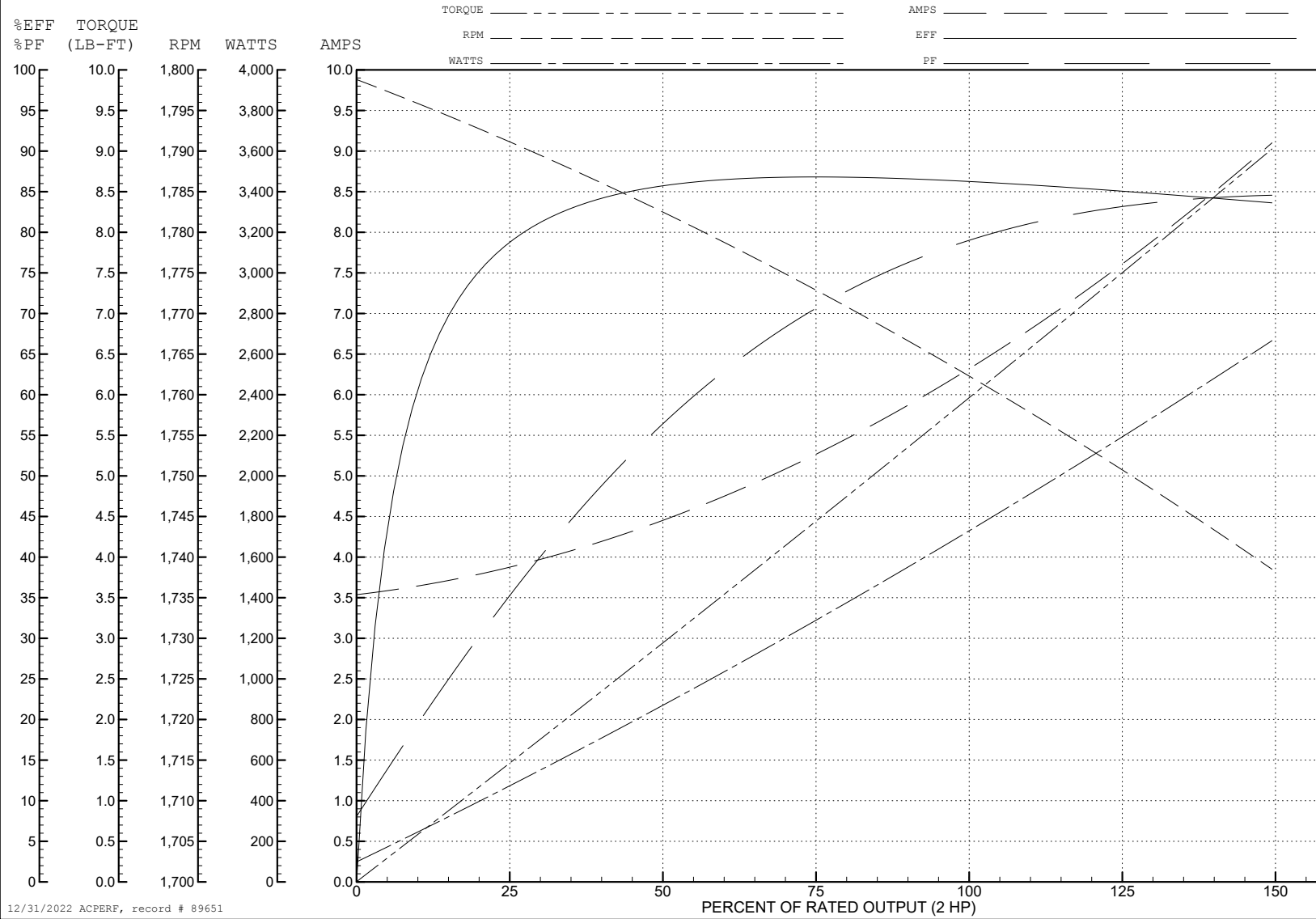
ABB Motors and Mechanical Inc.

WINDING # 35WGG112

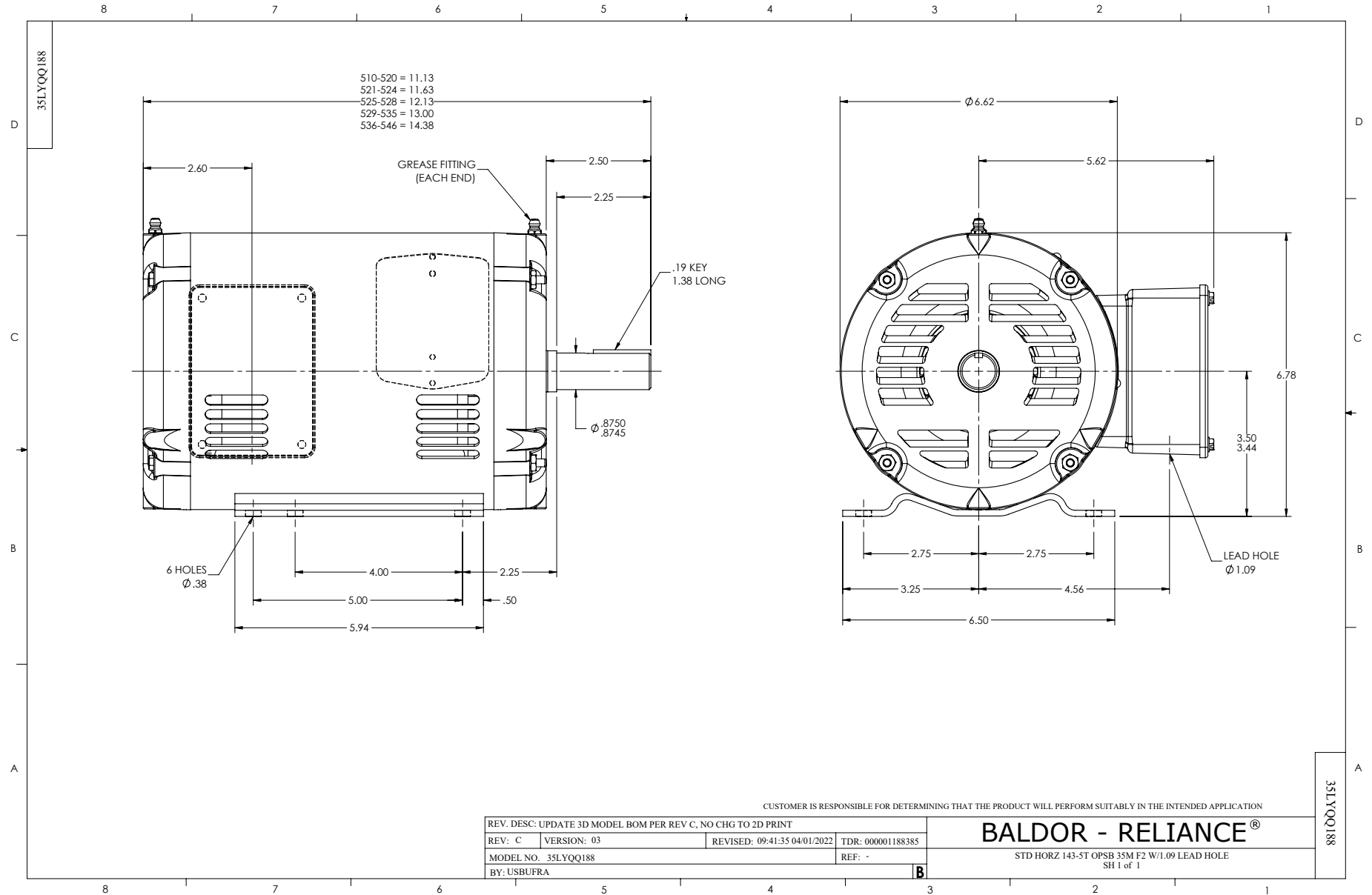
Typical performance - not guaranteed values.

2 HP 3 PH 60 HZ 1755 RPM 200 V 3528M

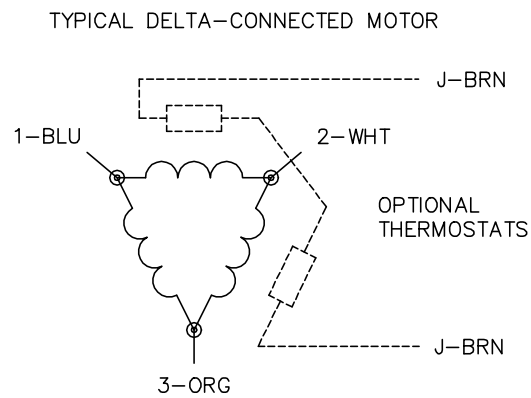
TORQUES (LB-FT): PO=20.7 PU=12.2 LR=15.3 LRA=50.6



12/31/2022 ACPERF, record # 89651



CD0006



NOTES:

1. THREE LEAD MOTOR MAY BE EITHER WYE CONNECTED OR DELTA CONNECTED.
2. INTERCHANGE ANY TWO LINE LEADS TO REVERSE ROTATION.
3. OPTIONAL THERMOSTATS ARE PROVIDED WHEN SPECIFIED.
4. ACTUAL NUMBER OF INTERNAL PARALLEL CIRCUITS MAY VARY.
5. LEAD COLORS ARE OPTIONAL. LEADS MUST BE NUMBERED AS SHOWN.

CD0006

REV. DESC: ADD CLASS CONN00000007		
REV. LTR: E	VERSION: 01	TDR: 000001099922
FILE: \AAA\00005\141	REVISED: 10:24:49 02/19/2019	BY: ENBRIRO
MTL: -	© □	

BALDOR - RELIANCE®

3PH, SV, 3 LEADS, WYE OR DELTA CONNECTED

SH 1 of 1