

BALDOR • RELIANCE

Customer information packet

EBM4103TY

25HP, 1775RPM, 3PH, 60HZ, 284T, 1054M, TEFC, F1

Class - None

Division - Not Applicable

Specifications

Enclosure	TEFC
Frame	284T
Frame Material	Iron
Frequency	60.00 Hz
Motor Letter Type	Three Phase
Output @ Frequency	25.000 HP @ 60 HZ
Phase	3
Synchronous Speed @ Frequency	1800 RPM @ 60 HZ
Voltage @ Frequency	460.0 V @ 60 HZ 230.0 V @ 60 HZ
XP Class and Group	None
XP Division	Not Applicable
Agency Approvals	CSA CSA EEV UR
Ambient Temperature	40 °C
Auxillary Box	No Auxillary Box
Auxillary Box Lead Termination	None
Base Indicator	Rigid
Bearing Grease Type	Polyrex EM (-20F +300F)
Blower	None
Current @ Voltage	62.000 A @ 230.0 V 64.000 A @ 208.0 V 31.000 A @ 460.0 V
Design Code	A
Drip Cover	No Drip Cover
Duty Rating	CONT
Efficiency @ 100% Load	93.6 %
Electrically Isolated Bearing	Not Electrically Isolated
Feedback Device	NO FEEDBACK
Front Face Code	Standard
Front Shaft Indicator	None

Part detail

Revision	H
Type	AC
Mech. spec.	10E491
Base	
Status	PRD/A
Elec. spec.	10WGZ651
Layout	10LYE491
Eff. date	02-21-2022
CD Diagram	CD0180
Poles	04
Leads	9#10 Y
Proprietary	False
Created date	10-19-2017

Heater Indicator	No Heater
High Voltage Full Load Amps	31.0 a
Insulation Class	F
Inverter Code	Inverter Ready
KVA Code	J
Lifting Lugs	Standard Lifting Lugs
Locked Bearing Indicator	Locked Bearing
Motor Lead Exit	Ko Box
Motor Lead Quantity/Wire Size	9 @ 10 AWG
Motor Lead Termination	Flying Leads
Motor Standards	NEMA
Motor Type	1054M
Mounting Arrangement	F1
Number of Poles	4
Overall Length	35.83 IN
Power Factor	81
Product Family	General Purpose
Pulley End Bearing Type	Ball
Pulley Face Code	Standard
Pulley Shaft Indicator	Standard
Rodent Screen	None
Service Factor	1.15
Shaft Diameter	1.875 IN
Shaft Extension Location	Pulley End
Shaft Ground Indicator	No Shaft Grounding
Shaft Rotation	Reversible
Shaft Slinger Indicator	No Slinger
Speed	1775 rpm
Speed Code	Single Speed
Starting Method	Direct on line
Thermal Device - Bearing	NONE (OLD)
Thermal Device - Winding	None
Vibration Sensor Indicator	No Vibration Sensor
Winding Thermal 1	None

Winding Thermal 2

None

Nameplate

NP2138L

CAT.NO.	EBM4103TY	P/N		ENCLOSURE	TEFC
SPEC.	10E491Z651G1	CC	010A	FRAME	284T
HP	25	CLASS	F	HZ	60
RPM	1775	PH	3	DES	A
VOLT	230/460	KVA-CODE	J	ODE BRG	6211
AMP	62/31	USABLE AT 208V	64	DE BRG	6309
RATING	40C AMB-CONT	GREASE	POLYREX EM		
NEMA-NOM-EFF	93.6	PF	81	SER.F.	1.15
HTR-VOLTS	SFA 69/34.5				
HTR-AMPS					

AC Induction Motor Performance Data

Record # 66703

Typical performance - not guaranteed values

Winding: 10WGZ651-R001		Type: 1054M		Enclosure: TEFC	
Nameplate Data			460 V, 60 Hz: High Voltage Connection		
Rated Output (HP)		25	Full Load Torque		74.02 LB-FT
Volts		230/460	Start Configuration		direct on line
Full Load Amps		62/31	Breakdown Torque		262 LB-FT
R.P.M.		1775	Pull-up Torque		118 LB-FT
Hz	60 Phase	3	Locked-rotor Torque		142 LB-FT
NEMA Design Code	A KVA Code	J	Starting Current		223 A
Service Factor (S.F.)		1.15	No-load Current		13.6 A
NEMA Nom. Eff.	93.6 Power Factor	81	Line-line Res. @ 25°C		0.2345 Ω
Rating - Duty		40C AMB-CONT	Temp. Rise @ Rated Load		51°C
S.F. Amps			Temp. Rise @ S.F. Load		61°C
			Locked-rotor Power Factor		30.6

Load Characteristics 460 V, 60 Hz, 25 HP

% of Rated Load	25	50	75	100	125	150	S.F.
Power Factor	43	65	76	81	84	85	83
Efficiency	88.3	92.8	93.9	94	93.7	93.1	93.8
Speed	1794.1	1789.3	1783.5	1777.8	1770.8	1763.8	1774
Line amperes	15.3	19.3	24.6	30.6	37.2	44.5	34.6

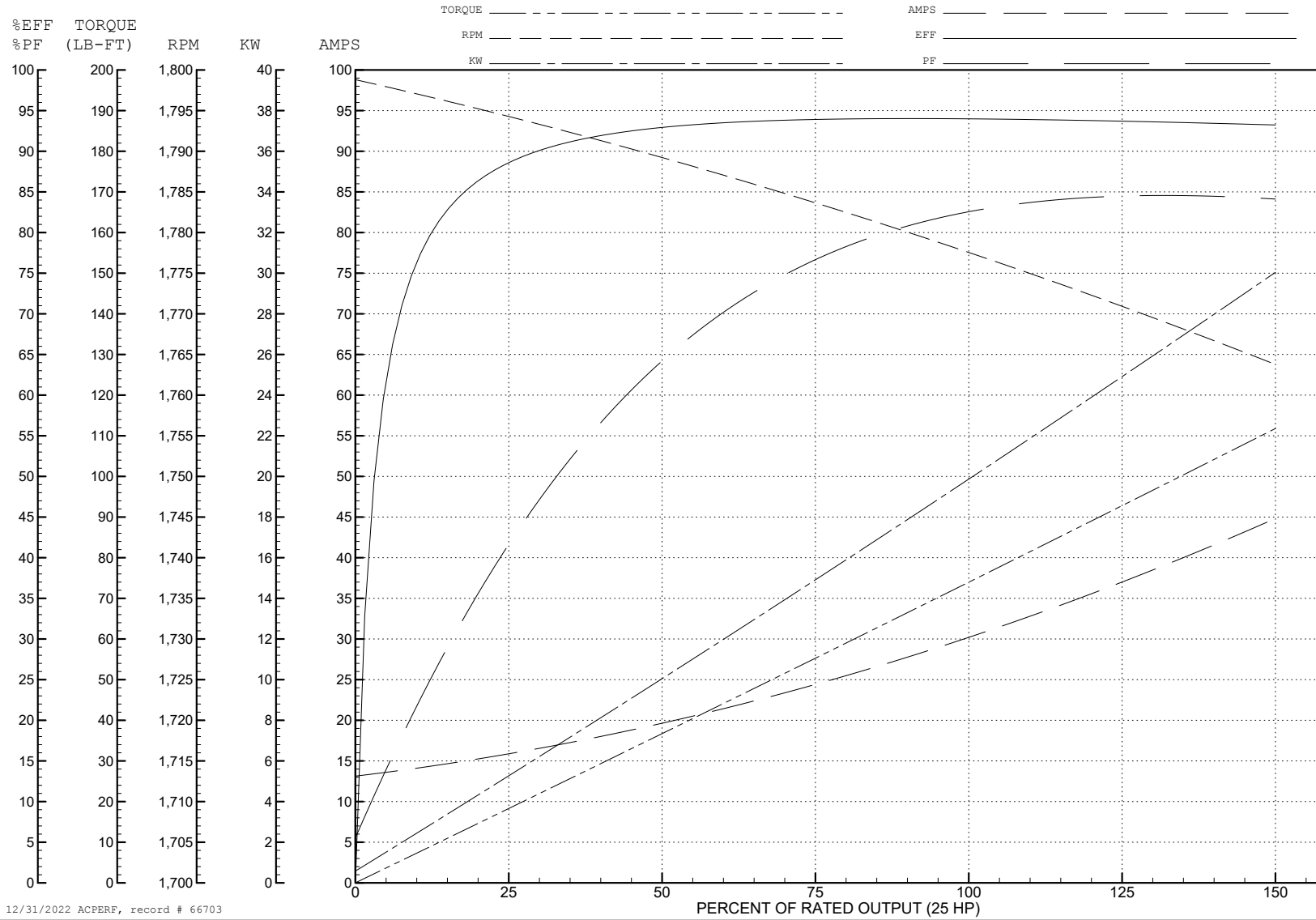
ABB Motors and Mechanical Inc.

WINDING # 10WGZ651

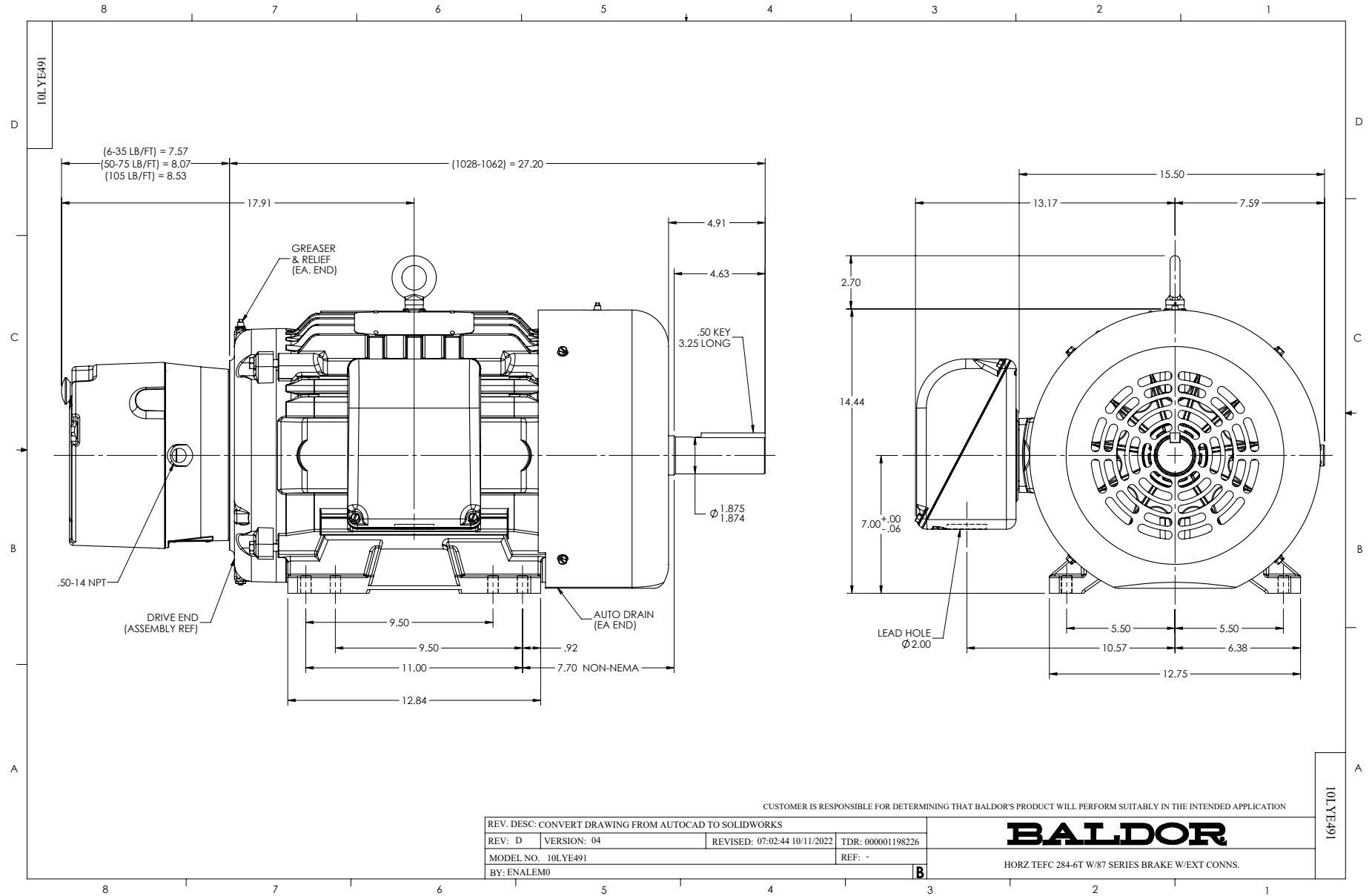
Typical performance - not guaranteed values.

25 HP 3 PH 60 HZ 1775 RPM 460 V 1054M

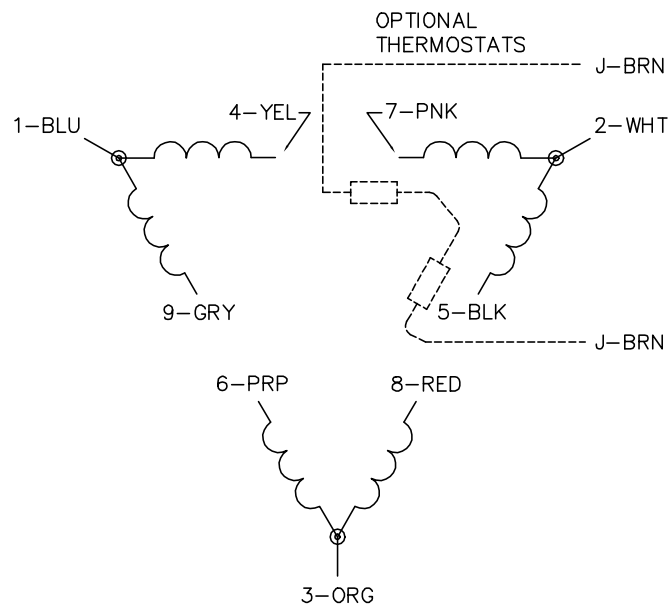
TORQUES (LB-FT): PO=262 PU=118 LR=142 LRA=223



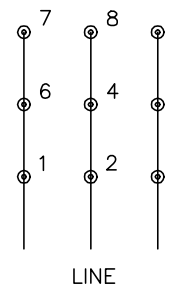
12/31/2022 ACPERF, record # 66703



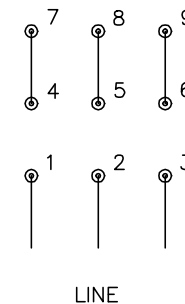
CD0180



LOW VOLTAGE
(2D)



HIGH VOLTAGE
(1D)



NOTES:

1. INTERCHANGE ANY TWO LINE LEADS TO REVERSE ROTATION.
2. OPTIONAL THERMOSTATS ARE PROVIDED WHEN SPECIFIED.
3. ACTUAL NUMBER OF INTERNAL PARALLEL CIRCUITS MAY BE A MULTIPLE OF THOSE SHOWN ABOVE.
4. LEAD COLORS ARE OPTIONAL. LEADS MUST ALWAYS BE NUMBERED AS SHOWN.

CD0180

REV. DESC: ADD CLASS CONN00000007		
REV. LTR: D	VERSION: 01	TDR: 000001099922
FILE: \AAA\00005\148	REVISED: 10: 25: 29 02/19/2019	BY: ENBRIRO
MTL: -	© □	

BALDOR - RELIANCE®

3PH, DV, 9 LEADS, DELTA CONNECTION

SH 1 of 1