

BALDOR • RELIANCE

Customer information packet

CL3712T

10HP, 1740RPM, 1PH, 60HZ, 215TC, 3748LC, TEFC

Class - None

Division - Not Applicable

Specifications

Enclosure	TEFC
Frame	215TC
Frame Material	Steel
Frequency	60.00 Hz
Motor Letter Type	Cap Start, Cap Run
Output @ Frequency	10.000 HP @ 60 HZ
Phase	1
Synchronous Speed @ Frequency	1800 RPM @ 60 HZ
Voltage @ Frequency	230.0 V @ 60 HZ
XP Class and Group	None
XP Division	Not Applicable
Agency Approvals	UR CSA
Ambient Temperature	40 °C
Auxillary Box	No Auxillary Box
Auxillary Box Lead Termination	None
Base Indicator	Rigid
Bearing Grease Type	Polyrex EM (-20F +300F)
Blower	None
Current @ Voltage	38.000 A @ 230.0 V
Design Code	L
Drip Cover	No Drip Cover
Duty Rating	CONT
Efficiency @ 100% Load	86.5 %
Electrically Isolated Bearing	Not Electrically Isolated
Feedback Device	NO FEEDBACK
Front Face Code	Standard
Front Shaft Indicator	None
Heater Indicator	No Heater
High Voltage Full Load Amps	38.0 a
Insulation Class	F
Inverter Code	Not Inverter

Part detail

Revision	Q
Type	AC
Mech. spec.	37M317
Base	
Status	PRD/A
Elec. spec.	37WGT875
Layout	37LYM317
Eff. date	05-16-2022
CD Diagram	CD1084
Poles	04
Leads	2#10 A PH,2#14 B PH
Proprietary	False
Created date	02-05-2010

KVA Code	F
Lifting Lugs	Standard Lifting Lugs
Locked Bearing Indicator	Locked Bearing
Motor Lead Exit	Cap Box
Motor Lead Quantity/Wire Size	2 @ 10 AWG, A PH
Motor Lead Termination	Flying Leads
Motor Standards	NEMA
Motor Type	3748LC
Mounting Arrangement	F1
Number of Poles	4
Overall Length	21.25 IN
Power Factor	98
Product Family	General Purpose
Pulley End Bearing Type	Ball
Pulley Face Code	C-Face
Pulley Shaft Indicator	Standard
Rodent Screen	None
Service Factor	1.00
Shaft Diameter	1.375 IN
Shaft Extension Location	Pulley End
Shaft Ground Indicator	No Shaft Grounding
Shaft Rotation	Reversible
Shaft Slinger Indicator	No Slinger
Speed	1740 rpm
Speed Code	Single Speed
Starting Method	Direct on line
Thermal Device - Bearing	None
Thermal Device - Winding	None
Vibration Sensor Indicator	No Vibration Sensor
Winding Thermal 1	None
Winding Thermal 2	None

Nameplate

NP1256L									
CAT.NO.	CL3712T								
SPEC.	37M317T875								
HP	10								
VOLTS	208-230								
AMP	40-38								
RPM	1740								
FRAME	215TC		HZ	60		PH	1		
SER.F.	1.00	CODE	F	DES	L	CLASS	F		
NEMA-NOM-EFF	86.5	PF	98						
RATING	40C AMB-CONT								
CC		USABLE AT 208V							
DE	6307	ODE	6206						
ENCL	TEFC	SN							

AC Induction Motor Performance Data

Record # 55958

Typical performance - not guaranteed values

Winding: 37WGT875-R014		Type: 3748LC	Enclosure: TEFC	
Nameplate Data			230 V, 60 Hz: Single Voltage Motor	
Rated Output (HP)	10	Full Load Torque	29.8 LB-FT	
Volts	208-230	Start Configuration	direct on line	
Full Load Amps	40-38	Breakdown Torque	84 LB-FT	
R.P.M.	1740	Pull-up Torque	56.4 LB-FT	
Hz	60 Phase	1	Locked-rotor Torque	76.8 LB-FT
NEMA Design Code	L KVA Code	F	Starting Current	234 A
Service Factor (S.F.)		1	No-load Current	4.37 A
NEMA Nom. Eff.	86.5 Power Factor	98	Line-line Res. @ 25°C	0.239 Ω A Ph 0.65 Ω B Ph
Rating - Duty	40C AMB-CONT		Temp. Rise @ Rated Load	96°C
			Locked-rotor Power Factor	95.5
			Rotor inertia	1.18 LB-FT ²

Load Characteristics 230 V, 60 Hz, 10 HP

% of Rated Load	25	50	75	100	125	150
Power Factor	96	98	98	98	97	95
Efficiency	75.4	86.2	87.7	86.8	84.1	79.4
Speed	1788	1775	1759	1741	1720	1696
Line amperes	10.7	18.9	28	37.7	49.1	64.9

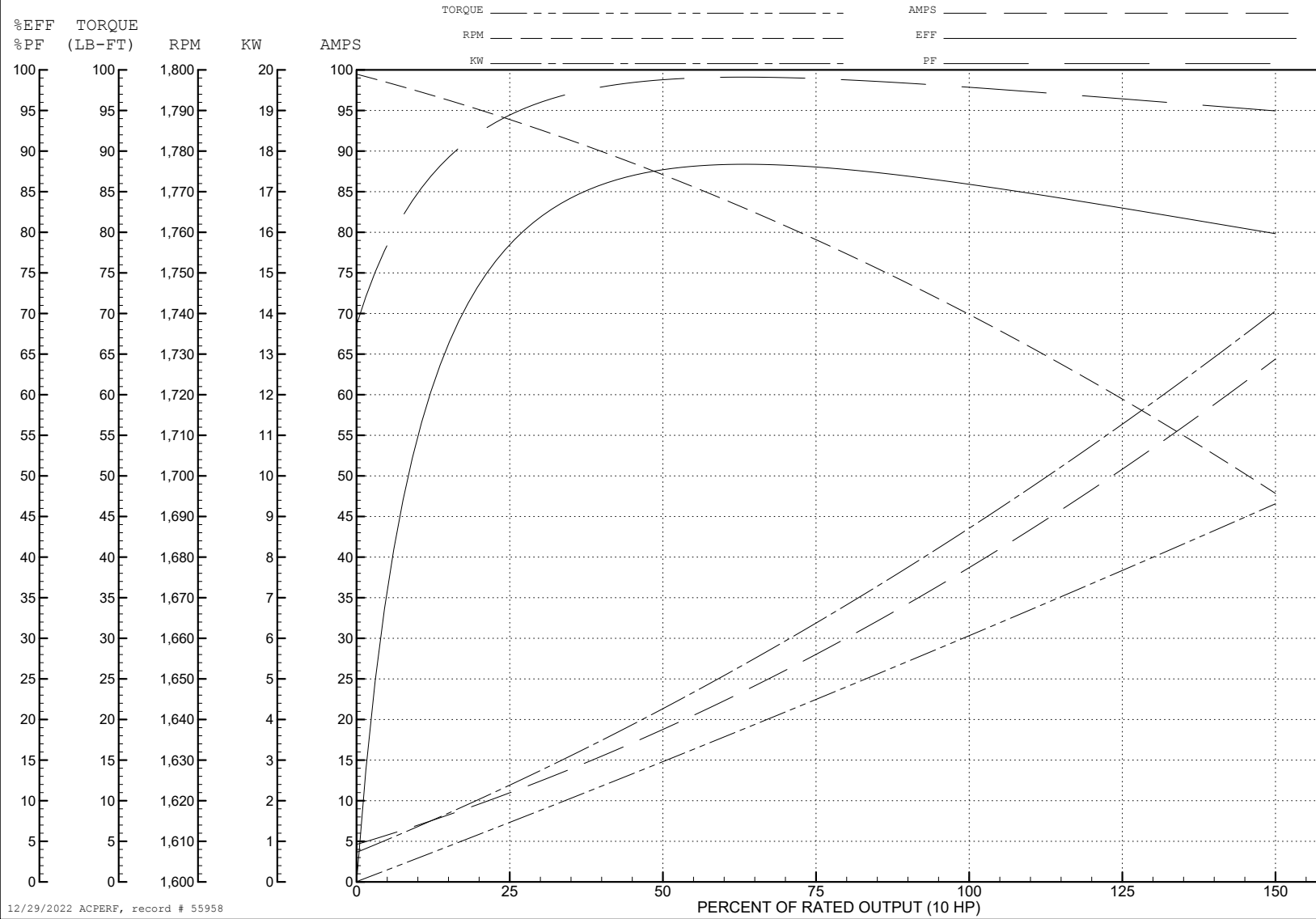
ABB Motors and Mechanical Inc.

WINDING # 37WGT875

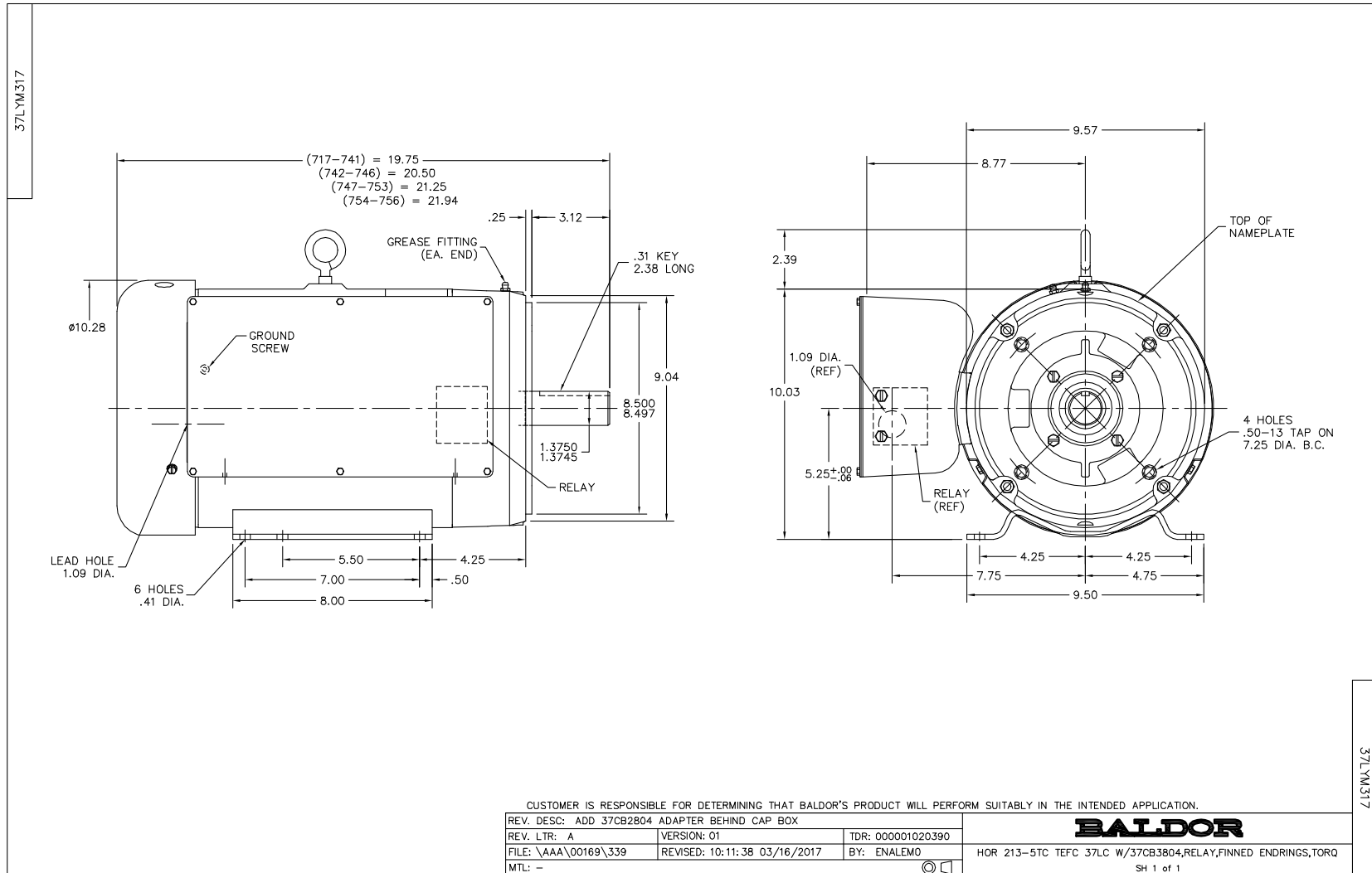
Typical performance - not guaranteed values.

10 HP 1 PH 60 HZ 1740 RPM 230 V 3748LC

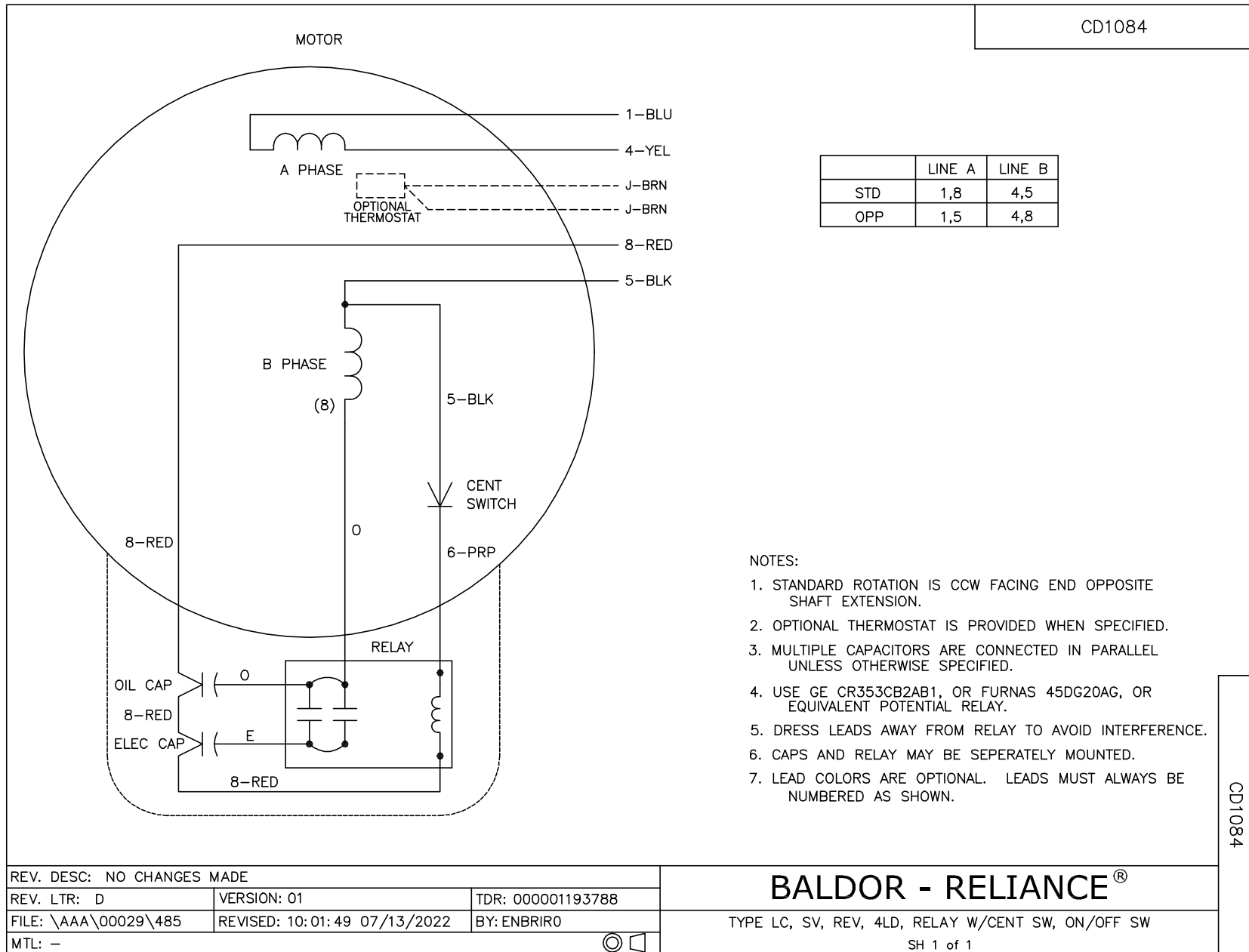
TORQUES (LB-FT): PO=84 PU=56.4 LR=76.8 LRA=234



12/29/2022 ACPERF, record # 55958



CD1084



	LINE A	LINE B
STD	1,8	4,5
OPP	1,5	4,8

NOTES:

1. STANDARD ROTATION IS CCW FACING END OPPOSITE SHAFT EXTENSION.
2. OPTIONAL THERMOSTAT IS PROVIDED WHEN SPECIFIED.
3. MULTIPLE CAPACITORS ARE CONNECTED IN PARALLEL UNLESS OTHERWISE SPECIFIED.
4. USE GE CR353CB2AB1, OR FURNAS 45DG20AG, OR EQUIVALENT POTENTIAL RELAY.
5. DRESS LEADS AWAY FROM RELAY TO AVOID INTERFERENCE.
6. CAPS AND RELAY MAY BE SEPERATELY MOUNTED.
7. LEAD COLORS ARE OPTIONAL. LEADS MUST ALWAYS BE NUMBERED AS SHOWN.

CD1084

REV. DESC: NO CHANGES MADE		
REV. LTR: D	VERSION: 01	TDR: 000001193788
FILE: \AAA\00029\485	REVISED: 10:01:49 07/13/2022	BY: ENBRIRO
MTL: -		

BALDOR - RELIANCE®

TYPE LC, SV, REV, 4LD, RELAY W/CENT SW, ON/OFF SW
SH 1 of 1