

BALDOR • RELIANCE

Customer information packet

CL3612TM

5HP, 1725RPM, 1PH, 60HZ, 184TC, 3646LC, TEFC

Class - None

Division - Not Applicable

Specifications

Enclosure	TEFC
Frame	184TC
Frame Material	Steel
Frequency	60.00 Hz
Motor Letter Type	Cap Start, Cap Run
Output @ Frequency	5.000 HP @ 60 HZ
Phase	1
Synchronous Speed @ Frequency	1800 RPM @ 60 HZ
Voltage @ Frequency	230.0 V @ 60 HZ
XP Class and Group	None
XP Division	Not Applicable
Agency Approvals	UR CSA
Ambient Temperature	40 °C
Auxillary Box	No Auxillary Box
Auxillary Box Lead Termination	None
Base Indicator	Rigid
Bearing Grease Type	Polyrex EM (-20F +300F)
Blower	None
Current @ Voltage	23.000 A @ 230.0 V
Design Code	L
Drip Cover	No Drip Cover
Duty Rating	CONT
Efficiency @ 100% Load	80.0 %
Electrically Isolated Bearing	Not Electrically Isolated
Feedback Device	NO FEEDBACK
Front Face Code	Standard
Front Shaft Indicator	None
Heater Indicator	No Heater
High Voltage Full Load Amps	23.0 a
Insulation Class	F
Inverter Code	Not Inverter

Part detail

Revision	AT
Type	AC
Mech. spec.	36F189
Base	
Status	PRD/A
Elec. spec.	36WGW279
Layout	36LYF189
Eff. date	05-16-2022
CD Diagram	CD0152
Poles	04
Leads	2#10 A PH,3#16 B&J
Proprietary	False
Created date	01-01-0001

KVA Code	J
Lifting Lugs	No Lifting Lugs
Locked Bearing Indicator	Locked Bearing
Motor Lead Exit	Ko Box
Motor Lead Quantity/Wire Size	2 @ 10 AWG, A PH
Motor Lead Termination	Flying Leads
Motor Standards	NEMA
Motor Type	3646LC
Mounting Arrangement	F1
Number of Poles	4
Overall Length	18.05 IN
Power Factor	88
Product Family	General Purpose
Pulley End Bearing Type	Ball
Pulley Face Code	C-Face
Pulley Shaft Indicator	Standard
Rodent Screen	None
Service Factor	1.00
Shaft Diameter	1.125 IN
Shaft Extension Location	Pulley End
Shaft Ground Indicator	No Shaft Grounding
Shaft Rotation	Reversible
Shaft Slinger Indicator	No Slinger
Speed	1725 rpm
Speed Code	Single Speed
Starting Method	Direct on line
Thermal Device - Bearing	None
Thermal Device - Winding	Do Not Use
Vibration Sensor Indicator	No Vibration Sensor
Winding Thermal 1	Manual Thermal Overload
Winding Thermal 1 Location	KO
Winding Thermal 2	None

Nameplate

NP1257L									
CAT.NO.	CL3612TM								
SPEC.	36F189W279								
HP	5								
VOLTS	208-230								
AMP	23.6-23								
RPM	1725								
FRAME	184TC		HZ	60		PH	1		
SER.F.	1.00	CODE	J	DES	L	CL	F		
NEMA-NOM-EFF	80	PF	88						
RATING	40C AMB-CONT								
CC				USABLE AT 208V			23.6		
DE	6206	ODE	6205						
ENCL	TEFC	SN							

AC Induction Motor Performance Data

Record # 31833

Preliminary Data Sheet

Winding: 36WGW279-R003		Type: 3646LC	Enclosure: TEFC	
Nameplate Data			208 V, 60 Hz: Single Voltage Motor	
Rated Output (HP)	5	Full Load Torque	15.1 LB-FT	
Volts	208-230	Start Configuration	direct on line	
Full Load Amps	23.6-23	Breakdown Torque	34.5 LB-FT	
R.P.M.	1725	Pull-up Torque	29.6 LB-FT	
Hz	60 Phase	1	Locked-rotor Torque	37.9 LB-FT
NEMA Design Code	L KVA Code	J	Starting Current	146 A
Service Factor (S.F.)		1	No-load Current	6.67 A
NEMA Nom. Eff.	80 Power Factor	88	Line-line Res. @ 25°C	0.349 Ω A Ph 1.42 Ω B Ph
Rating - Duty	40C AMB-CONT		Temp. Rise @ Rated Load	92°C

Load Characteristics 208 V, 60 Hz, 5 HP

% of Rated Load	25	50	75	100	125	150
Power Factor	64	88	88	92	94	93
Efficiency	70.7	79.5	83.4	81.5	78.7	73.4
Speed	1784	1765	1743	1721	1697	1662
Line amperes	10.2	12.9	18.4	23.6	29.6	37.8

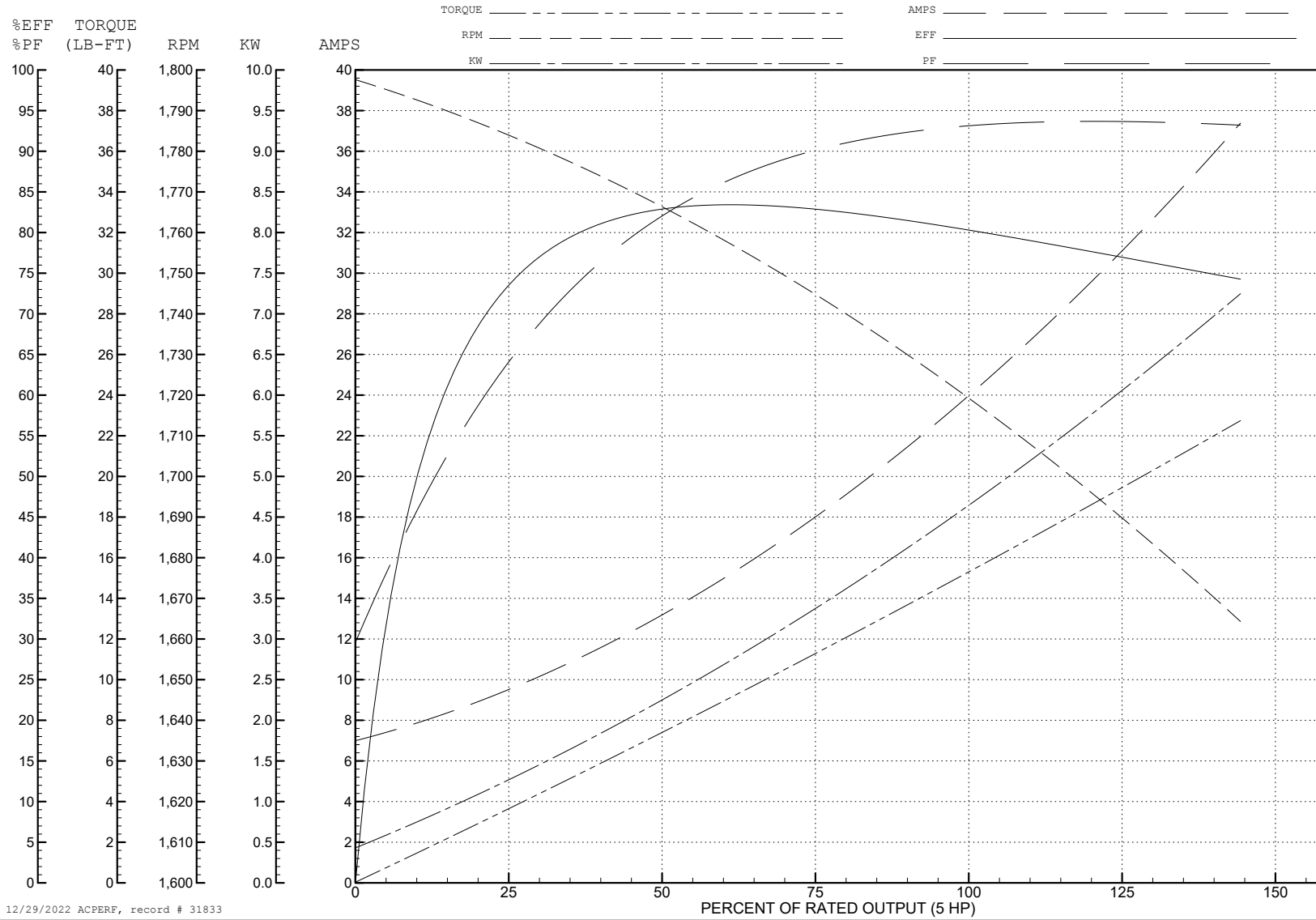
ABB Motors and Mechanical Inc.

WINDING # 36WGW279

Typical performance - not guaranteed values.

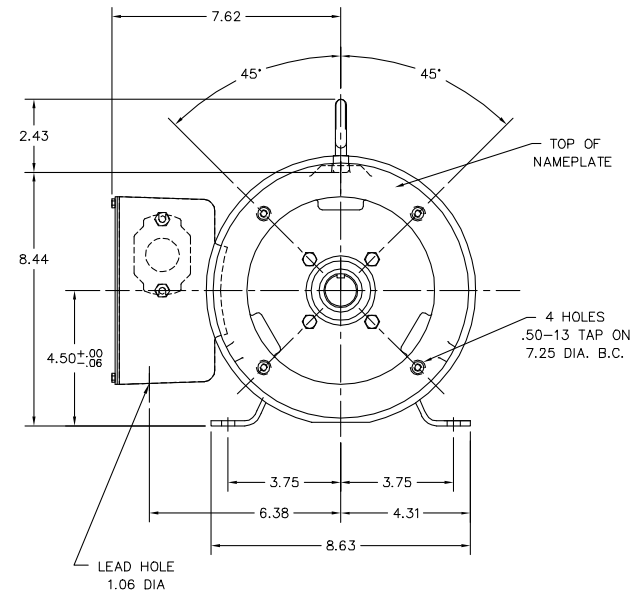
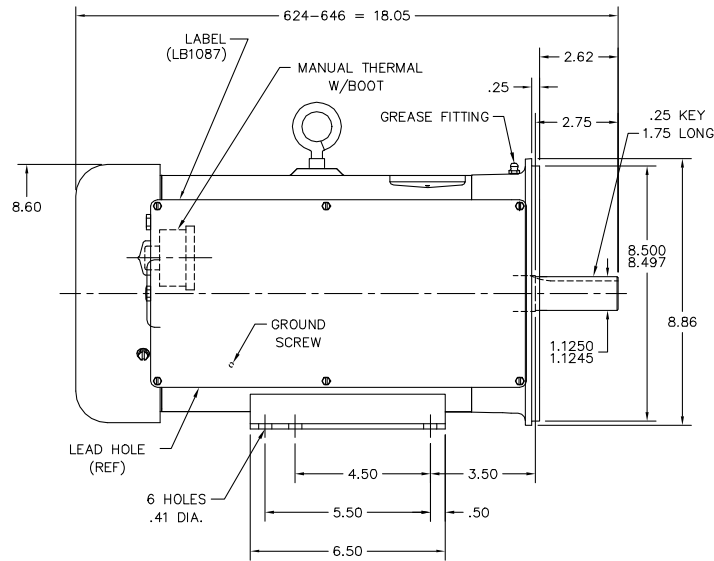
5 HP 1 PH 60 HZ 1725 RPM 208 V 3646LC

TORQUES (LB-FT): PO=34.5 PU=29.6 LR=37.9 LRA=146



12/29/2022 ACPERF, record # 31833

36LYF189



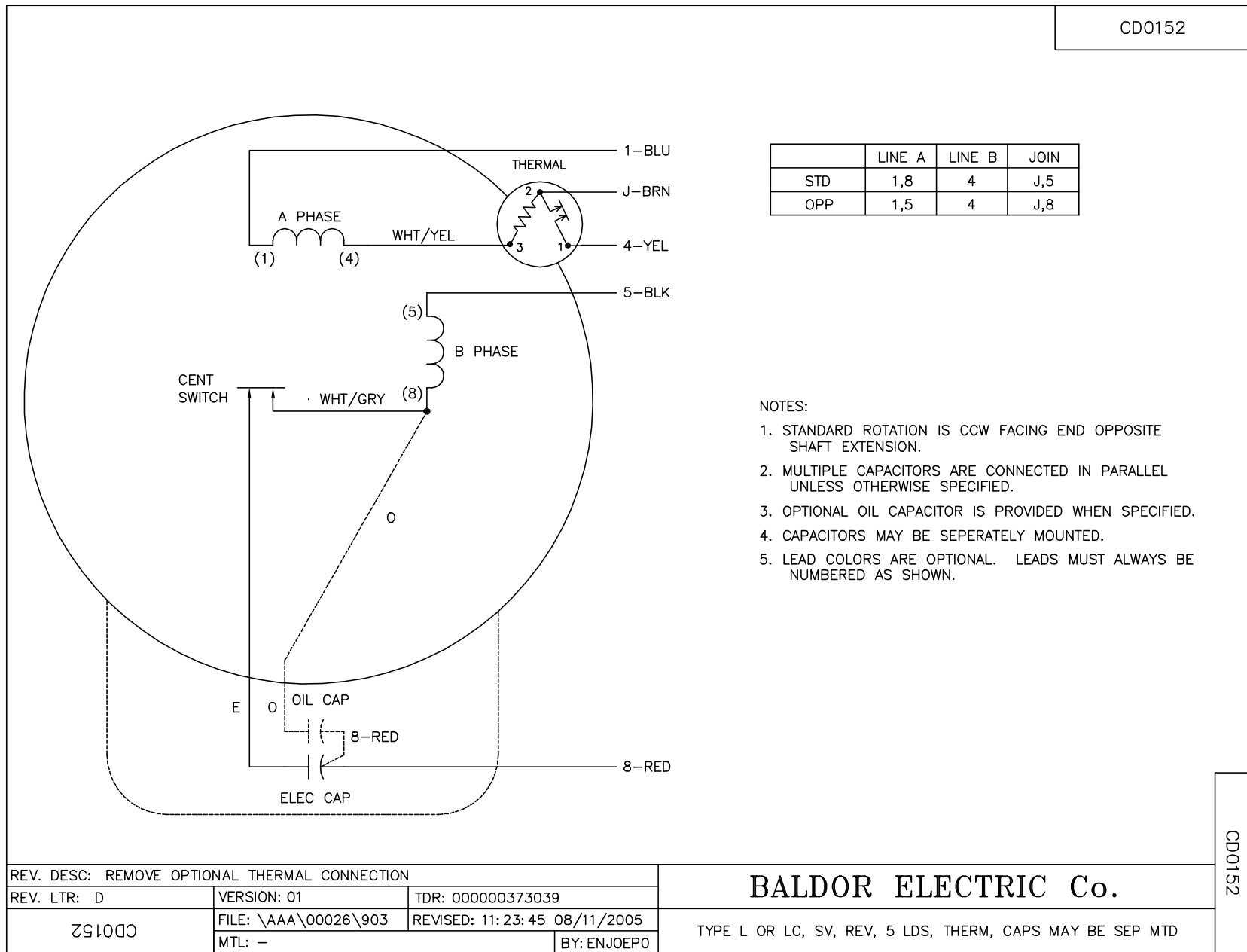
36LYF189

CUSTOMER IS RESPONSIBLE FOR DETERMINING THAT BALDOR'S PRODUCT WILL PERFORM SUITABLY IN THE INTENDED APPLICATION.

REV. DESC: CHANGE STACK FROM 640-646 TO 624-646 TO MATCH BAND		
REV. LTR: V	VERSION: 03	TDR: 000001079436
FILE: \AAA\00012\618	REVISED: 04:00:44 07/26/2018	BY: ENALEMO
MTL: -		

BALDOR - RELIANCE[®]
 HORZ 182-4TC TEFC 36LC W/TYPE LE-MTO
 SH 1 of 1

CD0152



REV. DESC: REMOVE OPTIONAL THERMAL CONNECTION		
REV. LTR: D	VERSION: 01	TDR: 000000373039
ZG100	FILE: \AAA\00026\903	REVISED: 11: 23: 45 08/11/2005
	MTL: -	BY: ENJOEPO

BALDOR ELECTRIC Co.

TYPE L OR LC, SV, REV, 5 LDS, THERM, CAPS MAY BE SEP MTD

CD0152