

BALDOR • RELIANCE

Customer information packet

CEM4400T

100HP, 1785RPM, 3PH, 60HZ, 405TC, TEFC, F1

Class - None

Division - Not Applicable

Copyright © All product information within this document is subject to ABB Motors and Mechanical Inc. copyright © protection, unless otherwise noted.

12/28/2022 11:55:36 AM

Specifications

Enclosure	TEFC
Frame	405TC
Frame Material	Iron
Frequency	60.00 Hz
Motor Letter Type	Three Phase
Output @ Frequency	100.000 HP @ 60 HZ
Phase	3
Synchronous Speed @ Frequency	1800 RPM @ 60 HZ
Voltage @ Frequency	230.0 V @ 60 HZ 460.0 V @ 60 HZ
XP Class and Group	None
XP Division	Not Applicable
Agency Approvals	CSA EEV CCSA US
Ambient Temperature	40 °C
Auxillary Box	No Auxillary Box
Base Indicator	Rigid
Bearing Grease Type	Polyrex EM (-20F +300F)
Current @ Voltage	224.000 A @ 230.0 V 112.000 A @ 460.0 V
Design Code	B
Drip Cover	No Drip Cover
Duty Rating	CONT
Efficiency @ 100% Load	95.4 %
Feedback Device	NO FEEDBACK
Heater Indicator	No Heater
High Voltage Full Load Amps	112.0 a
Insulation Class	B
Inverter Code	Inverter Ready
KVA Code	G
Motor Lead Quantity/Wire Size	3 @ 2 AWG
Motor Standards	NEMA

Part detail

Revision	H
Type	AC
Mech. spec.	
Base	
Status	PRD/A
Elec. spec.	A40WGO692
Layout	617429-739
Eff. date	10-22-2021
CD Diagram	416820-002
Poles	04
Leads	3#2,6#4
Proprietary	False
Created date	03-27-2017

Motor Type	A40064M
Mounting Arrangement	F1
Number of Poles	4
Overall Length	38.19 IN
Power Factor	87
Product Family	General Industrial
Pulley End Bearing Type	Ball
Pulley Face Code	C-Face
Service Factor	1.15
Shaft Ground Indicator	No Shaft Grounding
Shaft Rotation	Reversible
Shaft Slinger Indicator	No Slinger
Speed	1785 rpm
Speed Code	Single Speed
Starting Method	Direct on line
Thermal Device - Bearing	None
Thermal Device - Winding	None

Nameplate

NP2496L	
MOBIL POLYREX EM	

NP2383L

CAT.NO.	CEM4400T	SPEC NO.	A40-7234-0692						
HP	100	AMPS	224/112	VOLTS	230/460	DESIGN	B		
FRAME	405TC	RPM	1785	HZ	60	AMB	40	SF	1.15
DRIVE END BEARING	80BC03J30X	PHASE	3	DUTY	CONT	INSUL.CLASS	F		
OPP D.E. BEARING	80BC03J30X	TYPE	P	ENCL	TEFC	CODE	G		
SER.NO.		POWER FACTOR	87	NEMA-NOM-EFFICIENCY	95.4				
NEMA NOM/CSA QUOTED EFF		MAX CORR KVAR	18	GUARANTEED EFFICIENCY	94.5				
		MOTOR WEIGHT							

617429-739

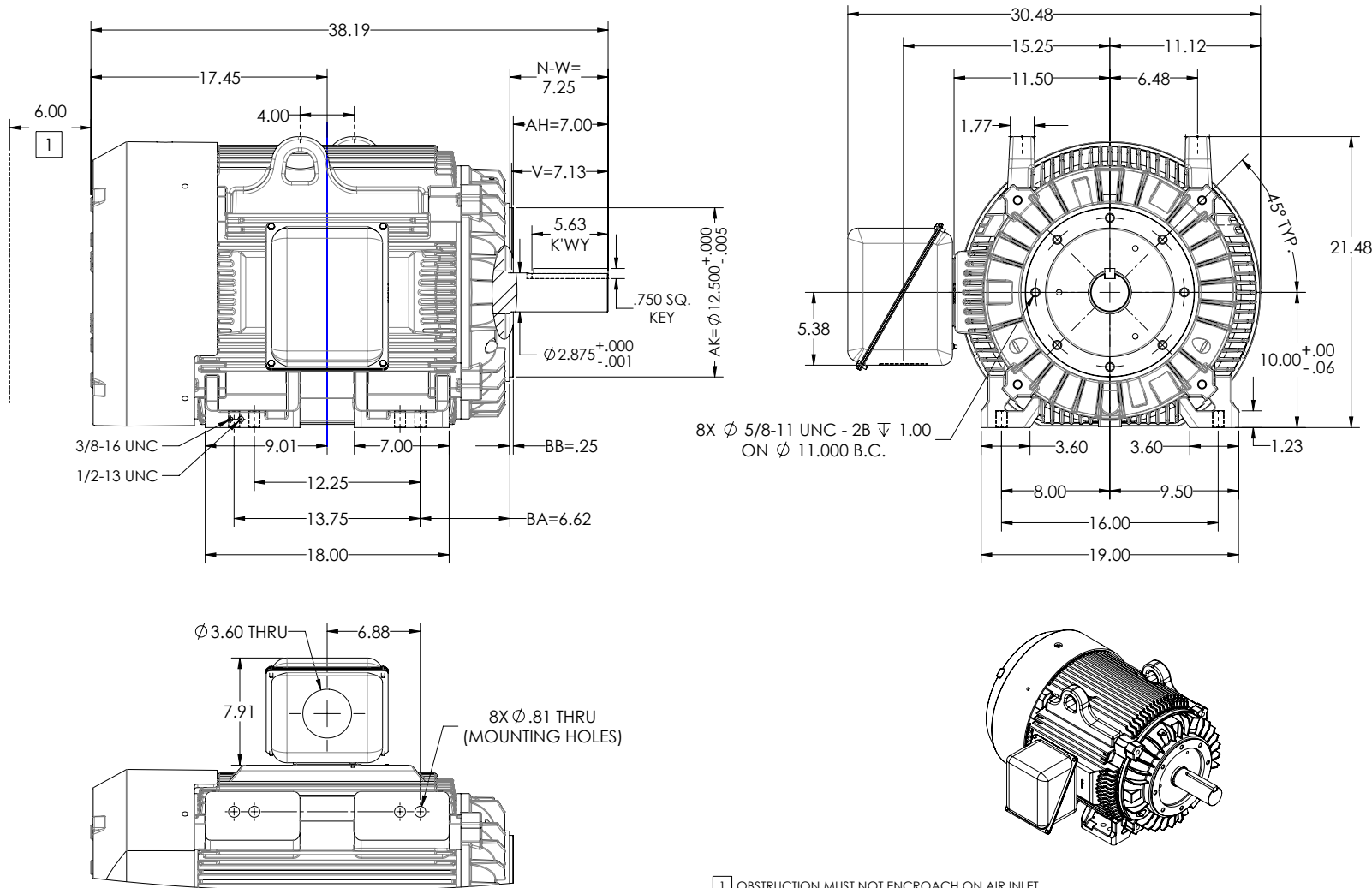
DUTY MASTER ALTERNATING CURRENT MOTORS
SQUIRREL-CAGE INDUCTION

ENCLOSURE: TOTALLY ENCLOSED

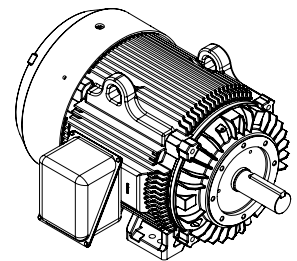
COOLING: FAN COOLED

MOUNTING: FOOT, F-1

G405TC/G404TC FRAME MOUNTING HOLES



8X Ø 5/8-11 UNC - 2B ∇ 1.00
ON Ø 11.000 B.C.



1 OBSTRUCTION MUST NOT ENCR OACH ON AIR INLET

MAX FACE RUNOUT AND FIT ECCENTRICITY = 0.007 T.I.R.
 IF MOUNTING CLEARANCE DETAILS ARE REQUIRED, CONSULT FACTORY.
 MAXIMUM PERMISSIBLE SHAFT RUNOUT WHEN MEASURED AT END OF STANDARD
 SHAFT EXTENSION IS .003" T.I.R.

DIMENSIONS ARE IN INCHES.
 WEIGHT (LBS): 1350. MOTOR WEIGHTS MAY VARY BY 15% DEPENDING ON RATING.
 CUSTOMER IS RESPONSIBLE FOR DETERMINING THAT MOTOR PERFORMANCE IS SUITABLE IN THE APPLICATION.

SHEET NUMBER
1 OF 1
6EL-627219

REV. -	VERSION: 00	REVISED: 08/41/59 06/13/2016	TDR: 00000981952
MODEL NO.	617429-739	REF:	
BY: USJEDIL	Material:		

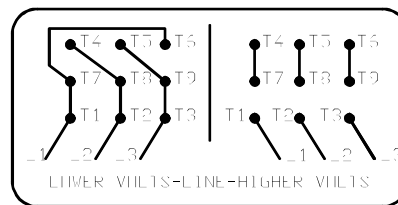
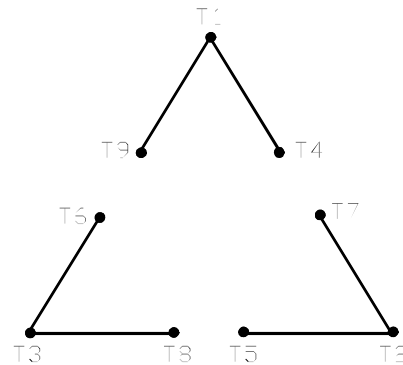
BALDOR

G405TC/G404TC TEFC F1 FOOTED SIDE/CENTER STEEL C/BOX

617429-739

416820-002

A-C MOTOR
 CONNECTION DIAGRAM
 STANDARD 9 LEAD DELTA-CONNECTED



(N.P. 1575-B)

416820-002

REV. DESC: FONT CHANGE FOR PDF SEARCHABLE		
REV. LTR: A	VERSION: 01	TDR: 000001009382
FILE: \MGA\00000\661	REVISED: 02:46:19 02/13/2020	BY: MGHMTT
MTL: -	© □	

BALDOR - RELIANCE®

CONN DIAG - STANDARD 9 LEAD, DELTA-CONNECTED

SH 1 of 1